



US00D824876S

(12) **United States Design Patent**  
**Wei et al.**

(10) **Patent No.:** **US D824,876 S**

(45) **Date of Patent:** **\*\* Aug. 7, 2018**

(54) **EARPHONE COMPONENT**

D767,532 S \* 9/2016 Jen ..... D14/205  
D774,490 S \* 12/2016 Lin ..... D14/205  
D776,083 S \* 1/2017 Lee ..... D14/205

(Continued)

(71) Applicant: **LIBRATONE A/S**, Nordhavn (DK)

(72) Inventors: **Wang Wei**, Beijing (CN); **Zhang Jie**,  
Beijing (CN)

(73) Assignee: **Libratone A/S**, Nordhavn (DK)

(\*\*) Term: **15 Years**

(21) Appl. No.: **35/502,138**

(22) Filed: **Jun. 22, 2016**

(80) **Hague Agreement Data**

Int. Filing Date: **Jun. 22, 2016**

Int. Reg. No.: **DM/093125**

Int. Reg. Date: **Jun. 22, 2016**

Int. Reg. Pub. Date: **Dec. 23, 2016**

(30) **Foreign Application Priority Data**

Dec. 23, 2015 (CN) ..... 2015 3 0551360

(51) **LOC (11) Cl.** ..... **14-01**

(52) **U.S. Cl.**

USPC ..... **D14/205**; D14/206

(58) **Field of Classification Search**

USPC ..... D14/205-206; D29/112

CPC .... H04R 1/1066; H04R 1/1016; H04R 25/00;

H04R 1/10; H04R 5/0335; H04R 5/033

See application file for complete search history.

(56) **References Cited**

U.S. PATENT DOCUMENTS

D687,410 S \* 8/2013 Fletcher ..... D14/205

D722,040 S \* 2/2015 Tan ..... D14/205

D739,377 S \* 9/2015 Yeom ..... D14/205

D741,287 S \* 10/2015 Harata ..... D14/205

D763,222 S \* 8/2016 Tang ..... D14/205

D764,436 S \* 8/2016 Dryden ..... D14/205

OTHER PUBLICATIONS

Bose-QuietComfort20(QC20) headphones, exact date unknown,  
dated at least as early as in Oct. 2013.

(Continued)

*Primary Examiner* — Michael A. Pratt

(74) *Attorney, Agent, or Firm* — Margaret Polson; Polson  
Intellectual Property Law, PC

(57) **CLAIM**

The ornamental design for an earphone component, as  
shown and described.

**DESCRIPTION**

Figure 1.1 is a perspective view of one earphone component.

Figure 1.2 is a front side elevation view of Figure 1.1

Figure 1.3 is a back side elevation view of Figure 1.1

Figure 1.4 is a left side elevation view of Figure 1.1

Figure 1.5 is a right side elevation view of Figure 1.1

Figure 1.6 is a top side plan view of Figure 1.1

Figure 1.7 is a bottom side plan view of Figure 1.1

Figure 1.8 is a reference view of the earphone component as  
configured for use.

Figure 4.1 is a front side elevation view of one earphone  
component

Figure 4.2 is a back side elevation view of Figure 4.1

Figure 4.3 is left side elevation view of Figure 4.1

Figure 4.4 is a right side elevation view of Figure 4.1

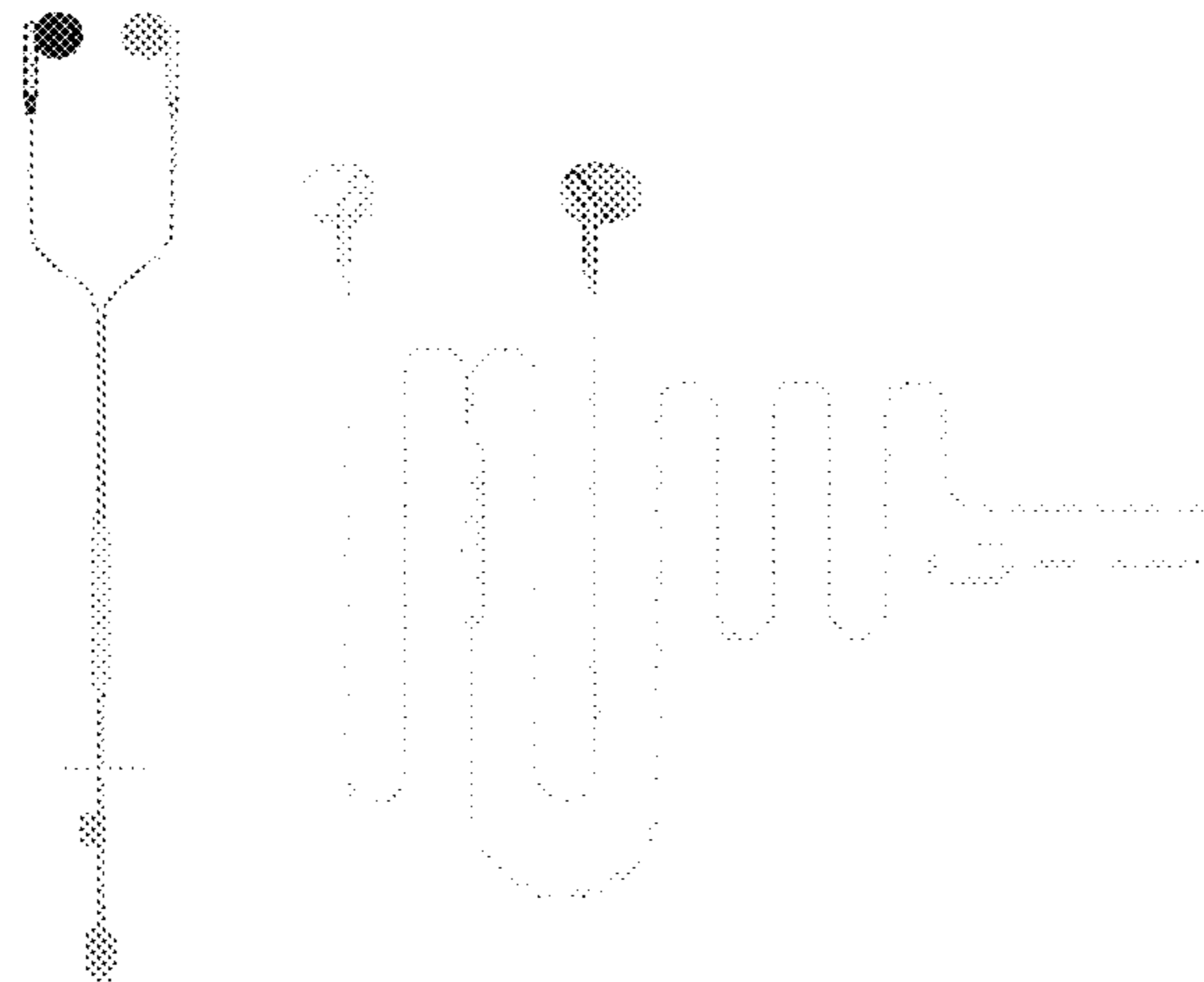
Figure 4.5 is a top side plan view of Figure 4.1

Figure 4.6 a bottom view of Figure 4.1.

Figure 4.7 is perspective view of Figure 4.1.

Figure 4.8 is a reference view of the earphone component as  
configured for use.

(Continued)



The faded areas in Figures 1.8, 1.9 and 4.8 are reference views thereof and show environmental matter showing the designs in use, and form no part of the claimed designs.

**1 Claim, 17 Drawing Sheets**

(56) **References Cited**

U.S. PATENT DOCUMENTS

D777,138	S	*	1/2017	Fletcher	.....	D14/205
D777,139	S	*	1/2017	Fletcher	.....	D14/205
D780,155	S	*	2/2017	Levine	.....	D14/205
D780,714	S	*	3/2017	Vogt, Jr.	.....	D14/205
D782,442	S	*	3/2017	Chen	.....	D14/205
D782,997	S	*	4/2017	Shin	.....	D14/205
D782,998	S	*	4/2017	Shin	.....	D14/205
D796,473	S	*	9/2017	Kim	.....	D14/205
D796,475	S	*	9/2017	Wang	.....	D14/205

OTHER PUBLICATIONS

B&O(Bang & Olufsen)—BeoPlay H3 headphones, exact date unknown, dated at least as early as in Jul. 2013.

\* cited by examiner

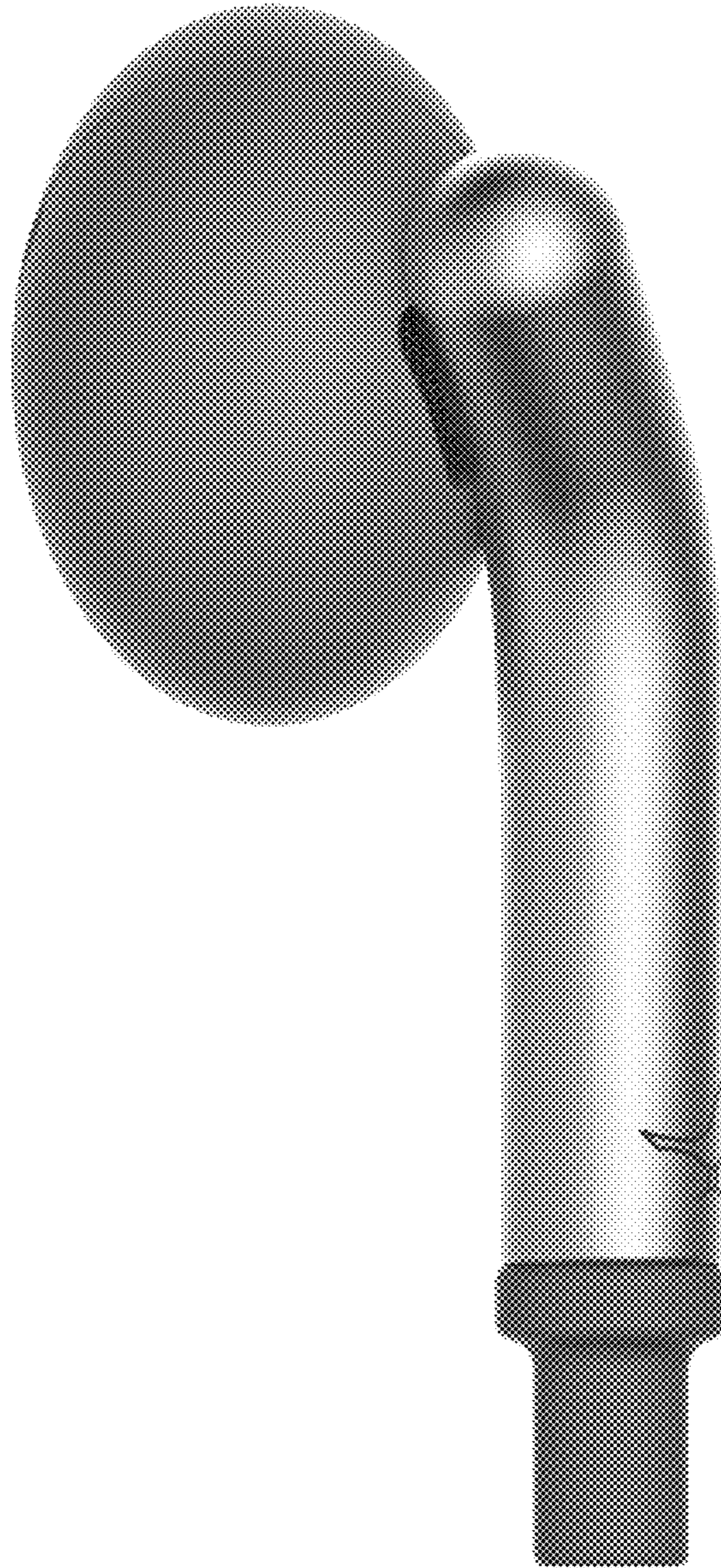
1.1



1.2



1.3



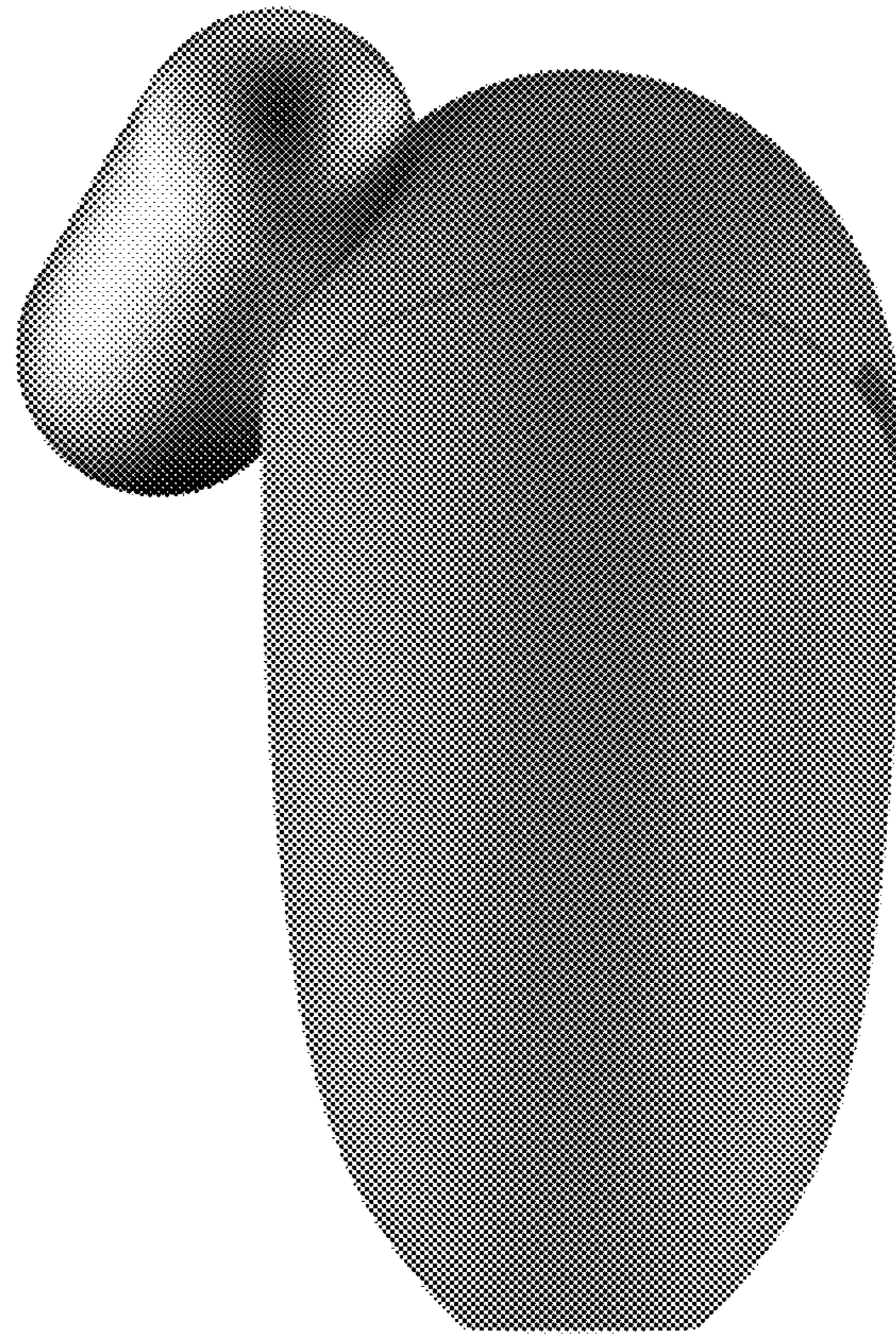
1.4



1.5

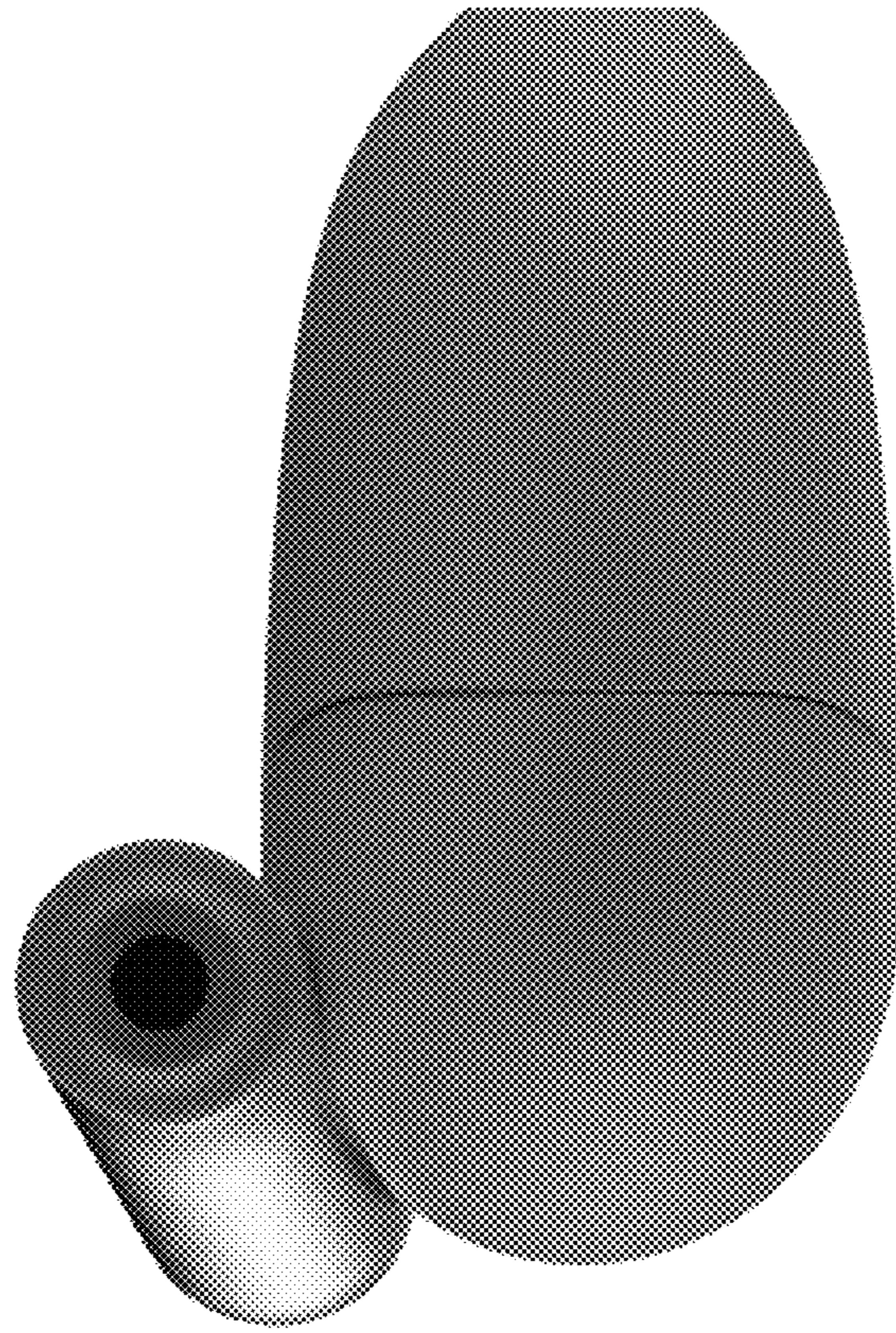


1.6

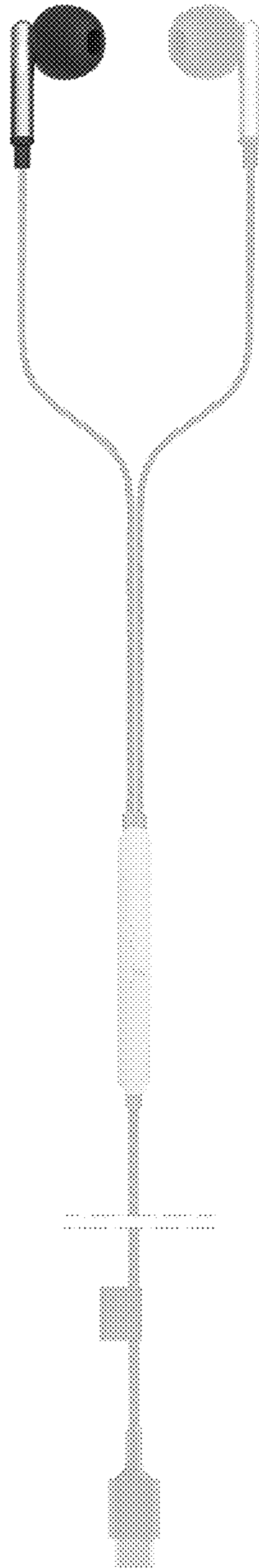




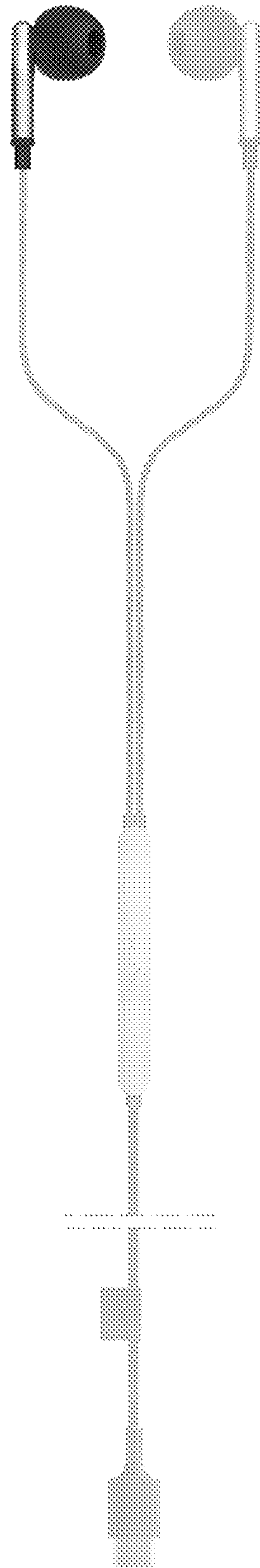
1.7



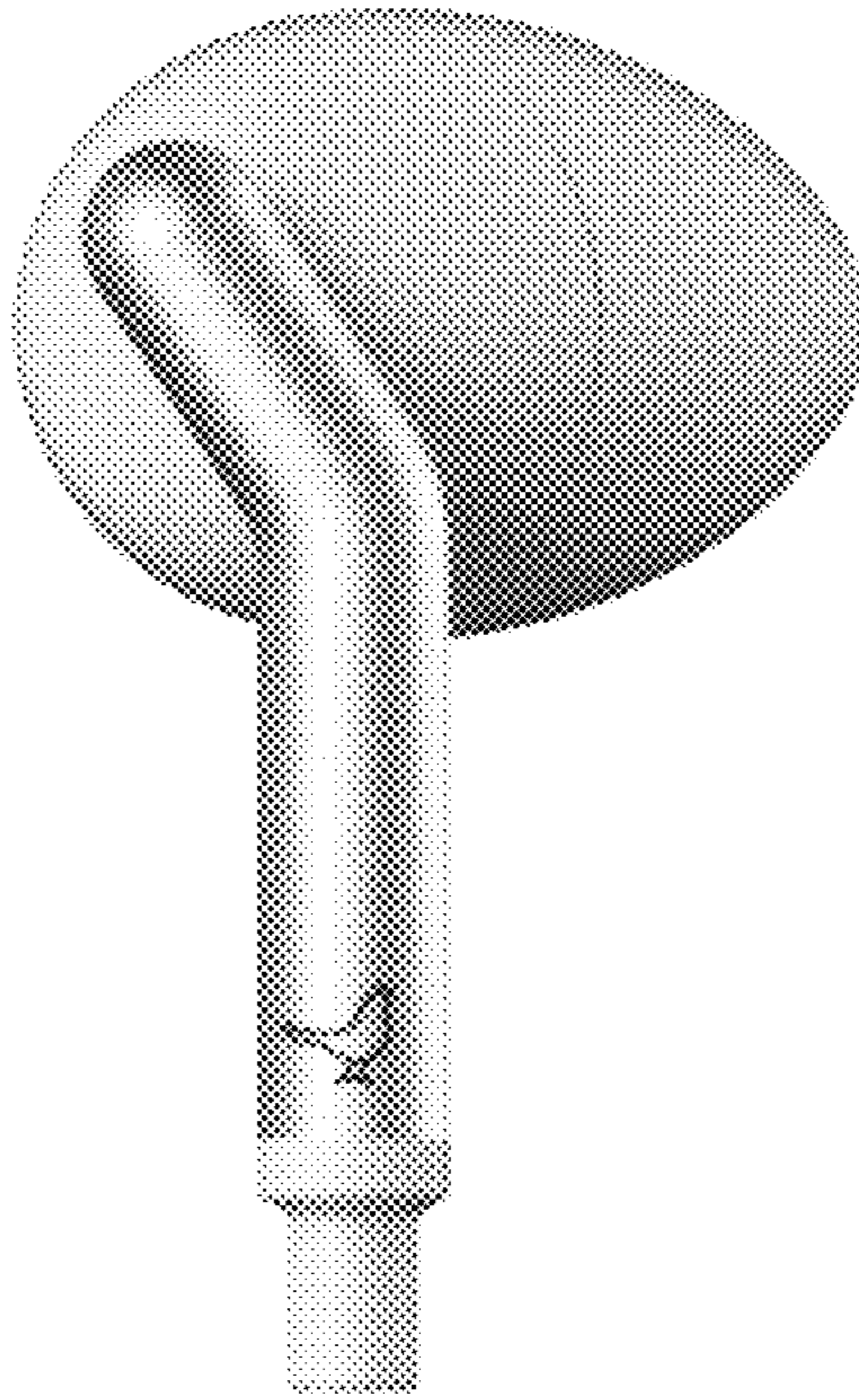
1.8



1.9



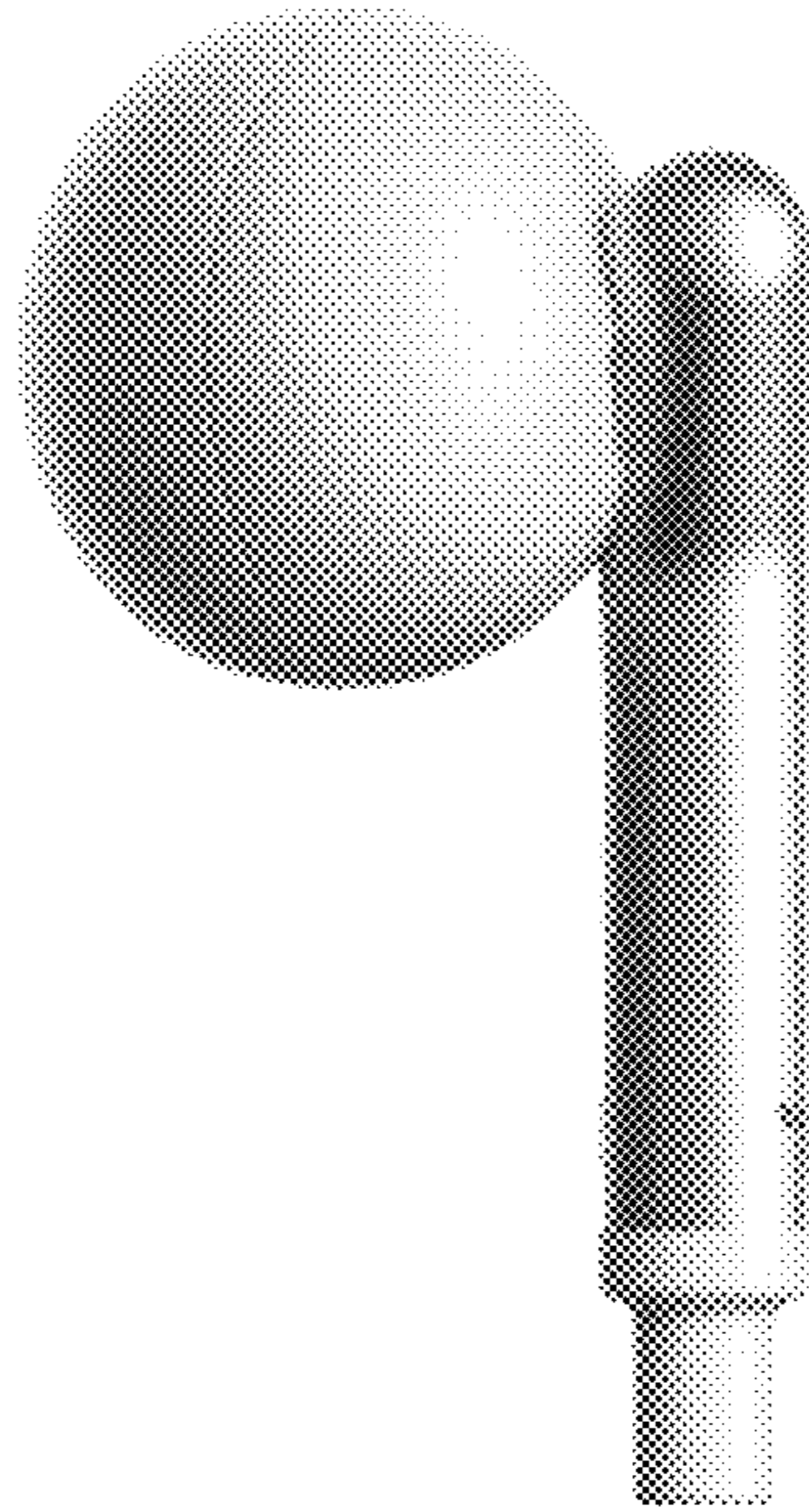
4.1



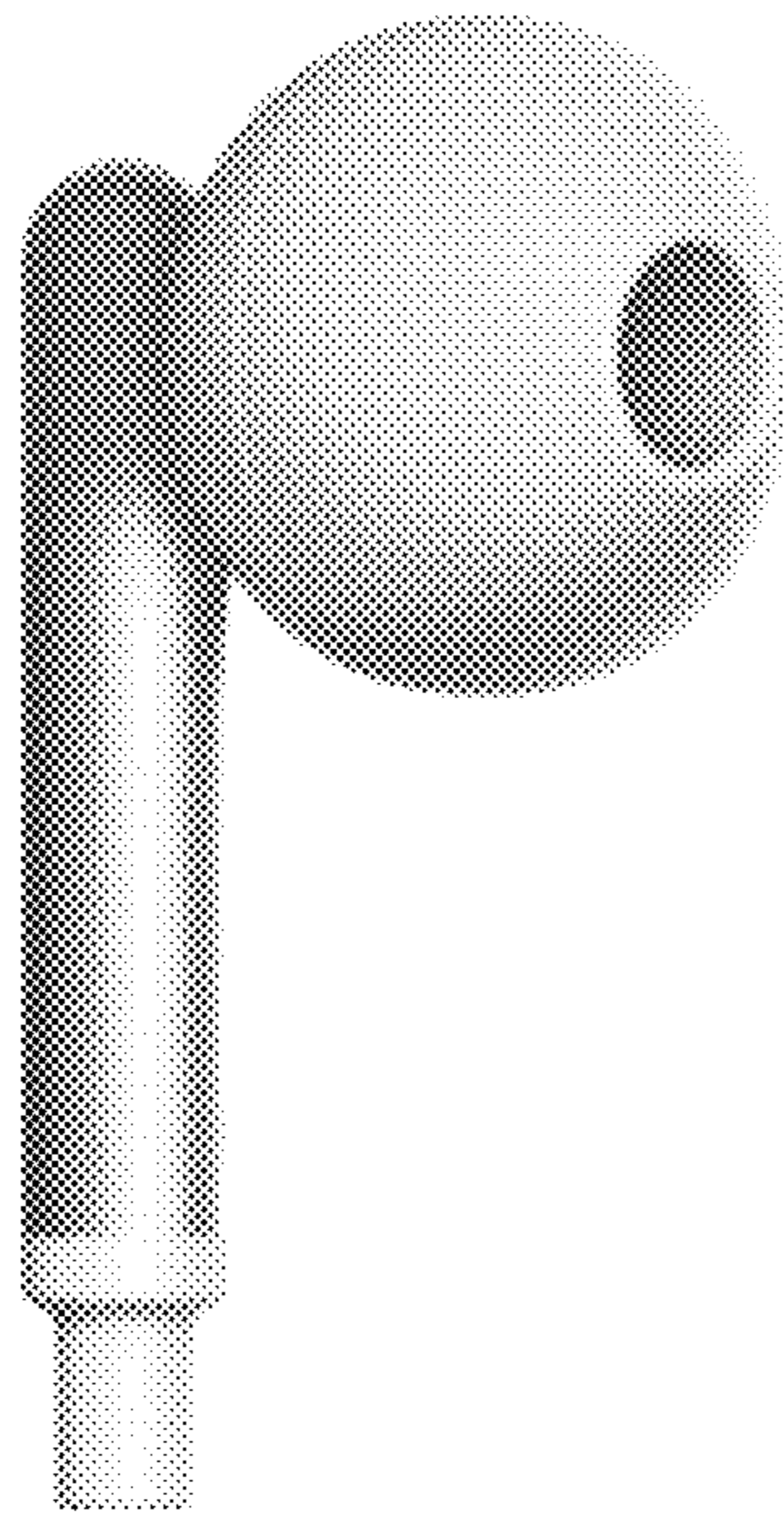
4.2



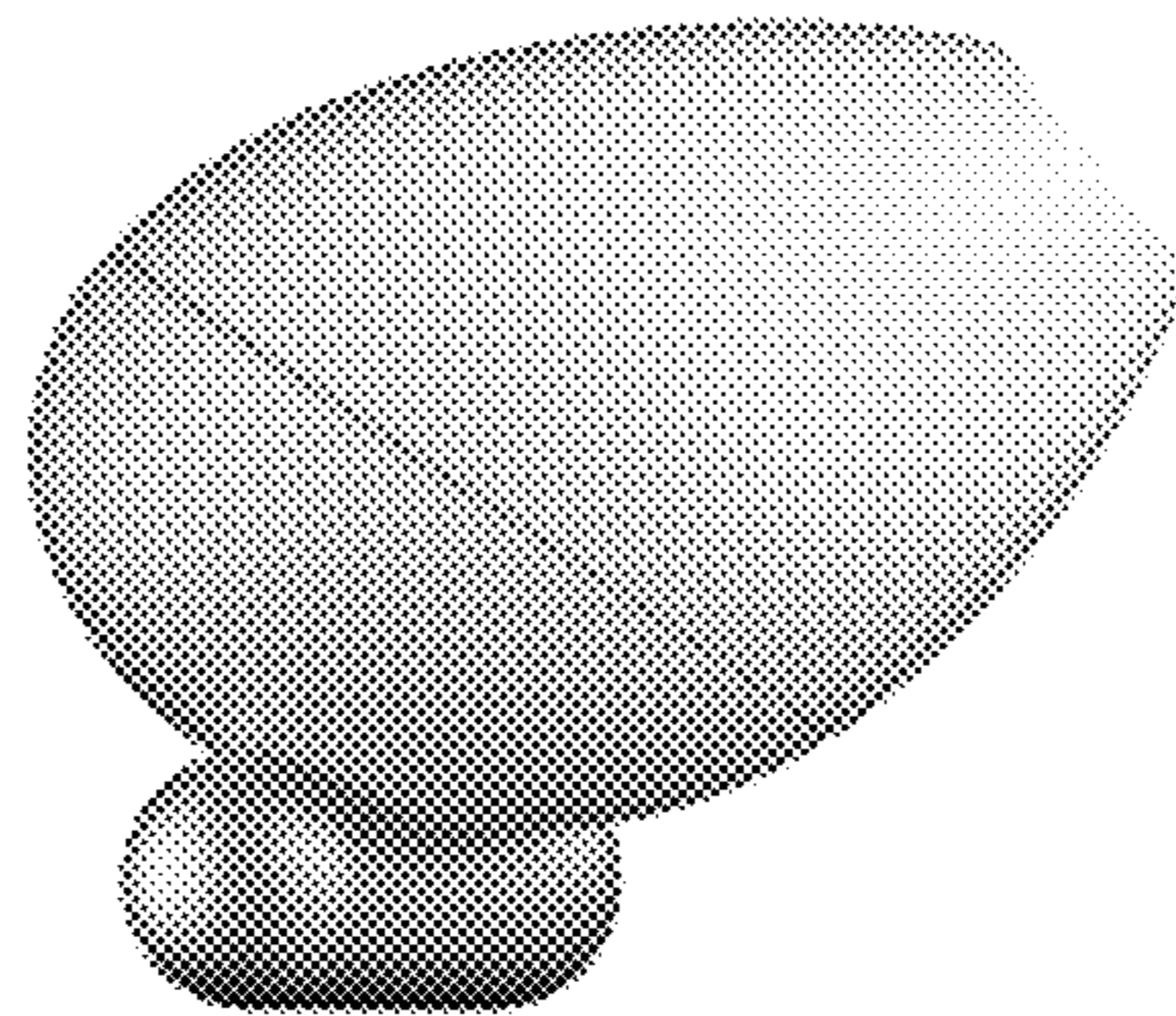
4.3



4.4

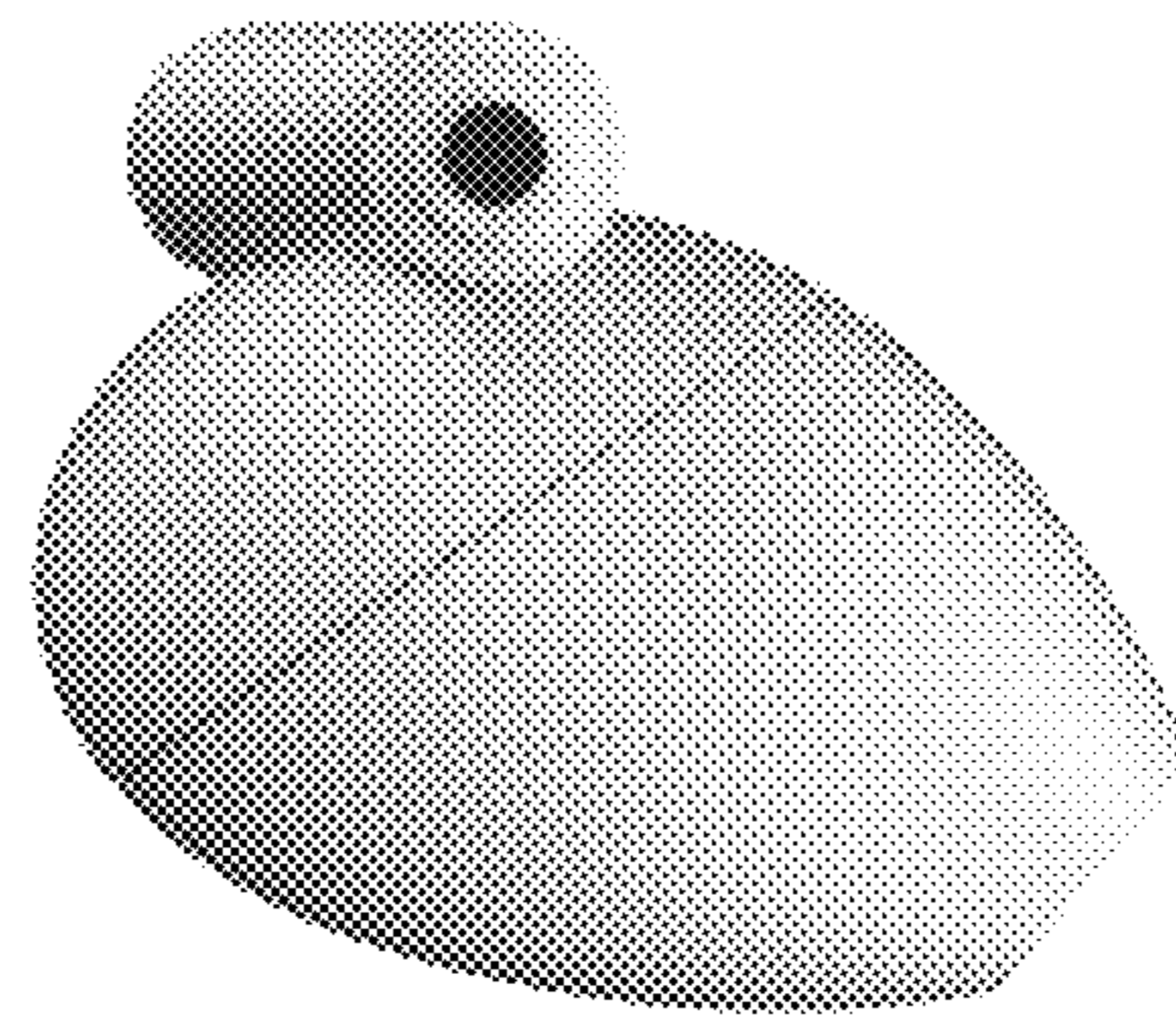


4.5

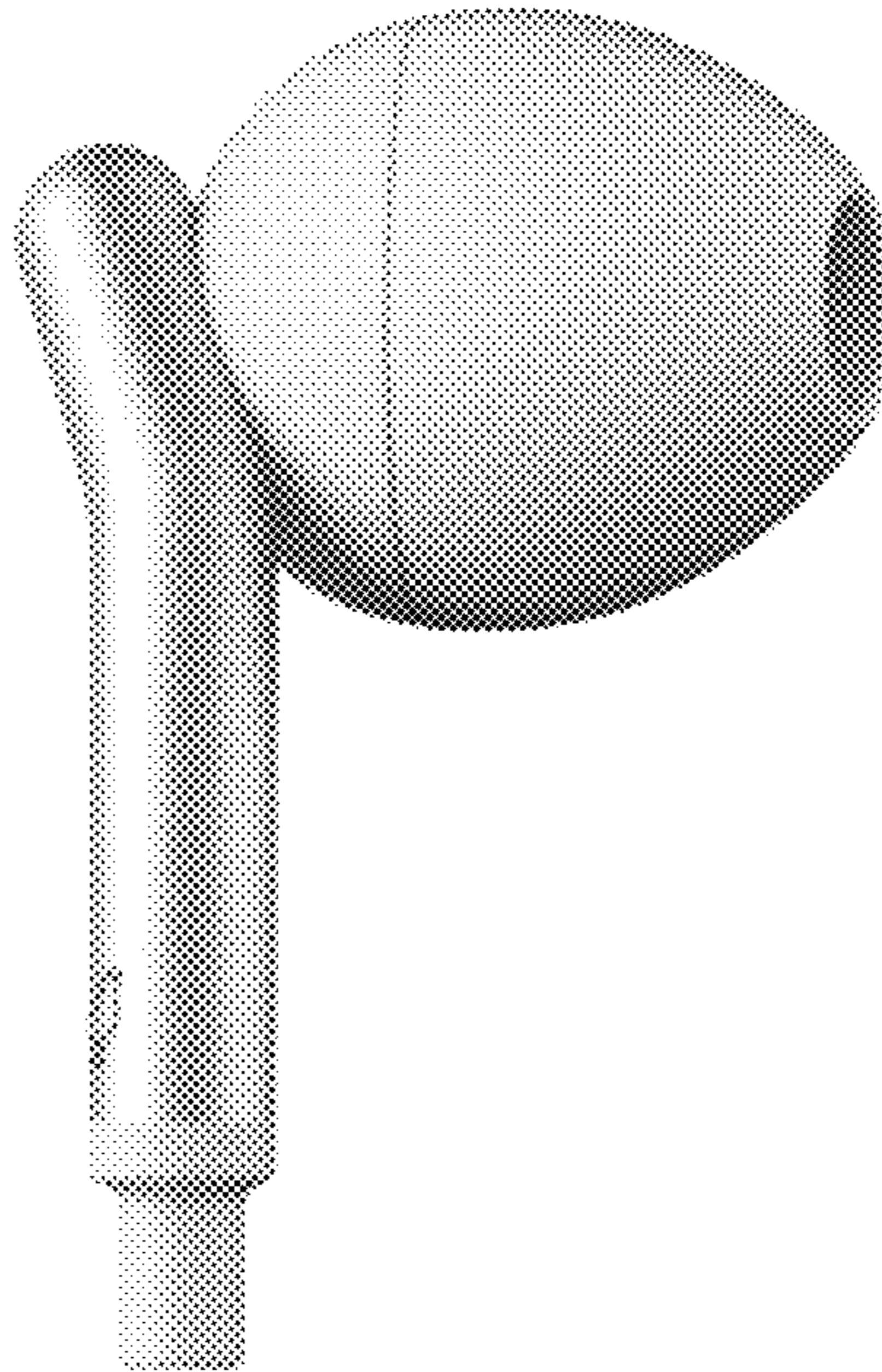




4.6



4.7



4.8

