



US00D824875S

(12) **United States Design Patent**
Czaniecki

(10) **Patent No.:** **US D824,875 S**

(45) **Date of Patent:** **** Aug. 7, 2018**

(54) **HEADPHONE**

(71) Applicant: **Harman International Industries, Incorporated**, Northridge, CA (US)

(72) Inventor: **Rafal Czaniecki**, Shenzhen (CN)

(73) Assignee: **Harman International Industries, Incorporated**, Northridge, CA (US)

(**) Term: **15 Years**

(21) Appl. No.: **29/576,111**

(22) Filed: **Aug. 31, 2016**

(51) **LOC (11) Cl.** **14-01**

(52) **U.S. Cl.**
USPC **D14/205; D14/223**

(58) **Field of Classification Search**
USPC D14/205, 223, 372; 181/129, 130, 135;
379/430, 431; 381/380, 381, 374, 74,
381/122; 455/90.3, 575.1, 569.1
CPC H04R 25/00; H04R 25/02; H04R 1/10;
H04R 1/1016; H04R 1/1066; H04R
5/033; H04R 5/0335
See application file for complete search history.

(56) **References Cited**

U.S. PATENT DOCUMENTS

D318,670 S *	7/1991	Taniguchi	D14/205
D326,655 S *	6/1992	Iribe	D14/192
5,222,151 A *	6/1993	Nagayoshi	H04R 1/1016 381/313
6,122,369 A *	9/2000	Hwang	H04M 1/6058 379/420.03
D473,217 S *	4/2003	Rivera	D14/223
D539,782 S *	4/2007	Lee	D14/188
D567,217 S *	4/2008	Kamo	D14/205
D587,681 S *	3/2009	Yanai	D14/205
D594,441 S *	6/2009	Lee	D14/205
D599,778 S *	9/2009	Ando	D14/205

D605,628 S *	12/2009	Ando	D14/205
D614,168 S *	4/2010	Rogers	D14/206
D618,209 S *	6/2010	Andre	D14/205
D627,764 S *	11/2010	Tsai	D14/223
7,920,902 B2 *	4/2011	Carroll	H04M 1/6066 381/74
D651,589 S *	1/2012	Fischer	D14/218
D653,242 S *	1/2012	Katsuraku	D14/223
8,290,193 B2 *	10/2012	Pang	H04R 1/1033 381/370
D674,904 S *	1/2013	Aunio	D14/223
D680,102 S *	4/2013	Chen	D14/223
D685,764 S *	7/2013	Coulter	D14/205
D698,750 S *	2/2014	Yoon	D14/205
D699,226 S *	2/2014	Yoon	D14/206

(Continued)

Primary Examiner — Paula Allen Greene

(74) *Attorney, Agent, or Firm* — Plumsea Law Group, LLC

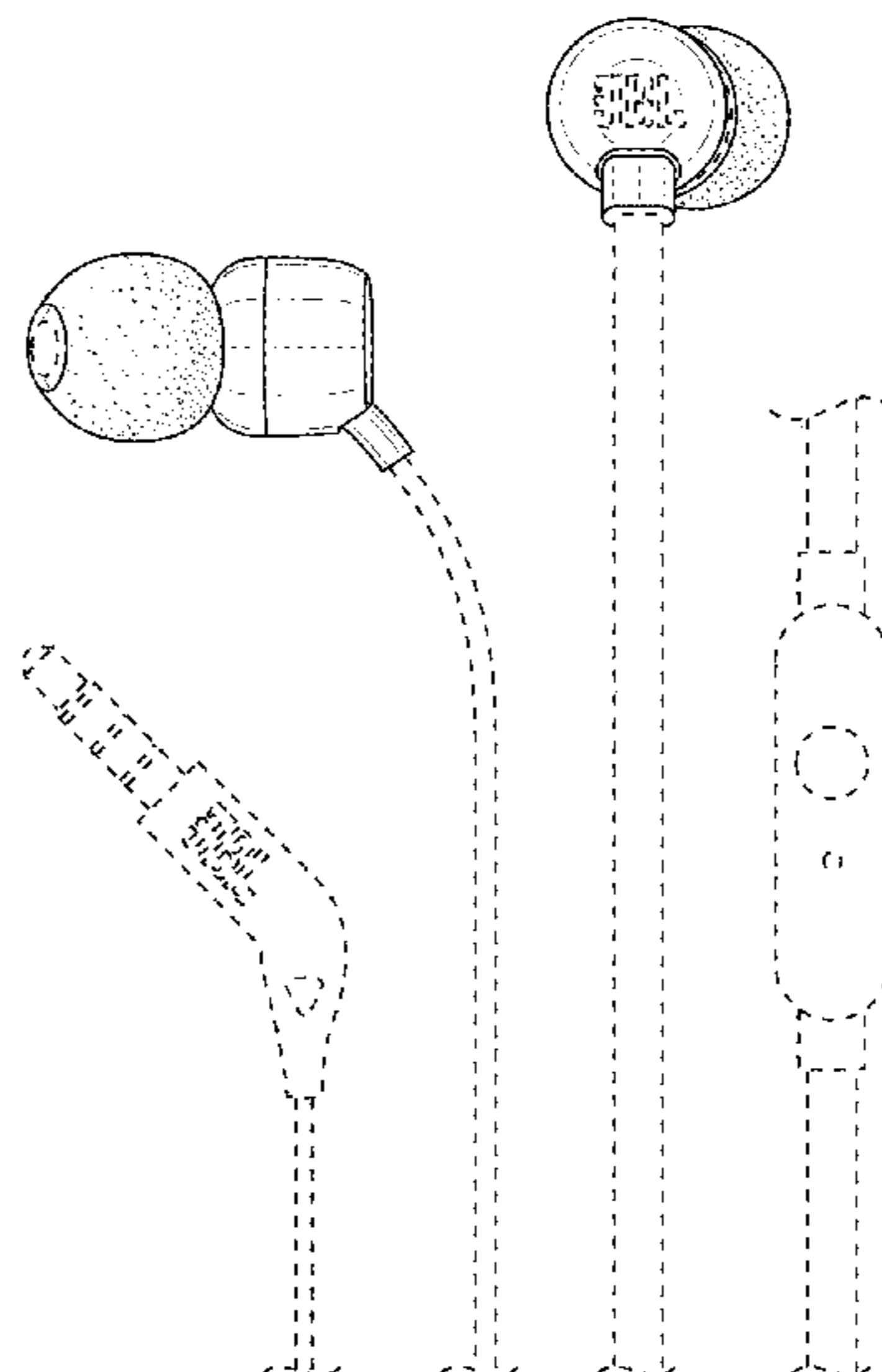
(57) **CLAIM**

The ornamental design for a headphone, as shown and described.

DESCRIPTION

FIG. 1 is a perspective view of a headphone showing the new design;
FIG. 2 is a side elevation view of the headphone of FIG. 1;
FIG. 3 is an enlarged front perspective view of the remote of the headphone of FIG. 1 shown in broken lines;
FIG. 4 is an enlarged back perspective view of the remote of FIG. 3 shown in broken lines;
FIG. 5 is an enlarged perspective view of the plug of the headphone of FIG. 1 shown in broken lines; and,
FIG. 6 is a perspective view of the Y-splitter of the headphone of FIG. 1 shown in broken lines.
The broken lines are directed to environment, are for illustrative purposes only, and form no part of the claimed design.

1 Claim, 5 Drawing Sheets



(56)

References Cited

U.S. PATENT DOCUMENTS

8,743,533	B2 *	6/2014	Stanley	H01H 9/0228	361/679.01
D712,371	S *	9/2014	Henning	D14/205	
D726,145	S *	4/2015	Hsieh	D14/205	
D727,871	S *	4/2015	Orbach	D14/205	
D728,528	S *	5/2015	Akana	D14/218	
D743,381	S *	11/2015	Pi	D14/218	
D767,532	S *	9/2016	Jen	D14/205	
D782,997	S *	4/2017	Shin	D14/205	
D782,998	S *	4/2017	Shin	D14/205	
2008/0166003	A1 *	7/2008	Hankey	H01H 9/0228	381/370
2009/0238395	A1 *	9/2009	Jubelirer	H04R 1/08	381/370
2013/0170692	A1 *	7/2013	Kaneko	H04R 1/1033	381/380

* cited by examiner

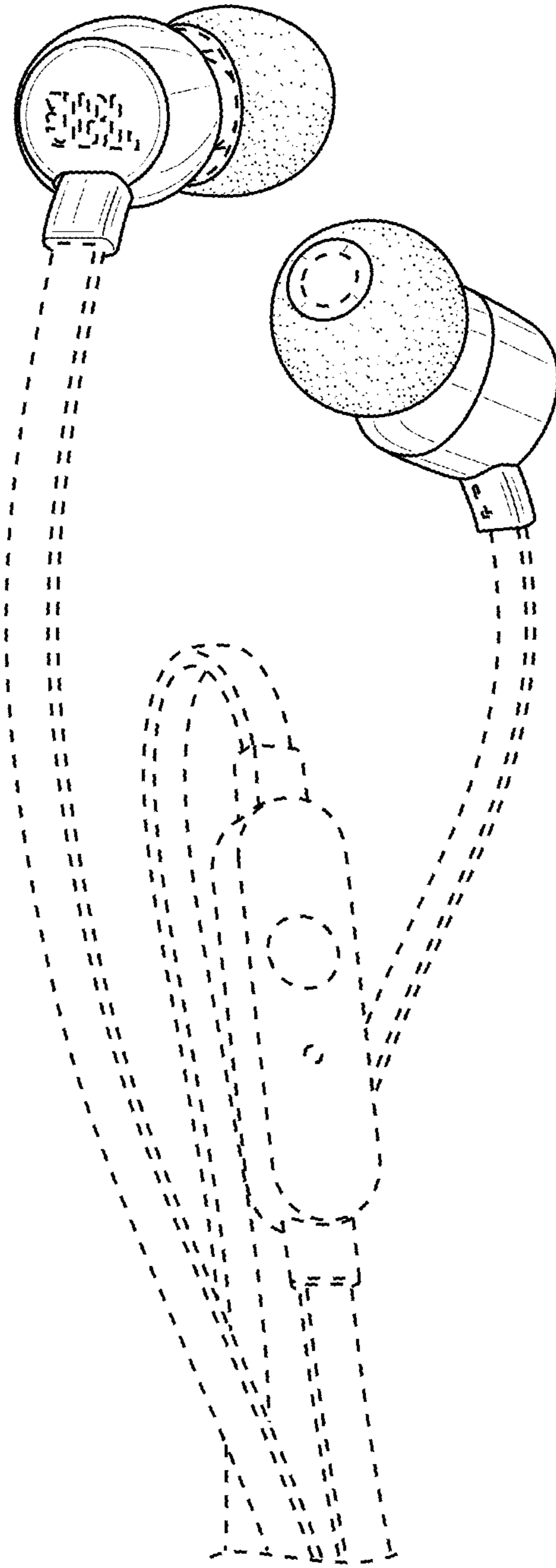


FIG. 1

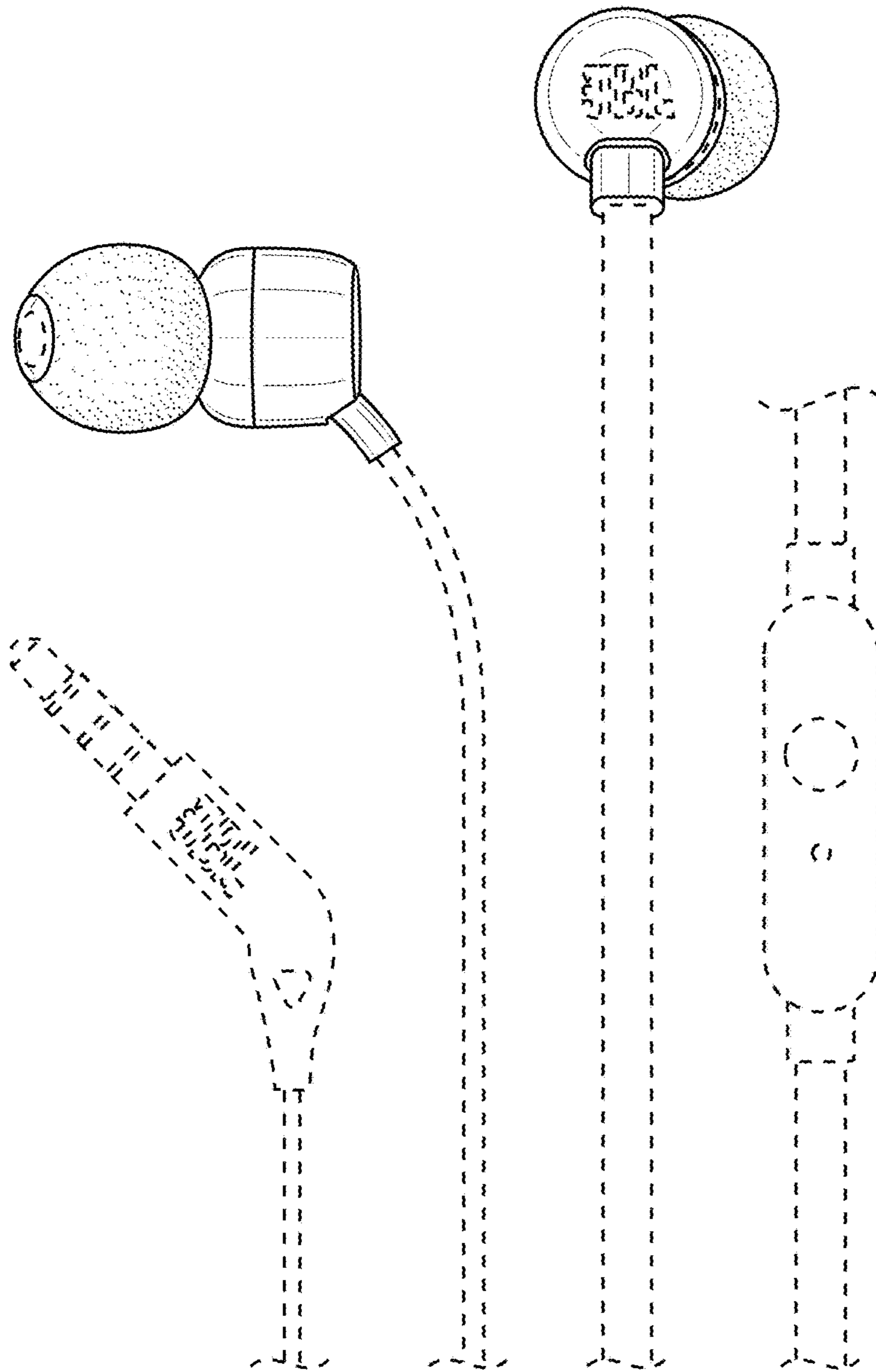


FIG. 2

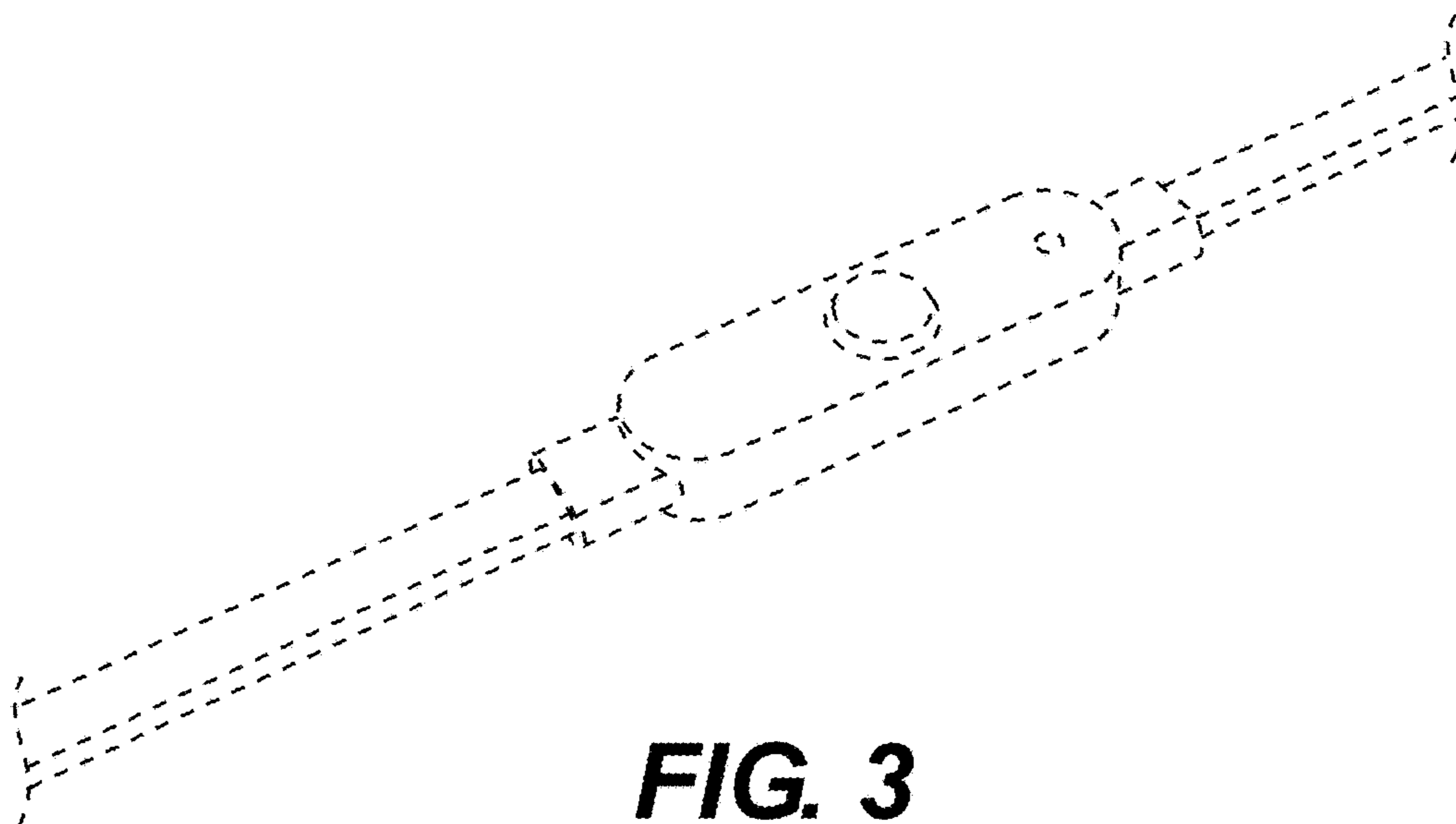


FIG. 3

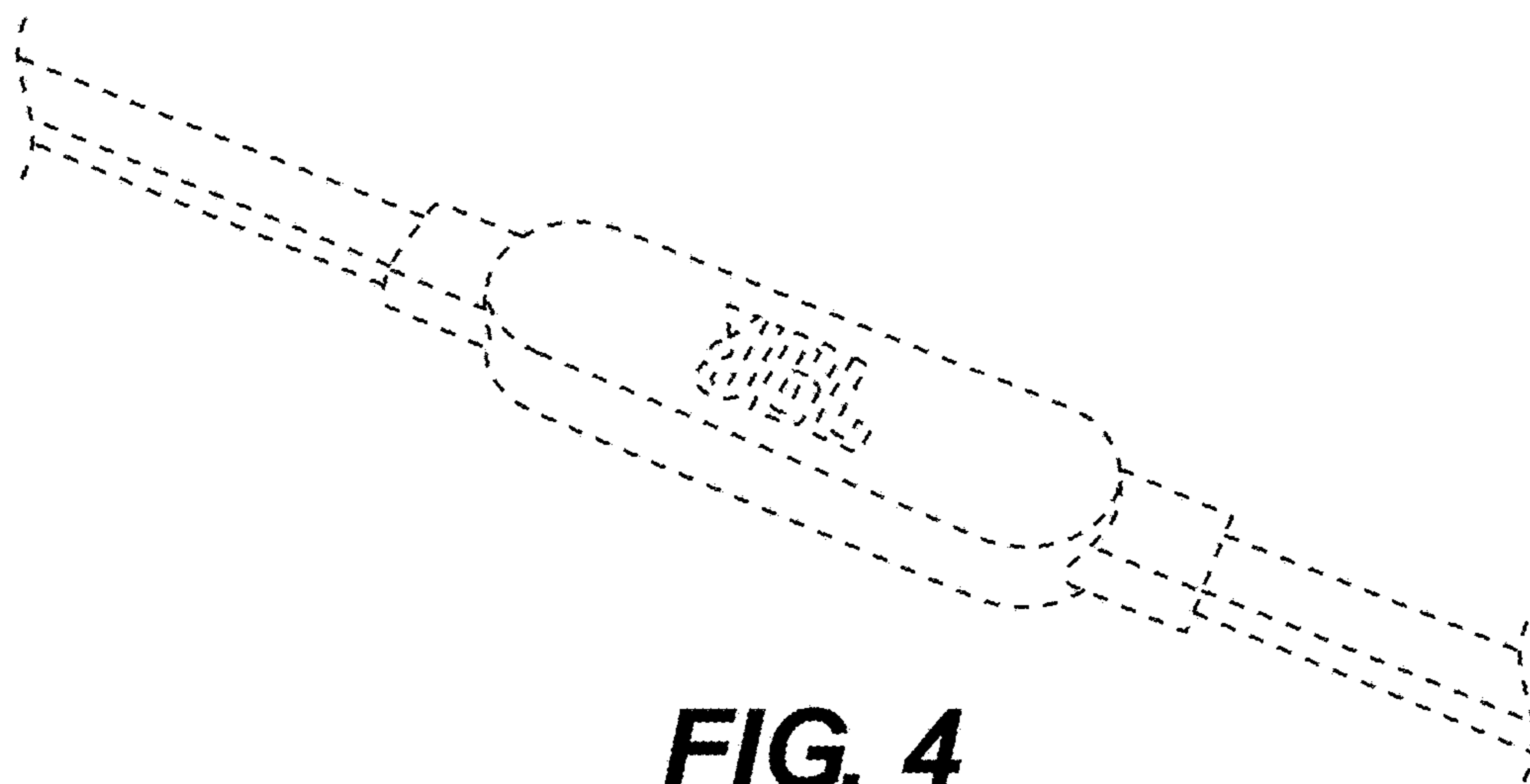


FIG. 4

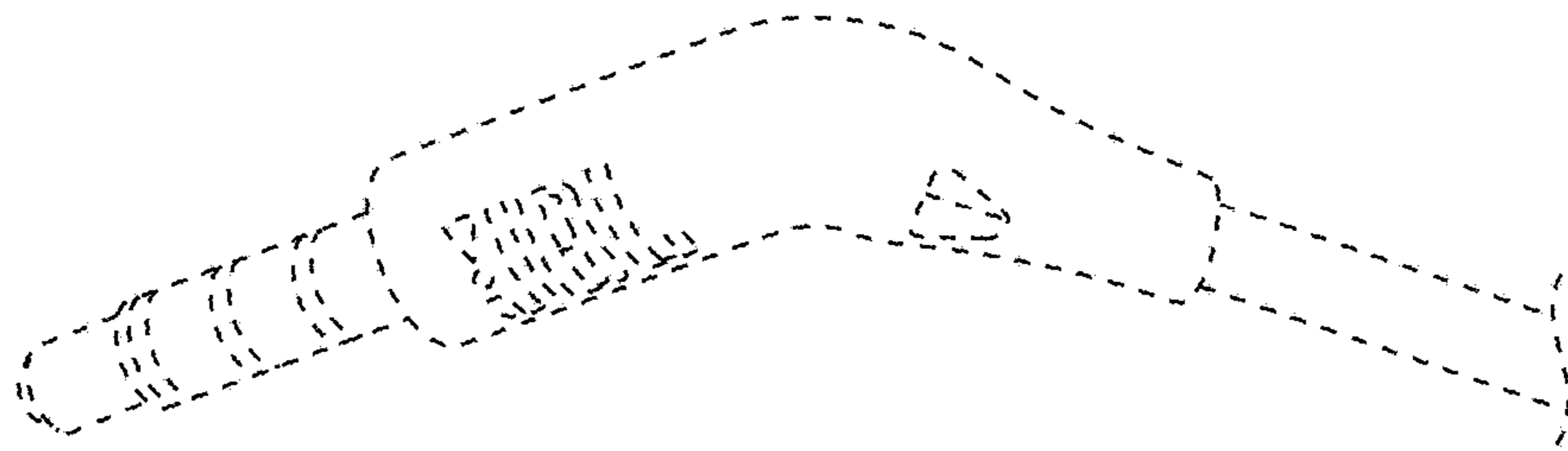


FIG. 5

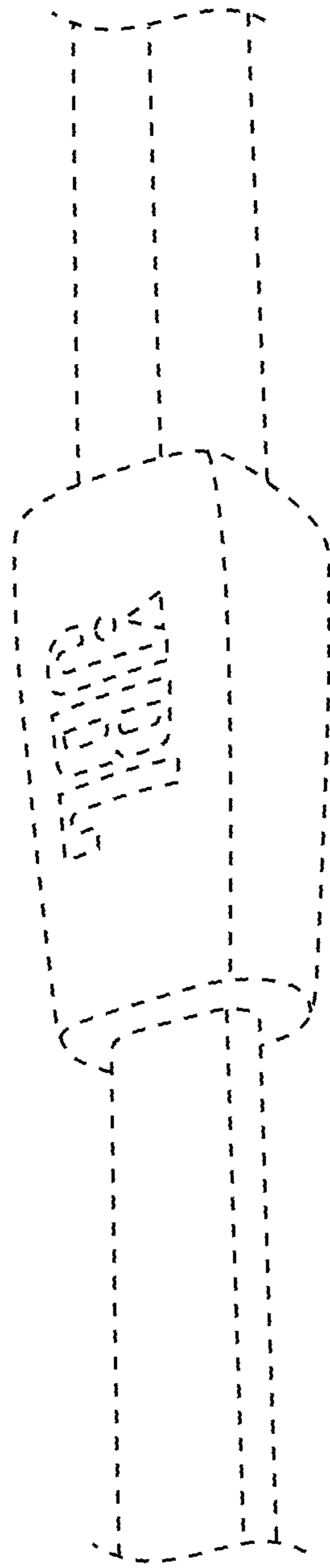


FIG. 6