



US00D824867S

(12) **United States Design Patent** (10) **Patent No.:** **US D824,867 S**
Kim et al. (45) **Date of Patent:** **** Aug. 7, 2018**

(54) **AUDIO VISUAL BOX FOR TV RECEIVER**

(56) **References Cited**

(71) Applicant: **LG ELECTRONICS INC.**, Seoul (KR)
(72) Inventors: **Yooseok Kim**, Seoul (KR); **Jongyoun Shin**, Seoul (KR); **Sunha Park**, Seoul (KR); **Younsoo Kim**, Seoul (KR); **Byungmu Huh**, Seoul (KR)

U.S. PATENT DOCUMENTS

D571,351	S	*	6/2008	Sogabe	D14/168
D602,020	S	*	10/2009	Haspil	D14/358
D647,866	S	*	11/2011	Chen	D14/125
8,180,410	B2	*	5/2012	Kim	H04M 1/0266 345/32
D668,143	S	*	10/2012	Akana	D14/496
D676,005	S	*	2/2013	Wood	D14/125
D685,392	S	*	7/2013	Chamness	D14/496
D686,182	S	*	7/2013	Ashiwa	D14/149
D722,053	S	*	2/2015	Wang	D14/358
D723,479	S	*	3/2015	Lee	D14/125
D723,480	S	*	3/2015	Lee	D14/125
D725,624	S	*	3/2015	Carney	D14/140
D727,274	S	*	4/2015	Park	D14/125
D738,835	S	*	9/2015	Bush	D13/184
D745,479	S	*	12/2015	McManigal	D14/125
D747,356	S	*	1/2016	Jou	D14/203.1

(73) Assignee: **LG ELECTRONICS INC.**, Seoul (KR)

(**) Term: **15 Years**

(21) Appl. No.: **35/501,859**

(22) Filed: **May 11, 2016**

(80) **Hague Agreement Data**

Int. Filing Date: **May 11, 2016**
Int. Reg. No.: **DM/091562**
Int. Reg. Date: **May 11, 2016**
Int. Reg. Pub. Date: **Nov. 11, 2016**

(Continued)

Primary Examiner — Melanie H Tung
Assistant Examiner — Bao-Yen Thi Nguyen
(74) *Attorney, Agent, or Firm* — Birch, Stewart, Kolasch & Birch, LLP

(30) **Foreign Application Priority Data**

Nov. 13, 2015 (KR) 30-2015-057406

(51) **LOC (11) Cl.** **14-03**

(52) **U.S. Cl.**
USPC **D14/125**

(58) **Field of Classification Search**
USPC D14/125-134, 136, 159, 188, 239, 242, D14/253, 300, 336, 342, 358, 371, D14/374-377, 440, 448, 496, 450; D15/199
CPC G03B 21/625; G03B 21/2033; H04N 9/3129; H04N 21/43; H04N 21/436; G06F 1/1601; G06F 1/1643; H05K 5/0004; H05K 5/0017; H05K 5/02; H05K 5/0217

See application file for complete search history.

(57) **CLAIM**

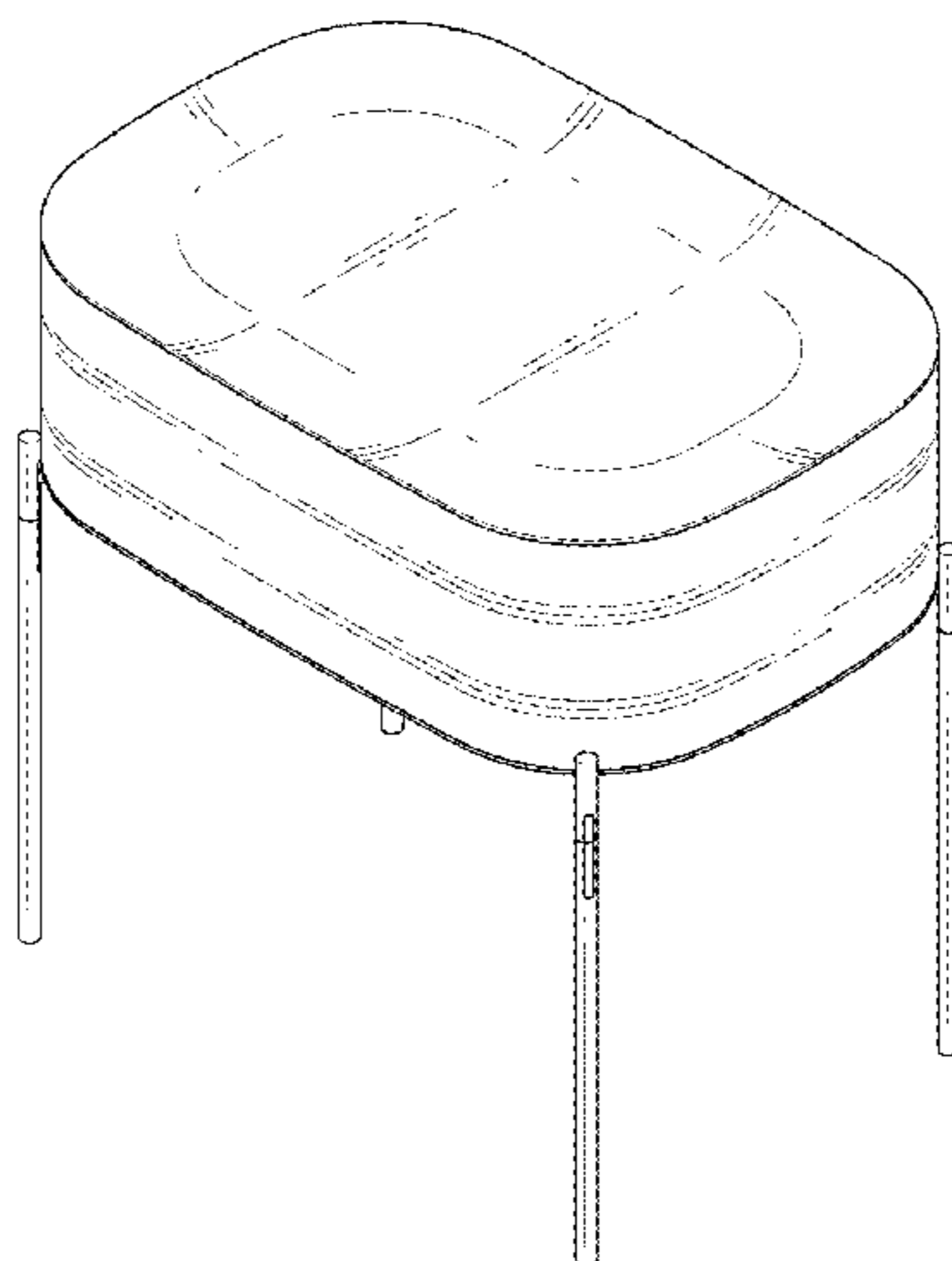
The ornamental design for an audio visual box for TV receiver, as shown and described.

DESCRIPTION

- 1. Audio visual box for TV receiver
- 1.1 : Perspective
- 1.2 : Front
- 1.3 : Back
- 1.4 : Left
- 1.5 : Right
- 1.6 : Top
- 1.7 : Bottom

The broken lines represent features of the audio visual box for a TV receiver that form no part of the claimed design.

1 Claim, 4 Drawing Sheets



(56)

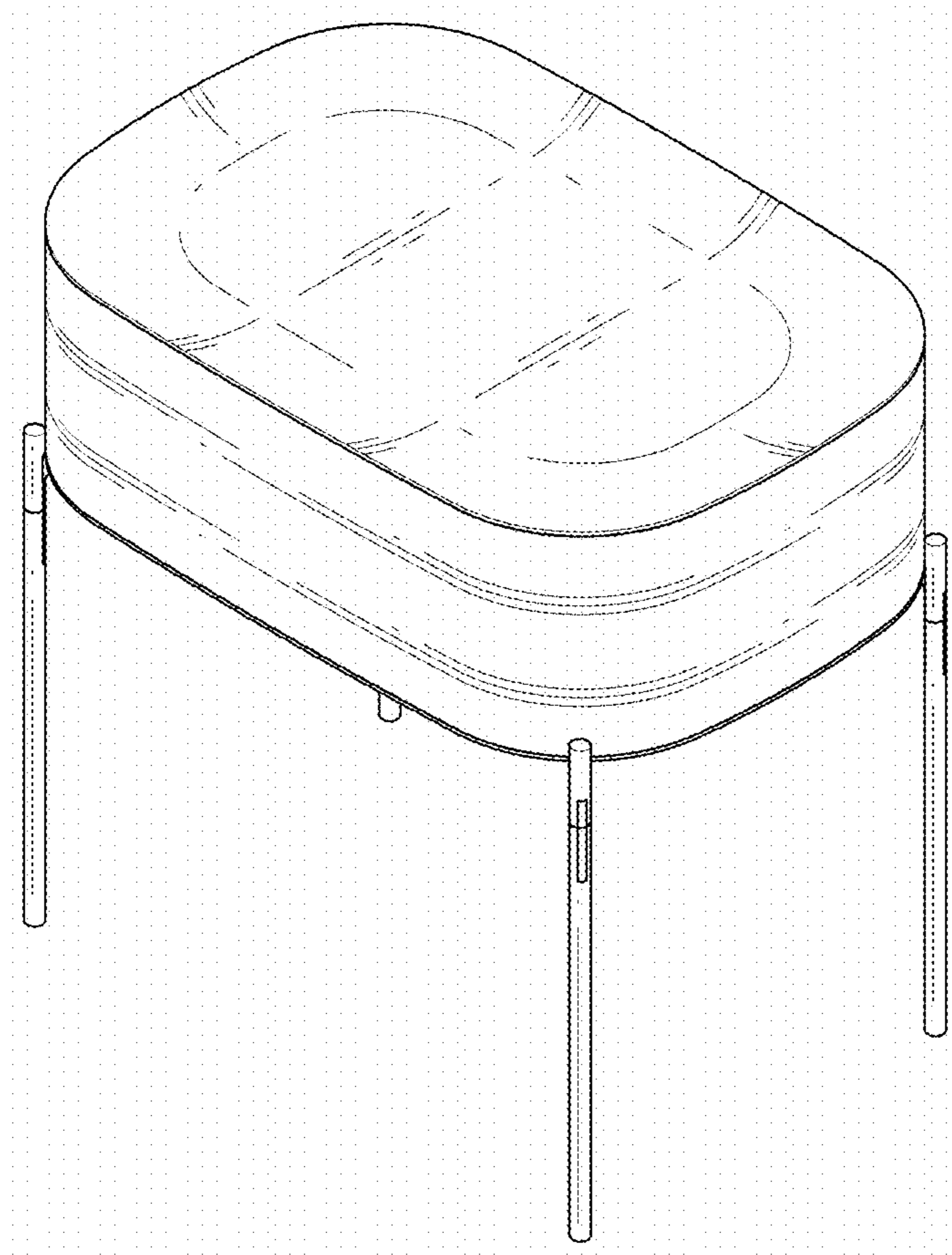
References Cited

U.S. PATENT DOCUMENTS

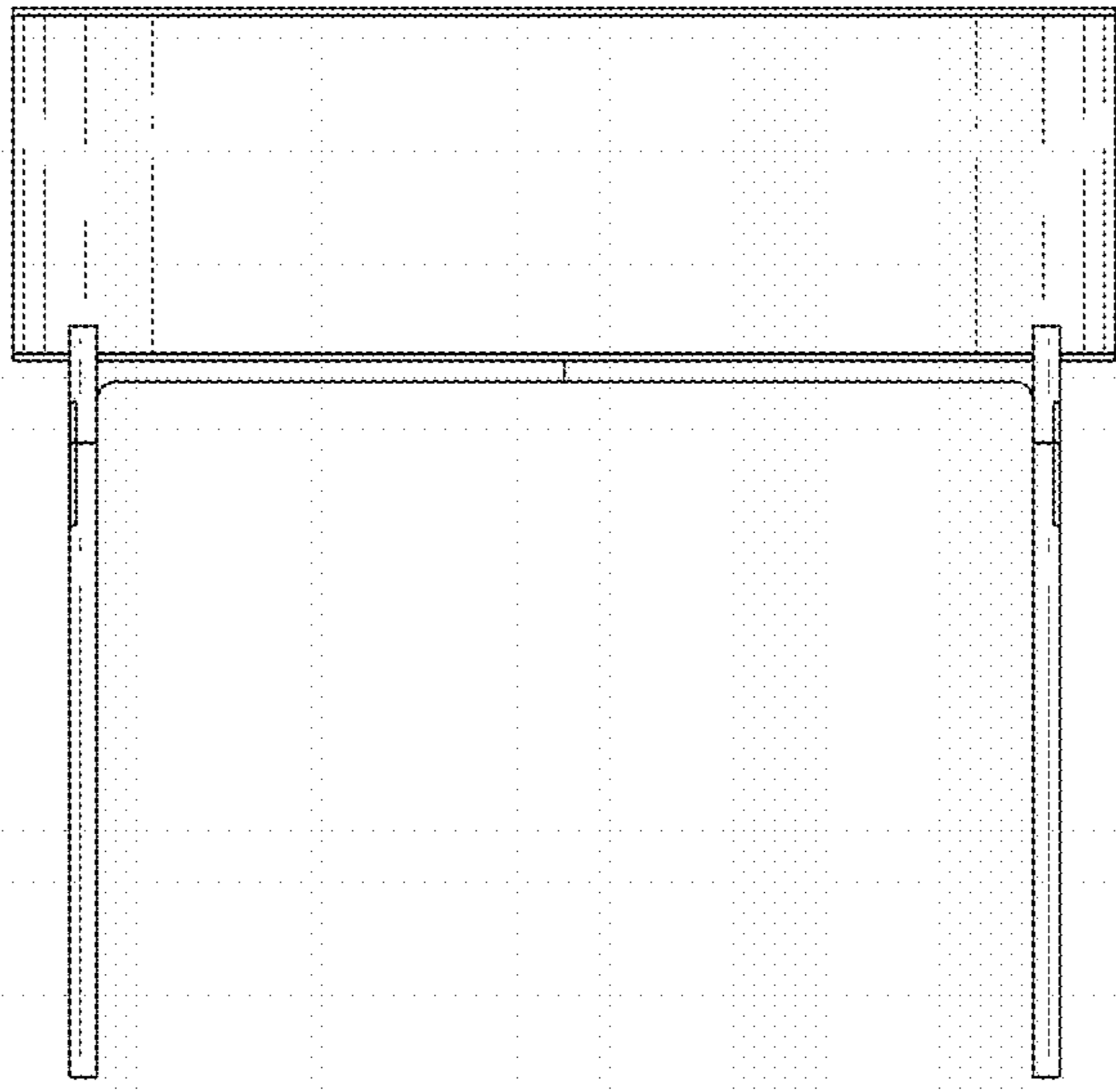
D754,751 S	*	4/2016	Kusano	D14/203.3
D760,691 S	*	7/2016	Paslawski	D14/214
D763,209 S	*	8/2016	Park	D14/125
D780,731 S	*	3/2017	Kim	D14/242
D794,019 S	*	8/2017	Kusano	D14/358
D799,479 S	*	10/2017	Wieser	D14/300

* cited by examiner

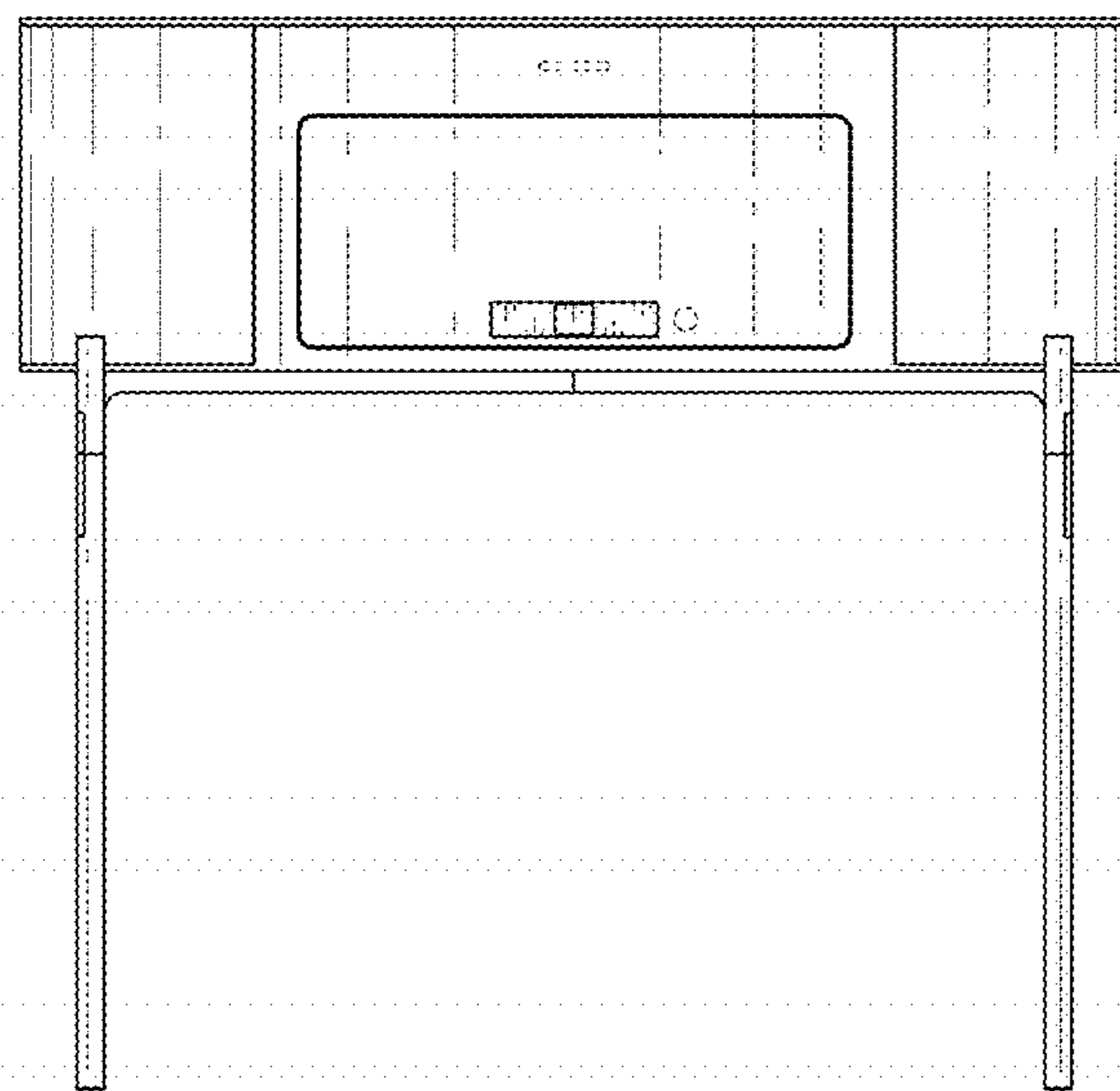
1.1



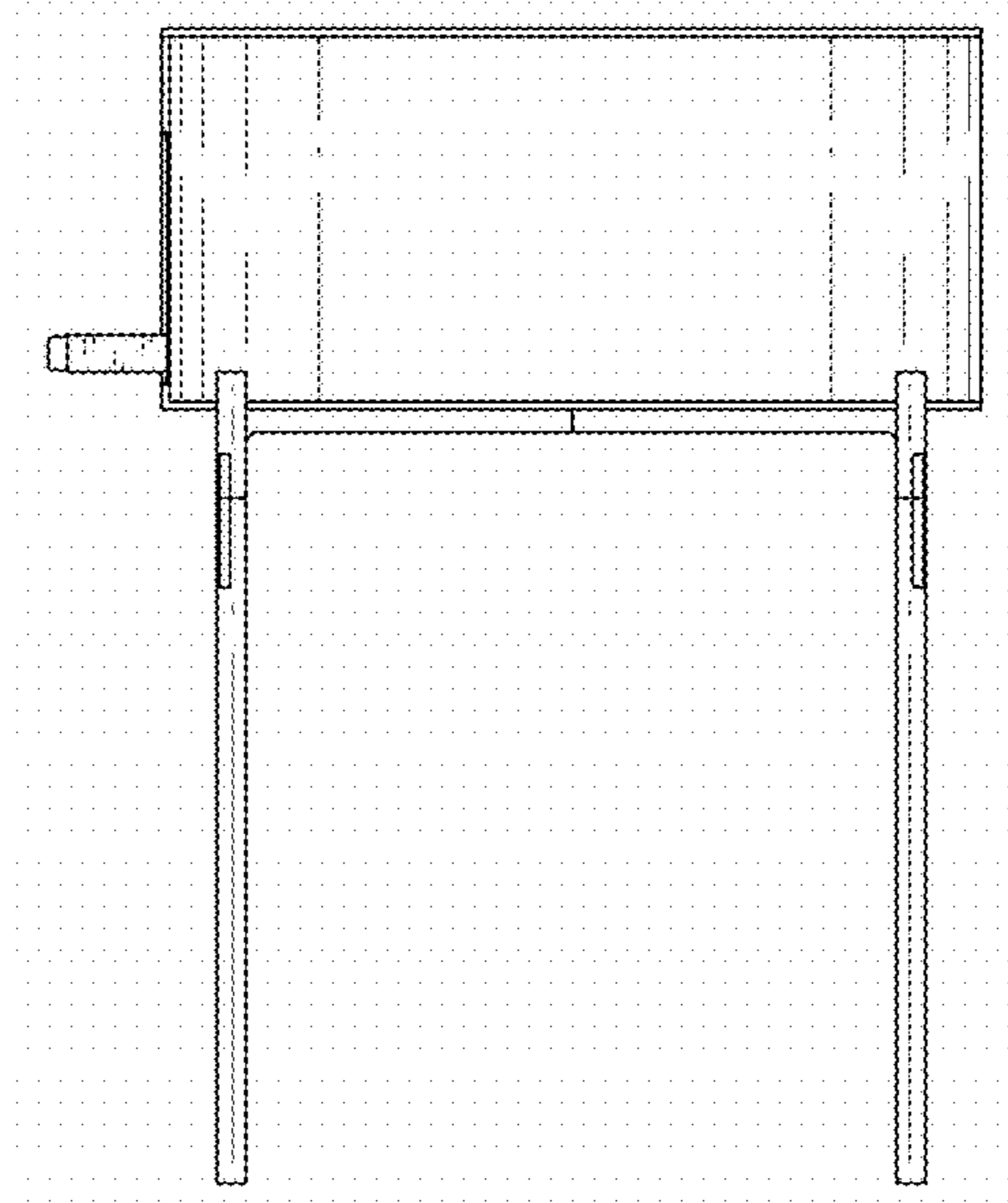
1.2



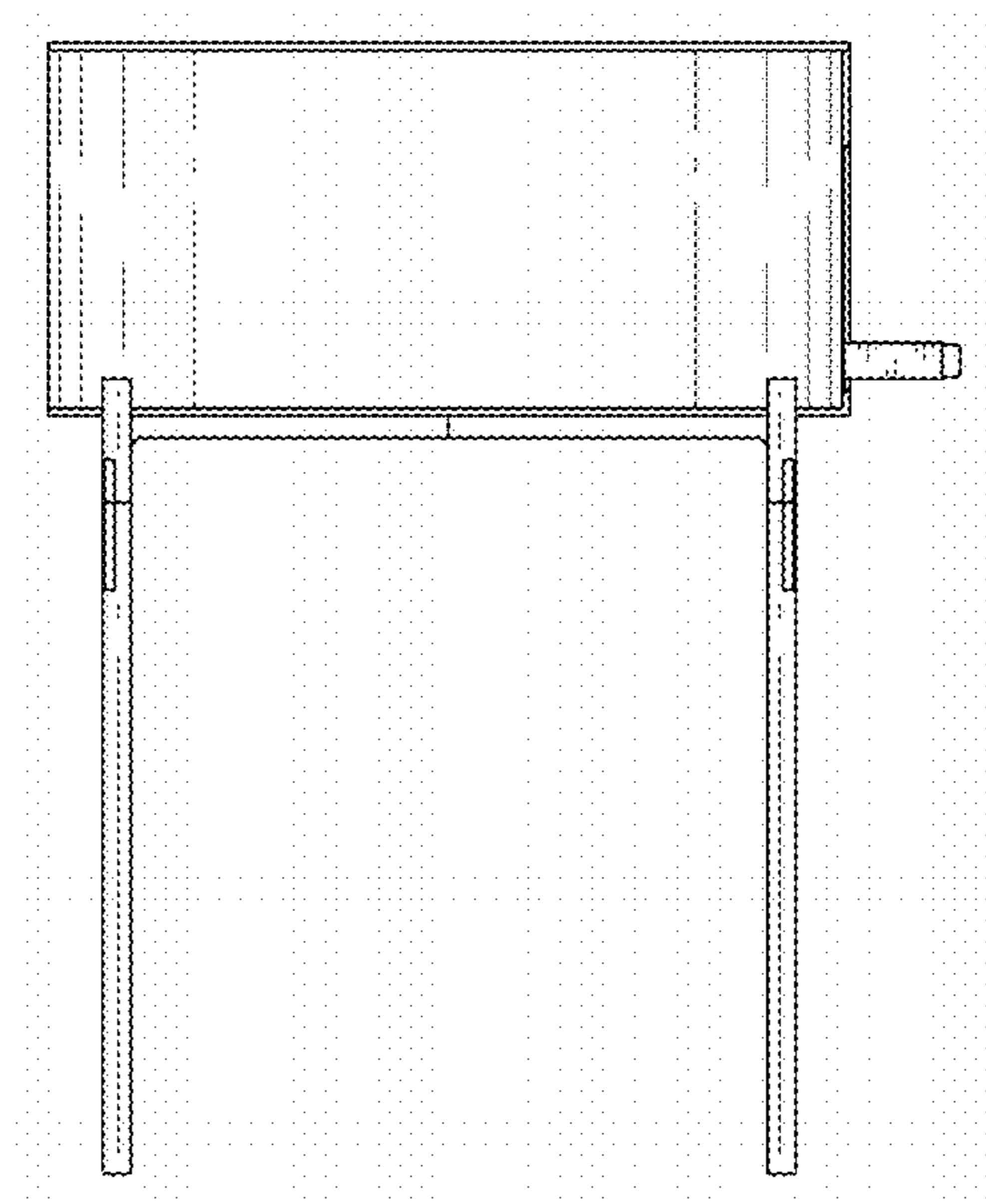
1.3



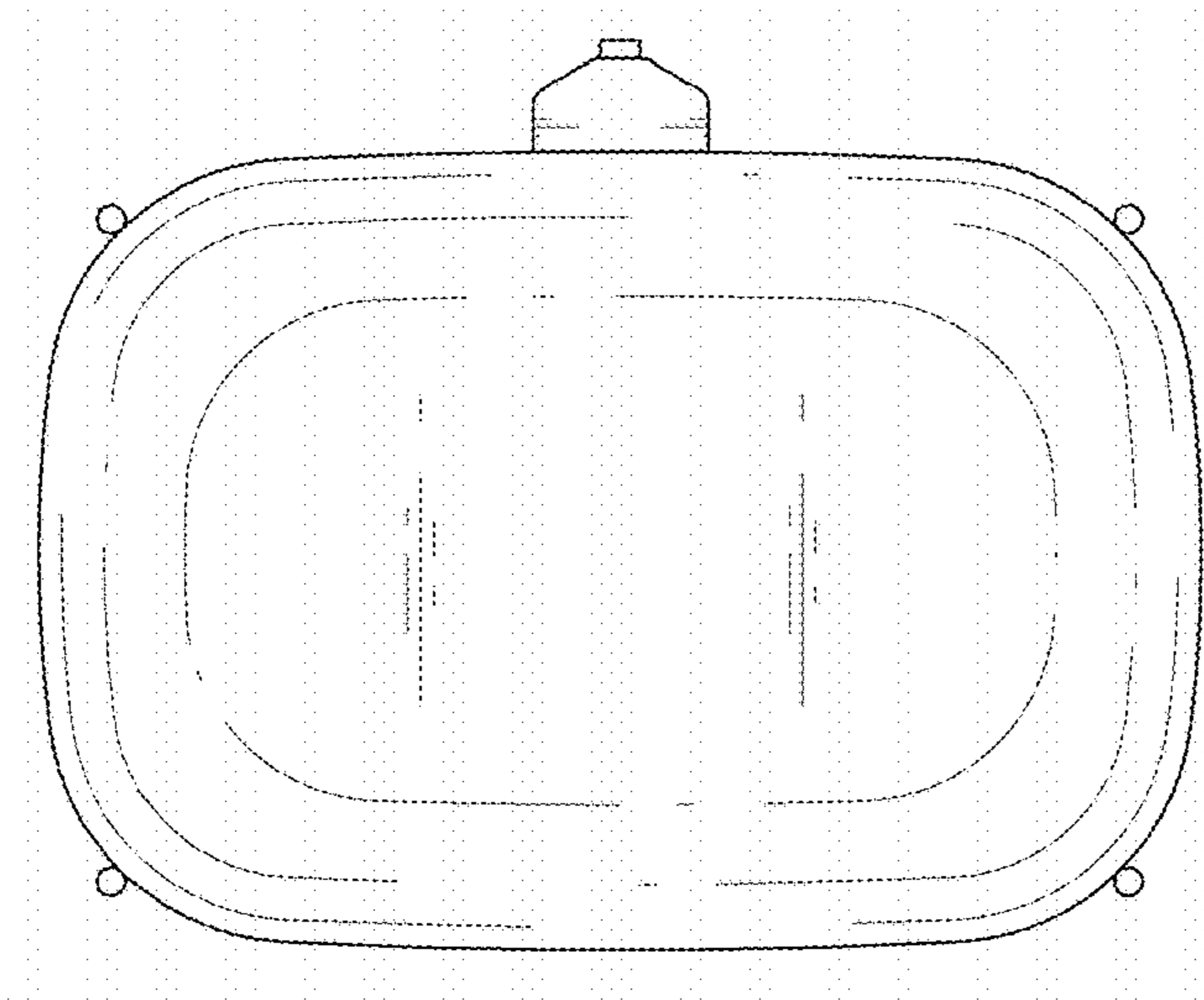
1.4



1.5



1.6



1.7

