



US00D824862S

(12) **United States Design Patent** (10) **Patent No.:** **US D824,862 S**
Corona (45) **Date of Patent:** **** *Aug. 7, 2018**

- (54) **MALE ELECTRICAL CONNECTOR WITH LOCKING TABS**
- (71) Applicant: **DSM&T Company, Inc.**, Fontana, CA (US)
- (72) Inventor: **Sergio Corona**, Upland, CA (US)
- (73) Assignee: **DSM&T Company, Inc.**, Fontana, CA (US)

(*) Notice: This patent is subject to a terminal disclaimer.

(**) Term: **15 Years**

(21) Appl. No.: **29/598,109**

(22) Filed: **Mar. 23, 2017**

(51) **LOC (11) Cl.** **13-03**

(52) **U.S. Cl.**
USPC **D13/149; D13/146**

(58) **Field of Classification Search**
 USPC D13/107, 110, 112, 118, 123, 133, D13/145-147, 149, 151, 154, 156, 173, D13/184, 199
 CPC H01R 13/00; H01R 13/40; H01R 13/50; H01R 13/52; H01R 13/62; H01R 13/64; H01R 13/405; H01R 13/58; H01R 13/63; H01R 13/639; H01R 13/659; H01R 13/70; H01R 24/64

See application file for complete search history.

(56) **References Cited**

U.S. PATENT DOCUMENTS

- D86,515 S 3/1932 Cox
- 2,046,221 A * 6/1936 Thomas H01R 13/625 337/187
- D188,419 S 7/1960 Danesi
- 4,606,596 A 8/1986 Whiting et al.

- D286,397 S 10/1986 Challans
- 4,704,091 A 11/1987 Owens et al.
- D328,281 S * 7/1992 Nociar D13/146
- 5,201,669 A 4/1993 Lin
- 5,285,163 A 2/1994 Liotta
- 5,401,181 A 3/1995 Wilson
- D360,187 S 7/1995 Starec et al.
- D360,871 S 8/1995 Wilson
- D360,872 S 8/1995 Wilson
- 5,460,545 A 10/1995 Siemon et al.
- D393,831 S 4/1998 Siemon et al.
- D416,230 S 11/1999 Narumo et al.

(Continued)

Primary Examiner — Thomas Johannes
Assistant Examiner — Shawn T Gingrich
 (74) *Attorney, Agent, or Firm* — Keusey & Associates, P.C.

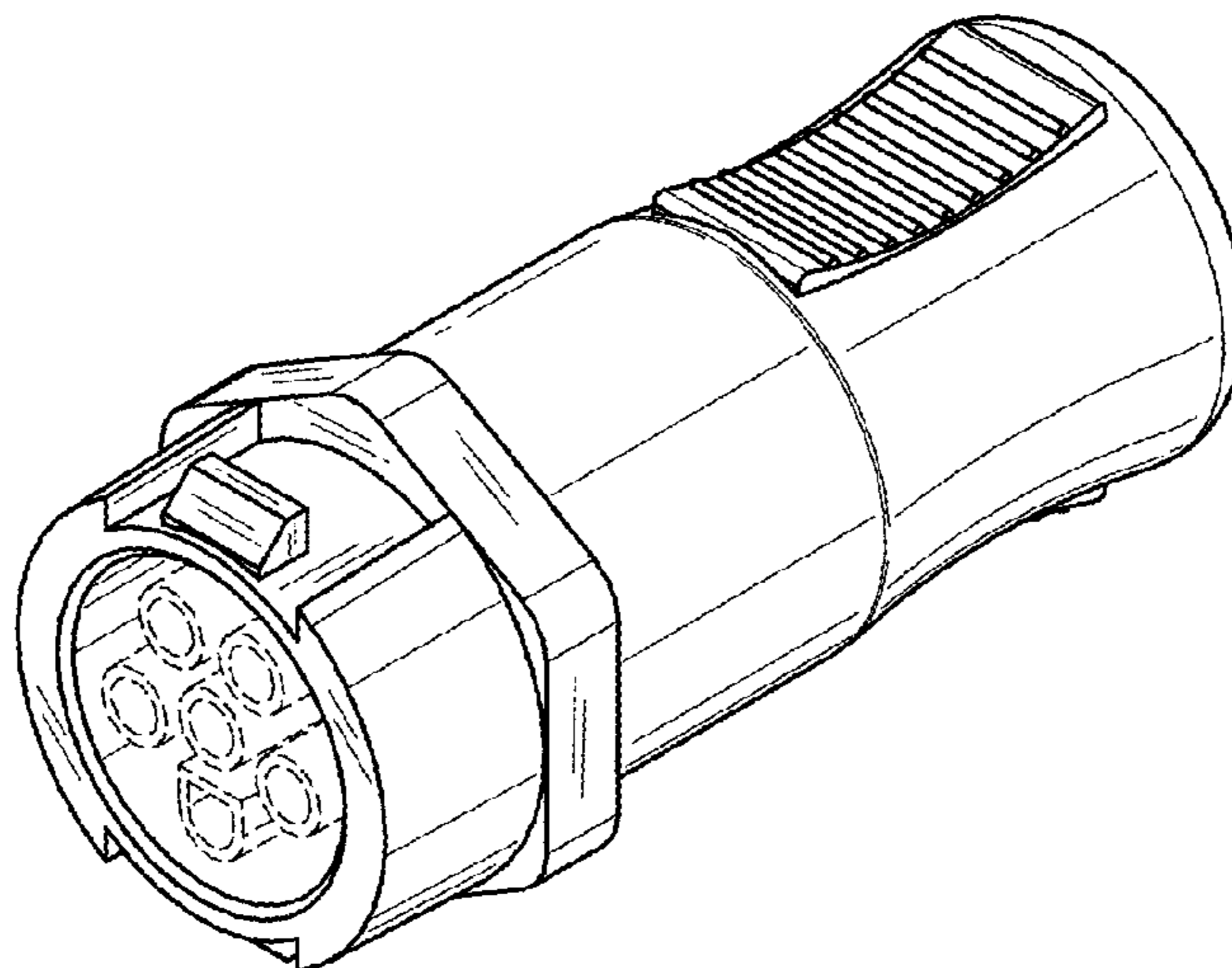
(57) **CLAIM**

The ornamental design for a male electrical connector with locking tabs, as shown and described.

DESCRIPTION

FIG. 1 is a top, front, right side perspective view of my new design of a male electrical connector with locking tabs.
 FIG. 2 is a right side elevational view thereof.
 FIG. 3 is a left side elevational view thereof.
 FIG. 4 is a top plan view thereof.
 FIG. 5 is a bottom plan view thereof.
 FIG. 6 is a front side elevational view thereof.
 FIG. 7 is a rear side elevational view thereof.
 FIG. 8 is a top, front, left side exploded perspective view thereof.
 FIG. 9 is a right side exploded view thereof, the left side exploded view being a mirror image thereof; and,
 FIG. 10 is a top plan exploded view thereof, the bottom plan exploded view being identical thereto.
 The broken lines in FIGS. 1, 6, 7 and 8 represent unclaimed environment only and form no part of the claimed design.

1 Claim, 3 Drawing Sheets



(56)

References Cited

U.S. PATENT DOCUMENTS

D425,028 S	5/2000	Lee		D643,815 S	8/2011	Mark et al.	
D434,377 S	11/2000	Bussett et al.		D651,171 S	12/2011	Yamauchi et al.	
D437,828 S	2/2001	Corona		D651,172 S	12/2011	Yamauchi et al.	
D439,221 S	3/2001	Corona		D670,647 S *	11/2012	Ebihara	D13/133
D444,128 S	6/2001	Tan et al.		D670,650 S	11/2012	Ebihara	
D445,763 S	7/2001	Corona		D677,629 S	3/2013	Corona	
D446,186 S	8/2001	Corona		D678,200 S	3/2013	Corona	
6,379,169 B1	4/2002	Corona		D678,201 S	3/2013	Corona	
6,383,003 B1	5/2002	Corona		D678,202 S	3/2013	Corona	
D472,523 S	4/2003	Hansen		D678,203 S	3/2013	Corona	
D473,844 S	4/2003	Bender et al.		D678,204 S	3/2013	Corona	
D502,919 S	3/2005	Studnicky		D679,662 S	4/2013	Svelnis et al.	
D503,150 S	3/2005	Yamawaki et al.		D682,209 S *	5/2013	Henrink	D13/133
D514,070 S	1/2006	Bachmann		D682,793 S	5/2013	Igelmund	
D516,028 S	2/2006	Deng		D692,829 S *	11/2013	Dobler	D13/133
D521,933 S	5/2006	Wade et al.		D694,189 S	11/2013	Ledinger et al.	
D524,736 S	7/2006	Morita et al.		D697,030 S	1/2014	Ledinger et al.	
D524,737 S	7/2006	Lai et al.		D698,730 S	2/2014	Hori et al.	
D529,441 S *	10/2006	LaPere	D13/133	D704,645 S	5/2014	Nomura et al.	
D529,865 S *	10/2006	LaPere	D13/133	D705,738 S *	5/2014	Schmidt	D13/146
D535,618 S	1/2007	Hu et al.		D707,179 S *	6/2014	Smith	D13/146
D555,594 S	11/2007	So		D708,142 S	7/2014	Luther et al.	
D559,785 S *	1/2008	Tosetti	A61C 1/18 D13/133	D715,227 S *	10/2014	Leem	D13/146
				D716,732 S	11/2014	Neumann	
D560,610 S	1/2008	McCoy		D729,169 S	5/2015	Corona	
D571,727 S	6/2008	Yang et al.		D733,655 S *	7/2015	Sato	D13/133
7,390,210 B2	6/2008	Corona		D735,671 S *	8/2015	Kuhnert	D13/146
D573,536 S	7/2008	Hariharesan et al.		D737,771 S *	9/2015	Hofmann	D13/133
D577,671 S	9/2008	Schnitzler		D748,058 S	1/2016	Corona	
D586,750 S	2/2009	Li		D753,065 S	4/2016	Corona	
D596,125 S	7/2009	Norin et al.		D753,600 S	4/2016	Svelnis	
D604,697 S	11/2009	Sogo et al.		D762,178 S	7/2016	Liu et al.	
D606,944 S	12/2009	Mehnert et al.		D766,183 S	9/2016	Corona	
D613,246 S	4/2010	Muecke et al.		D766,184 S	9/2016	Corona	
D615,042 S	5/2010	Morgan et al.		D770,386 S	11/2016	Corona	
7,722,397 B2	5/2010	Schleith		D770,981 S	11/2016	Corona	
D616,821 S	6/2010	The		D774,465 S	12/2016	Corona	
7,785,123 B2	8/2010	Corona		D774,466 S	12/2016	Corona	
RE42,230 E	3/2011	Norin et al.		D780,123 S *	2/2017	Zetterqvist	D13/146
D637,159 S	5/2011	Hu		D793,340 S *	8/2017	Wang	D13/146
D639,243 S	6/2011	Gharib et al.		2003/0139094 A1	7/2003	Venditti et al.	
D639,250 S	6/2011	Svelnis et al.		2004/0147170 A1	7/2004	Greenwood et al.	
D639,743 S	6/2011	Smith et al.		2011/0003512 A1	1/2011	Bower et al.	
				2015/0126075 A1	5/2015	Chen et al.	

* cited by examiner

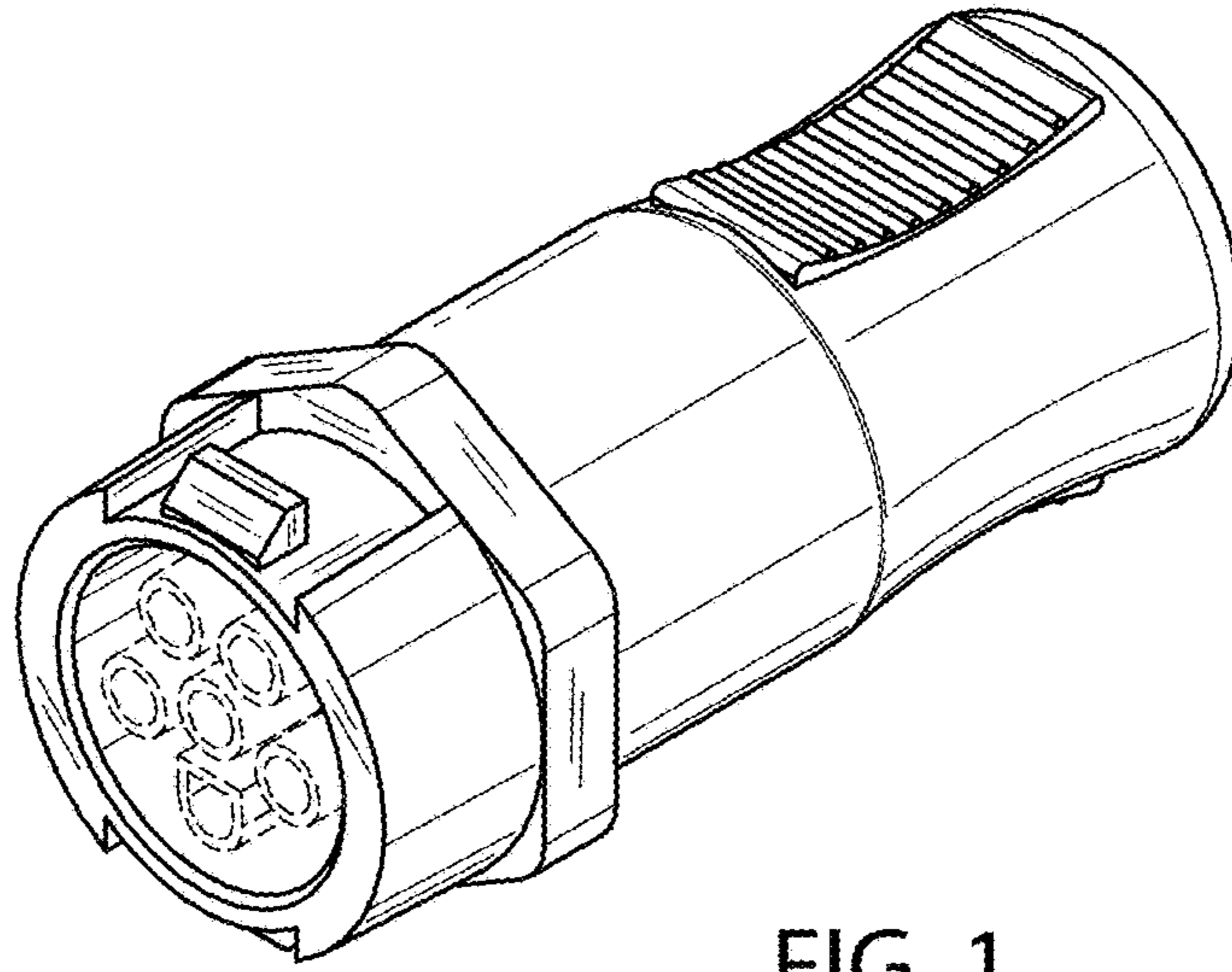


FIG. 1

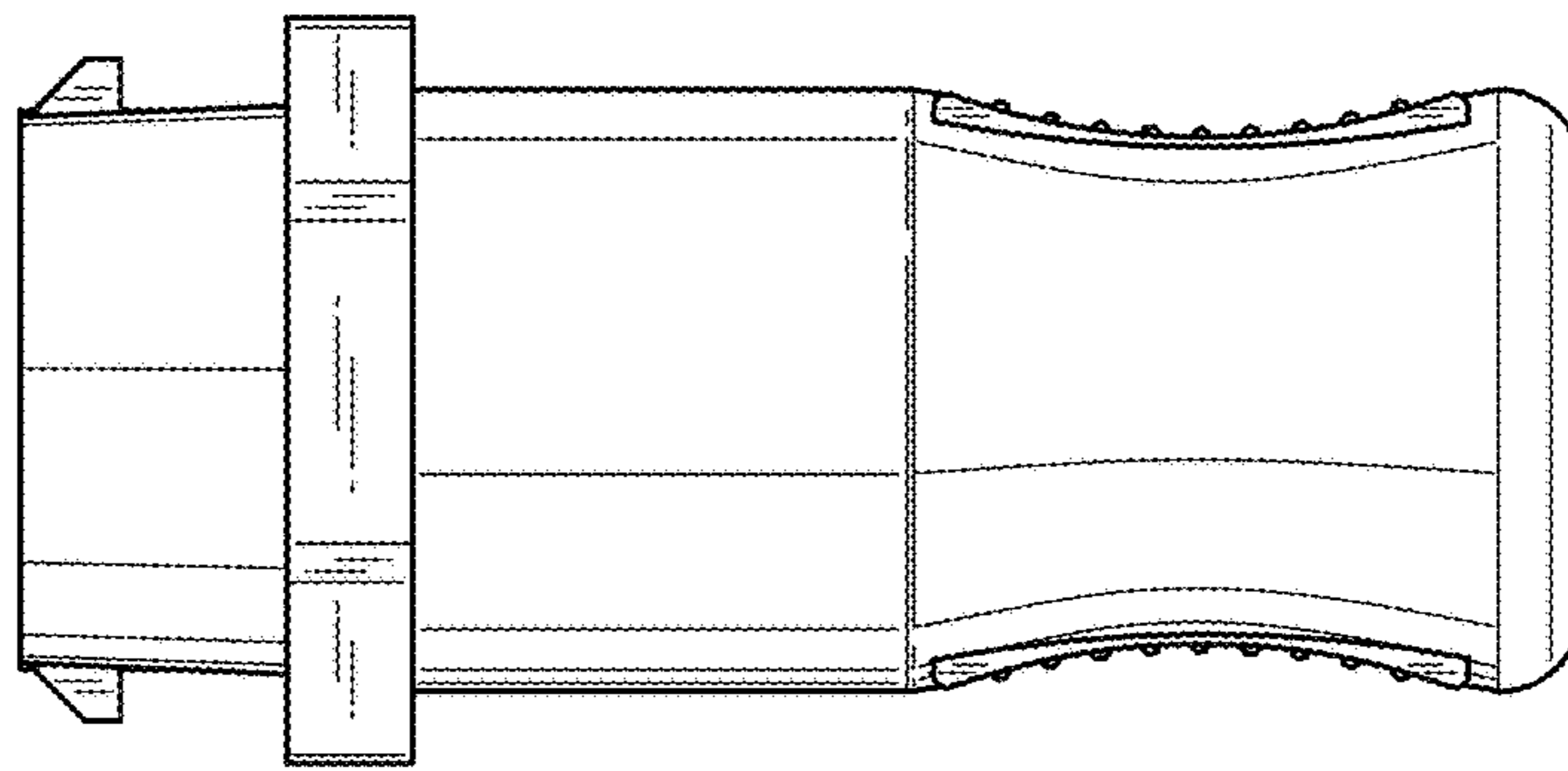


FIG. 2

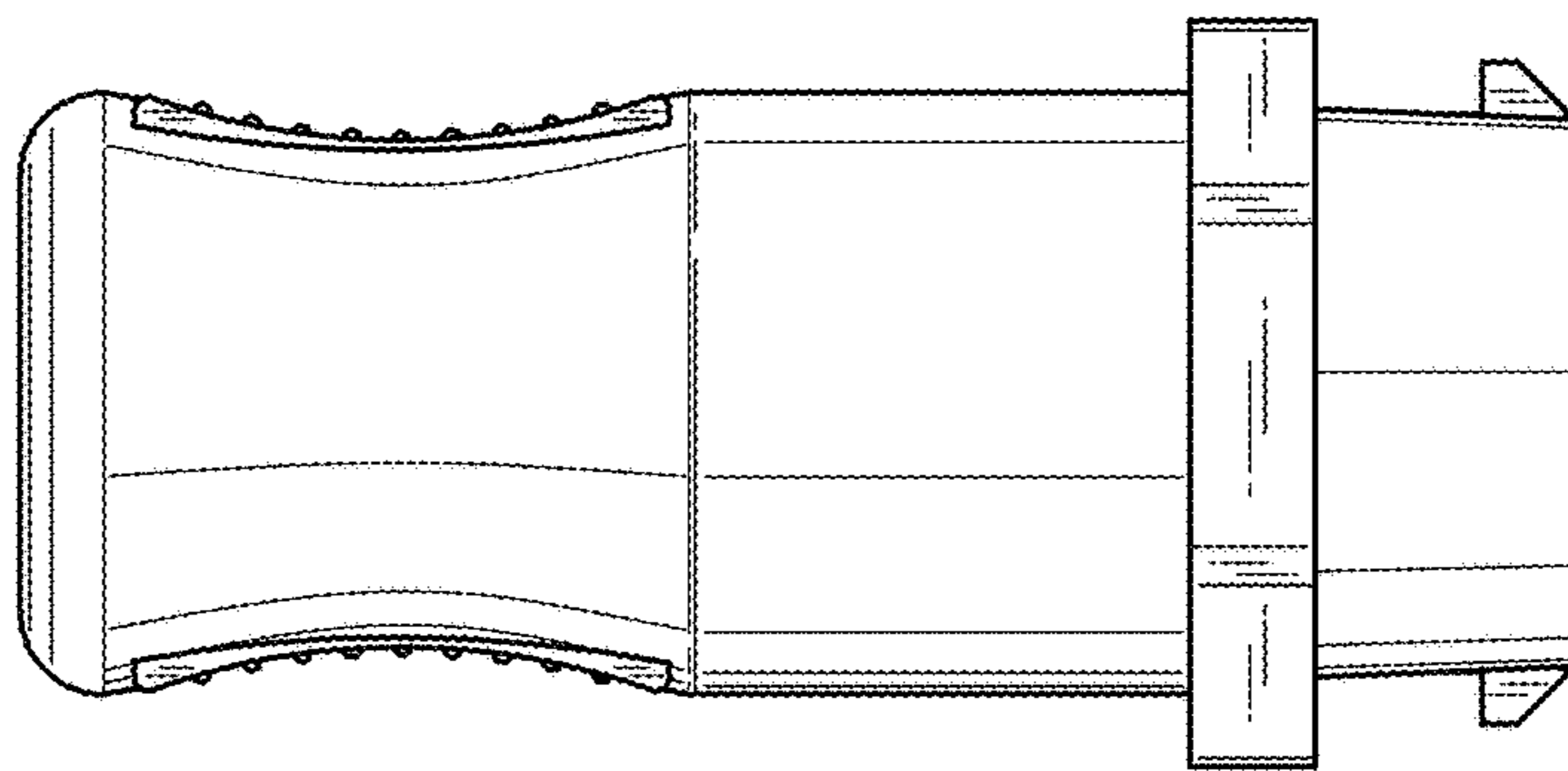


FIG. 3

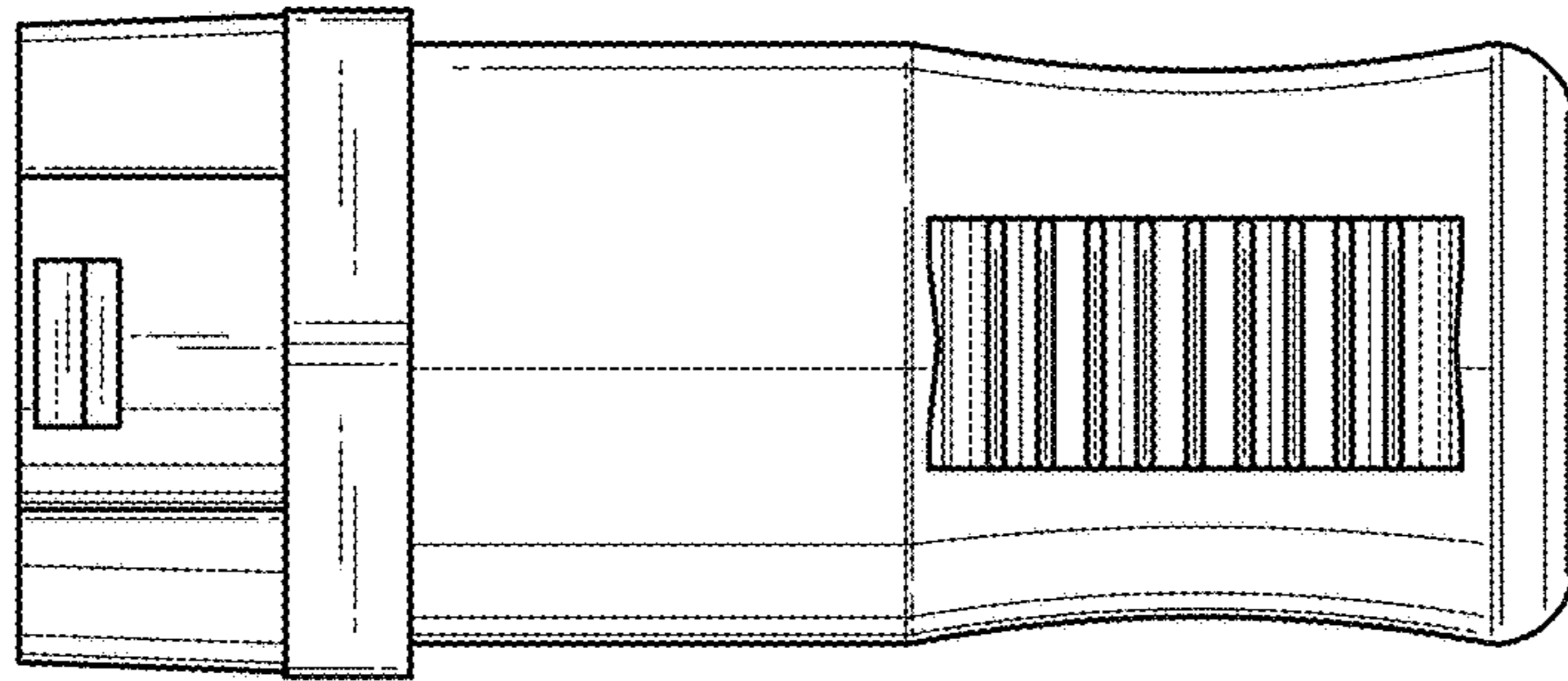


FIG. 4

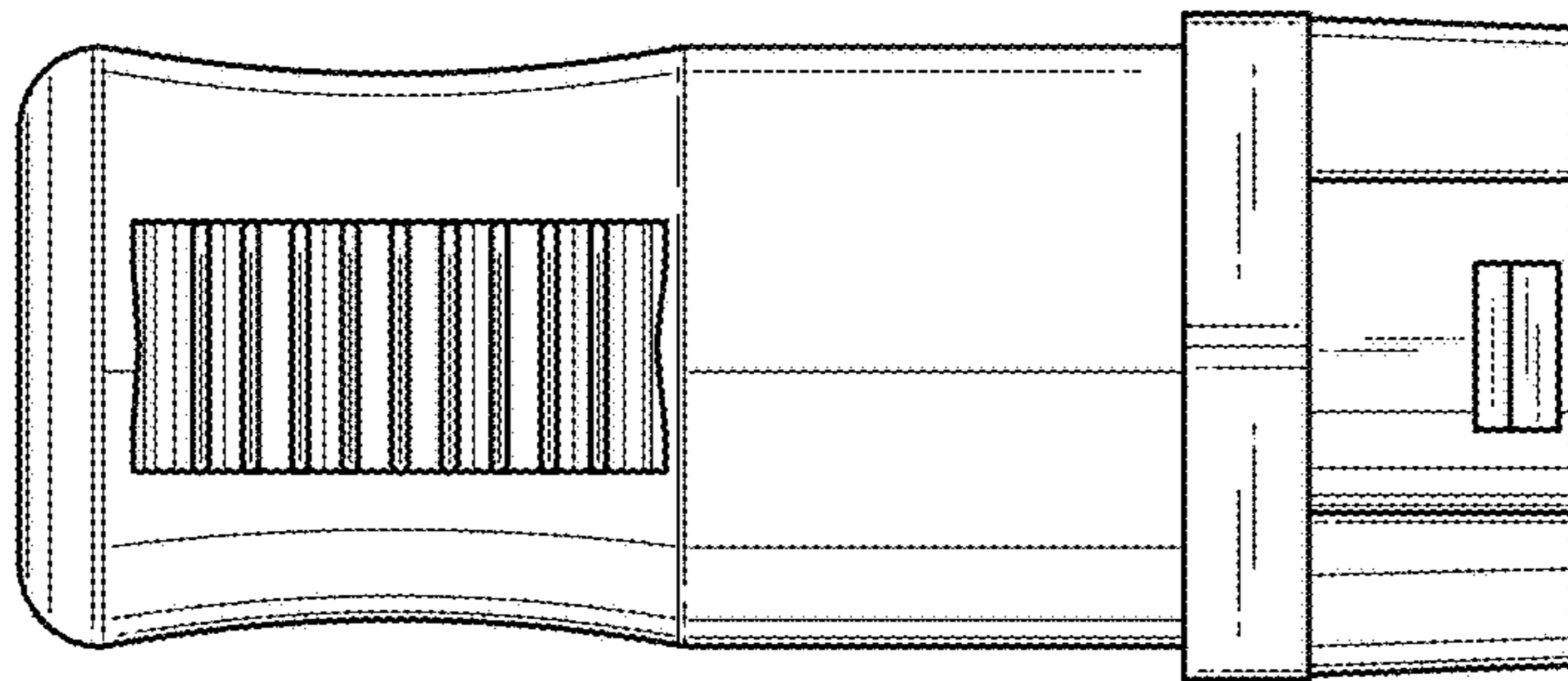


FIG. 5

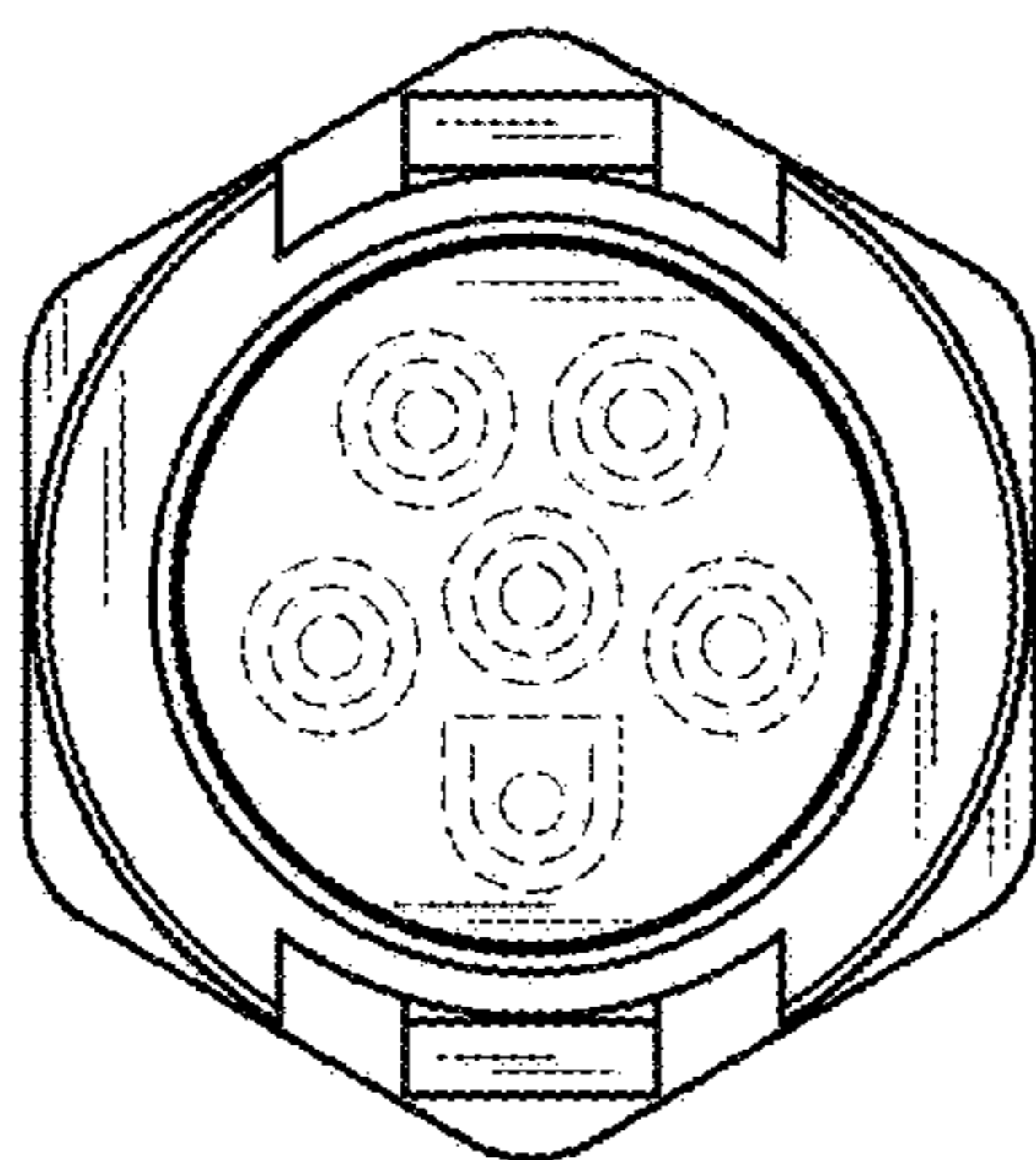


FIG. 6

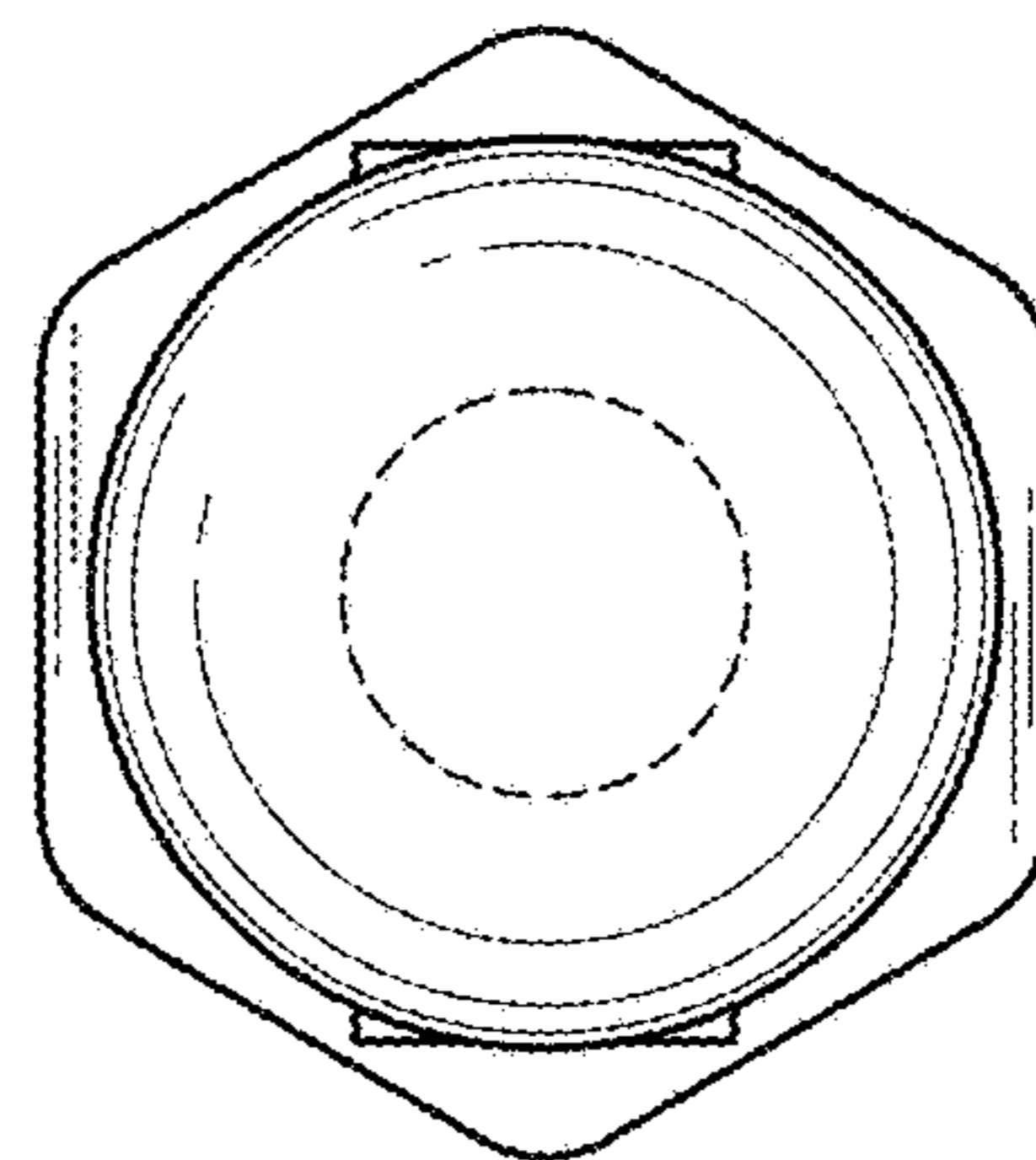


FIG. 7

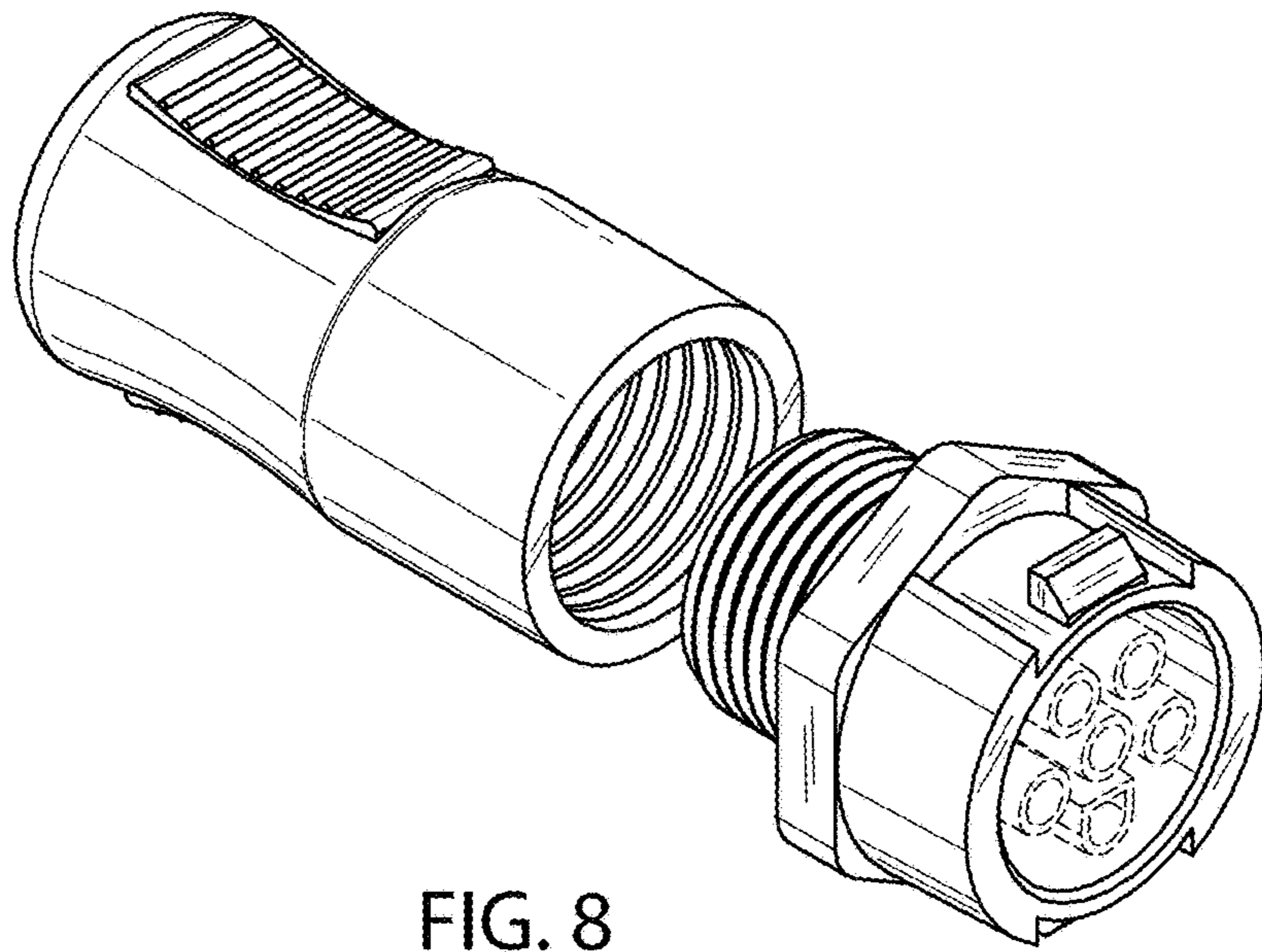


FIG. 8

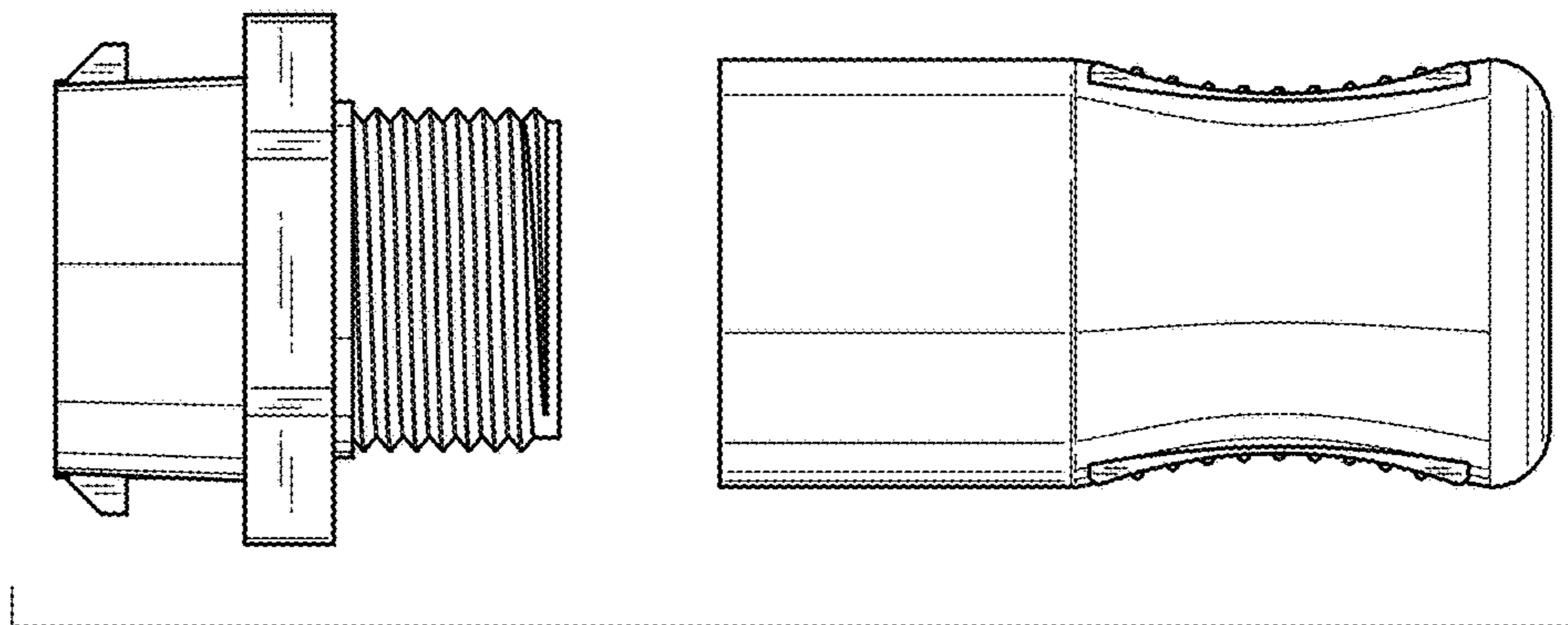


FIG. 9

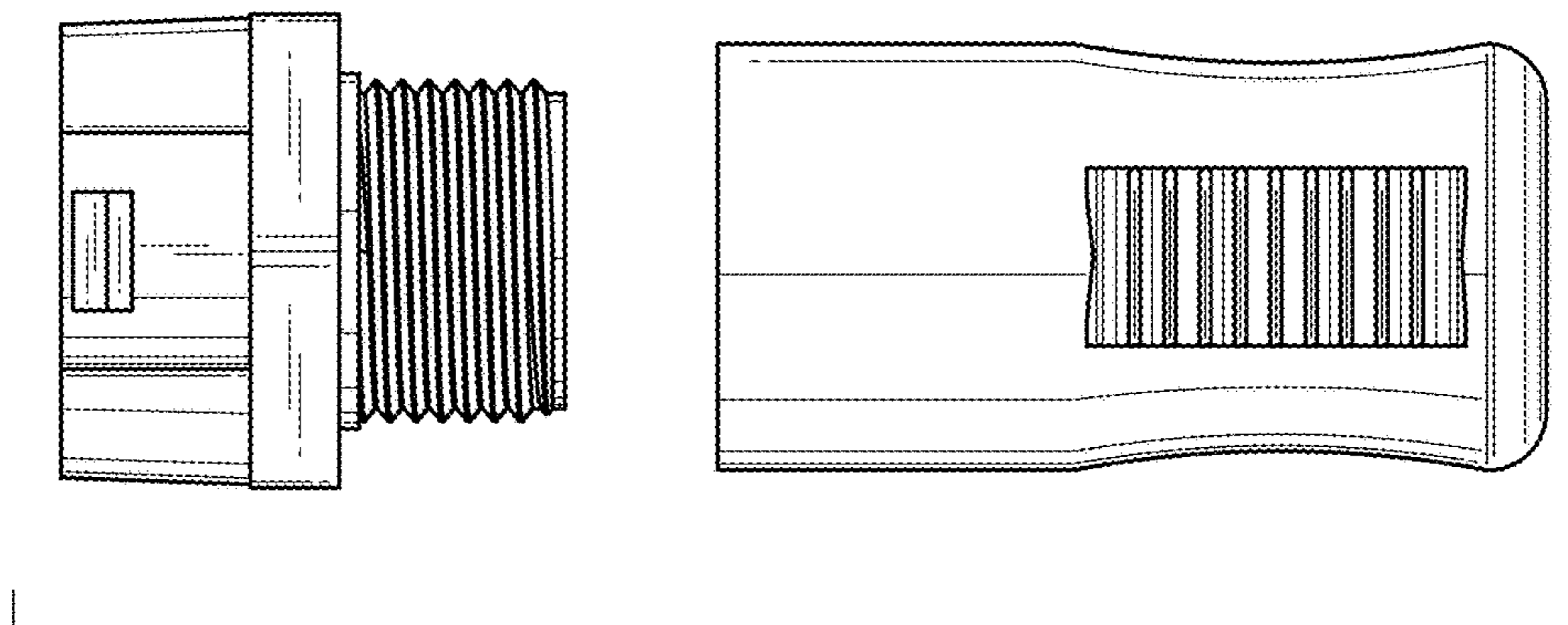


FIG. 10