



US00D824858S

(12) **United States Design Patent** (10) **Patent No.:** **US D824,858 S**
Naumann (45) **Date of Patent:** **** Aug. 7, 2018**

(54) **TERMINAL BLOCK FOR ELECTRICAL FITTING**

D735,682 S * 8/2015 Naumann D13/161
D741,272 S * 10/2015 Naumann D13/178
D762,594 S * 8/2016 Henning D13/161
2015/0357758 A1 * 12/2015 Krietzman H01R 13/639
439/345

(71) Applicant: **Wohner GmbH & Co. KG**
Elektrotechnische Systeme, Rodental
(DE)

* cited by examiner

(72) Inventor: **Peter Naumann**, Rodental (DE)

Primary Examiner — Daniel Bui

(73) Assignee: **WOHNER GMBH & CO. KG**
ELEKTROTECHNISCHE
SYSTEME, Rodental (DE)

(74) *Attorney, Agent, or Firm* — Millen, White, Zelano &
Branigan, P.C.; William Nixon

(**) Term: **15 Years**

(57) **CLAIM**

(21) Appl. No.: **29/554,153**

The ornamental design for a terminal block for an electrical fitting, as shown and described.

(22) Filed: **Feb. 9, 2016**

(30) **Foreign Application Priority Data**

DESCRIPTION

Aug. 13, 2015 (EM) 002754333-0001
Aug. 13, 2015 (EM) 002754333-0002

(51) **LOC (11) Cl.** **13-03**

(52) **U.S. Cl.**
USPC **D13/147**

(58) **Field of Classification Search**
USPC D13/123, 133, 146, 147, 154, 184, 199
CPC H01H 9/10; H01H 85/02; H01H 85/36;
H01H 85/43

See application file for complete search history.

FIG. 1 is a top, front, and left side perspective view of a terminal block for an electrical fitting showing my new design;

FIG. 2 is a bottom plan view thereof;

FIG. 3 is a top plan view thereof;

FIG. 4 is a right side elevational view thereof;

FIG. 5 is a left side elevational view thereof;

FIG. 6 is a front elevational view thereof; and,

FIG. 7 is a rear elevational view thereof.

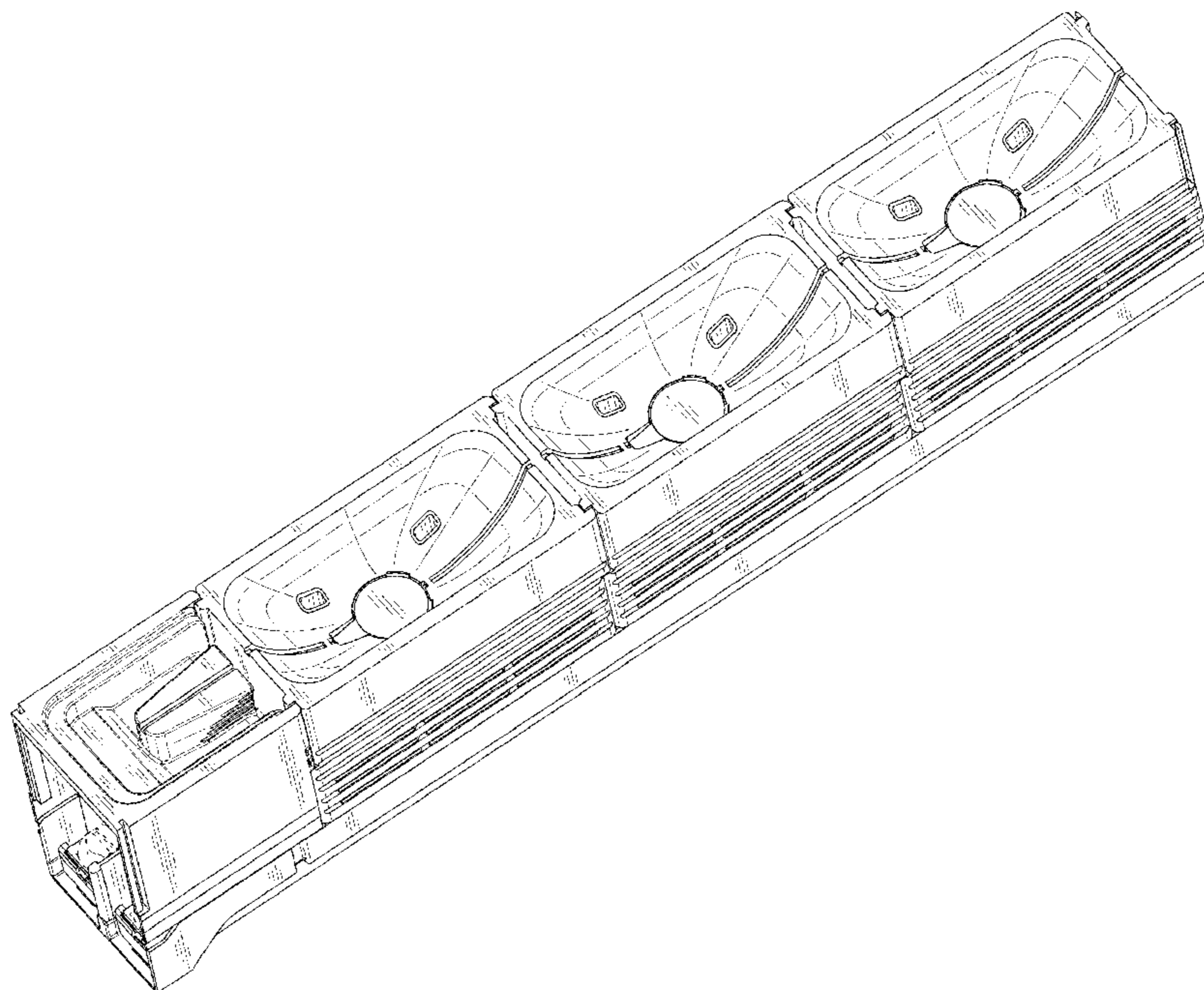
The broken lines shown in the drawing views represent unclaimed subject matter and forms no part of the claimed design.

(56) **References Cited**

U.S. PATENT DOCUMENTS

D396,475 S * 7/1998 Bradshaw D13/147
D714,730 S * 10/2014 Osada D13/147

1 Claim, 7 Drawing Sheets



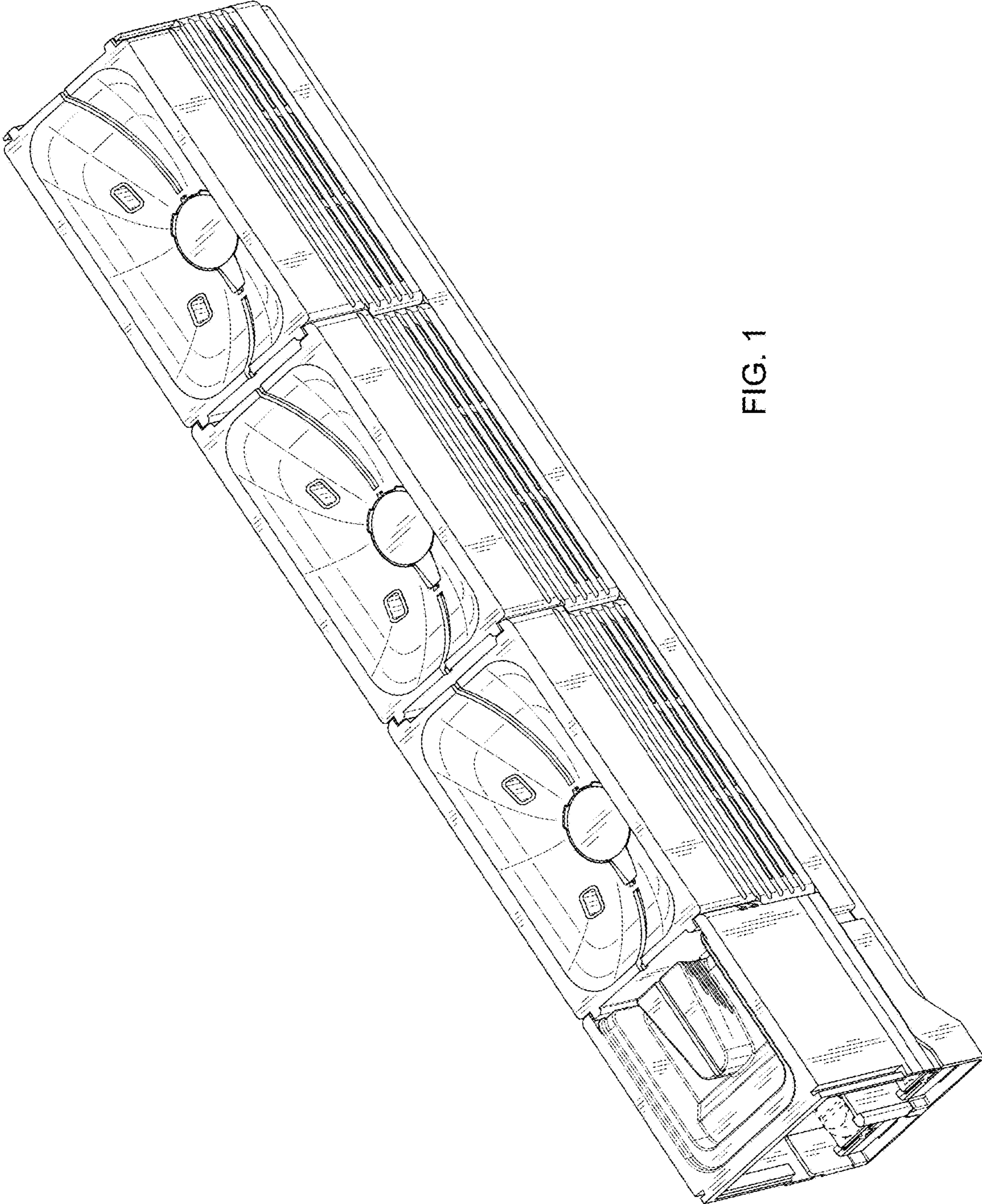


FIG. 1

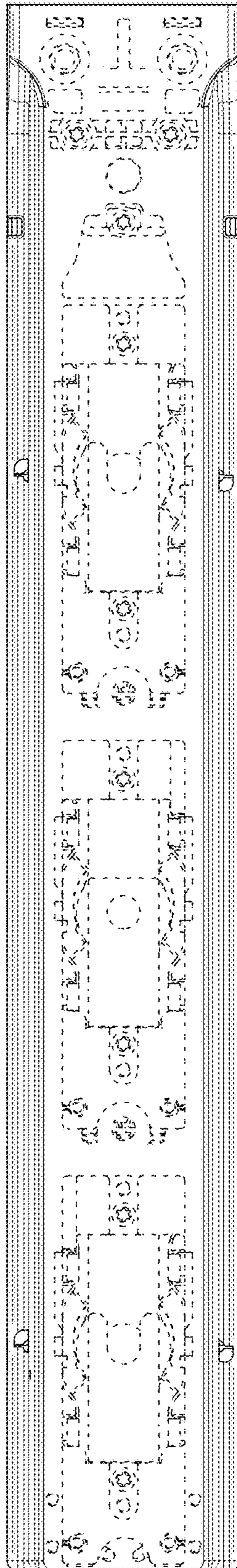


FIG. 2

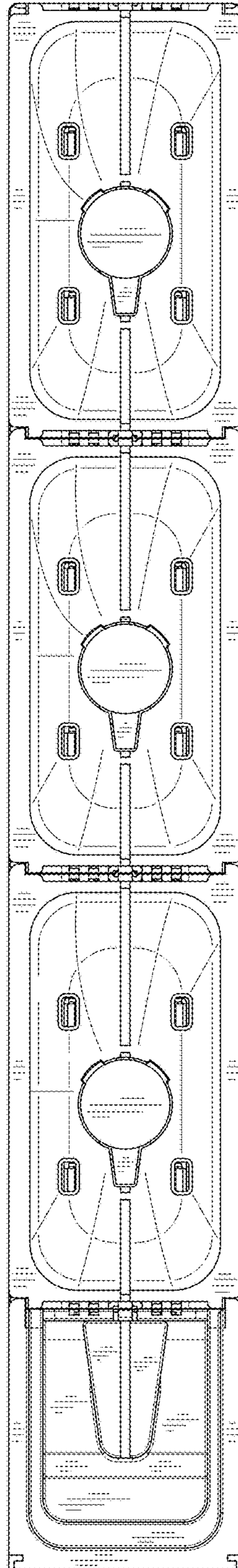


FIG. 3

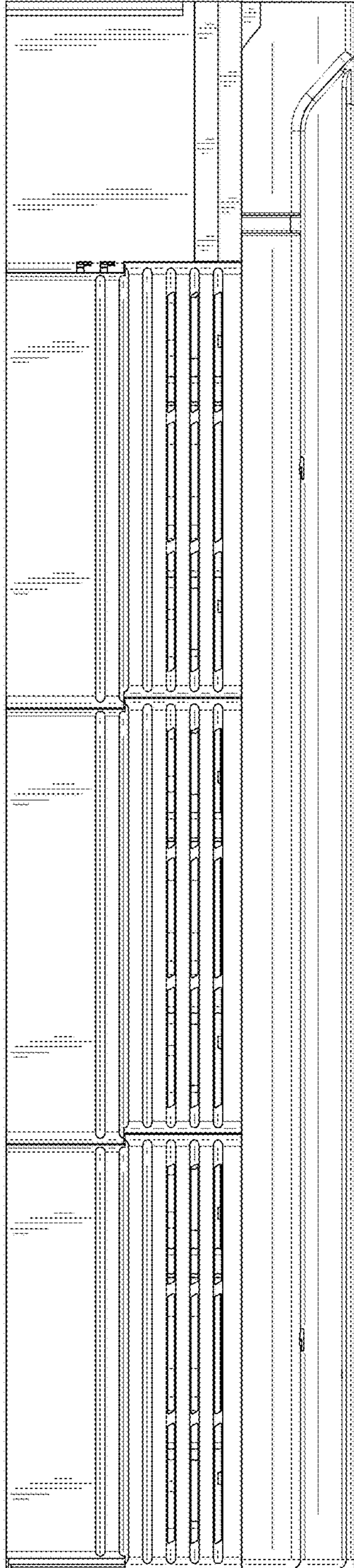


FIG. 4

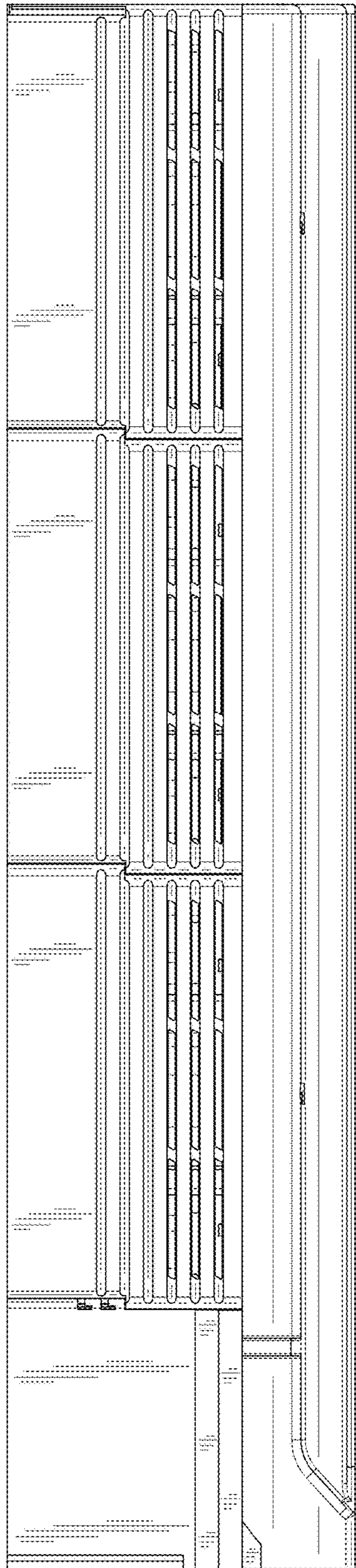


FIG. 5

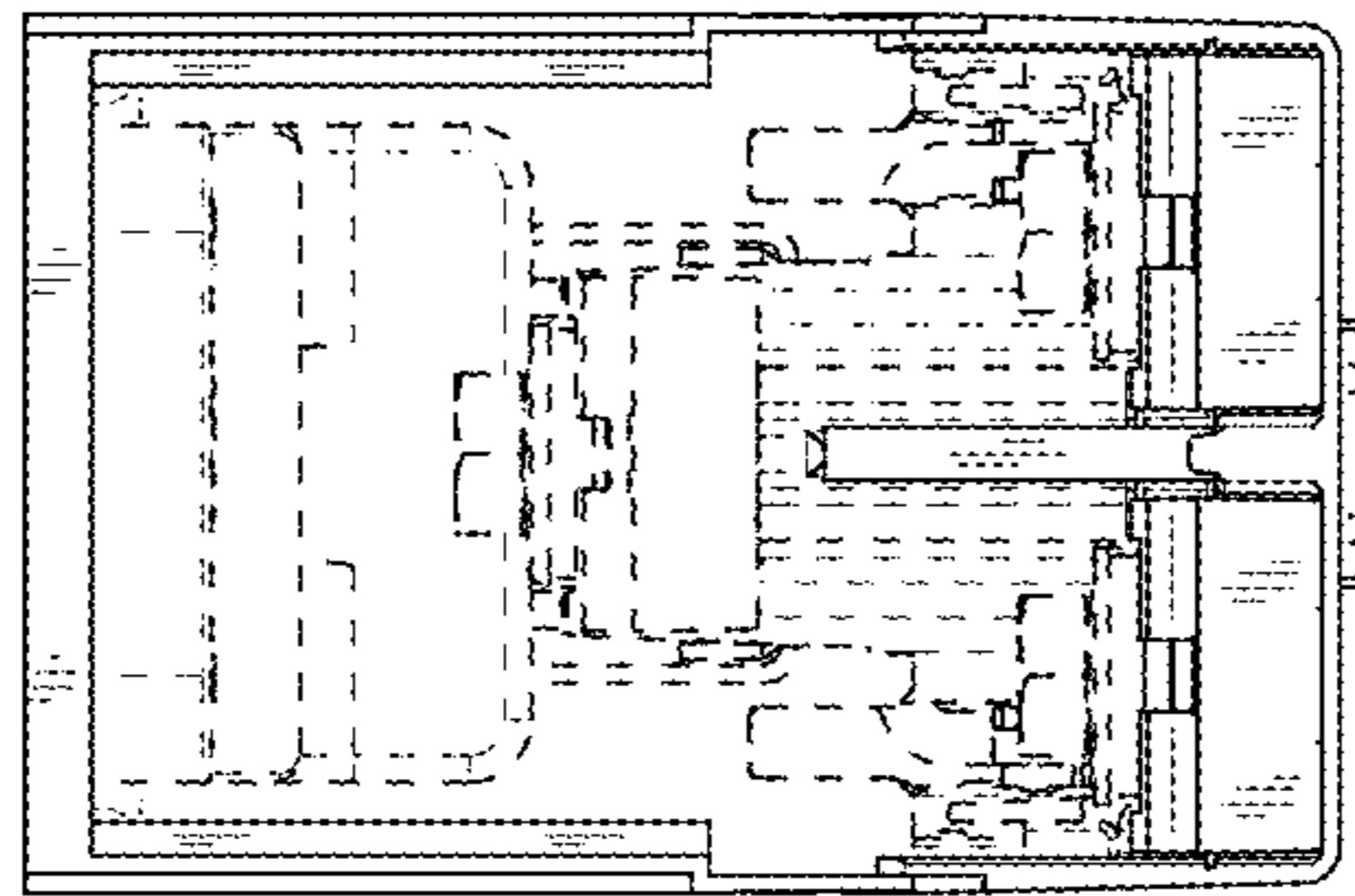


FIG. 6

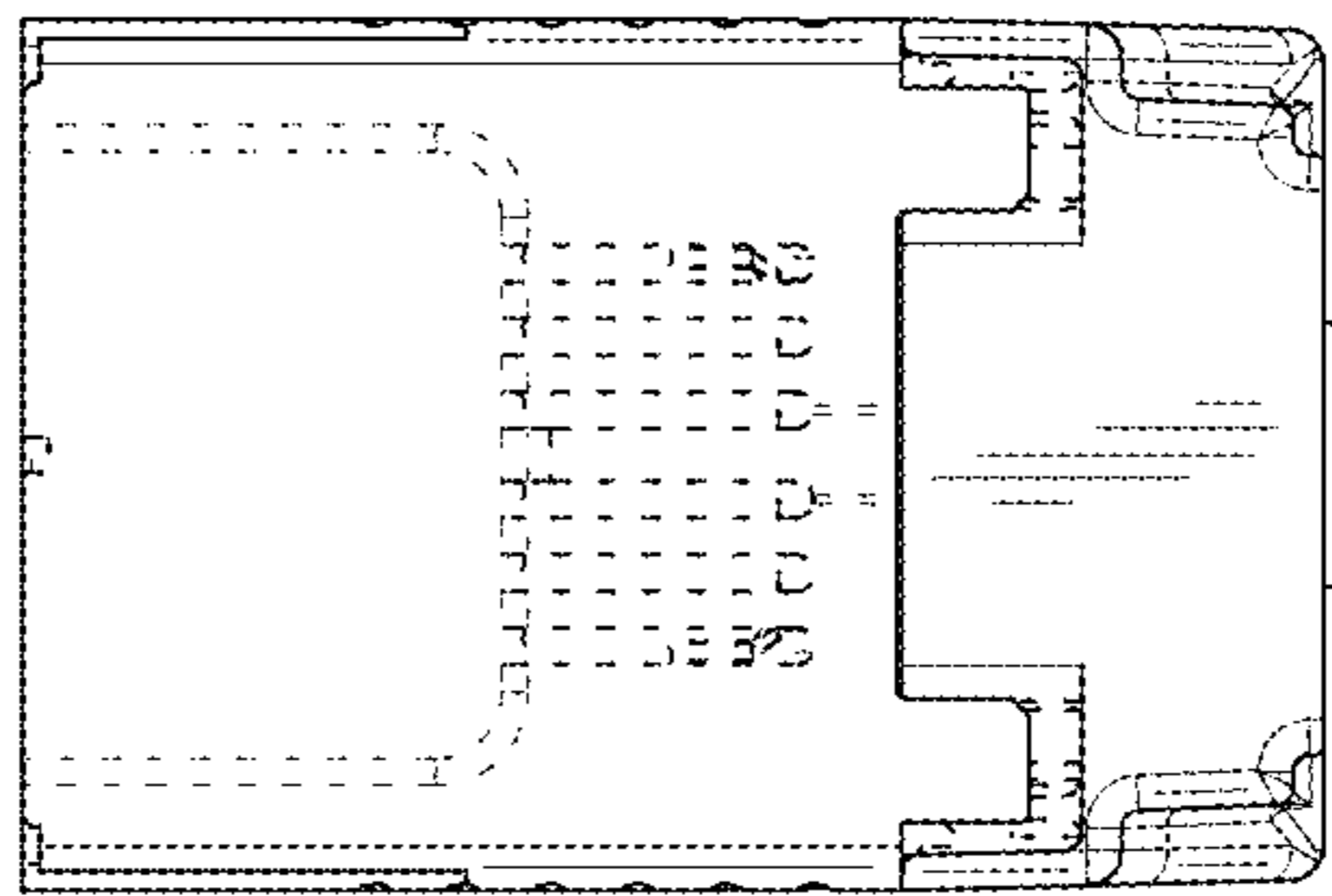


FIG. 7