



US00D824857S

(12) **United States Design Patent** (10) **Patent No.:** **US D824,857 S**  
**Vogel et al.** (45) **Date of Patent:** **\*\* Aug. 7, 2018**

(54) **CABLE CONNECTOR**

(56) **References Cited**

(71) Applicants: **BECKHOFF AUTOMATION GMBH**,  
Verl (DE); **CONEC**  
**ELEKTRONISCHE**  
**BAUELEMENTE GMBH**, Lippstadt  
(DE)

U.S. PATENT DOCUMENTS

D506,439	S	*	6/2005	Wang	.....	D13/133
D547,270	S	*	7/2007	Brookmire	.....	D13/133
D580,360	S	*	11/2008	Vitito	.....	D13/146
D596,127	S	*	7/2009	Nania	.....	D13/147
D600,649	S	*	9/2009	Smith	.....	D13/133
D604,242	S	*	11/2009	Kiely	.....	D13/133
D616,825	S	*	6/2010	Nania	.....	D13/133
D696,631	S	*	12/2013	Price	.....	D13/147
D709,456	S	*	7/2014	Yokoyama	.....	D13/147
D713,792	S	*	9/2014	Muller	.....	D13/147
D737,771	S	*	9/2015	Hofmann	.....	D13/133
D737,782	S	*	9/2015	Nook	.....	D13/120
D746,777	S	*	1/2016	Laven	.....	D13/146
D750,562	S	*	3/2016	Makimura	.....	D13/133
D753,065	S	*	4/2016	Corona	.....	D13/146
D755,126	S	*	5/2016	Denpoya	.....	D13/133
D755,721	S	*	5/2016	Bies	.....	D13/137.1
D770,386	S	*	11/2016	Corona	.....	D13/146
D787,446	S	*	5/2017	Cockerill	.....	D13/146
D787,448	S	*	5/2017	Robert	.....	D13/151
D789,296	S	*	6/2017	Gripenstroh	.....	D13/133
D792,855	S	*	7/2017	Smith	.....	D13/147
D797,673	S	*	9/2017	Liao	.....	D13/133
D797,677	S	*	9/2017	Ozeki	.....	D13/147

(72) Inventors: **Florian Vogel**, Bielefeld (DE); **Thomas Rettig**, Rheda-Wiedenbrück (DE); **Dirk Bechtel**, Bielefeld (DE); **Werner Schmidt**, Halver (DE); **Christian Schramm**, Lippstadt (DE)

(73) Assignees: **Beckhoff Automation GmbH**, Verl (DE); **Conec Elektronische Bauelemente GmbH**, Lippstadt (DE)

(\*\*) Term: **15 Years**

(21) Appl. No.: **35/501,825**

(22) Filed: **May 4, 2016**

(80) **Hague Agreement Data**

Int. Filing Date: **May 4, 2016**

Int. Reg. No.: **DM/091215**

Int. Reg. Date: **May 4, 2016**

Int. Reg. Pub. Date: **Nov. 4, 2016**

(51) **LOC (11) Cl.** ..... **13-03**

(52) **U.S. Cl.**  
USPC ..... **D13/146**

(58) **Field of Classification Search**  
USPC ..... D13/133, 146, 147, 120, 137.1, 151;  
442/378  
CPC ..... B29C 47/02  
See application file for complete search history.

\* cited by examiner

*Primary Examiner* — Rhea Shields

(74) *Attorney, Agent, or Firm* — WRB-IP LLP

(57) **CLAIM**

The ornamental design for a cable connector, as shown and described.

**DESCRIPTION**

**31.1** is a perspective view;  
**31.2** is a side view;  
**31.3** is a front view; and  
**31.4** is another side view.

**1 Claim, 4 Drawing Sheets**

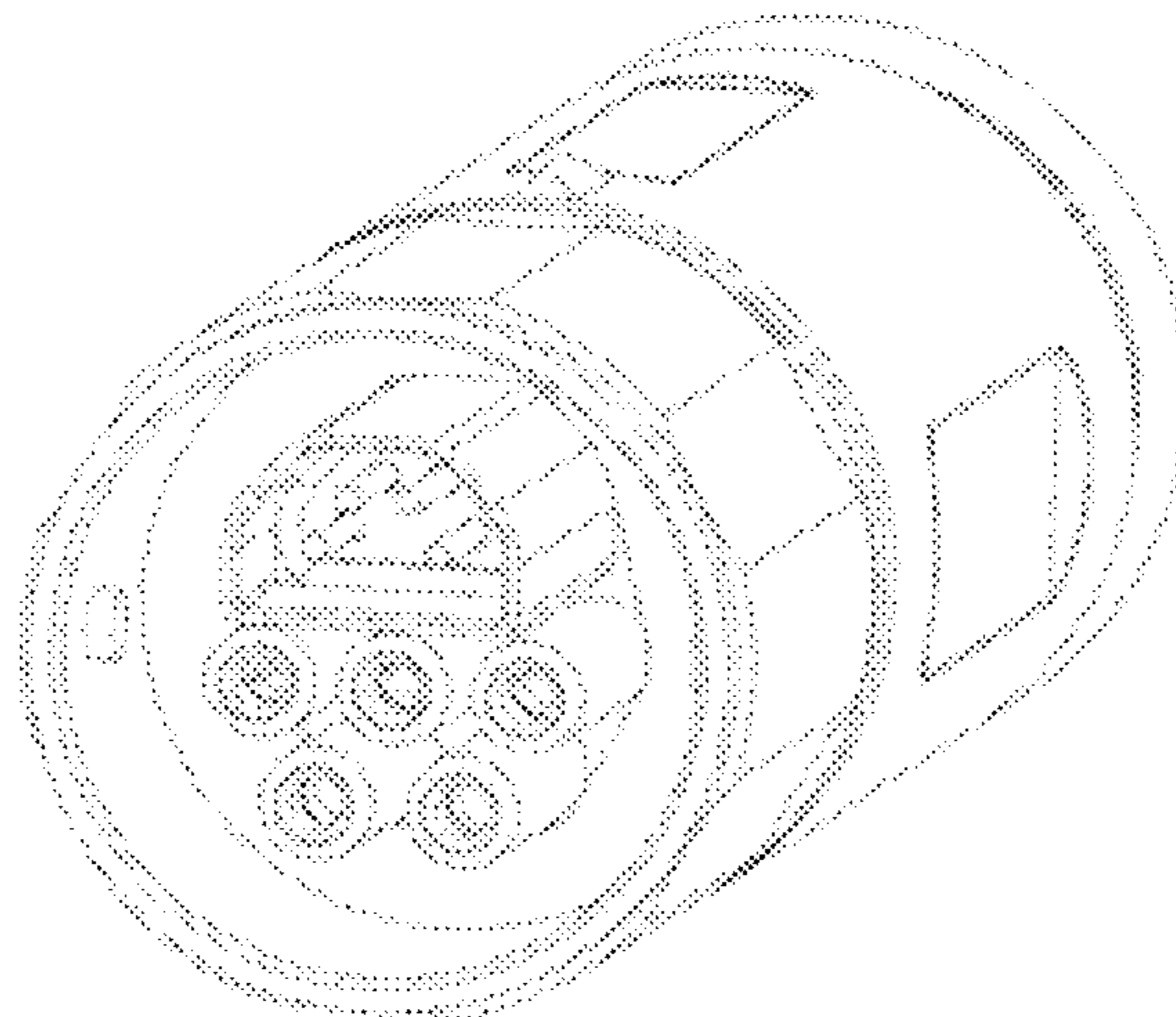


FIG. 31.1

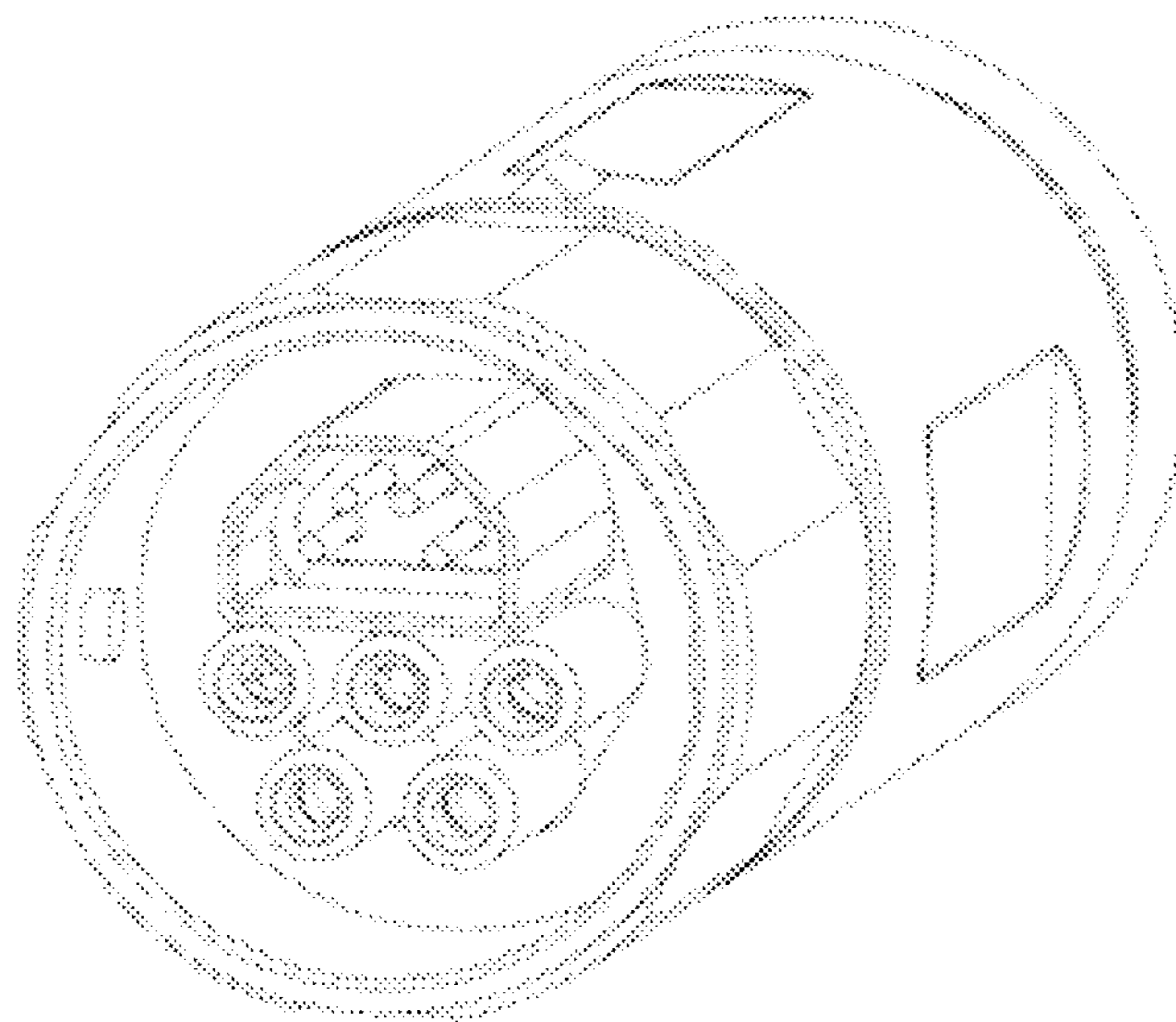


FIG. 31.2

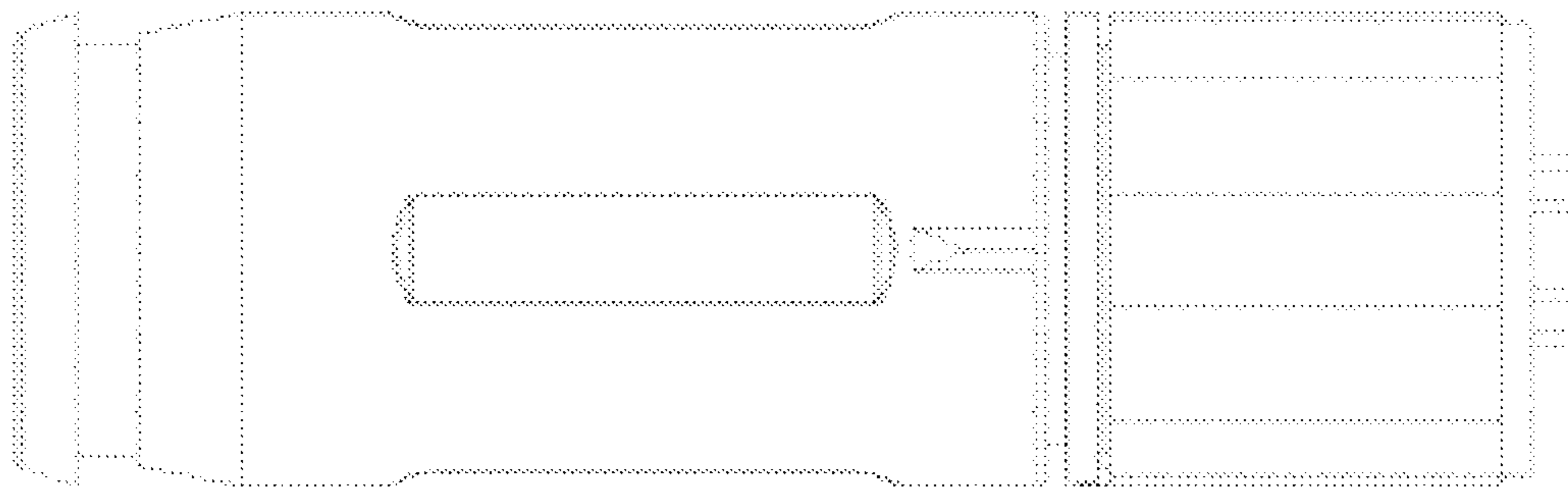


FIG. 31.3

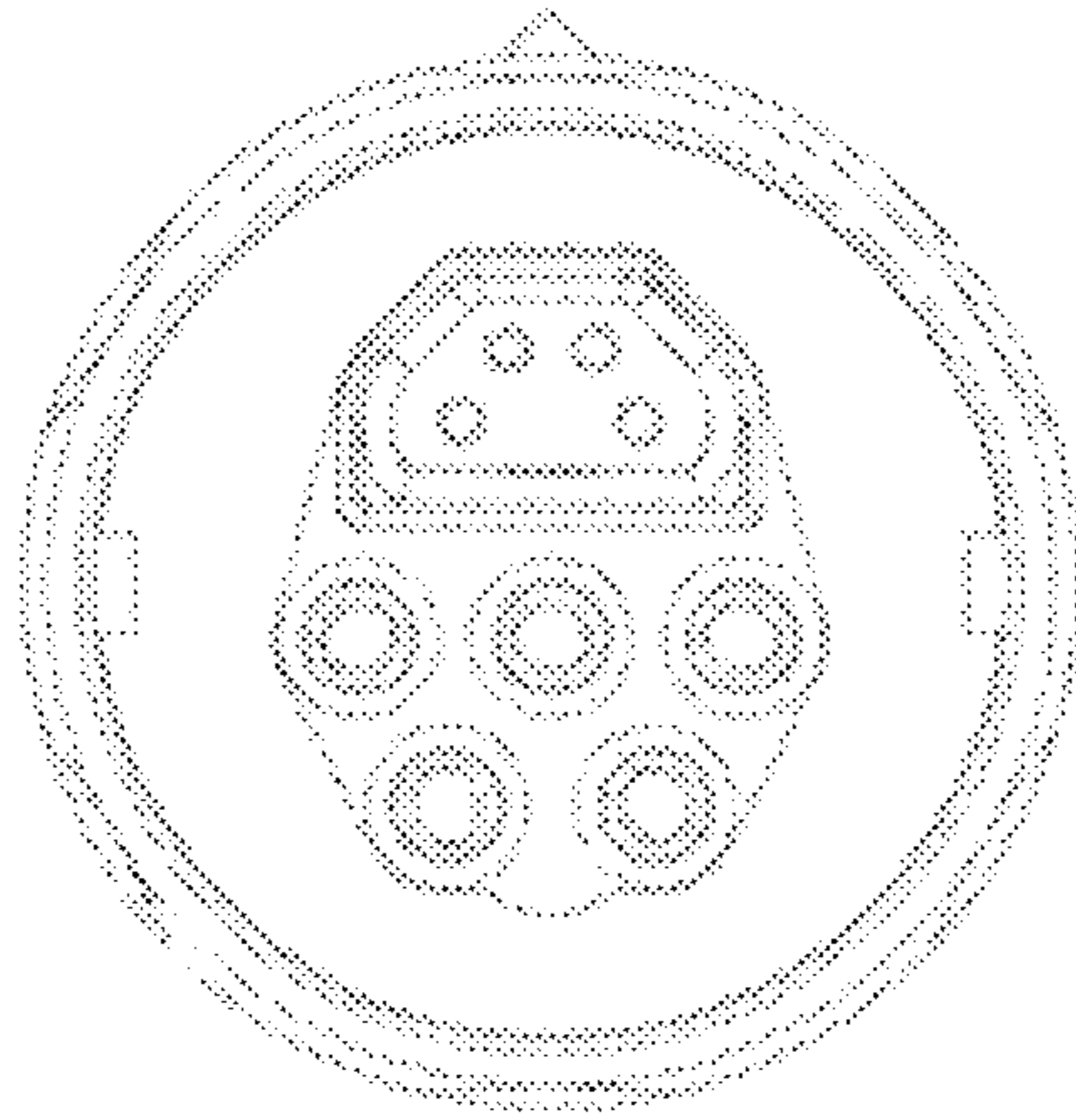


FIG. 31.4

