



US00D824855S

(12) **United States Design Patent**  
**Eshelman et al.**

(10) **Patent No.:** **US D824,855 S**

(45) **Date of Patent:** **\*\* Aug. 7, 2018**

(54) **POWER CORD END**

(71) Applicant: **360 Electrical, L.L.C.**, Salt Lake City, UT (US)

(72) Inventors: **Brandon Eshelman**, Salt Lake City, UT (US); **Cameron Bigler**, Lehi, UT (US); **Adam Boushley**, Midvale, UT (US)

(73) Assignee: **360 Electrical, L.L.C.**, Salt Lake City, UT (US)

(\*\*) Term: **15 Years**

(21) Appl. No.: **29/608,851**

(22) Filed: **Jun. 26, 2017**

(51) **LOC (11) Cl.** ..... **13-03**

(52) **U.S. Cl.**  
USPC ..... **D13/137.2**

(58) **Field of Classification Search**  
USPC ..... D13/108, 110, 123, 133, 137.1–137.4, D13/138.1–138.2, 139.1–139.8, 152–154, D13/146, 147, 156, 158; D14/433; D8/350–353

CPC ..... H01R 11/00; H01R 9/00; H01R 25/00; H01R 25/006; H01R 13/11; H01R 24/76  
See application file for complete search history.

(56) **References Cited**

U.S. PATENT DOCUMENTS

D373,566 S *	9/1996	Rak	.....	D13/133
D416,233 S *	11/1999	Tsai	.....	D13/147
D495,297 S *	8/2004	Hriscu	.....	D13/110
D612,333 S *	3/2010	Wu	.....	D13/139.1
D693,768 S *	11/2013	Alesi	.....	D13/110
D756,915 S *	5/2016	Yang	.....	D13/108
D756,916 S *	5/2016	Yang	.....	D13/108
D788,707 S *	6/2017	Gripenstroh	.....	D13/133
D790,458 S *	6/2017	He	.....	D13/108

D790,464 S *	6/2017	He	.....	D13/110
D799,423 S *	10/2017	Eliyahu	.....	D13/108
D810,017 S *	2/2018	Short	.....	D13/108

\* cited by examiner

*Primary Examiner* — Rosemary K Tarcza

*Assistant Examiner* — Christy M Nemeth

(74) *Attorney, Agent, or Firm* — Lauff Law PLLC

(57) **CLAIM**

The ornamental design for a power cord end, substantially as shown and described.

**DESCRIPTION**

FIG. 1 is a left front upper perspective view of the power cord end shown with other parts of the power cord depicted in broken lines;

FIG. 2 is a right front lower perspective view thereof;

FIG. 3 is a right rear upper perspective view of the power cord end;

FIG. 4 is a left front upper perspective view thereof;

FIG. 5 is a left elevation view thereof;

FIG. 6 is a left front lower perspective view thereof;

FIG. 7 is a right rear lower perspective view thereof;

FIG. 8 is a front elevation view thereof;

FIG. 9 is a rear elevation view thereof;

FIG. 10 is an upper plan view thereof;

FIG. 11 is a lower plan view thereof;

FIG. 12 is a right front upper perspective view thereof;

FIG. 13 is a left rear upper perspective view thereof;

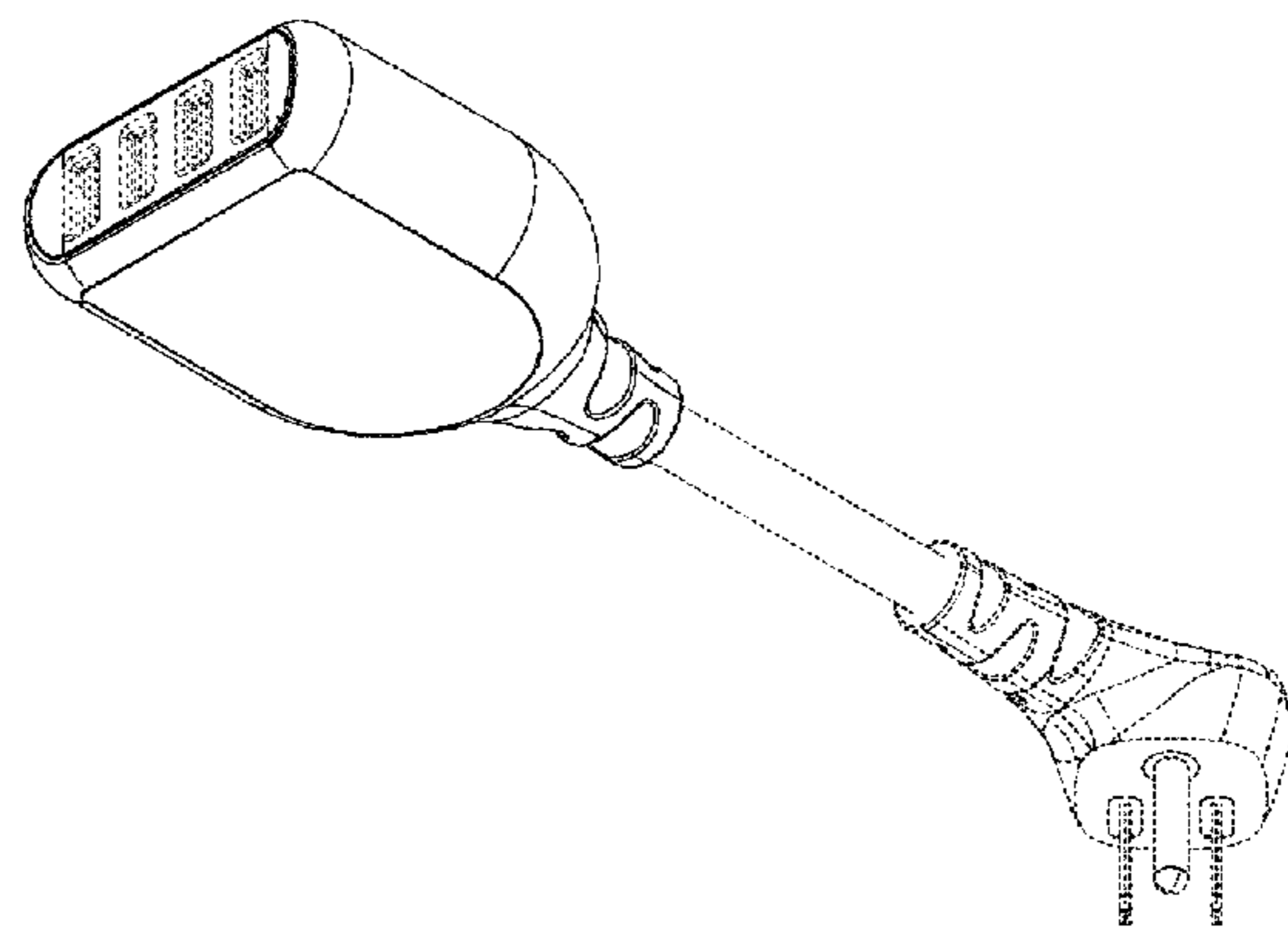
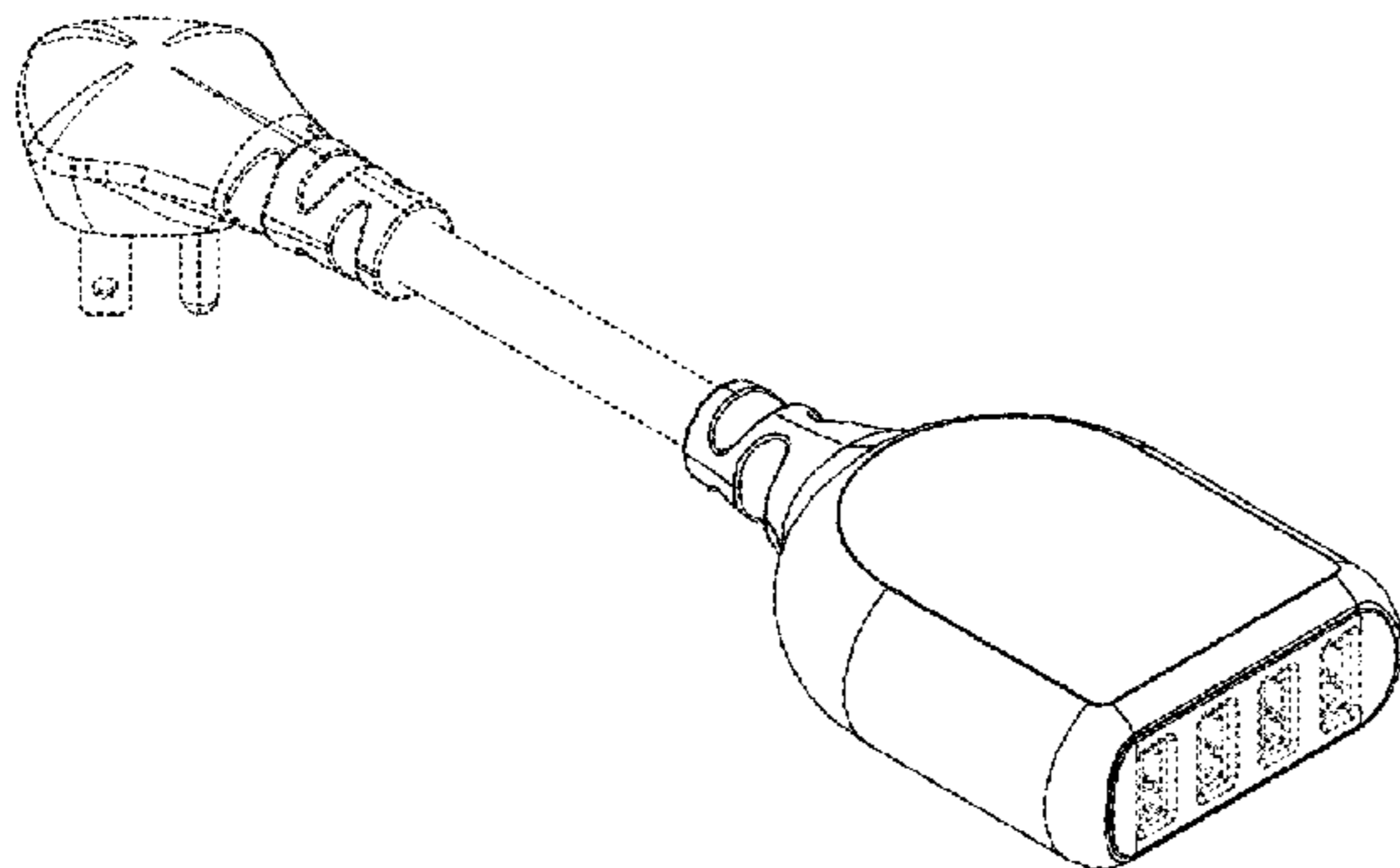
FIG. 14 is a right elevation view thereof;

FIG. 15 is a left rear lower perspective view thereof; and,

FIG. 16 is a right front lower perspective view thereof.

The broken lines in the drawings are for the purpose of illustrating environment and portions of the power cord end that form no part of the claimed design.

**1 Claim, 4 Drawing Sheets**



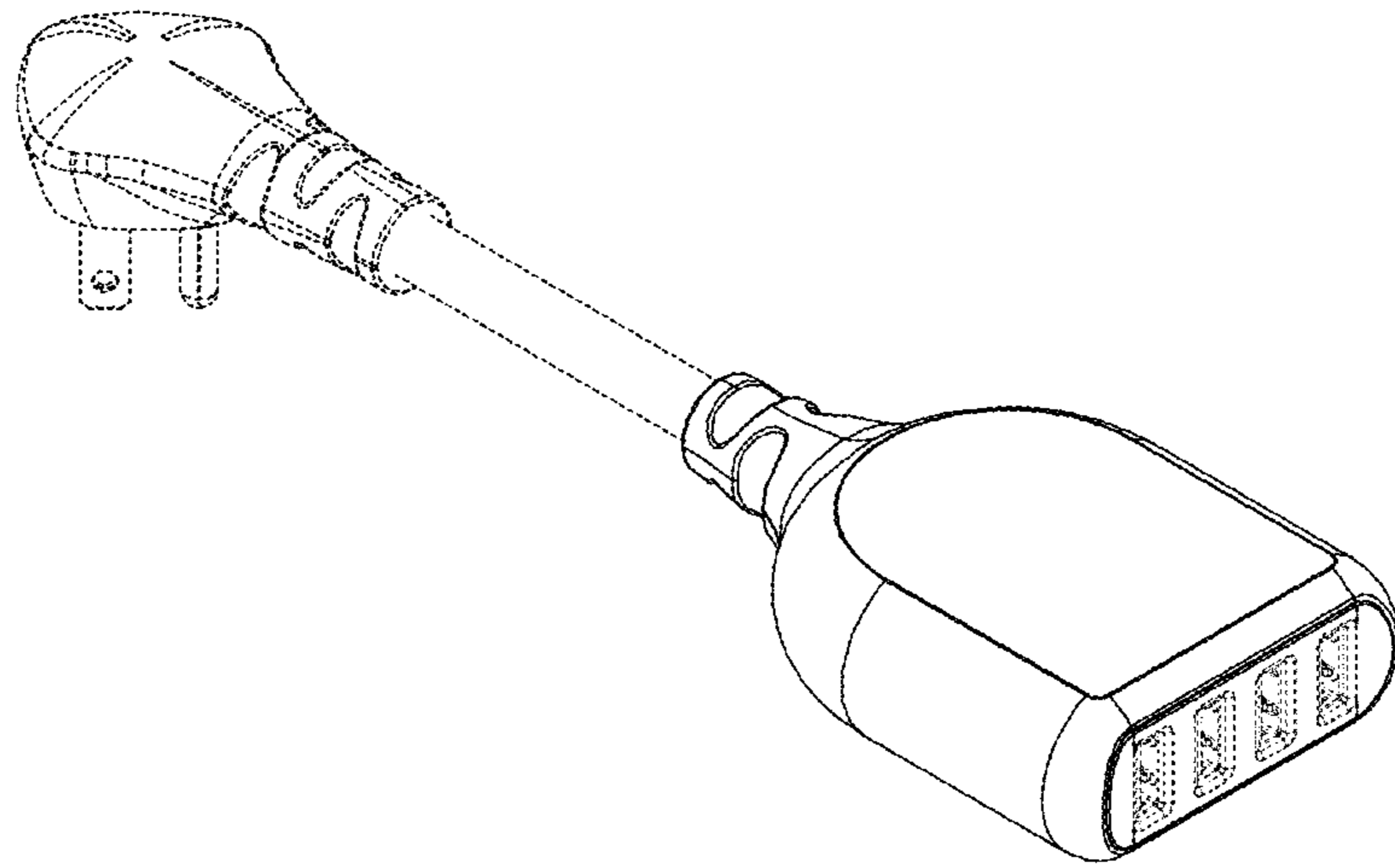


Fig. 1

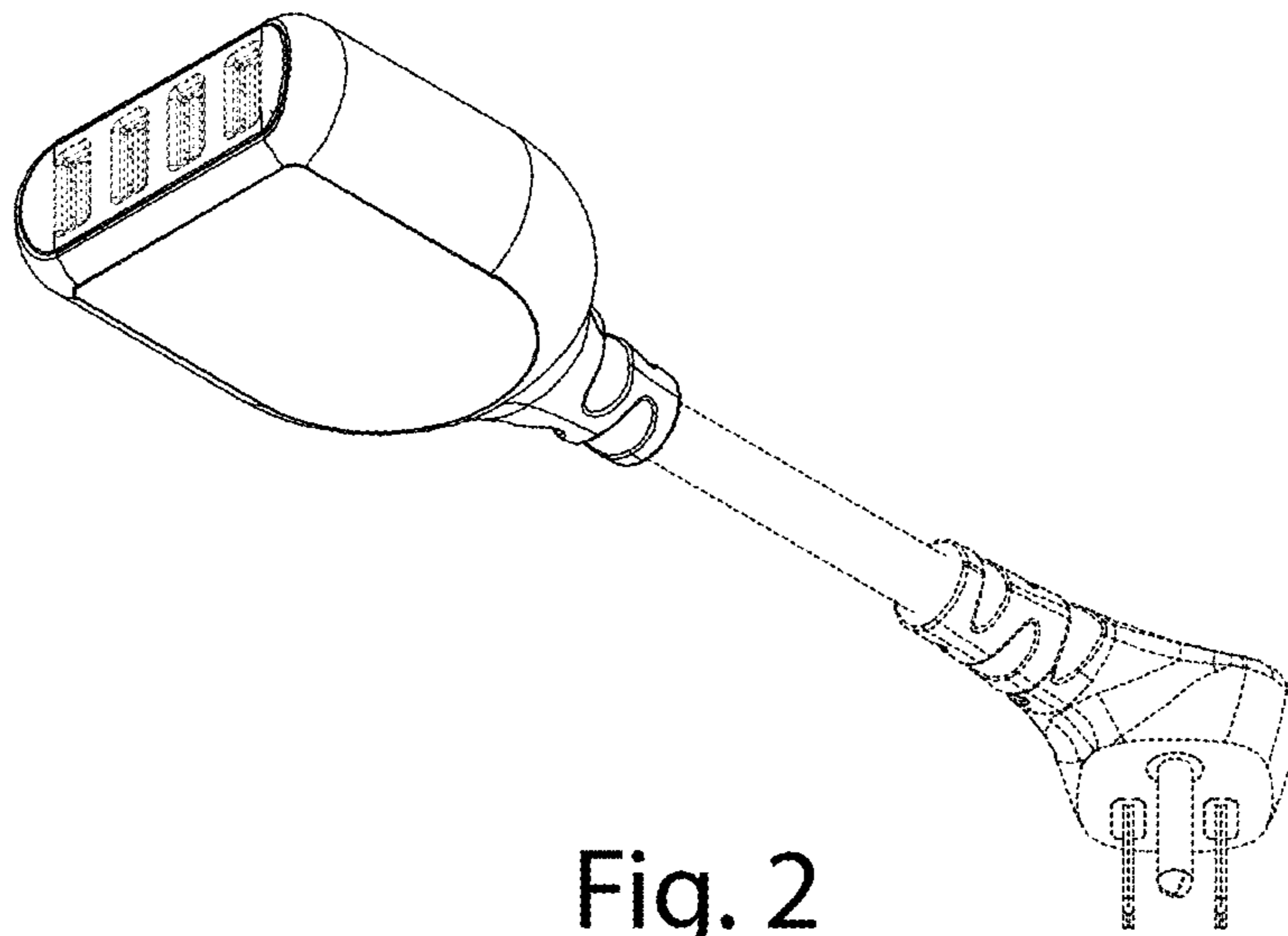


Fig. 2

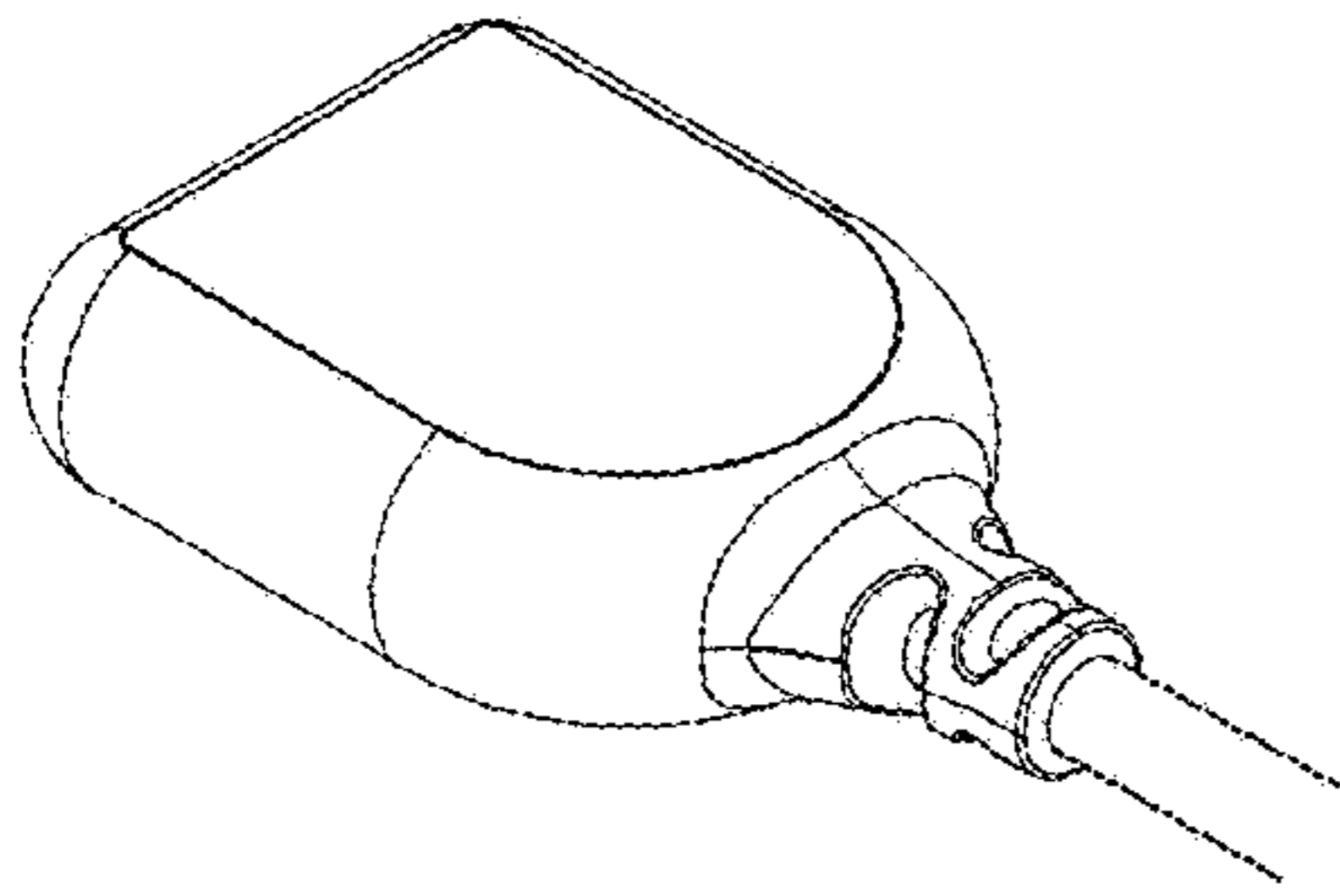


Fig. 3

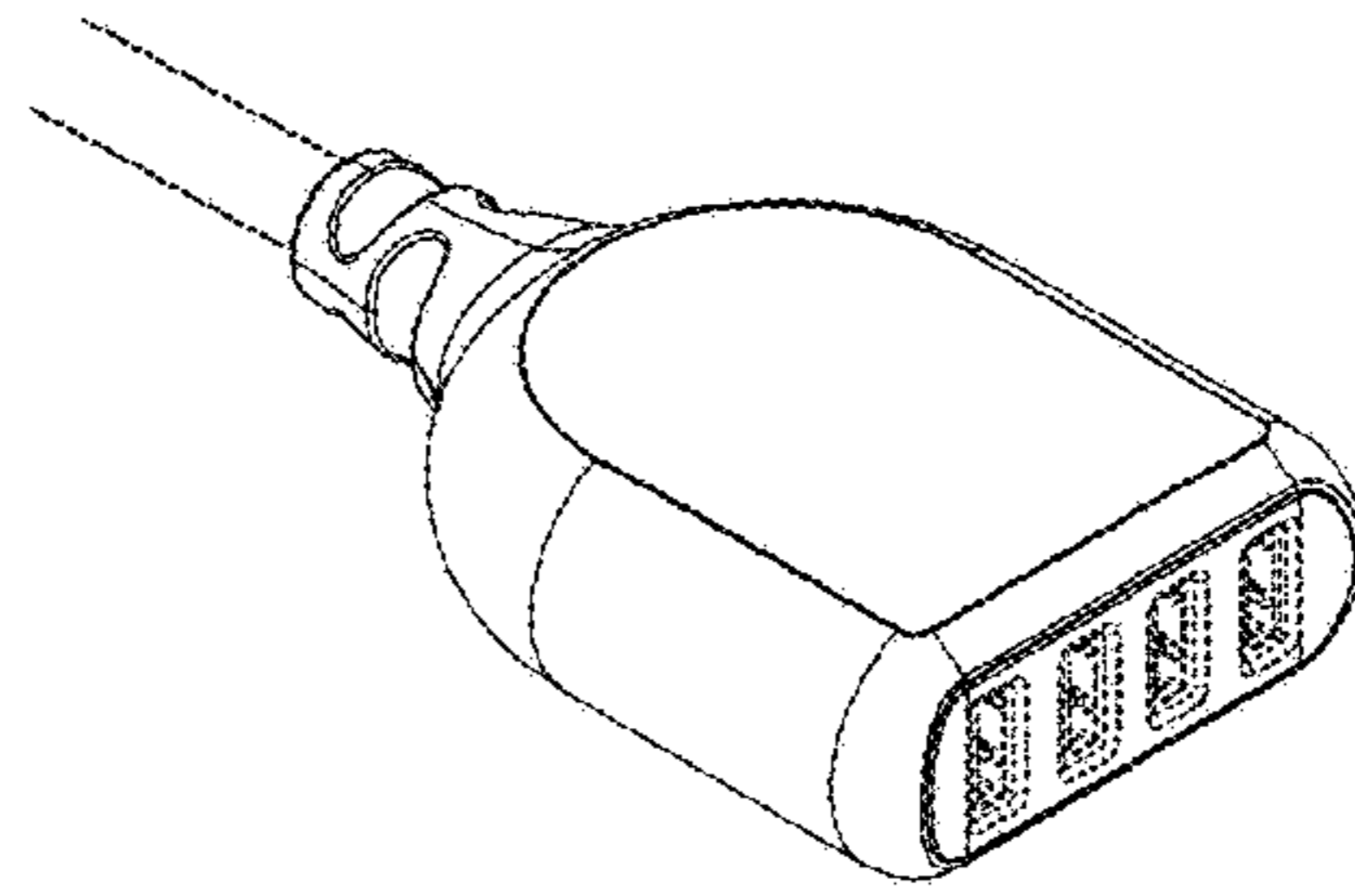


Fig. 4

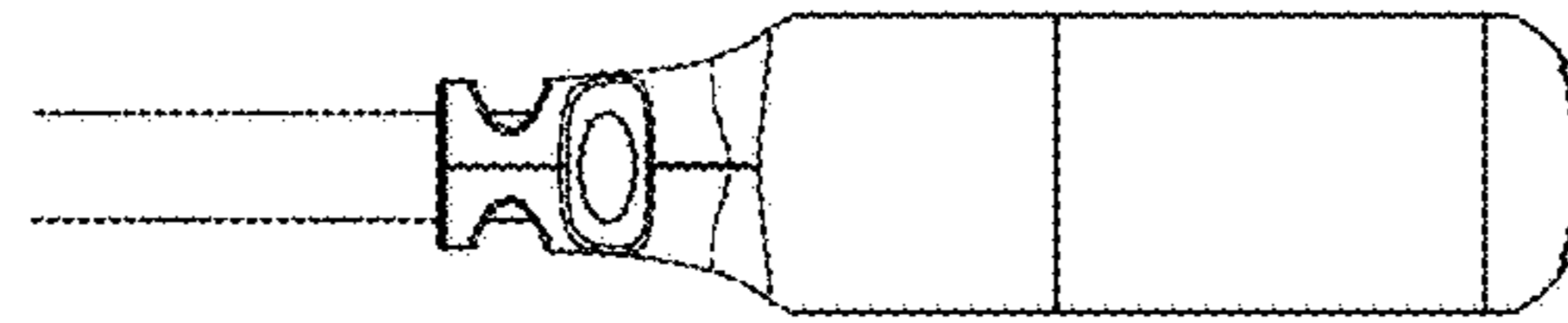


Fig. 5

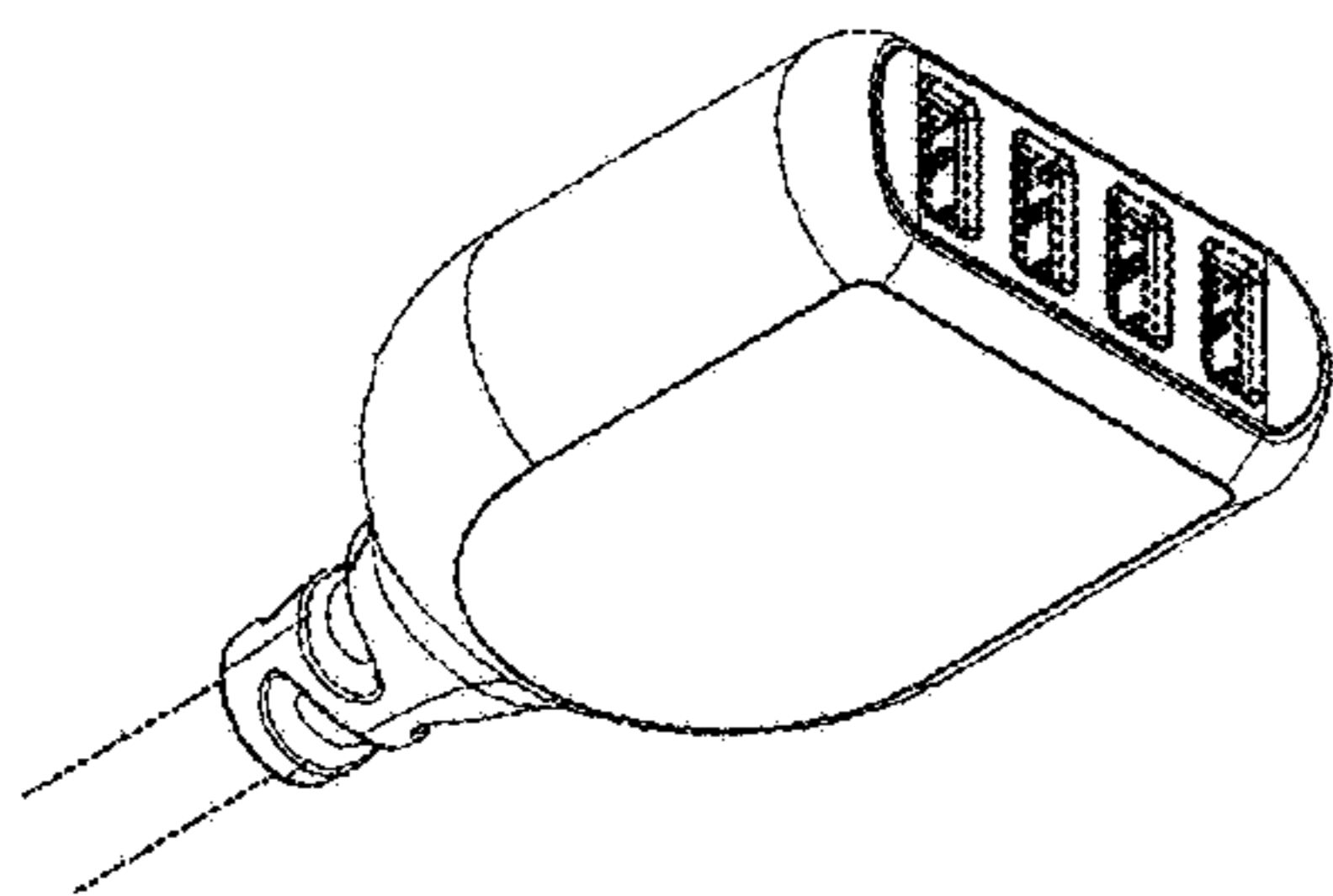


Fig. 6

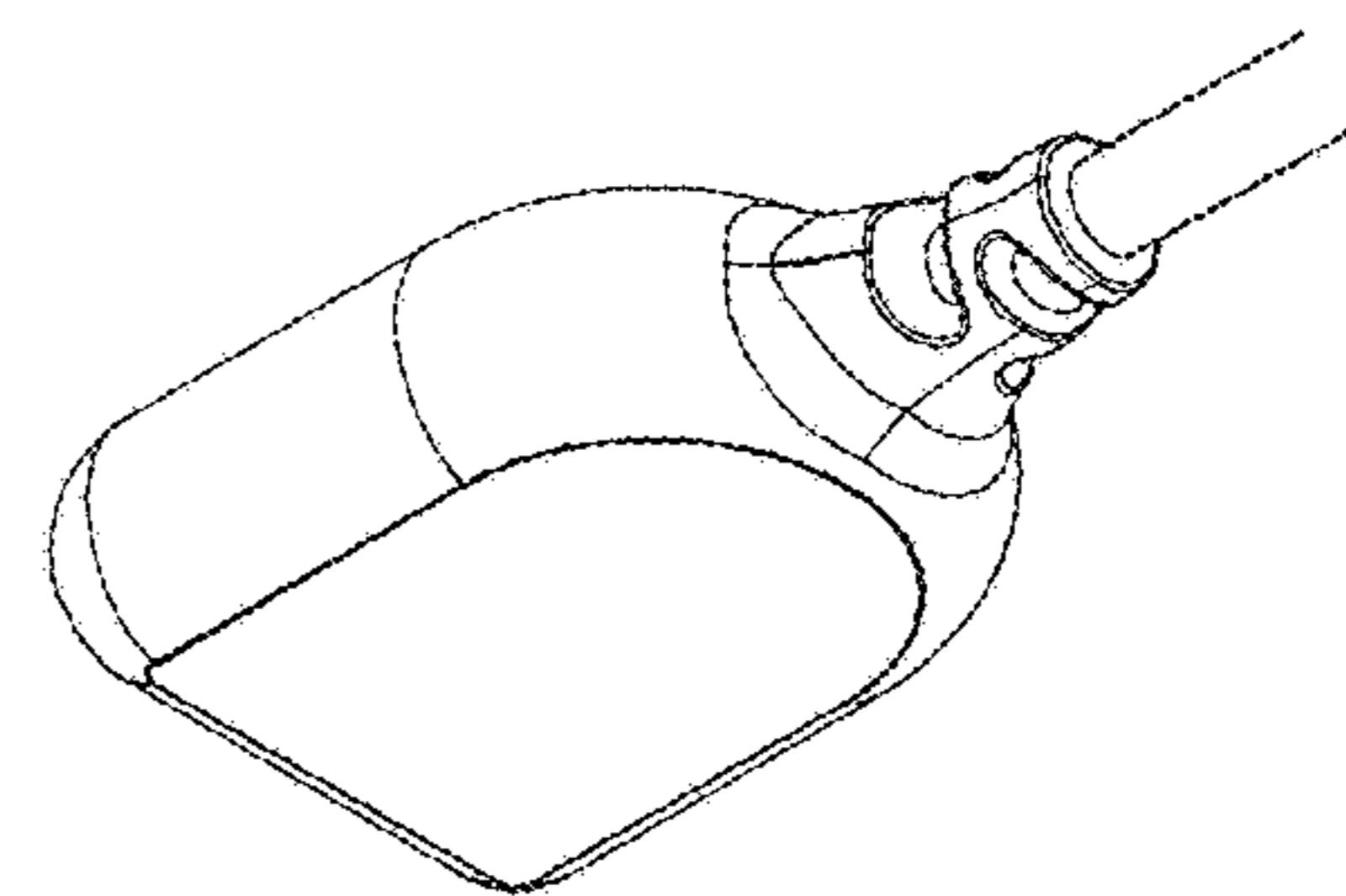


Fig. 7

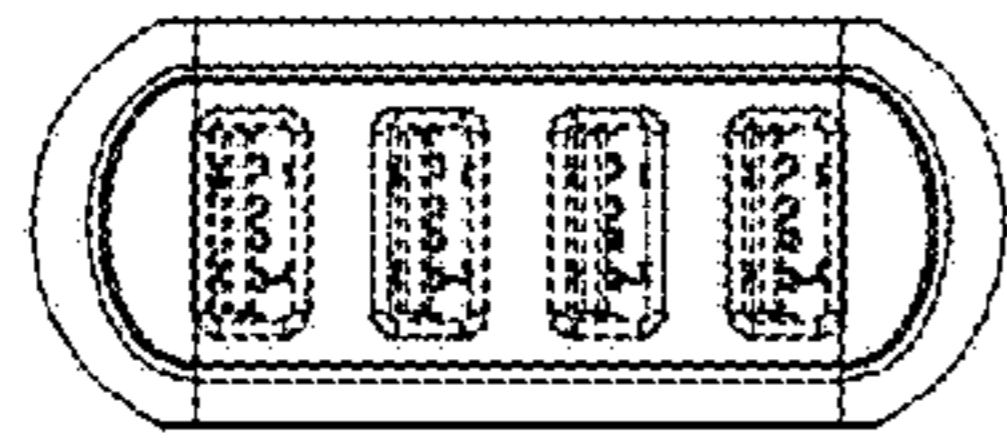


Fig. 8

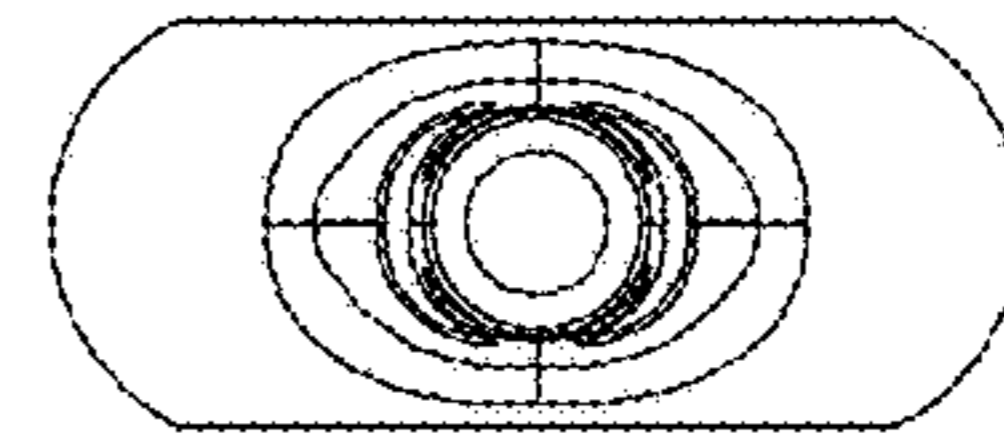


Fig. 9

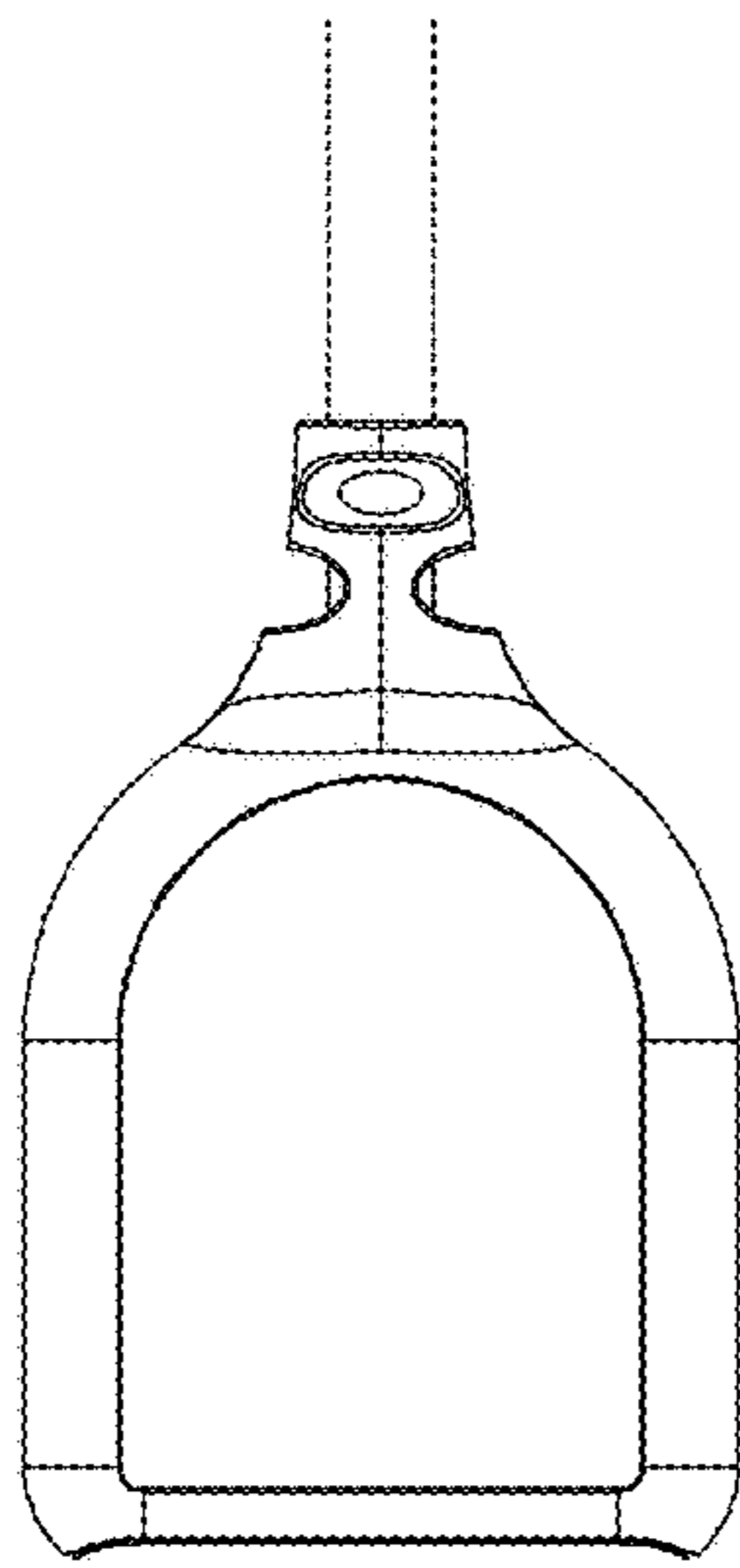


Fig. 10

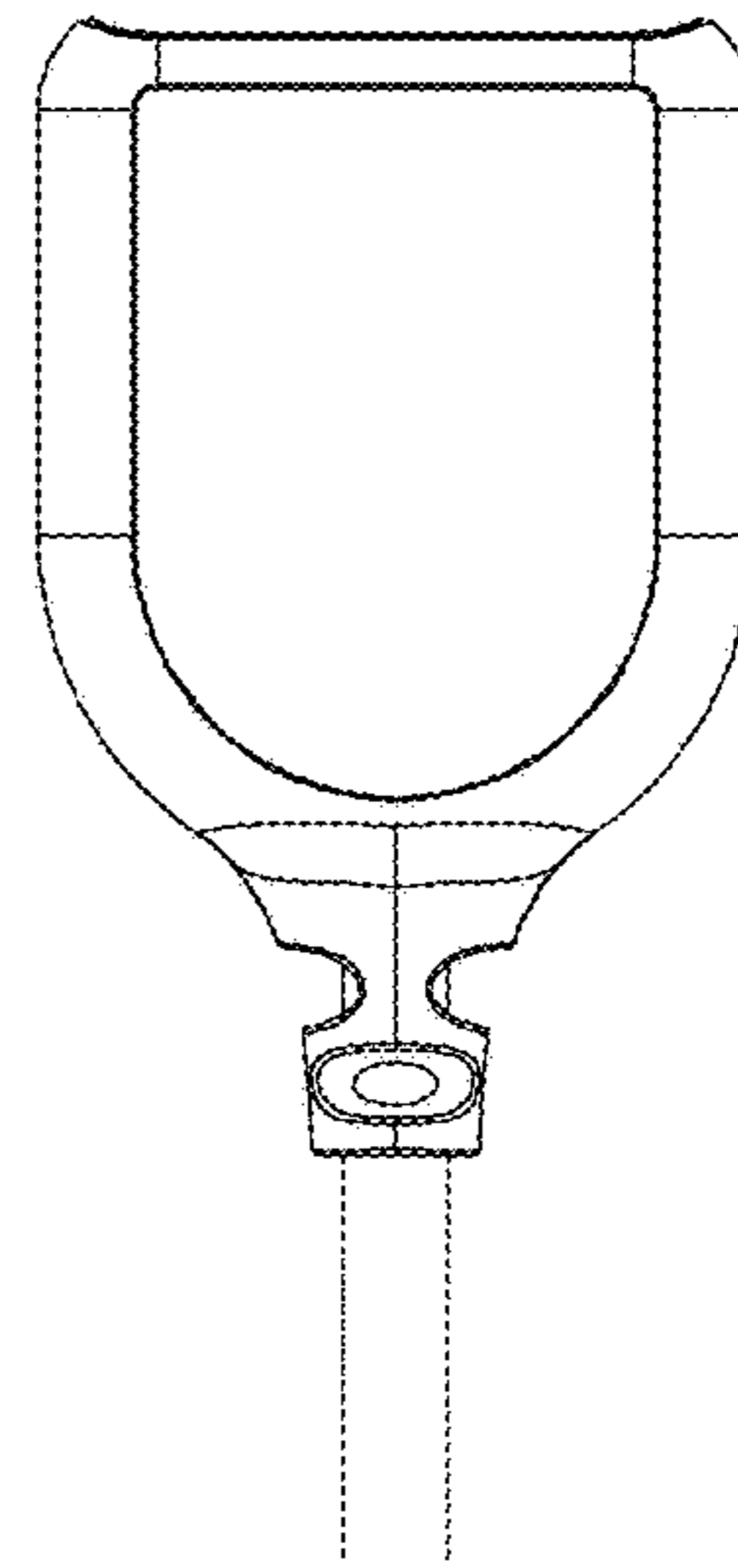


Fig. 11

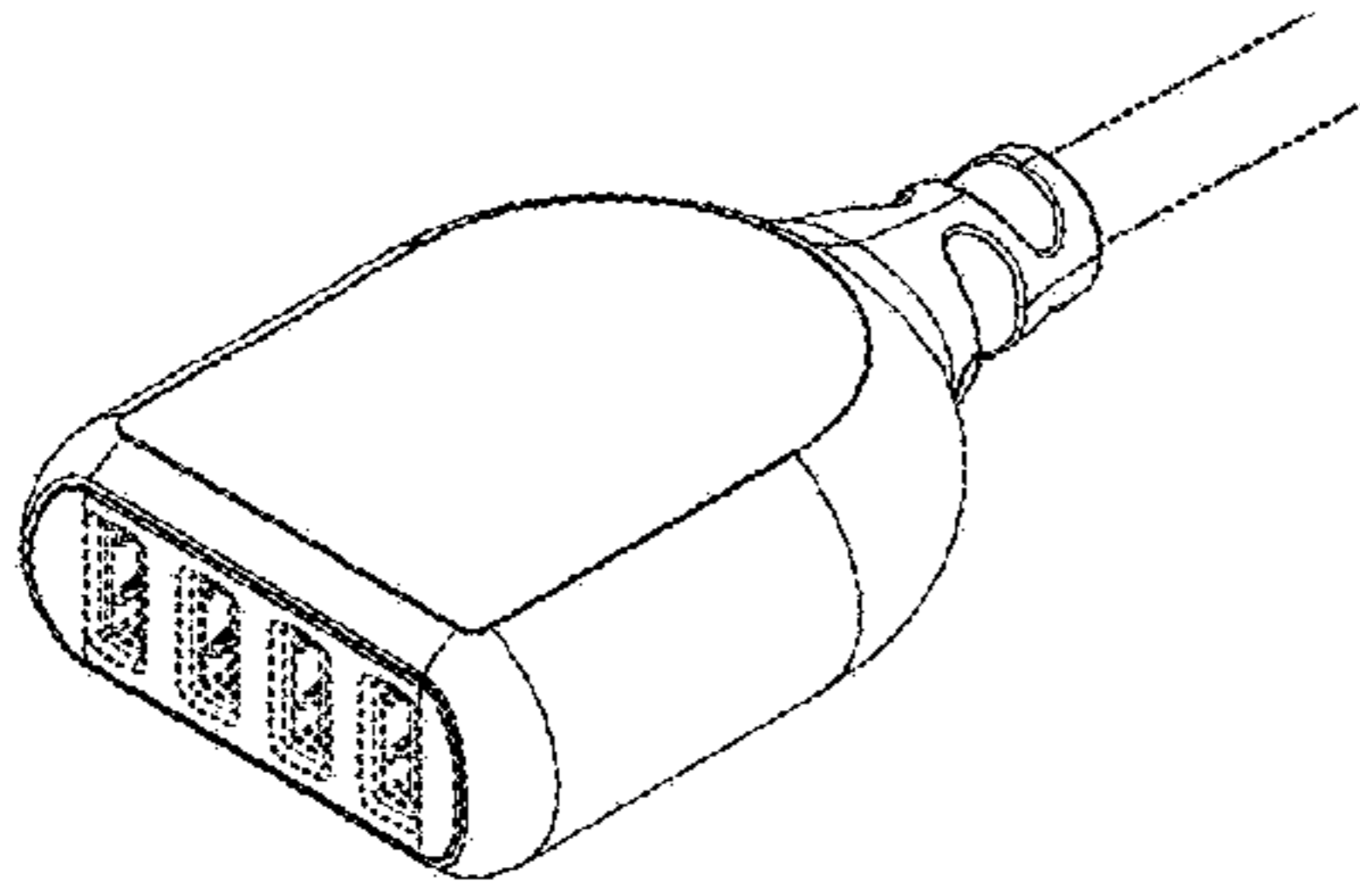


Fig. 12

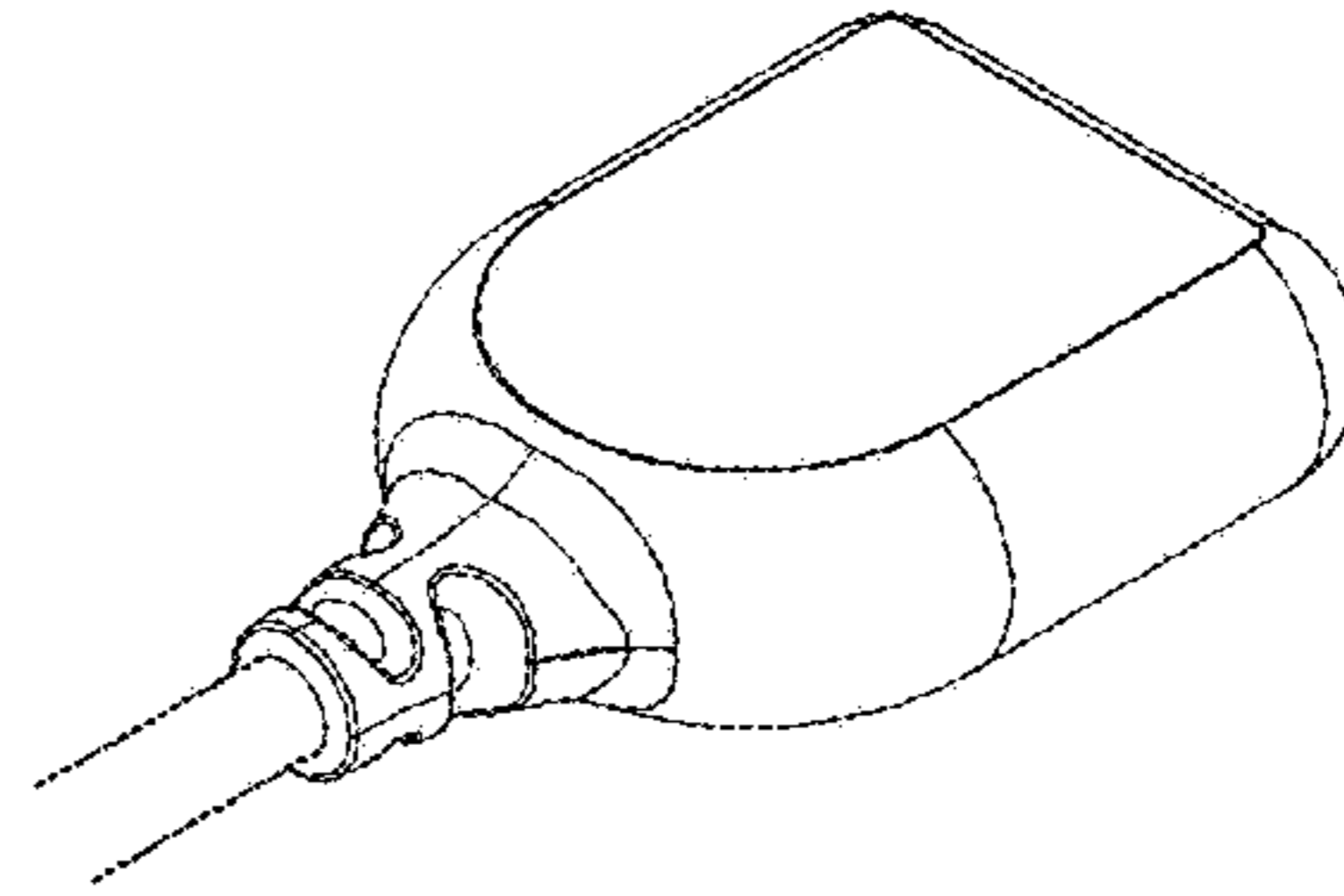


Fig. 13

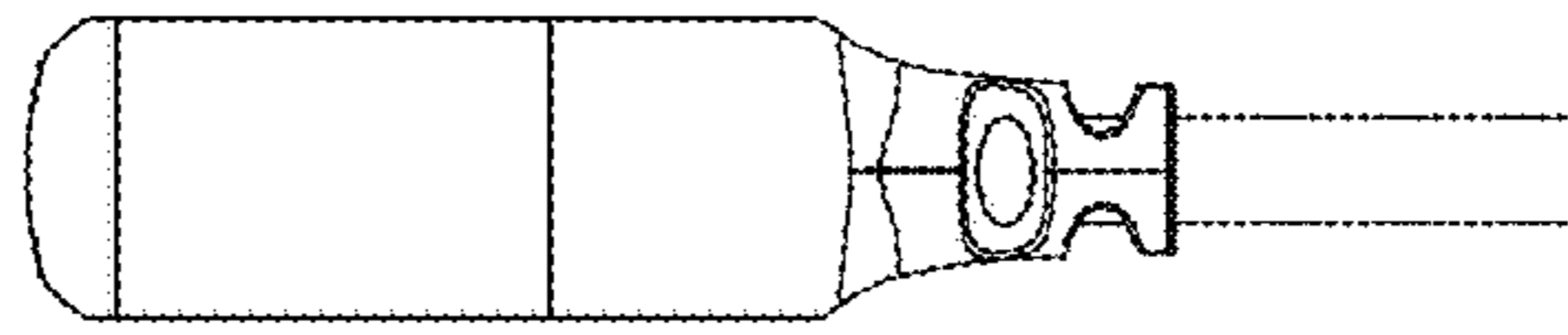


Fig. 14

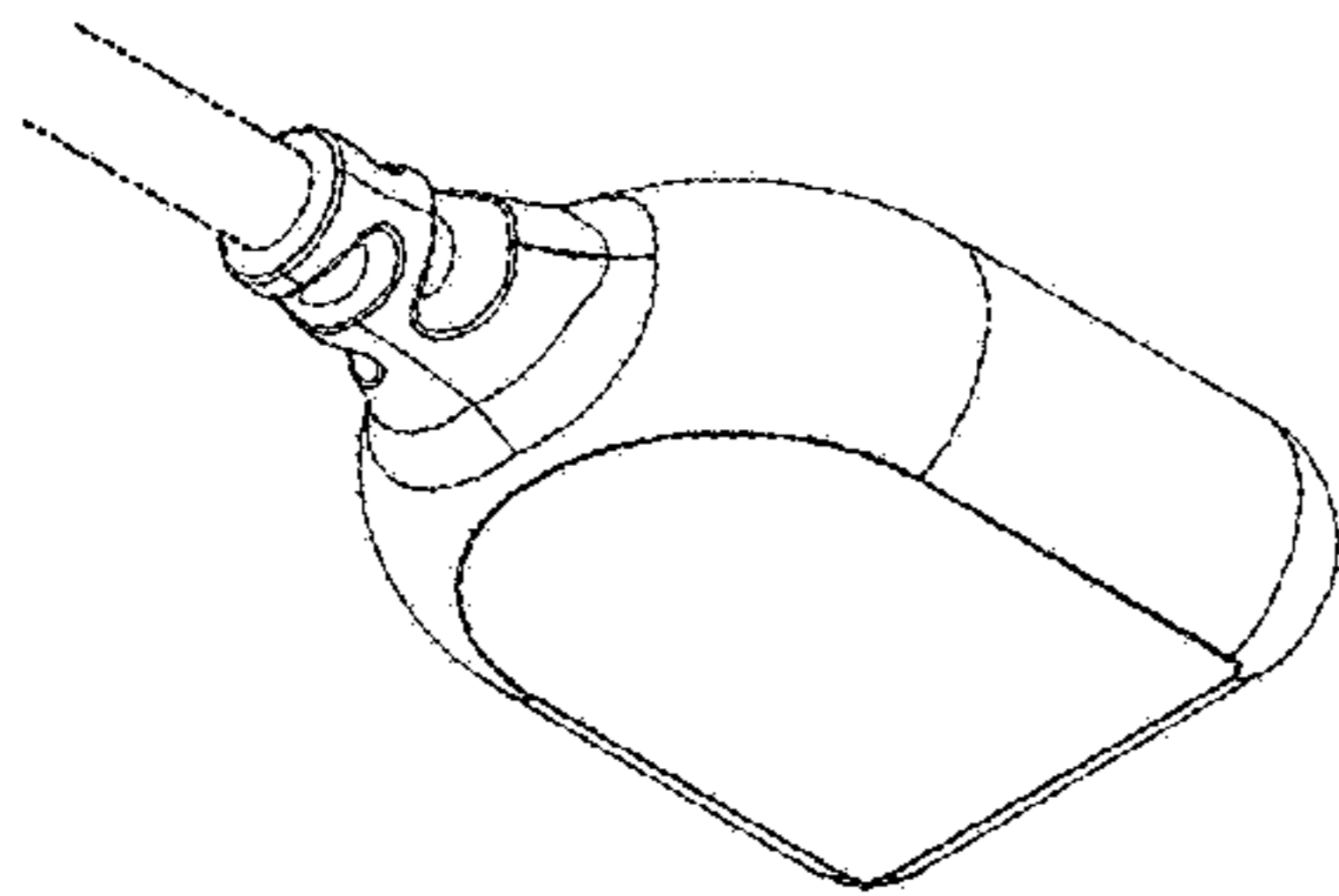


Fig. 15

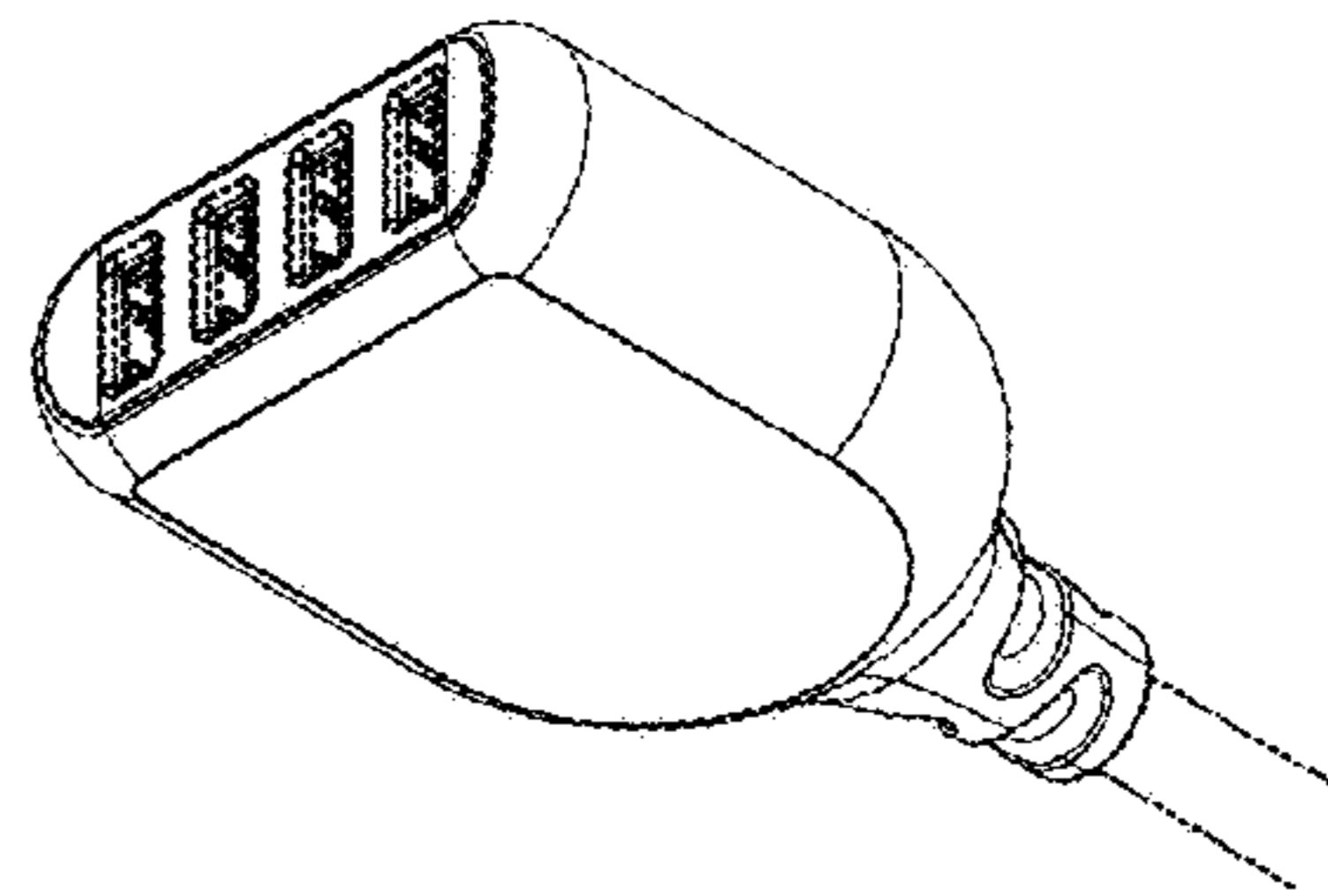


Fig. 16