



US00D824853S

(12) **United States Design Patent**
Looi et al.

(10) **Patent No.:** **US D824,853 S**
(45) **Date of Patent:** **** Aug. 7, 2018**

(54) **ROTOR CORE**
(71) Applicant: **Johnson Electric S.A.**, Murten (CH)
(72) Inventors: **Wan Hor Looi**, Hong Kong (CN);
Chong Wei Chan, Hong Kong (CN);
Yuan Tian, Shenzhen (CN); **Yan Ju Dong**, Shenzhen (CN)
(73) Assignee: **JOHNSON ELECTRIC S.A.**, Murten (CH)

5,861,699 A * 1/1999 Kopac H02K 1/12
310/179
D406,229 S * 3/1999 Lucht D8/382
D441,715 S * 5/2001 Sasaki D13/122
D443,585 S * 6/2001 Shida D13/122
6,815,858 B2 * 11/2004 Matsunobu H02K 1/276
310/156.45
7,474,029 B2 * 1/2009 Rahman H02K 1/2766
310/156.56
D642,126 S * 7/2011 Li D13/122
D647,478 S * 10/2011 Jiang D13/122

* cited by examiner

(**) Term: **15 Years**

Primary Examiner — Derrick Holland

(21) Appl. No.: **29/611,837**

(74) *Attorney, Agent, or Firm* — Muncy, Geissler, Olds & Lowe, P.C.

(22) Filed: **Jul. 26, 2017**

(51) **LOC (11) Cl.** **13-01**

(52) **U.S. Cl.**

USPC **D13/122**

(58) **Field of Classification Search**

USPC D13/122, 110, 118, 112, 113, 114, 199;
D15/3, 5, 199; 74/606 R, 609; 310/10,
310/40 R, 42, 51, 58, 71, 80, 83, 85, 89,
310/91, 109, 236, 239, 254; 318/245,
318/255

CPC .. H02K 5/02; H02K 5/04; H02K 5/10; H02K
5/18; H02K 5/22; H02K 5/148; H02K
29/14; H02K 1/13; H02K 1/2786; H02P
6/06; F28F 1/20

See application file for complete search history.

(56) **References Cited**

U.S. PATENT DOCUMENTS

2,731,574 A * 1/1956 Soredal H02K 3/18
310/208

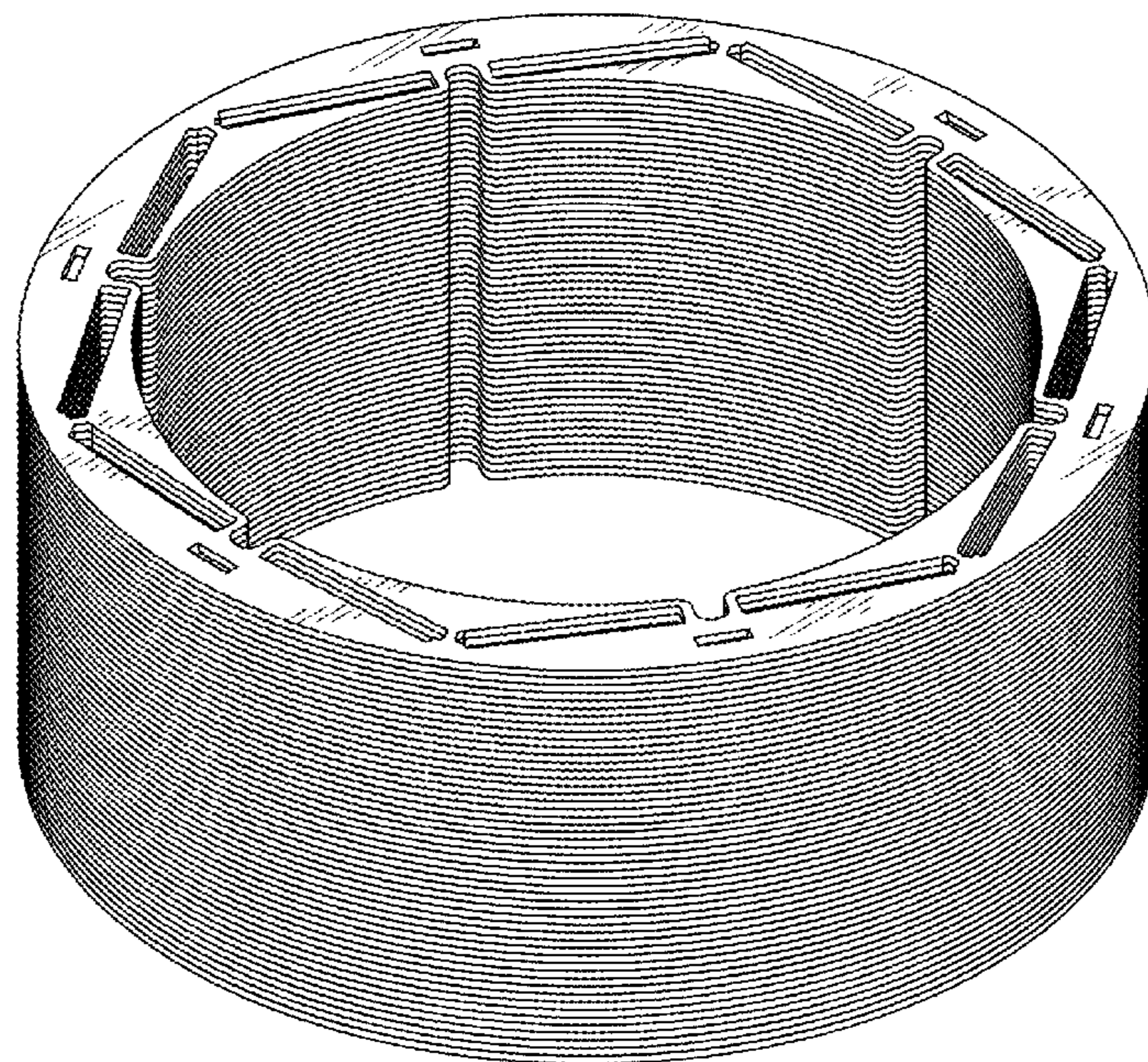
(57) **CLAIM**

The ornamental design for a rotor core, as shown and described.

DESCRIPTION

FIG. 1 is a front and top perspective view of a rotor core showing our new design;
FIG. 2 is a front and bottom perspective view thereof;
FIG. 3 is a front elevational view thereof;
FIG. 4 is a top plan view thereof; and,
FIG. 5 is a bottom plan view thereof.

1 Claim, 5 Drawing Sheets



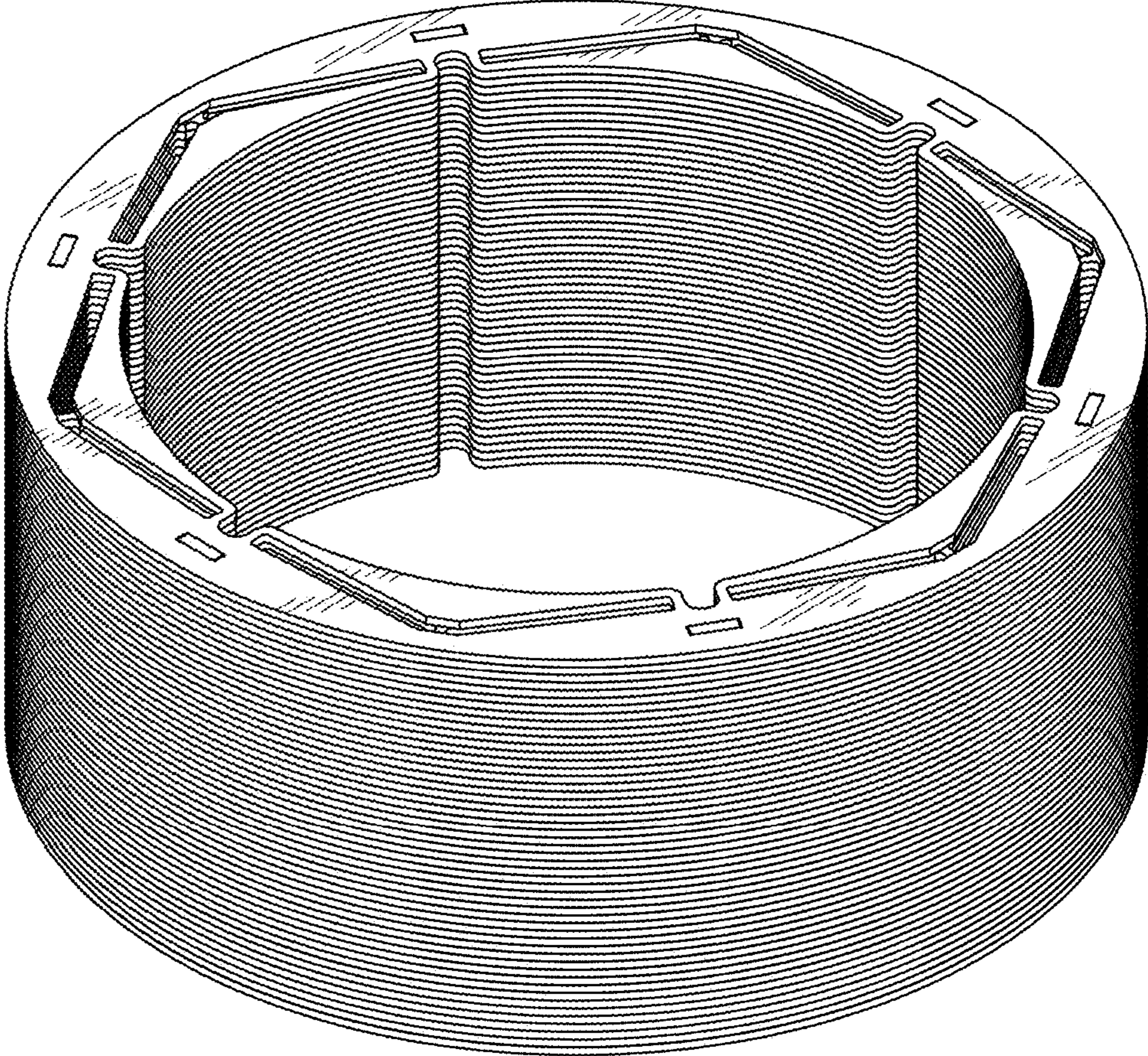


FIG. 1

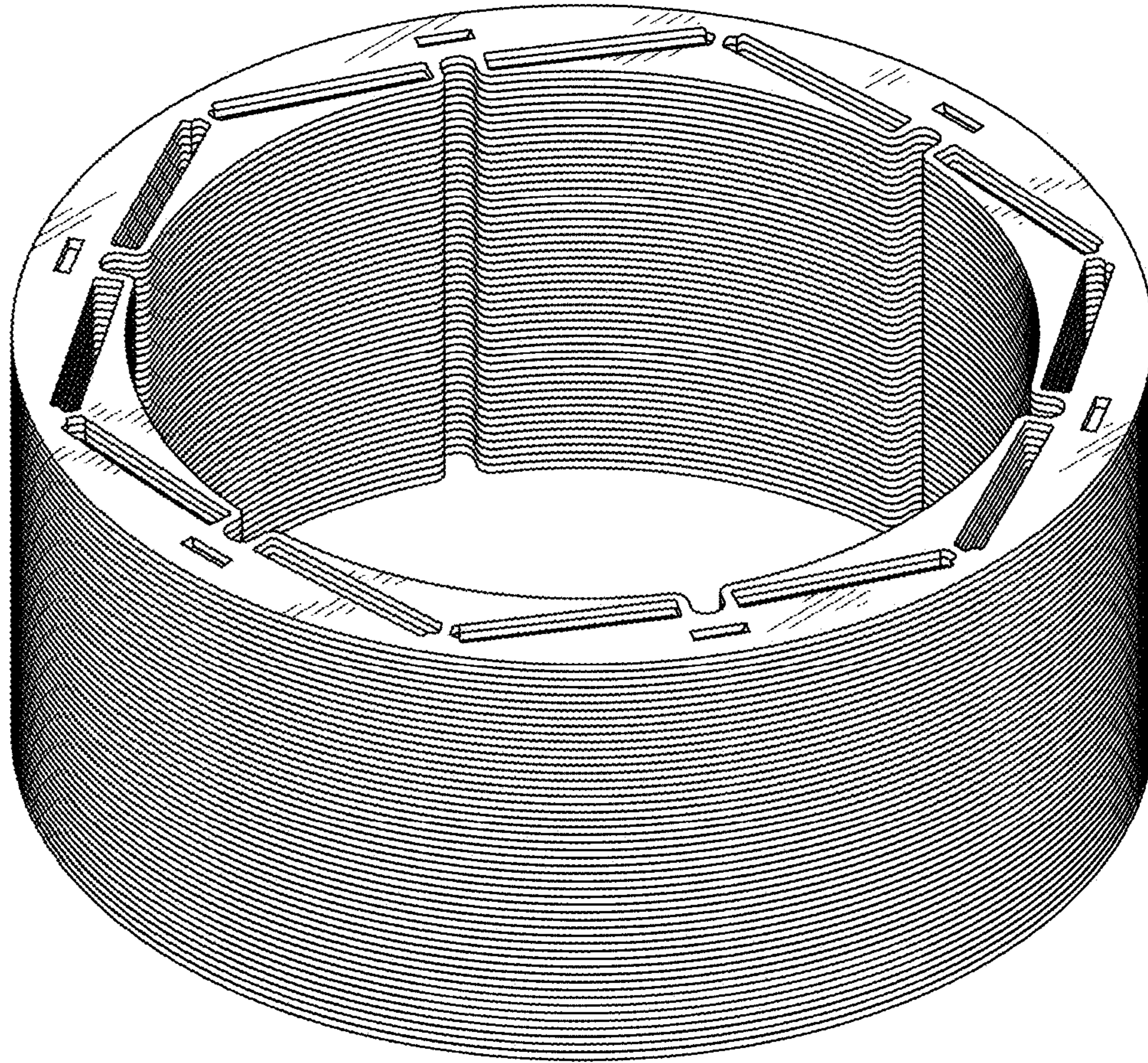


FIG. 2

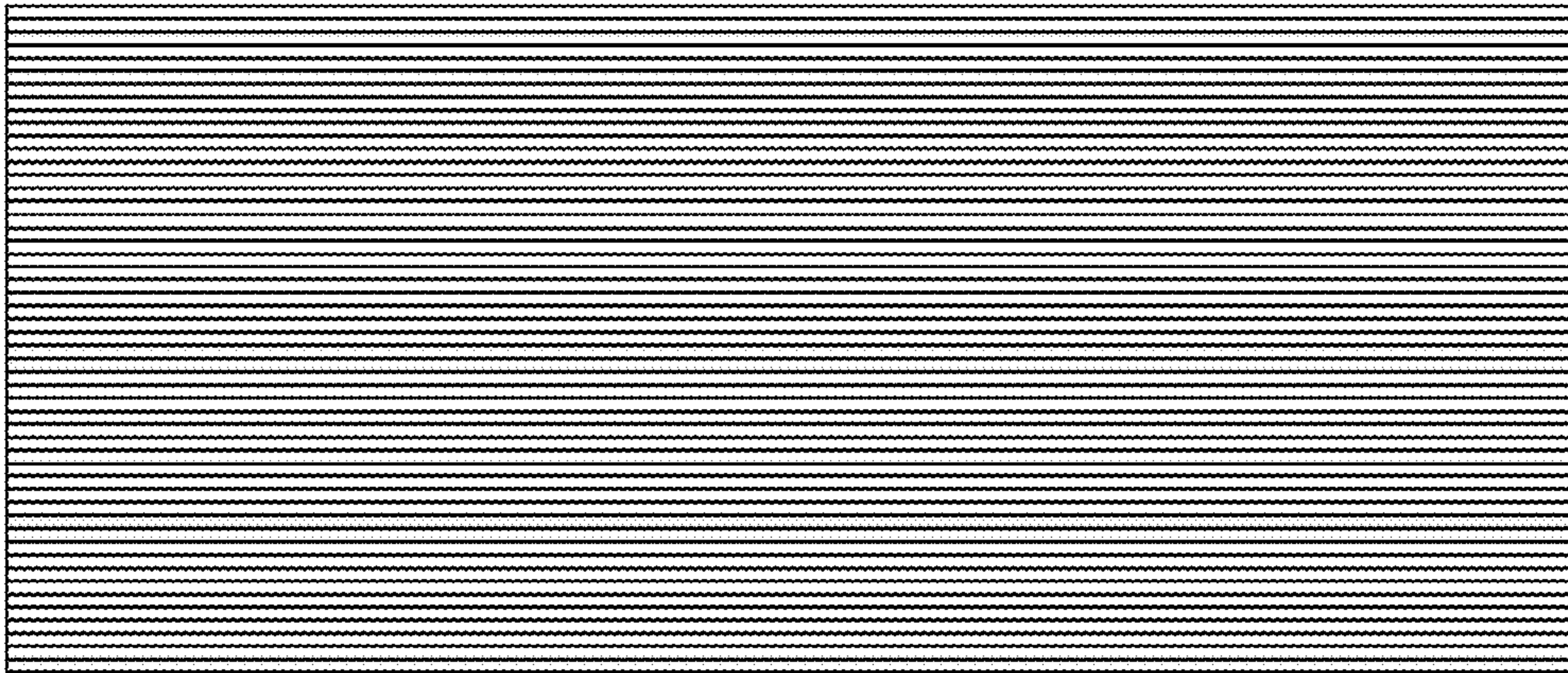


FIG. 3

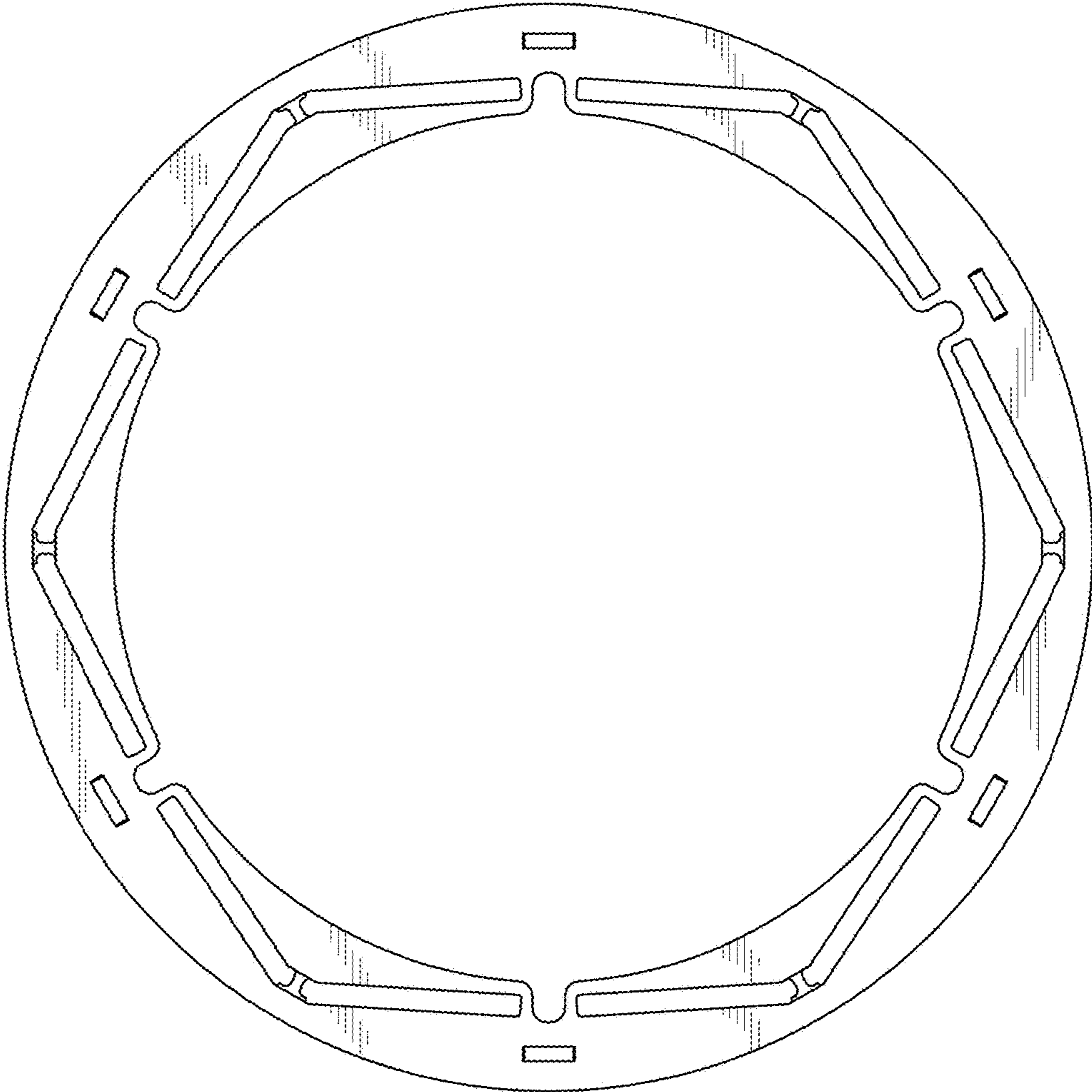


FIG. 4

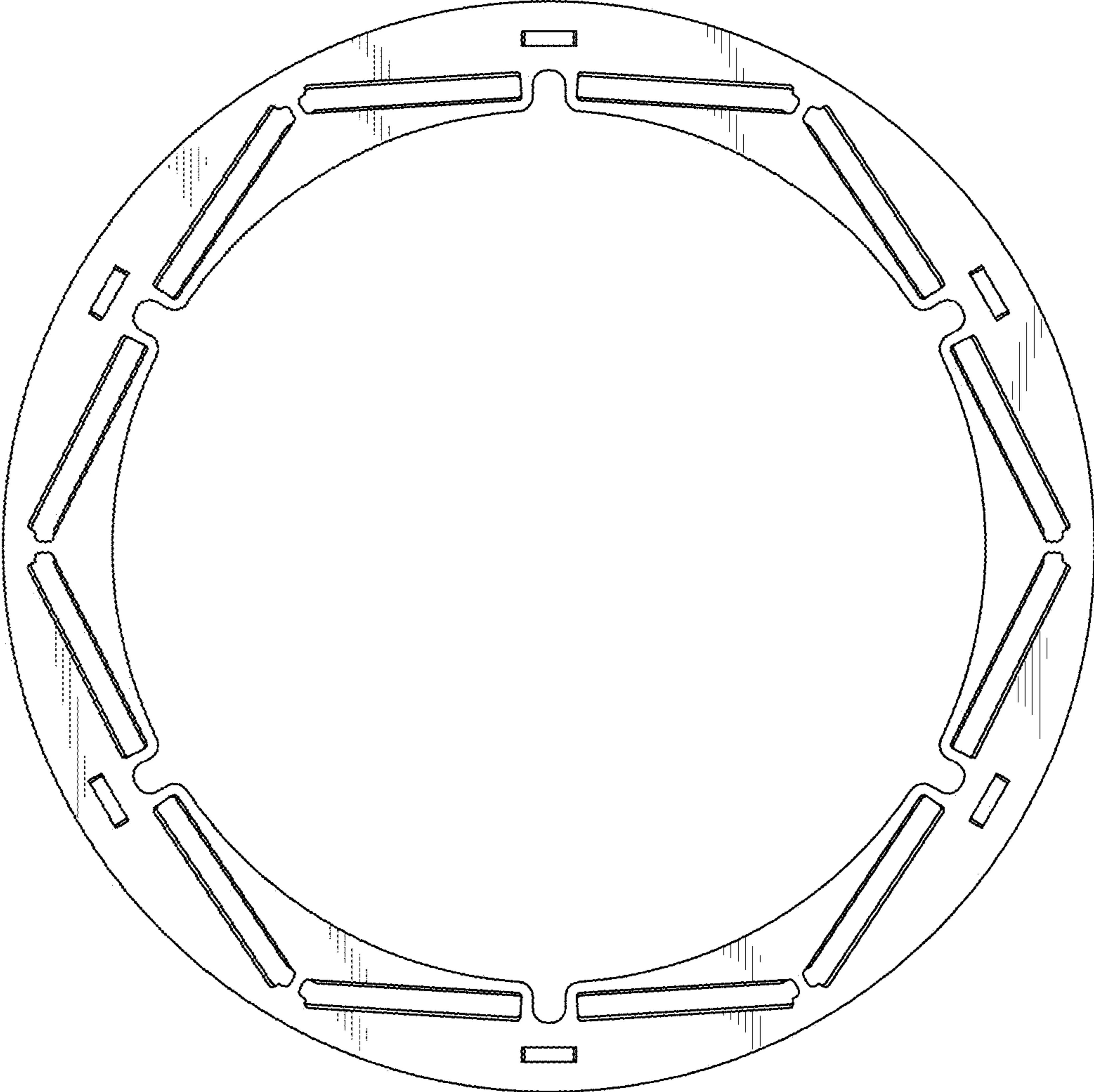


FIG. 5