



US00D824842S

(12) **United States Design Patent** (10) **Patent No.:** **US D824,842 S**
Iwamura (45) **Date of Patent:** **** Aug. 7, 2018**

(54) **TIRE**
(71) Applicant: **SUMITOMO RUBBER INDUSTRIES, LTD.**, Hyogo (JP)

(72) Inventor: **Wako Iwamura**, Kobe (JP)

(73) Assignee: **SUMITOMO RUBBER INDUSTRIES, LTD.**, Kobe-Shi, Hyogo (JP)

(**) Term: **15 Years**

(21) Appl. No.: **35/501,737**

(22) Filed: **Apr. 21, 2016**

(80) **Hague Agreement Data**

Int. Filing Date: **Apr. 21, 2016**
Int. Reg. No.: **DM/091737**
Int. Reg. Date: **Apr. 21, 2016**
Int. Reg. Pub. Date: **Oct. 21, 2016**

(30) **Foreign Application Priority Data**

Oct. 22, 2015 (JP) 2015-023460

(51) **LOC (11) Cl.** **12-15**

(52) **U.S. Cl.**
USPC **D12/605**

(58) **Field of Classification Search**
USPC D12/582, 583, 584, 585, 596, 602, 604, D12/605
CPC . B60C 11/03; B60C 11/04; B60C 2011/0344; B60C 2011/0346; B60C 2011/0374
See application file for complete search history.

(56) **References Cited**

U.S. PATENT DOCUMENTS

D451,068 S * 11/2001 Heinen D12/547
D491,129 S * 6/2004 Maxwell D12/553
D501,445 S * 2/2005 Brayer D12/553

D502,141 S * 2/2005 Marazzi D12/553
D502,443 S * 3/2005 Kuramochi D12/549
D503,373 S * 3/2005 Marazzi D12/553
D503,374 S * 3/2005 Maxwell D12/553
D514,059 S * 1/2006 Dixon D12/552
D537,406 S * 2/2007 Reim D12/555
D548,678 S * 8/2007 Welbes D12/553

(Continued)

Primary Examiner — Darlington Ly
(74) *Attorney, Agent, or Firm* — Birch, Stewart, Kolasch & Birch, LLP

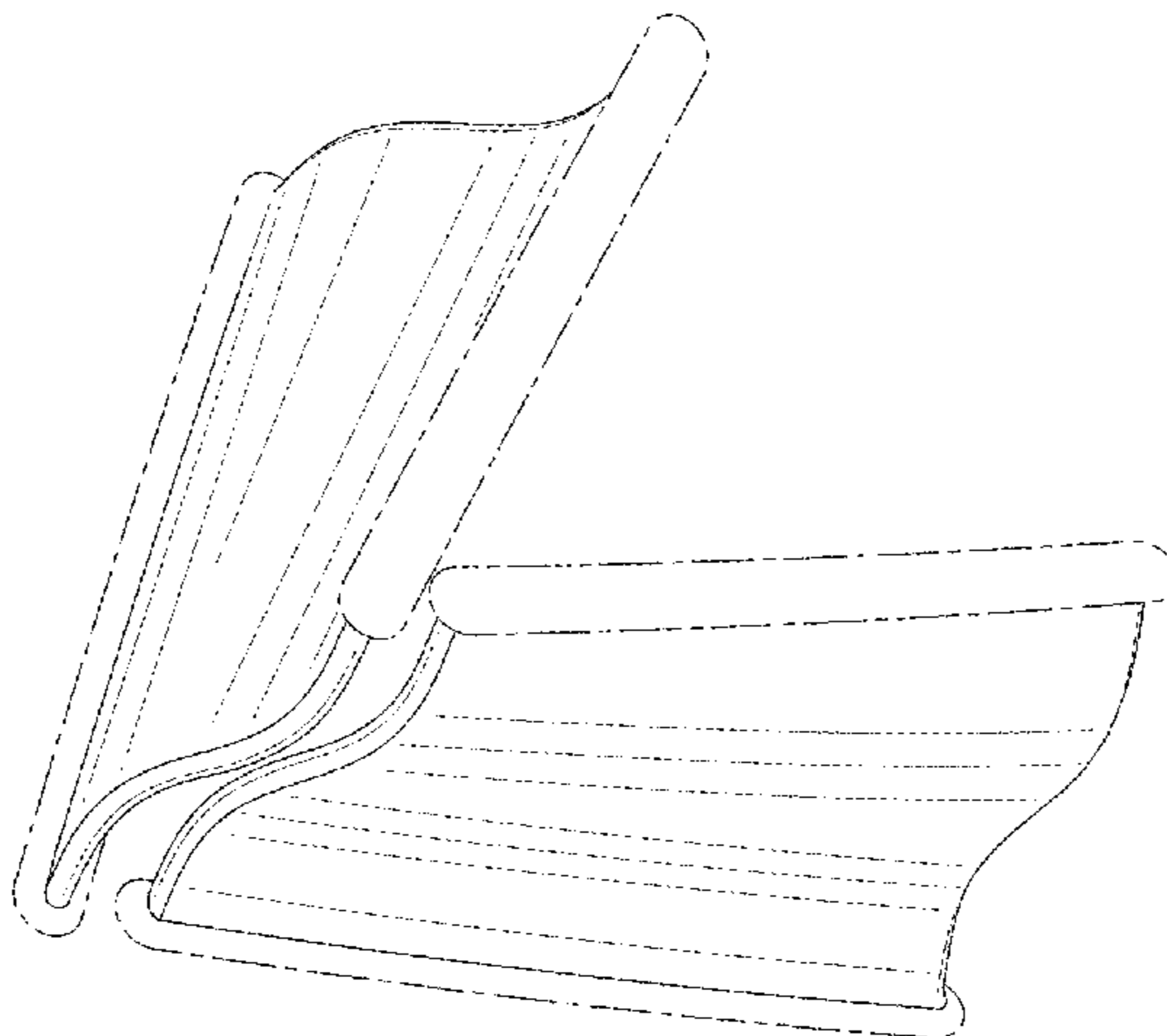
(57) **CLAIM**

The ornamental design for a tire, as shown and described.

DESCRIPTION

1. Tire
1.1 is a front elevation view of a tire showing my new design;
1.2 is a rear elevation view thereof;
1.3 is a right side elevation view thereof, of which the left side elevation view is a mirror image;
1.4 is a top plan view thereof, of which the bottom plan view is a mirror image;
1.5 is a front perspective view thereof;
1.6 is an enlarged front elevation view of portion 6-6 in reproduction 1.1;
1.7 is an enlarged partial perspective view of portion 7-7 in reproduction 1.2;
1.8 is an enlarged partial perspective view of the portion 8-8 in reproduction 1.5;
1.9 is an enlarged front elevation view of portion 6-6 of reproduction 1.1;
1.10 is an enlarged cross-section partial view thereof taken in the direction 10-10 in reproduction 1.9;
1.11 is a cross-sectional view of the radial member taken along the line 11-11 in reproduction 1.6; and
1.12 is perspective view showing the radial members.
The broken lines in the reproductions illustrate portions of the tire that form no part of the claimed design.

1 Claim, 6 Drawing Sheets



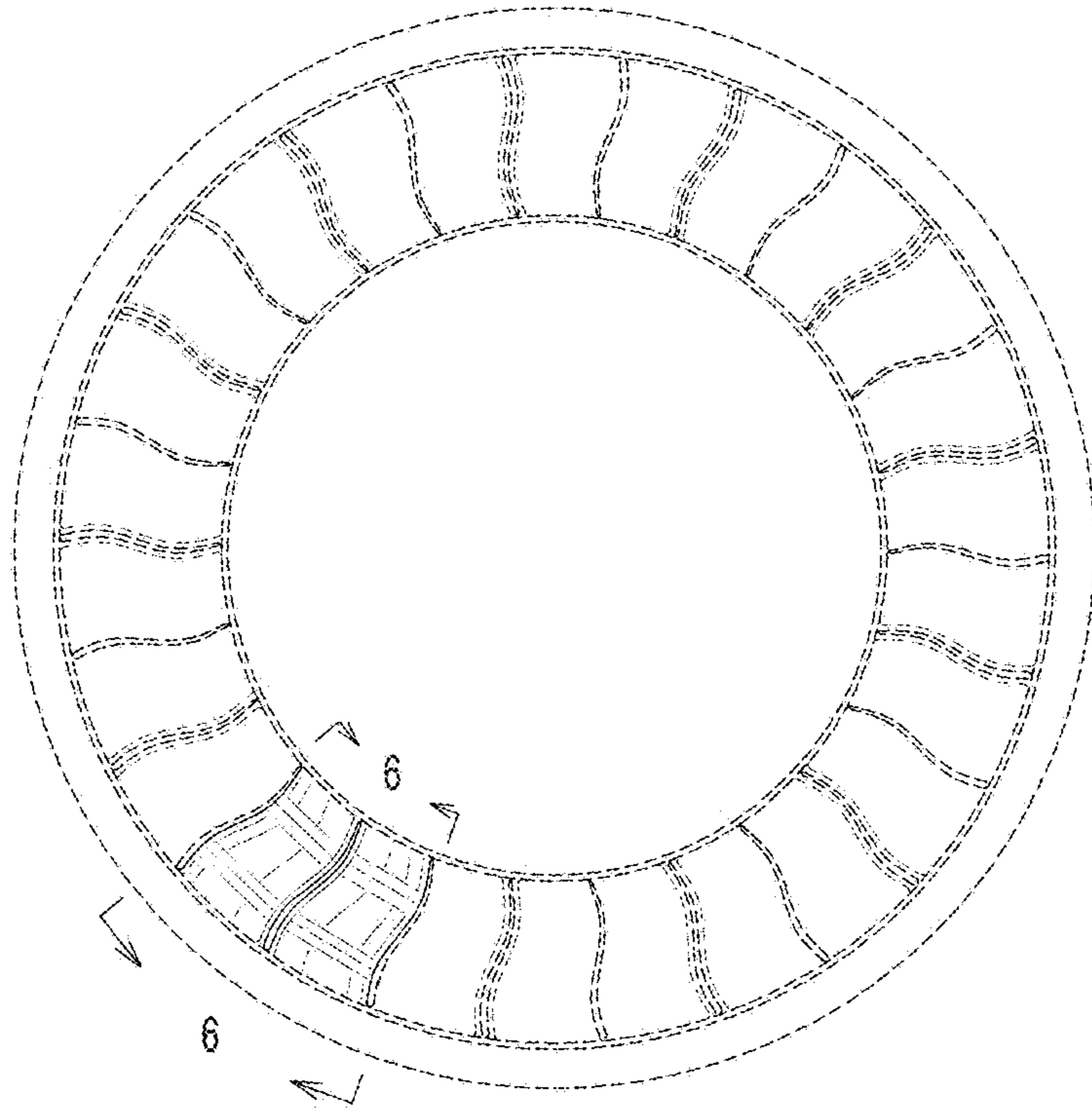
(56)

References Cited

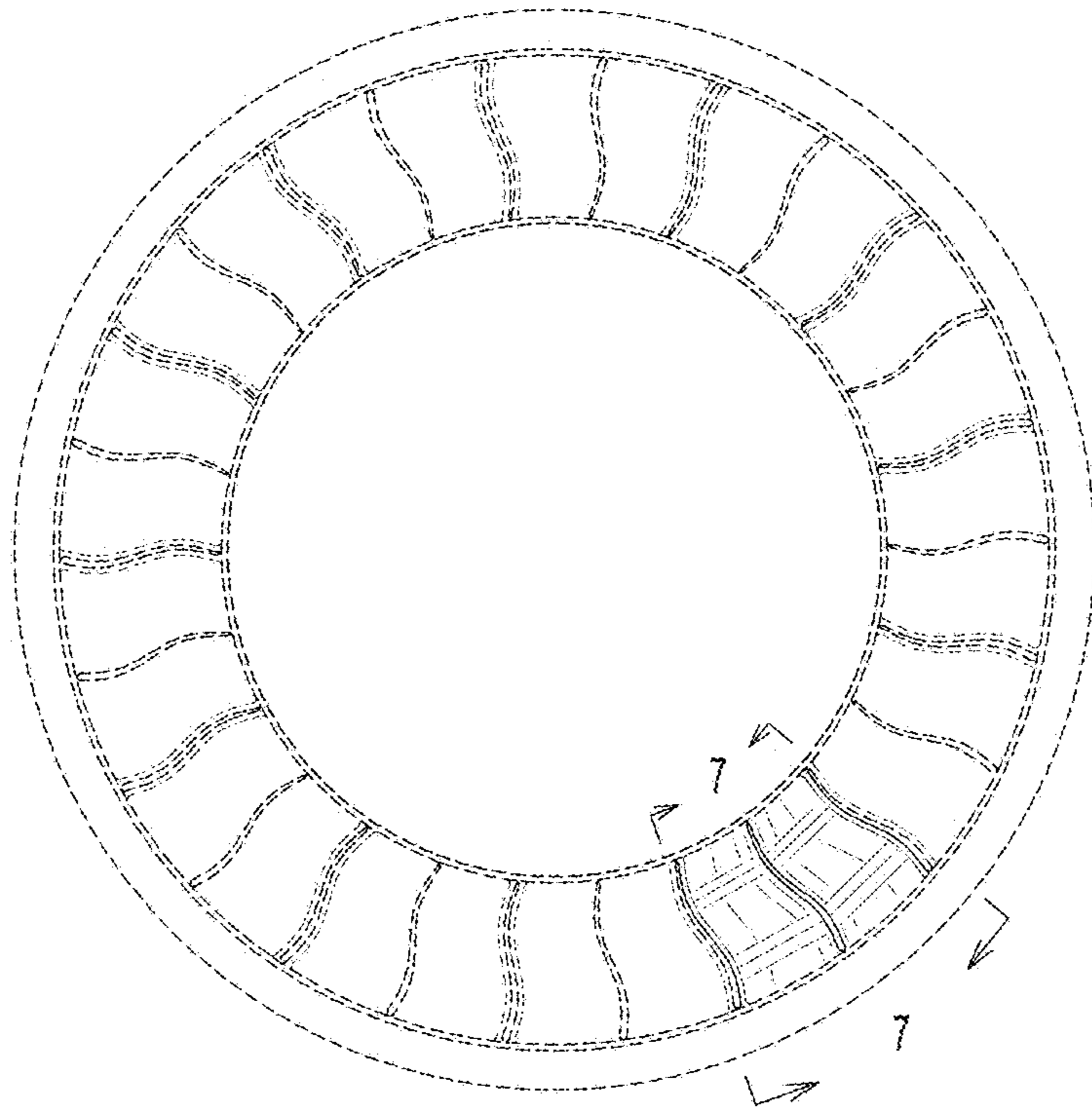
U.S. PATENT DOCUMENTS

D598,367 S * 8/2009 de Briey-Terlinden D12/553
D641,305 S * 7/2011 de Briey-Terlinden D12/547
D644,597 S * 9/2011 Lucas D12/553

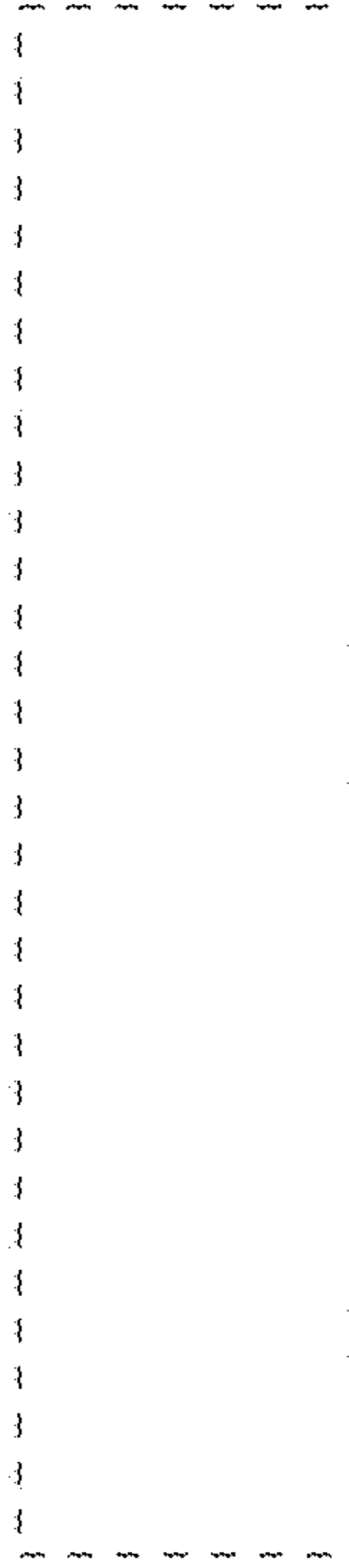
* cited by examiner



1.1



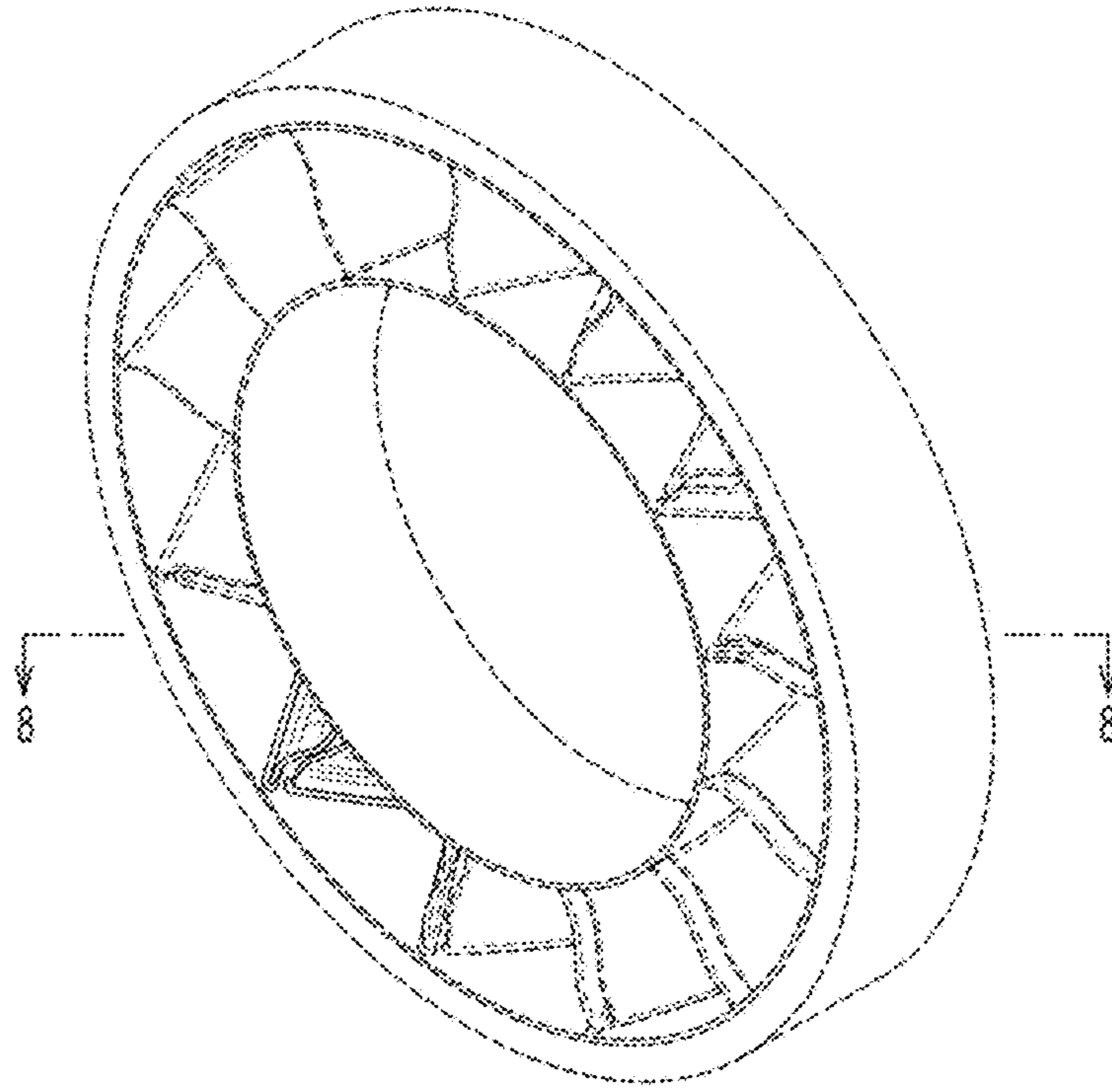
1.2



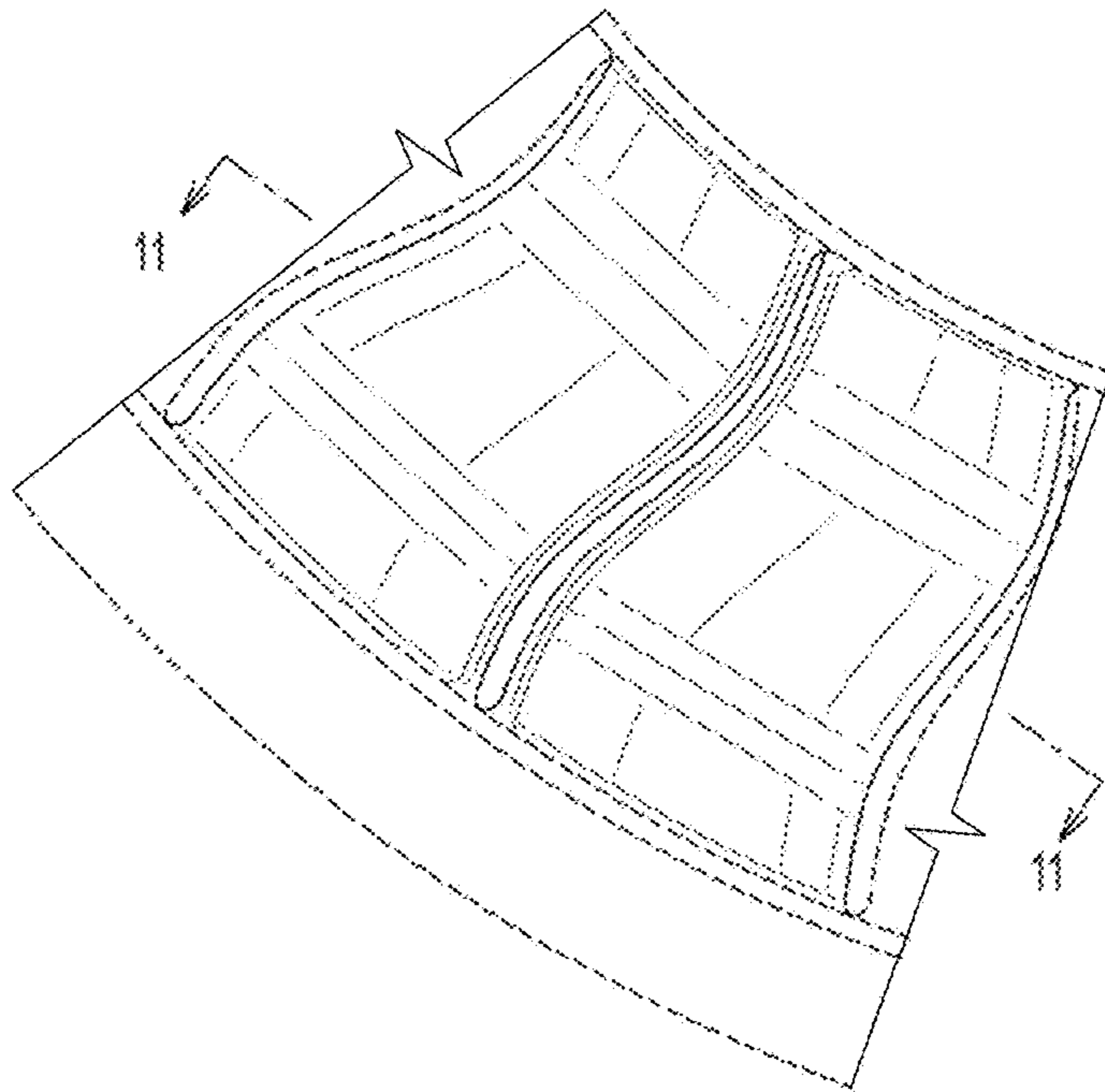
1.3



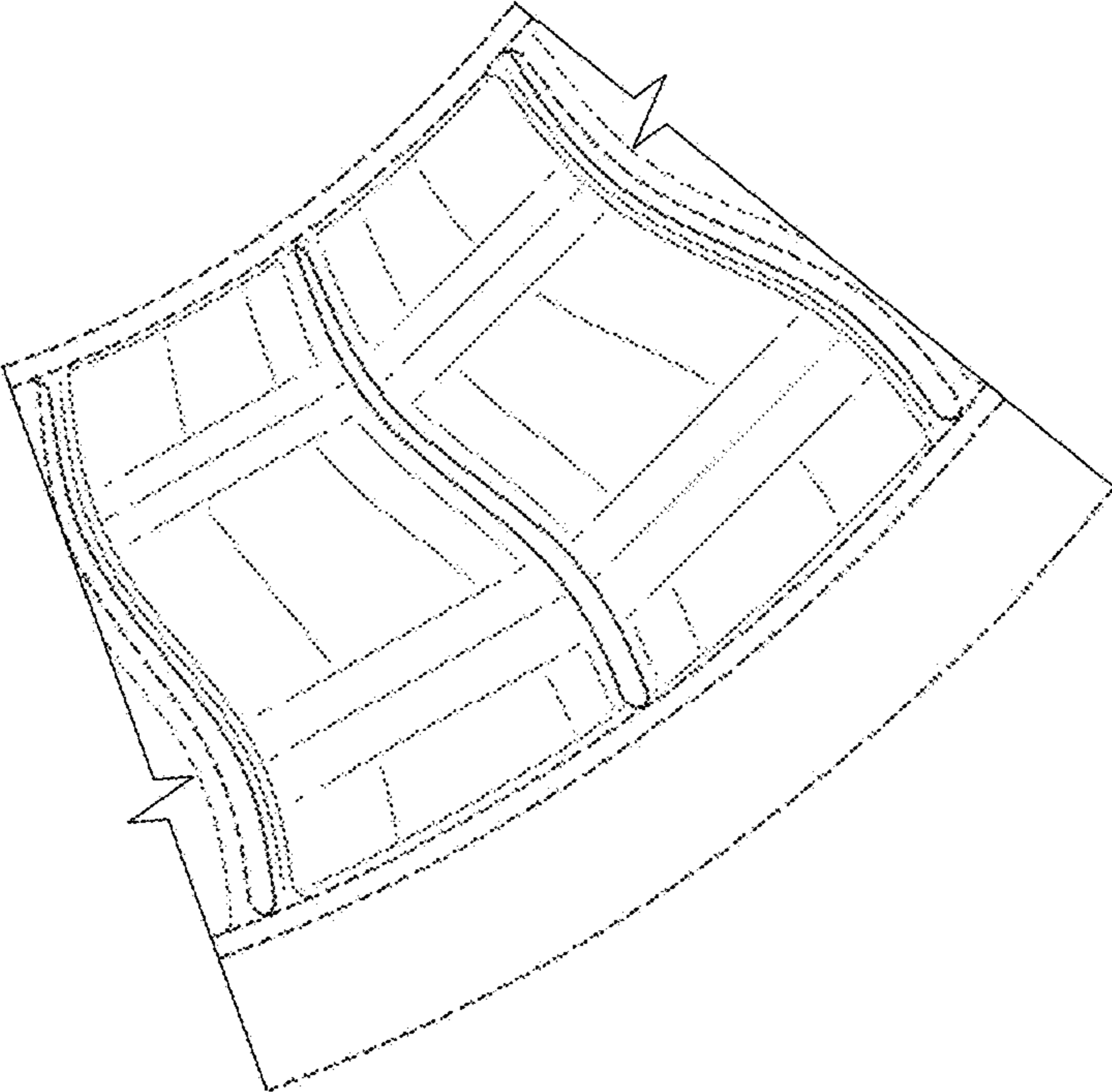
1.4



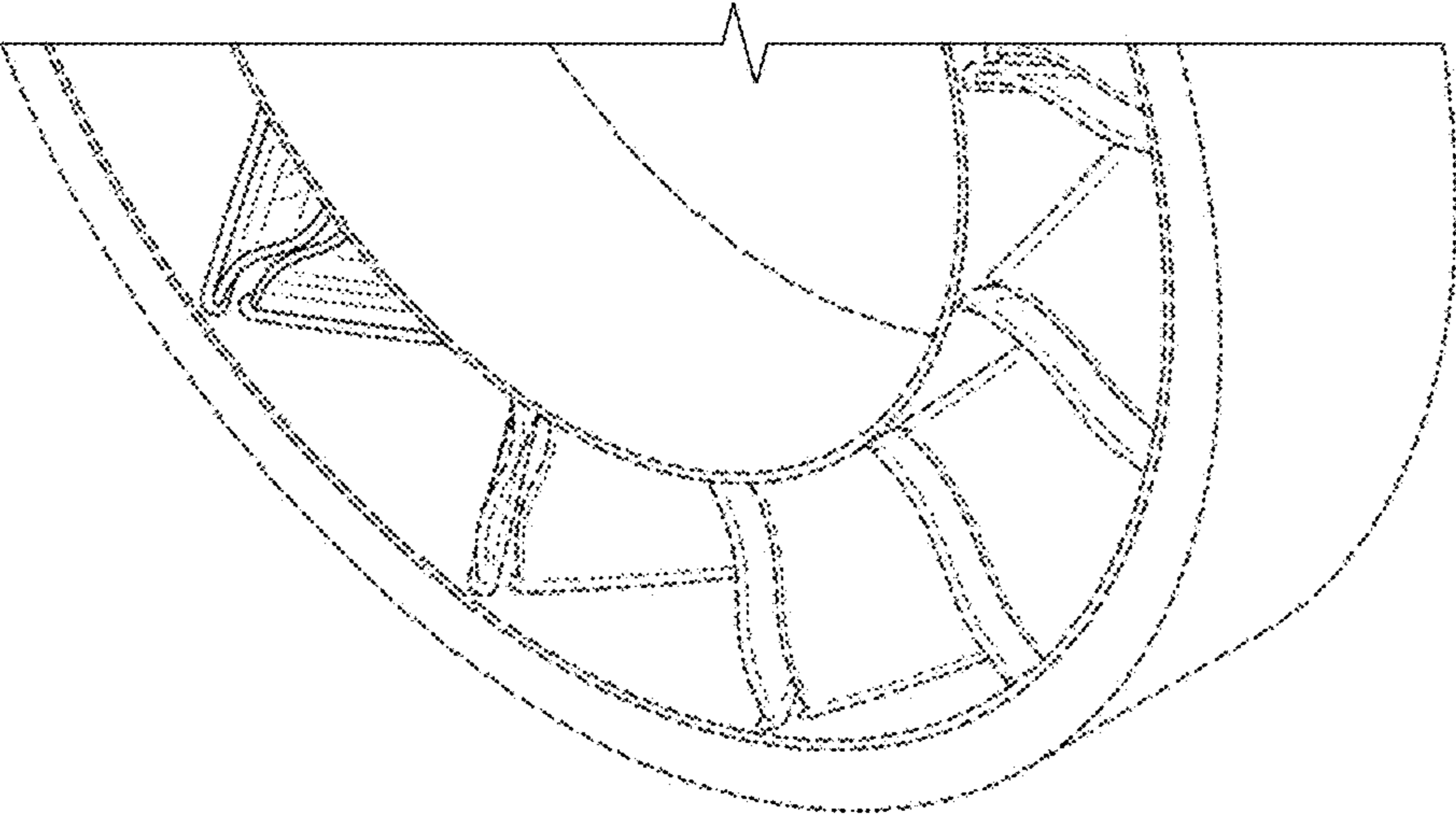
1.5



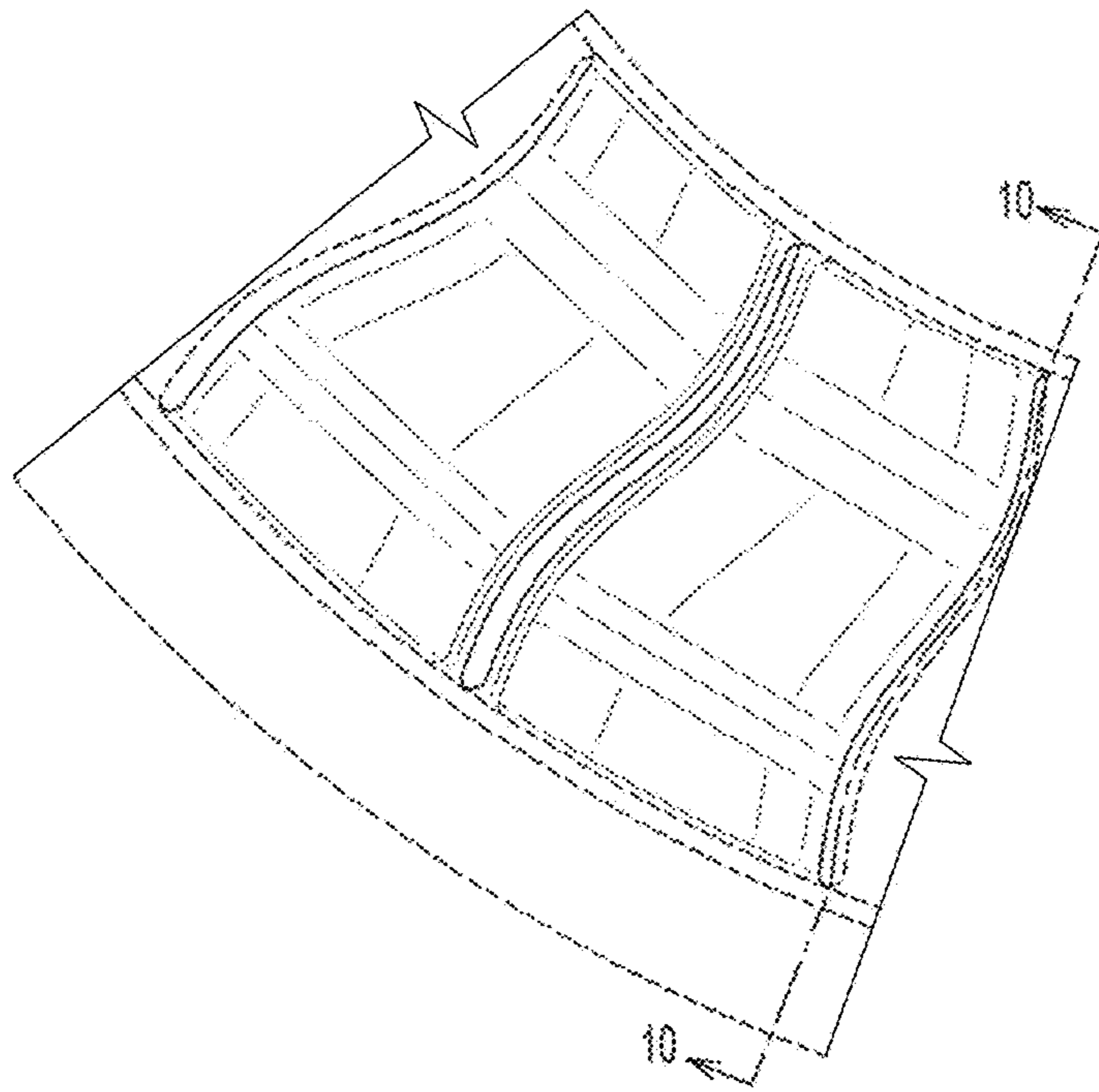
1.6



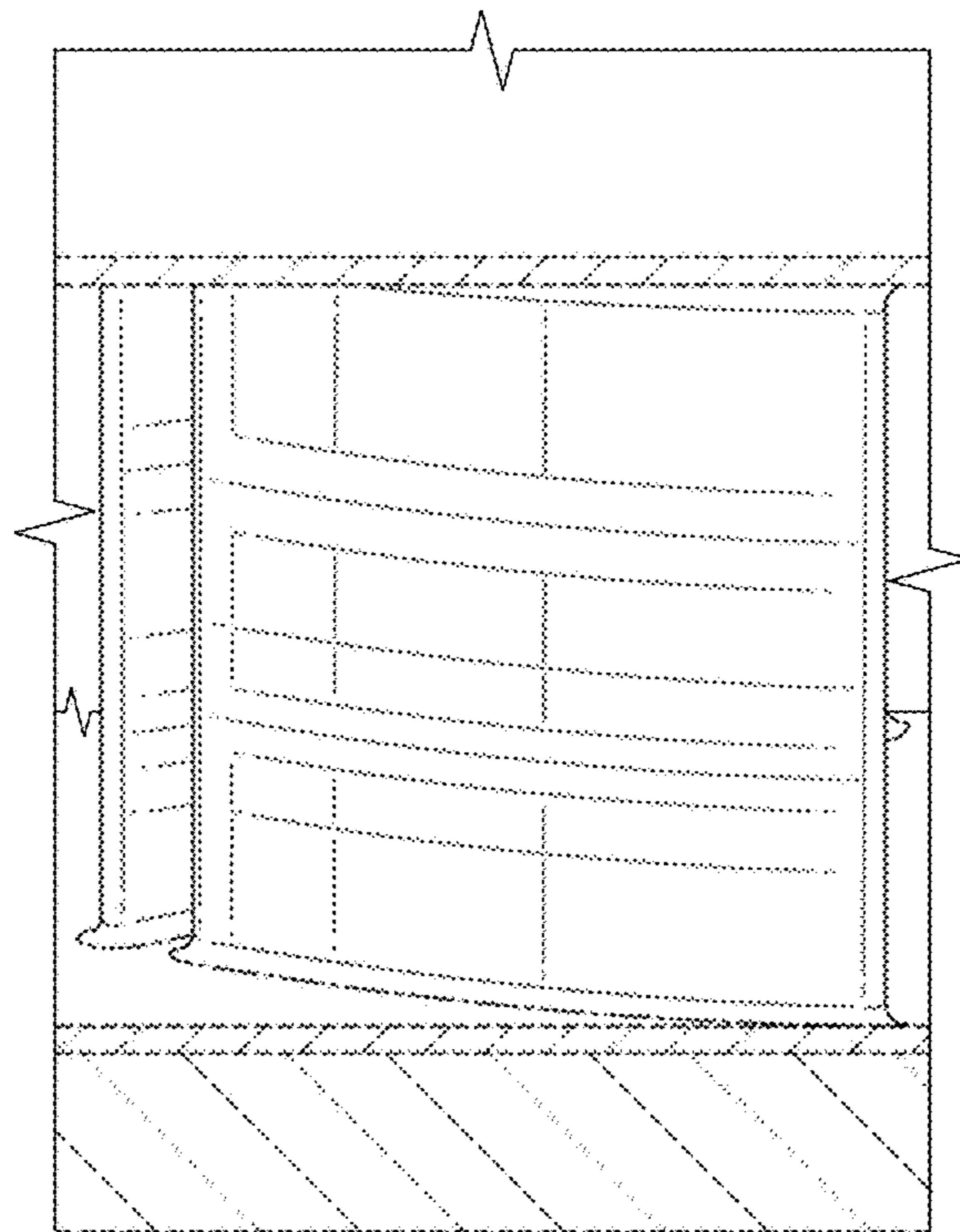
1.7



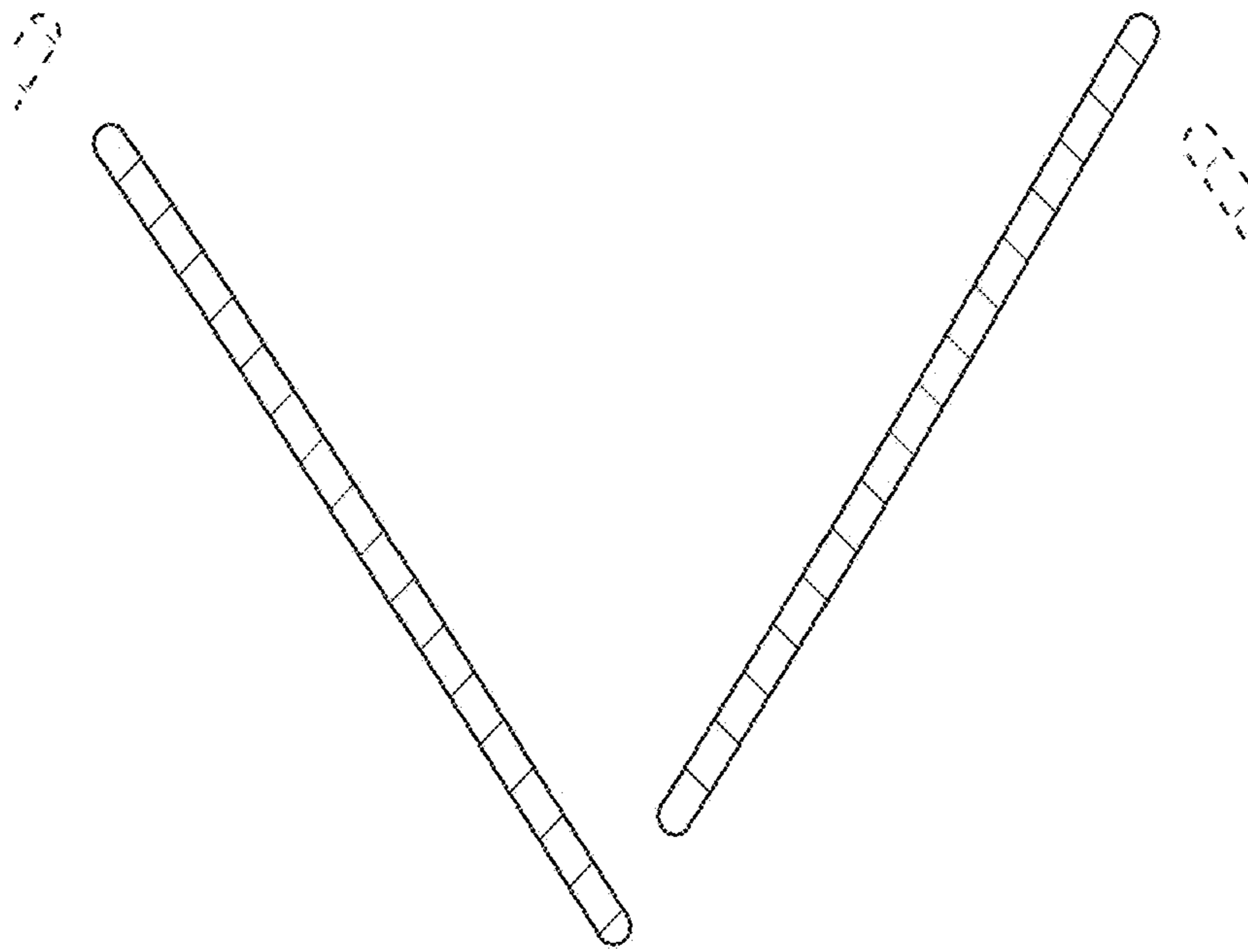
1.8



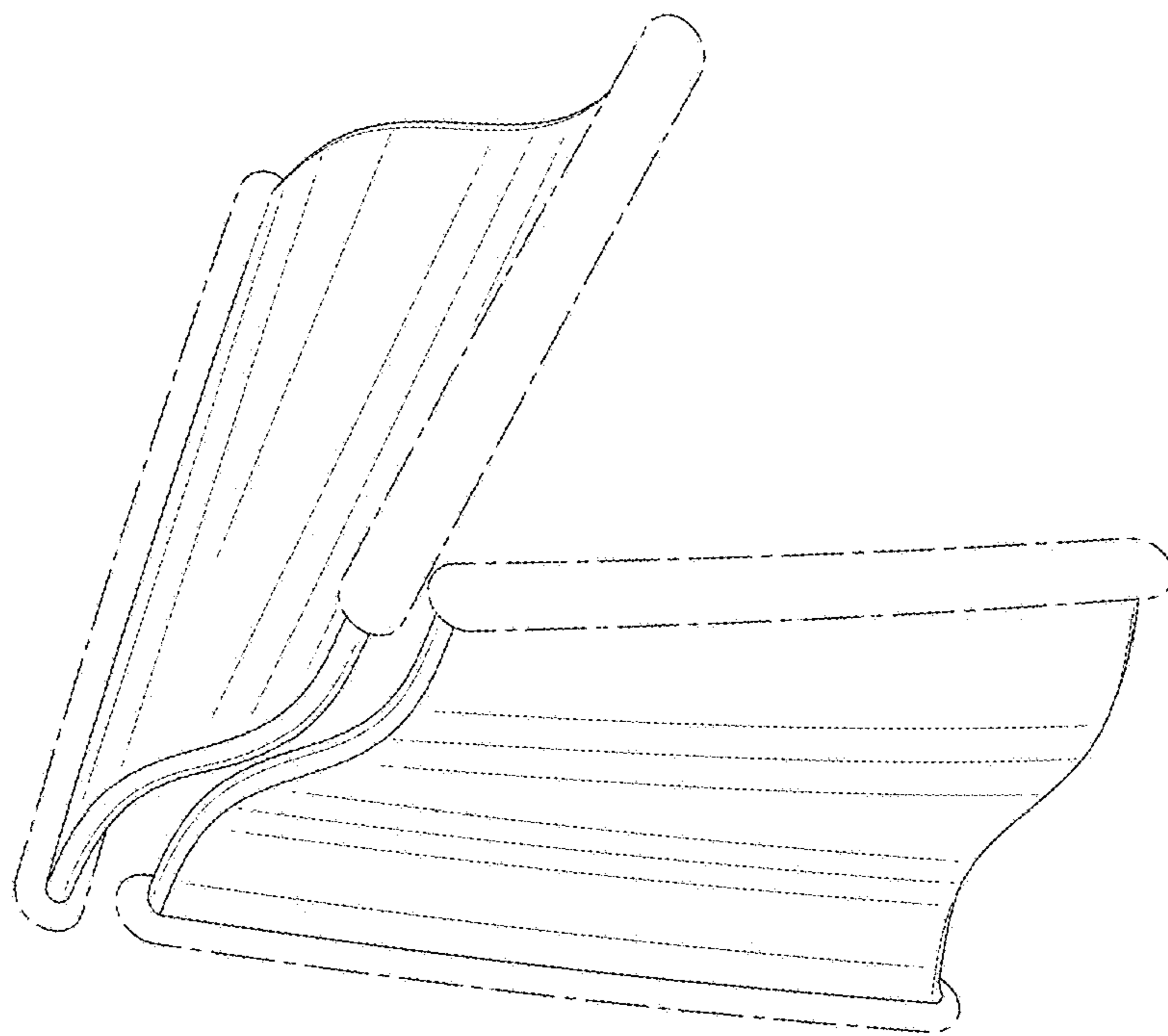
1.9



1.10



1.11



1.12