



US00D824838S

(12) **United States Design Patent**
Takamura

(10) **Patent No.:** **US D824,838 S**

(45) **Date of Patent:** **** Aug. 7, 2018**

(54) **CENTER CONSOLE FOR AN AUTOMOBILE**

(71) Applicant: **HONDA MOTOR CO., LTD.**, Tokyo (JP)

(72) Inventor: **Yuki Takamura**, Wako (JP)

(73) Assignee: **HONDA MOTOR CO., LTD.**, Tokyo (JP)

(**) Term: **15 Years**

(21) Appl. No.: **29/598,670**

(22) Filed: **Mar. 28, 2017**

(30) **Foreign Application Priority Data**

Sep. 30, 2016 (JP) 2016-021113

(51) **LOC (11) Cl.** **12-16**

(52) **U.S. Cl.**
USPC **D12/419**

(58) **Field of Classification Search**
USPC D7/701, 619.1-625; D21/421
CPC B60N 2/46
See application file for complete search history.

(56) **References Cited**

U.S. PATENT DOCUMENTS

D522,957 S * 6/2006 Miyashita D12/415
D568,232 S * 5/2008 Motozaki D12/421
D718,218 S * 11/2014 Tanaka D12/424
D724,521 S * 3/2015 Ashley D12/419

D725,583 S * 3/2015 Seki D12/419
D766,811 S * 9/2016 Shouno D12/419
D766,812 S * 9/2016 Kabata D12/423
D770,968 S * 11/2016 Willis D12/415
D781,210 S * 3/2017 Itou D12/419
D808,330 S * 1/2018 Kuwahara D12/419

* cited by examiner

Primary Examiner — Katrina A Betton

(74) *Attorney, Agent, or Firm* — Westerman, Hattori, Daniels & Adrian, LLP

(57) **CLAIM**

The ornamental design for a center console for an automobile, as shown and described herein.

DESCRIPTION

FIG. 1 is a left side perspective view of a center console for an automobile.

FIG. 2 is a right side perspective view of a center console for an automobile.

FIG. 3 is a front view of a center console for an automobile.

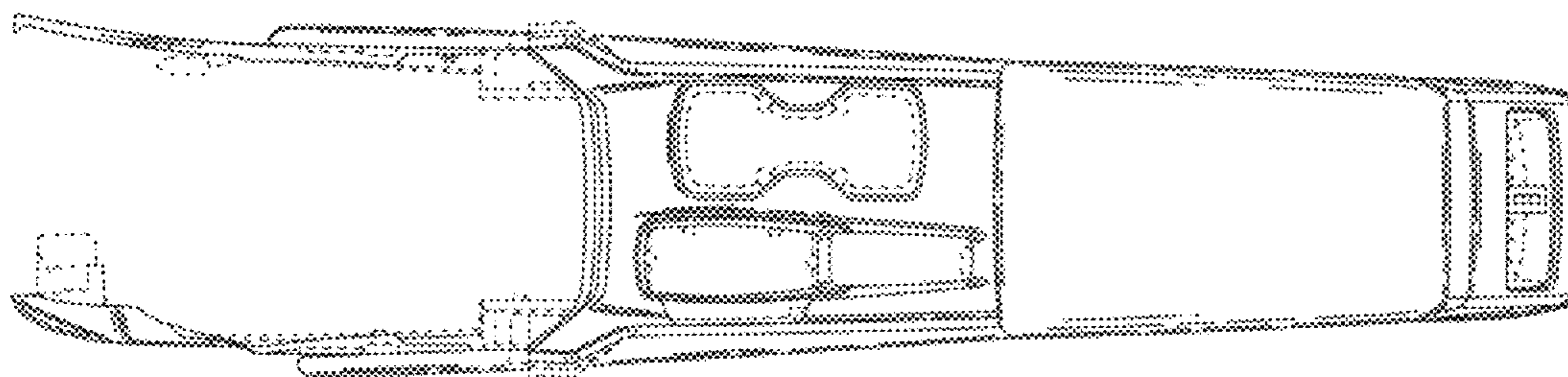
FIG. 4 is a rear view of a center console for an automobile.

FIG. 5 is a top plan view of a center console for an automobile; and,

FIG. 6 is a right side view of a center console for an automobile.

The broken lines in the drawings illustrate portions of the center console for an automobile that form no part of the claimed design.

1 Claim, 6 Drawing Sheets



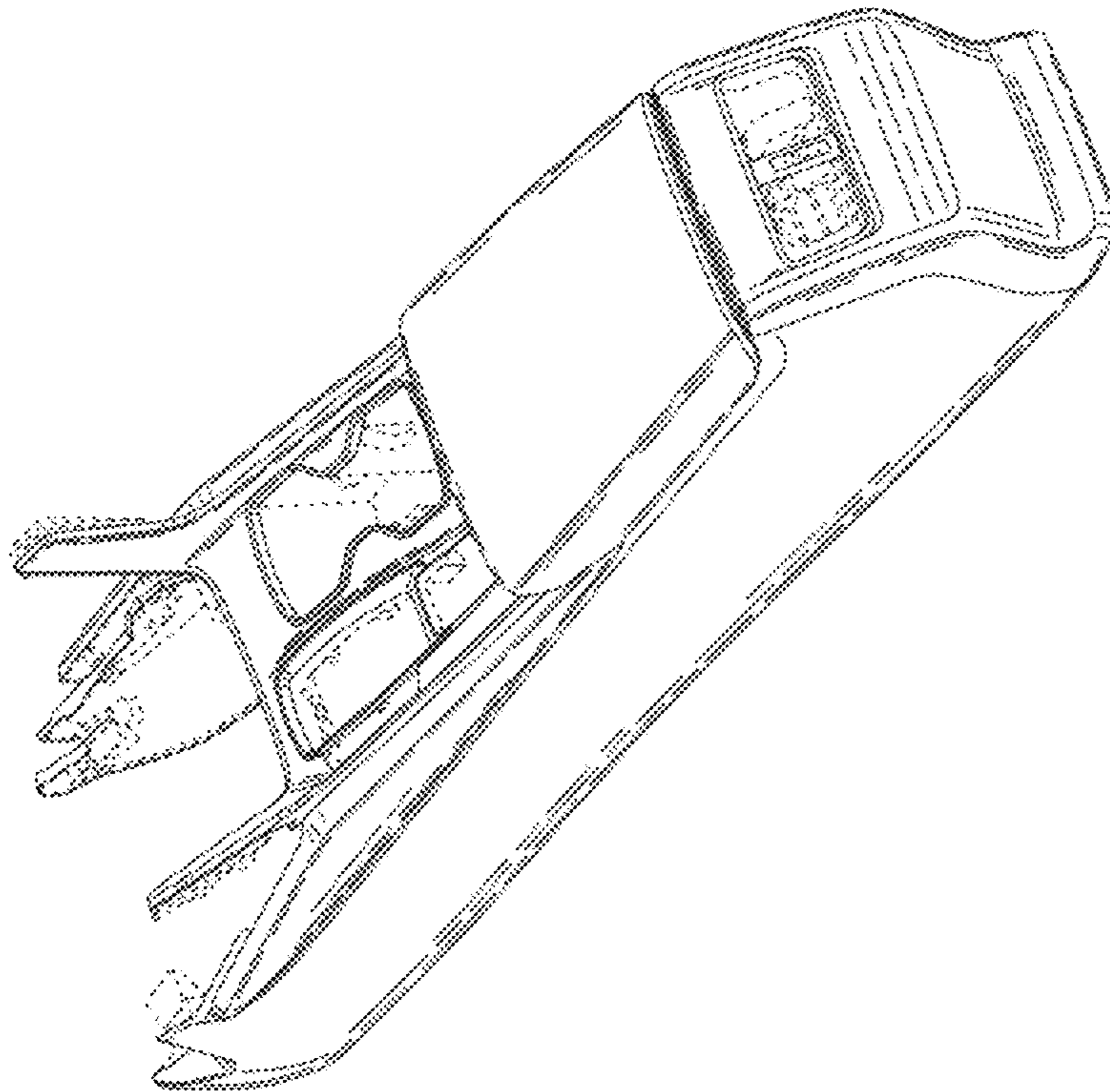


FIG.1

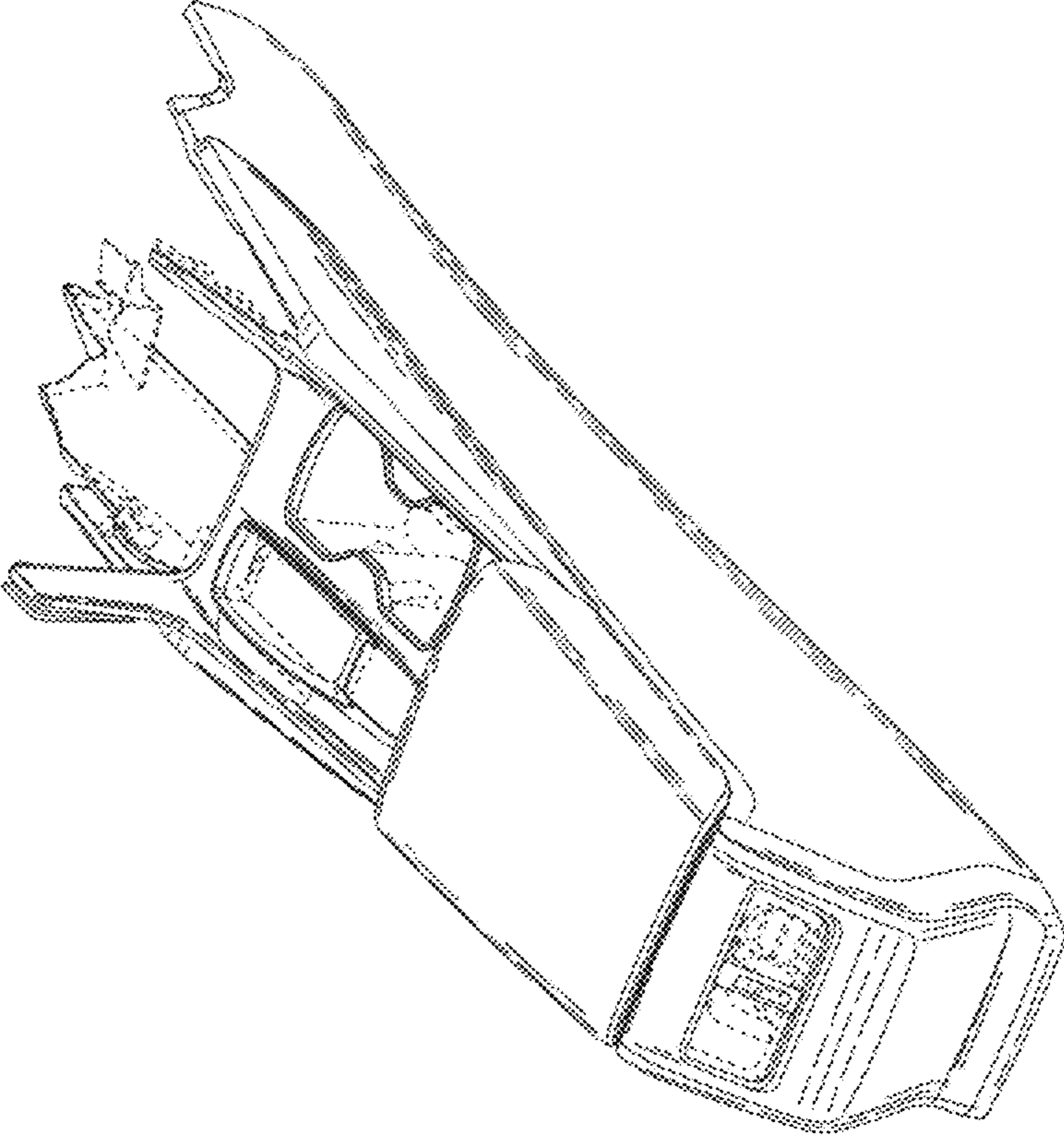


FIG.2

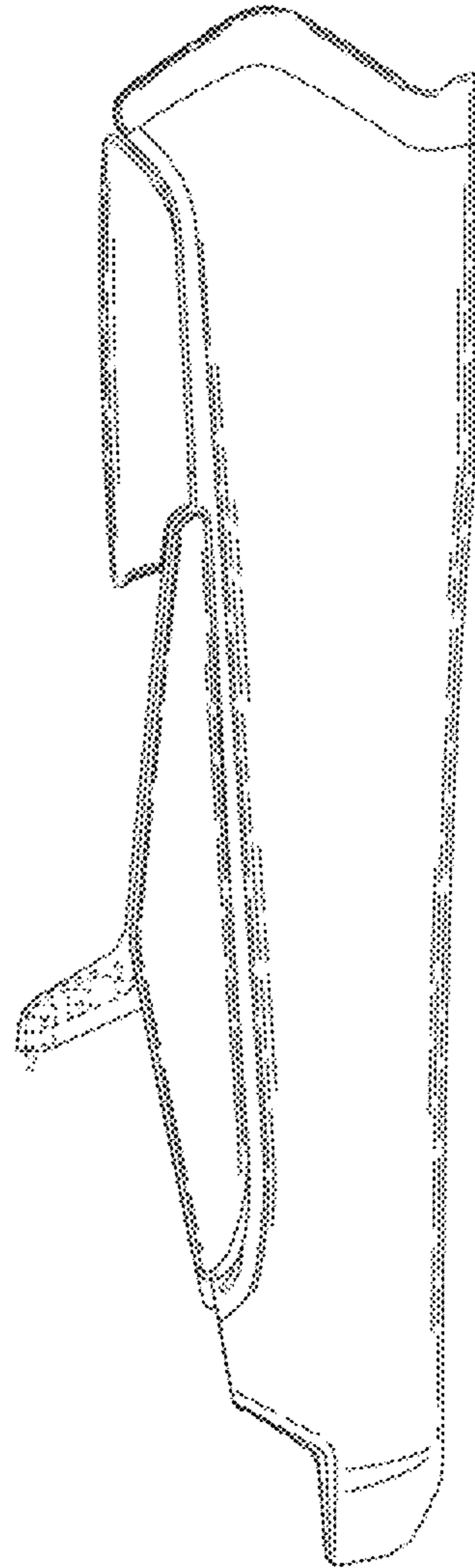


FIG.3

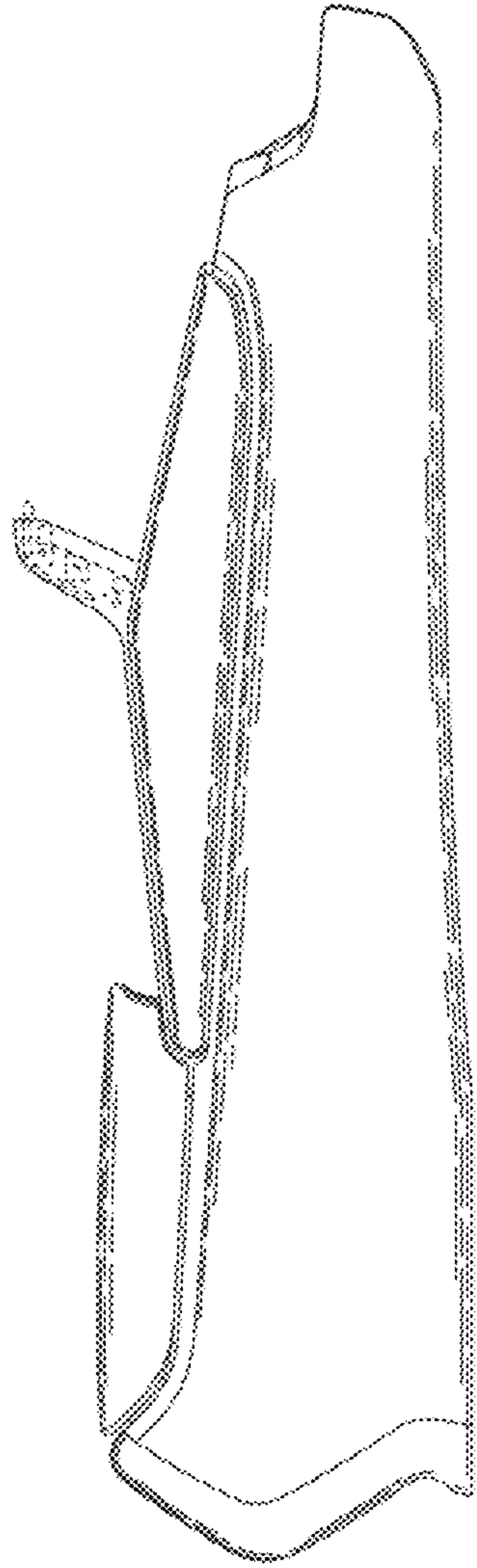


FIG.4

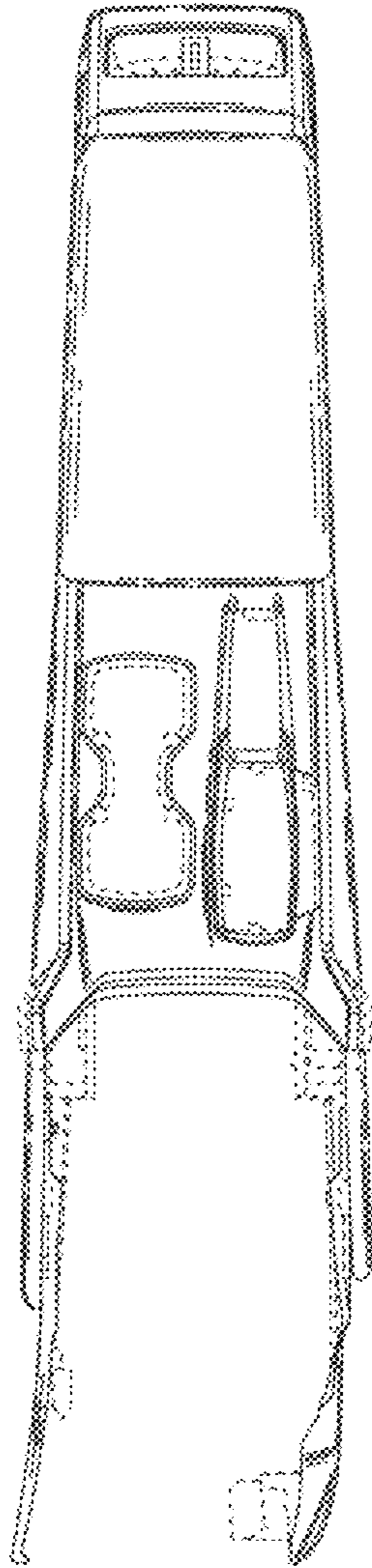


FIG.5

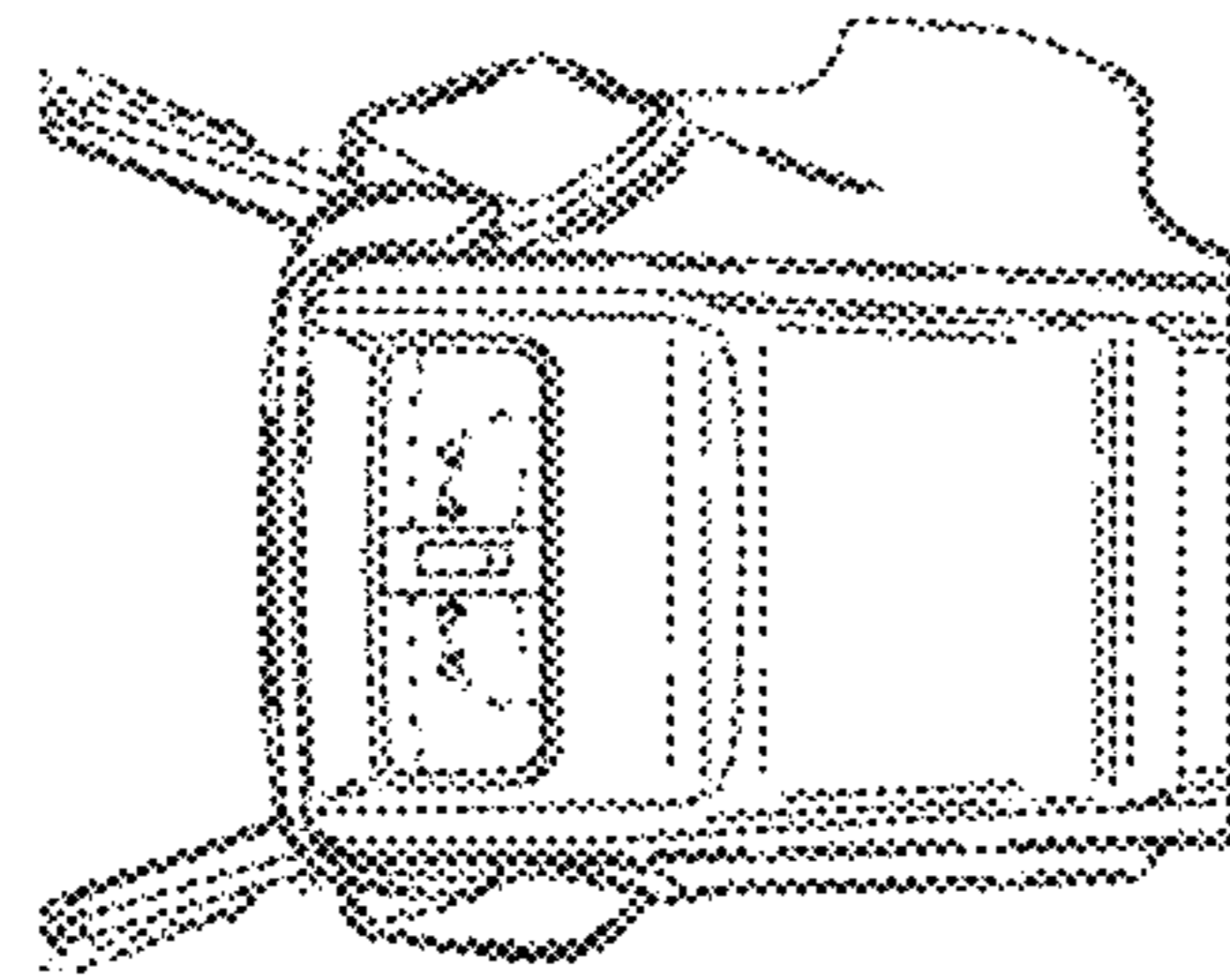


FIG.6