



US00D824837S

(12) **United States Design Patent**
Winter et al.

(10) **Patent No.:** **US D824,837 S**

(45) **Date of Patent:** **** Aug. 7, 2018**

- (54) **OUTER TIE ROD END**
- (71) Applicant: **MEVOTECH LP**, Toronto (CA)
- (72) Inventors: **Simon Winter**, Toronto (CA); **Jack McVeigh**, Toronto (CA); **Tyler Kearns**, Toronto (CA); **Rosan Luiz**, Toronto (CA)
- (73) Assignee: **MEVOTECH LP**, Toronto, Ontario (CA)
- (**) Term: **15 Years**
- (21) Appl. No.: **29/601,524**
- (22) Filed: **Apr. 24, 2017**

4,890,949	A *	1/1990	Wood, Jr.	F16C 11/0623 403/77
5,505,106	A *	4/1996	Herman	B62D 17/00 384/276
6,250,840	B1 *	6/2001	Urbach	F16C 11/0638 403/133
6,695,521	B2 *	2/2004	Kincaid	B60G 7/005 403/132
D566,630	S *	4/2008	Ortiz	D12/159
9,328,749	B2 *	5/2016	Brunneke	B60G 7/001
D778,144	S *	2/2017	Anderson	D8/367
D782,956	S *	4/2017	Scott	D12/400
D784,801	S *	4/2017	Nishide	D8/400
D807,164	S *	1/2018	Nishide	D8/400
2003/0059250	A1 *	3/2003	Moses	F16C 11/068 403/135
2009/0238636	A1 *	9/2009	Howe	F16C 11/069 403/127
2013/0298374	A1 *	11/2013	Lucas	B25B 27/0035 29/426.5

- (30) **Foreign Application Priority Data**
- Oct. 24, 2016 (CA) 171197
- (51) **LOC (11) Cl.** **12-16**
- (52) **U.S. Cl.**
- USPC **D12/400**
- (58) **Field of Classification Search**
- USPC D12/88, 89, 90, 159, 160, 161, 176, 177,
D12/400; D21/563; D8/25, 400;
403/122, 133, 134, 135
- CPC F16D 11/12; F16C 11/06; F16C 11/0604;
F16C 11/068; F16C 11/0695; B60G
21/0551
- See application file for complete search history.

(Continued)

Primary Examiner — Ian Simmons
Assistant Examiner — Yolanda Robinson
 (74) *Attorney, Agent, or Firm* — Kusner & Jaffe

- (56) **References Cited**
- U.S. PATENT DOCUMENTS
- 2,596,885 A * 5/1952 Booth B62D 7/20
29/517
- 3,439,946 A * 4/1969 Gottschald B62D 7/20
403/59
- 4,028,784 A * 6/1977 Allison B62D 7/16
29/898.051

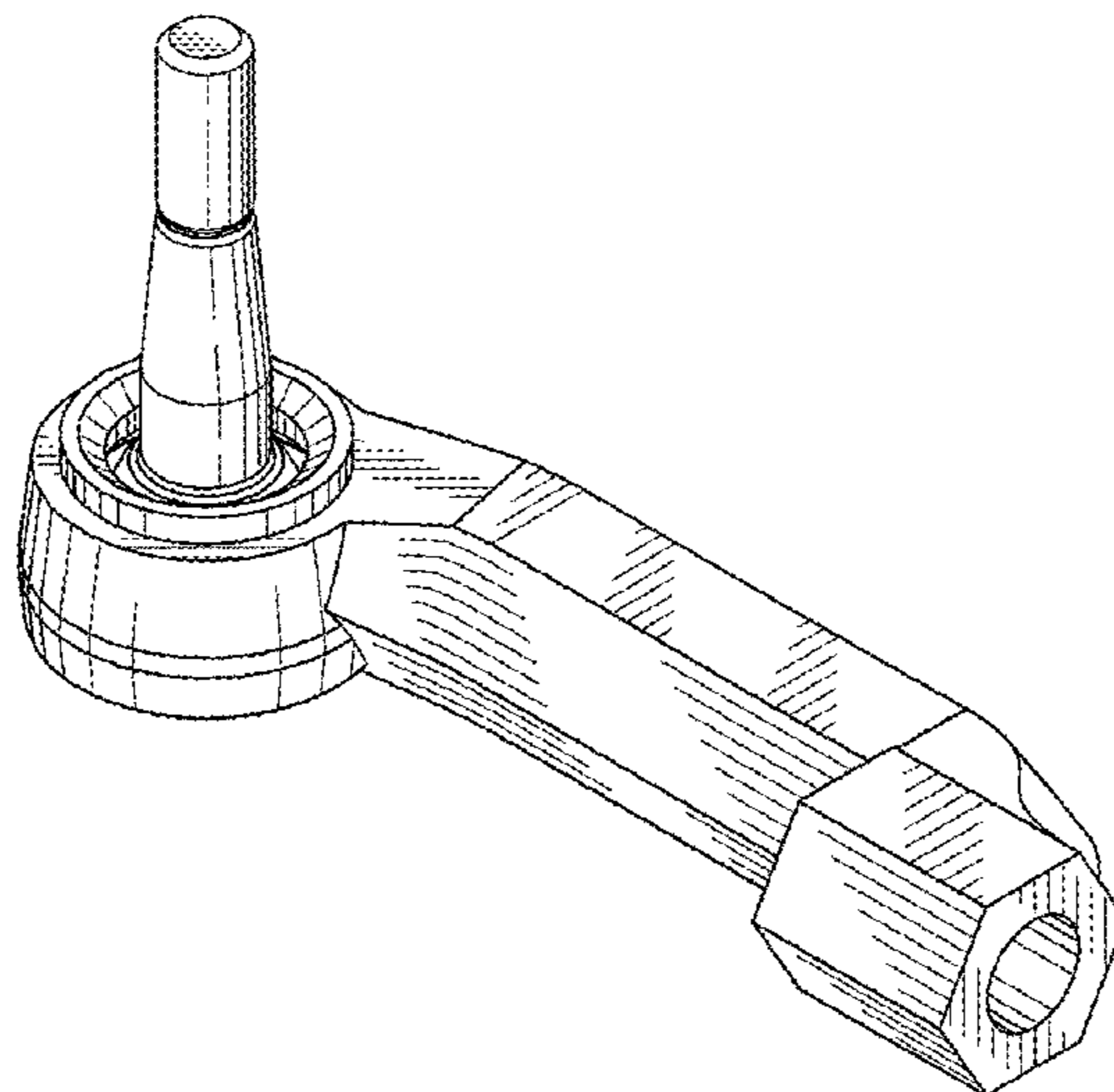
(57) **CLAIM**

The ornamental design for an outer tie rod end, as shown and described.

DESCRIPTION

FIG. 1 is a top left isometric view of an outer tie rod end, showing our design;
 FIG. 2 is a bottom left isometric view thereof;
 FIG. 3 is a rear view thereof;
 FIG. 4 is a front view thereof;
 FIG. 5 is a right side view thereof;
 FIG. 6 is a left side view thereof;
 FIG. 7 is a top view thereof; and,
 FIG. 8 is a bottom view thereof.

1 Claim, 5 Drawing Sheets



(56)

References Cited

U.S. PATENT DOCUMENTS

2017/0210188 A1* 7/2017 Meyer B60G 7/005
2017/0276170 A1* 9/2017 Nachbar F16C 11/0695

* cited by examiner

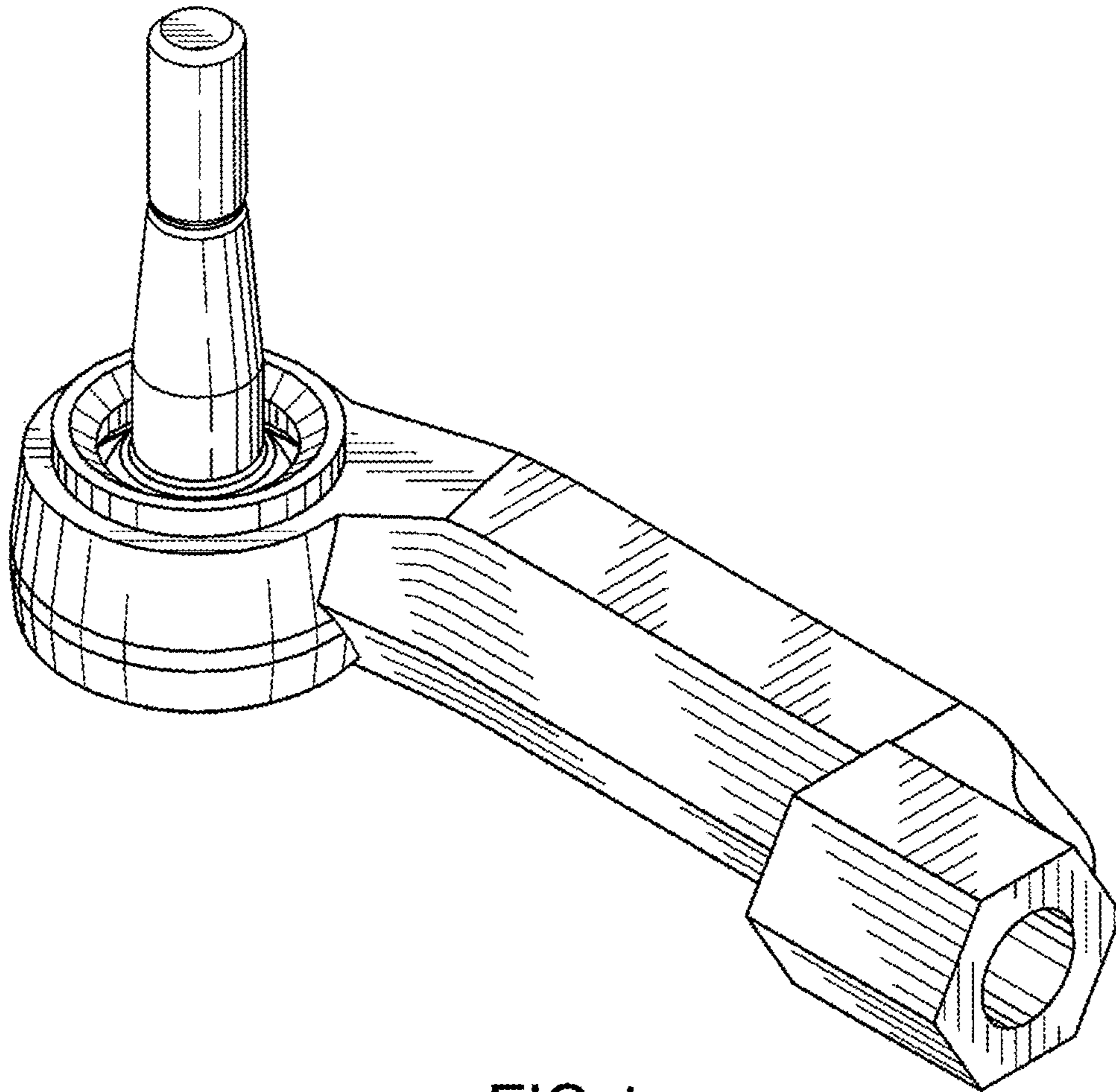


FIG. 1

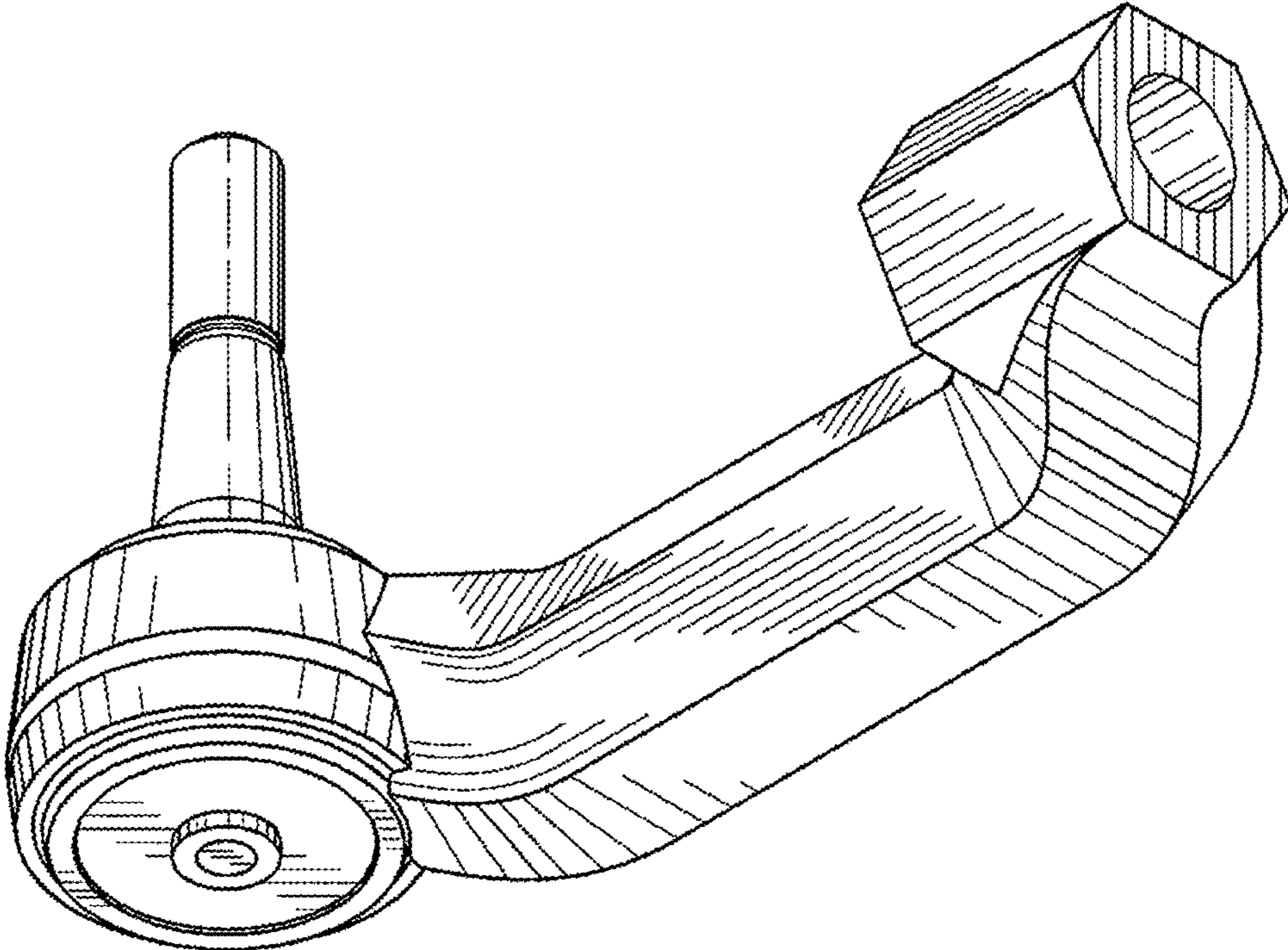


FIG.2

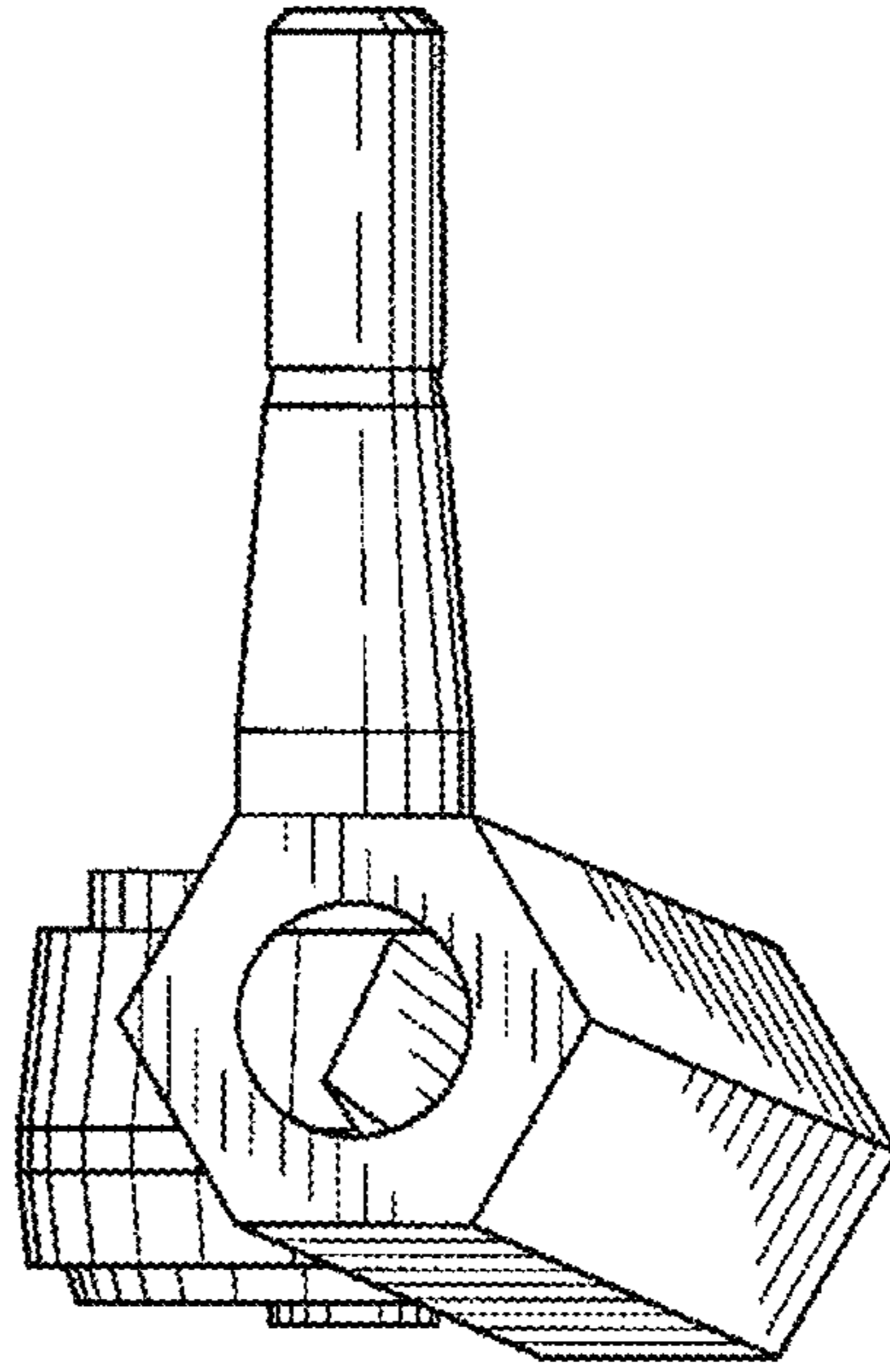


FIG.3

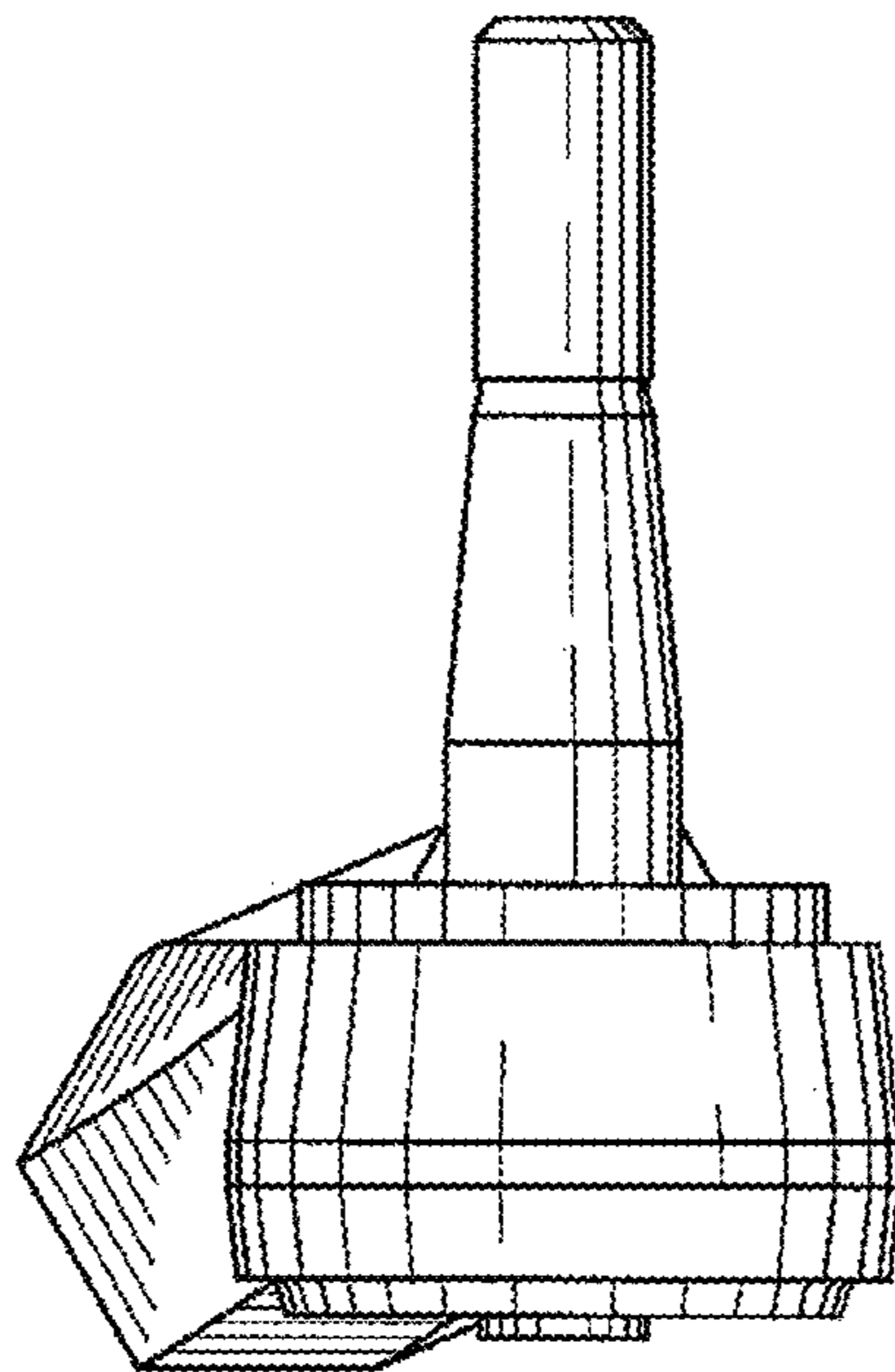


FIG.4

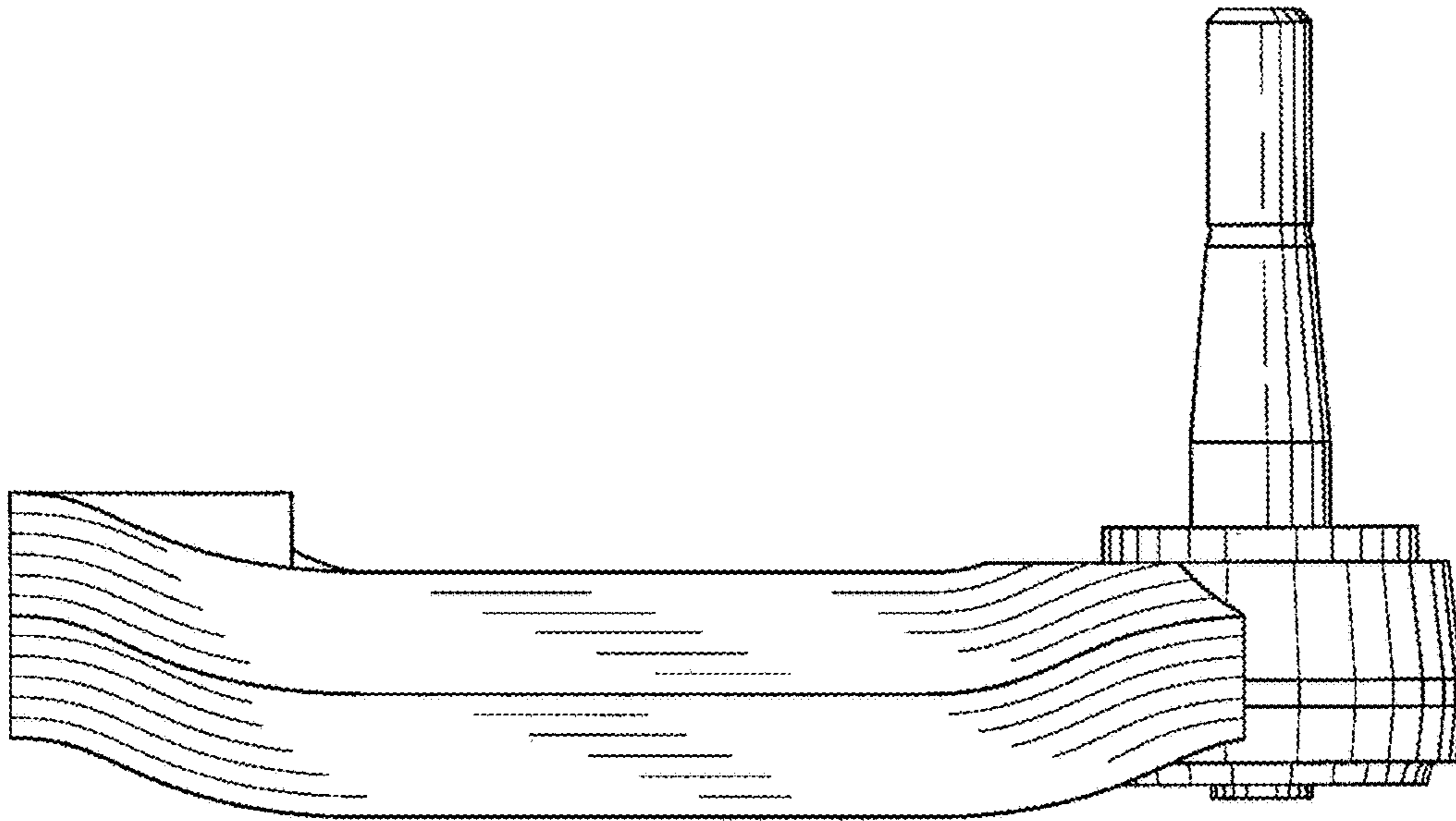


FIG. 5

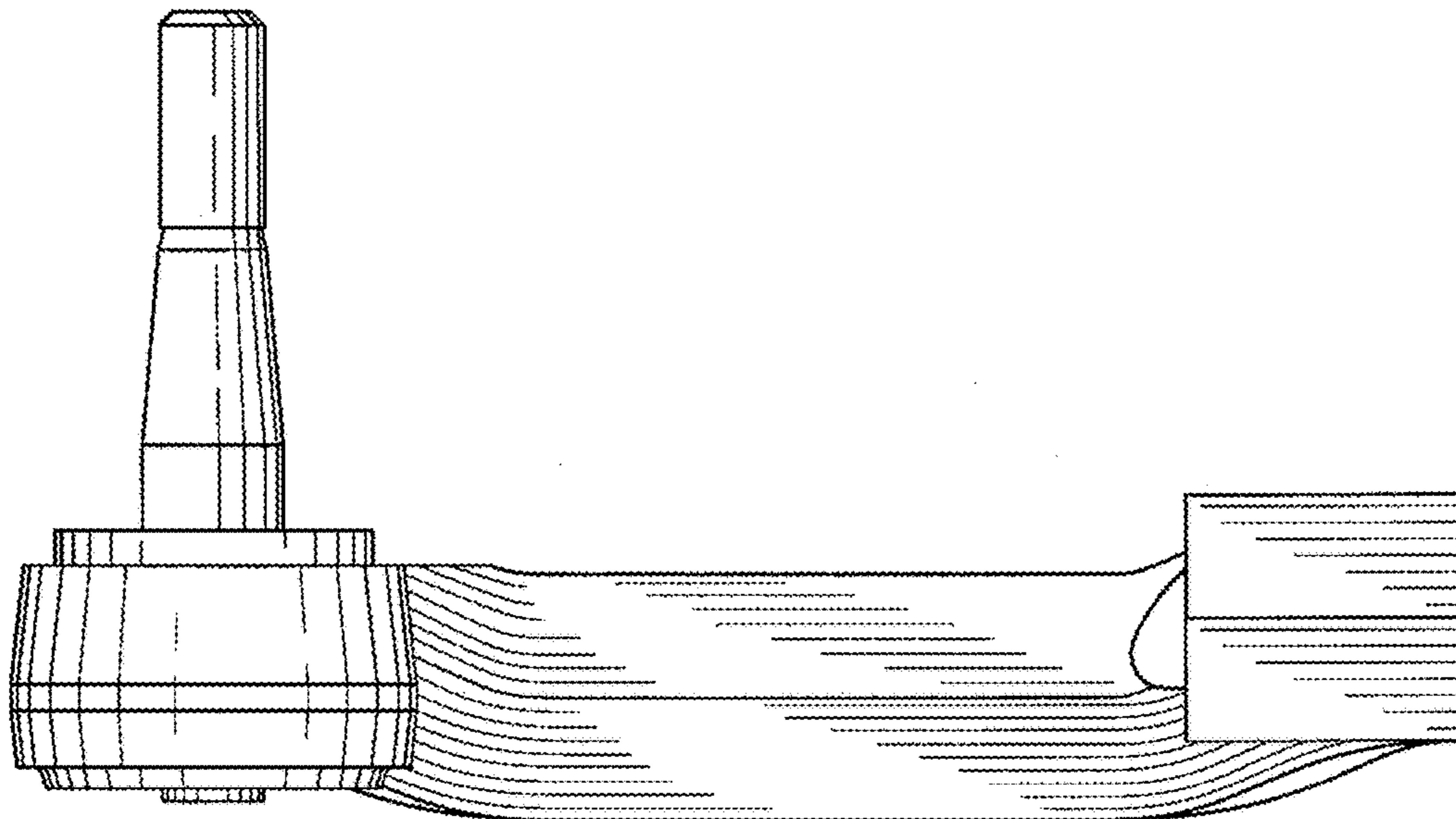


FIG. 6

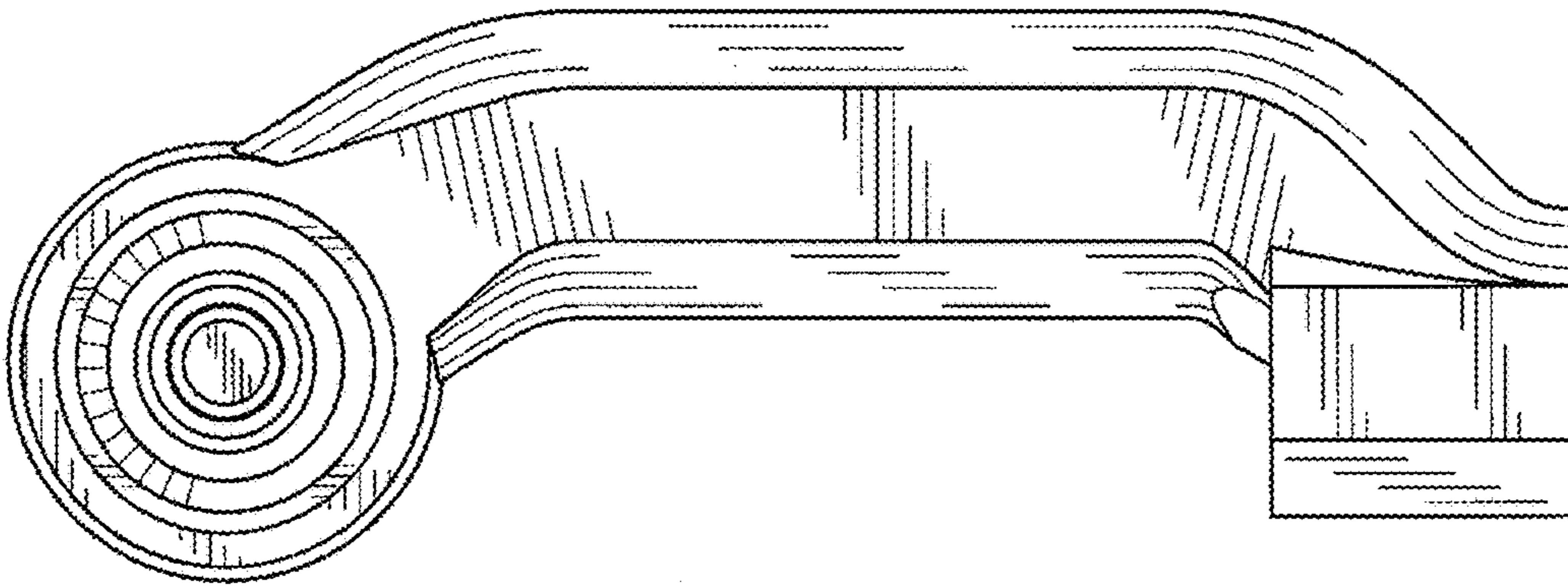


FIG. 7

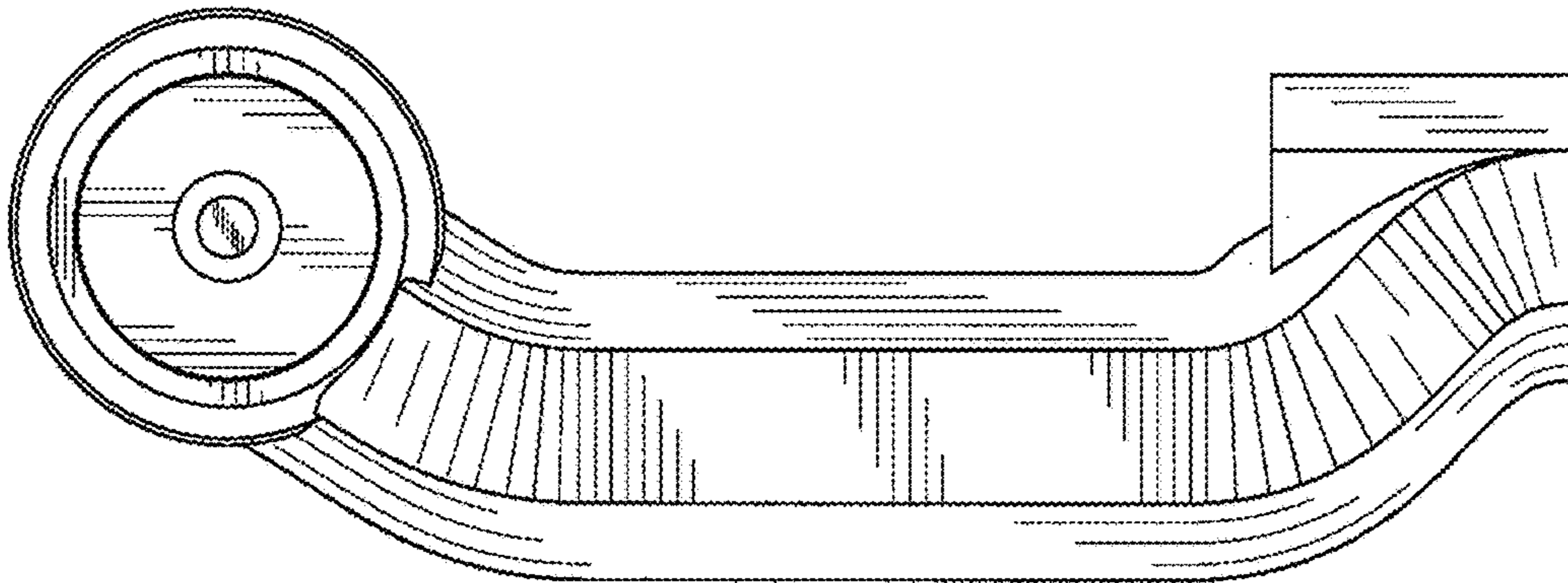


FIG. 8