



US00D824834S

(12) **United States Design Patent**
Lickliter

(10) **Patent No.:** **US D824,834 S**

(45) **Date of Patent:** **** Aug. 7, 2018**

(54) **WHEEL**

(71) Applicant: **Wheel Pros, LLC**, Greenwood Village,
CO (US)

(72) Inventor: **Hans Lickliter**, Canyon County, CA
(US)

(**) Term: **15 Years**

(21) Appl. No.: **29/582,728**

(22) Filed: **Oct. 30, 2016**

(51) **LOC (11) Cl.** **12-16**

(52) **U.S. Cl.**
USPC **D12/211**

(58) **Field of Classification Search**
USPC D12/204–213
CPC B60B 7/00; B60B 7/02; B60B 7/04; B60B
7/01; B60B 7/06; B60B 3/02; B60B 3/04;
B60B 3/06; B60B 3/10; B60B 1/00;
B60B 1/08; B60B 1/10; B60B 1/12
See application file for complete search history.

(56) **References Cited**

U.S. PATENT DOCUMENTS

D273,102 S	3/1984	Woodward	
D291,796 S	9/1987	Reid	
D337,563 S *	7/1993	Boselli	D12/209
D361,975 S	9/1995	Weld	
D396,208 S *	7/1998	Baumgartner	D12/211
D408,775 S	4/1999	Shikado	
D450,030 S *	11/2001	Pfeiffer	D12/211
D455,698 S	4/2002	Chung	
D467,212 S	12/2002	Noriega	

D471,503 S *	3/2003	Baumgartner	D12/211
D478,542 S	8/2003	Sulahian	
D482,996 S	12/2003	Sulahian	
D492,925 S	7/2004	Fitzgerald	
D496,317 S	9/2004	Kataoka	
D500,003 S *	12/2004	Guevara	D12/211
D507,775 S *	7/2005	Pfeiffer	D12/211
D536,655 S *	2/2007	Kim	D12/211
D573,082 S *	7/2008	Young	D12/211
D610,064 S *	2/2010	Dilber	D12/211
D671,062 S *	11/2012	Dilber	D12/211
D698,298 S	1/2014	Cortes	
D711,304 S	8/2014	Chung	
D715,211 S	10/2014	Gotschke	
D721,317 S *	1/2015	Kern	D12/211
D727,825 S *	4/2015	Chung	D12/211
D751,017 S *	3/2016	Chung	D12/209
D751,481 S *	3/2016	Chung	D12/209
D765,574 S *	9/2016	Hale, Jr.	D12/211
D768,045 S *	10/2016	Curic	D12/209
D786,768 S *	5/2017	Youssef	D12/211
D791,049 S *	7/2017	Burki	D12/211
D792,310 S *	7/2017	Burki	D12/211

* cited by examiner

Primary Examiner — Stacia A Cadmus

(74) *Attorney, Agent, or Firm* — Eric Hanscom

(57) **CLAIM**

The ornamental design for a wheel, as shown and described.

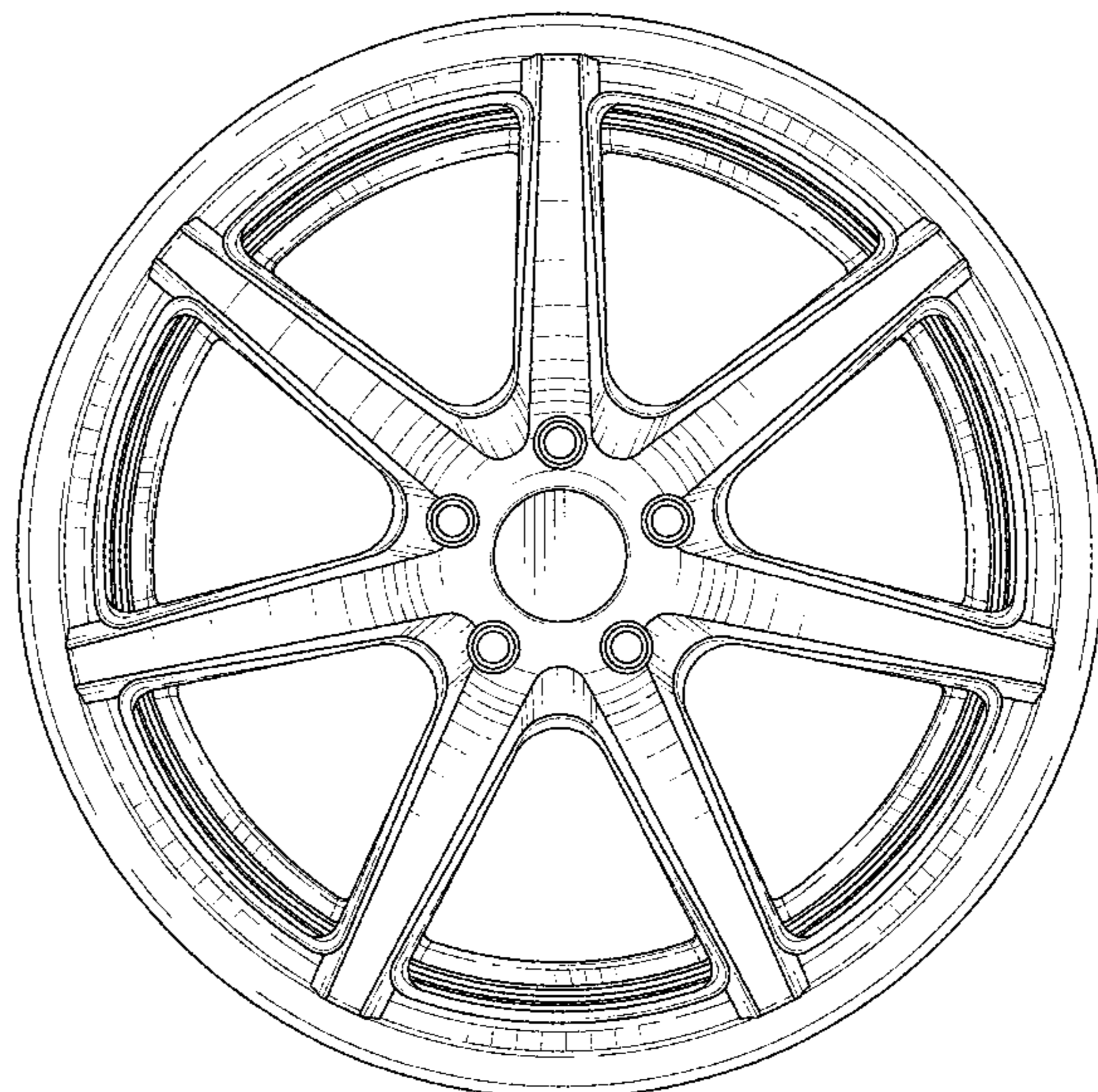
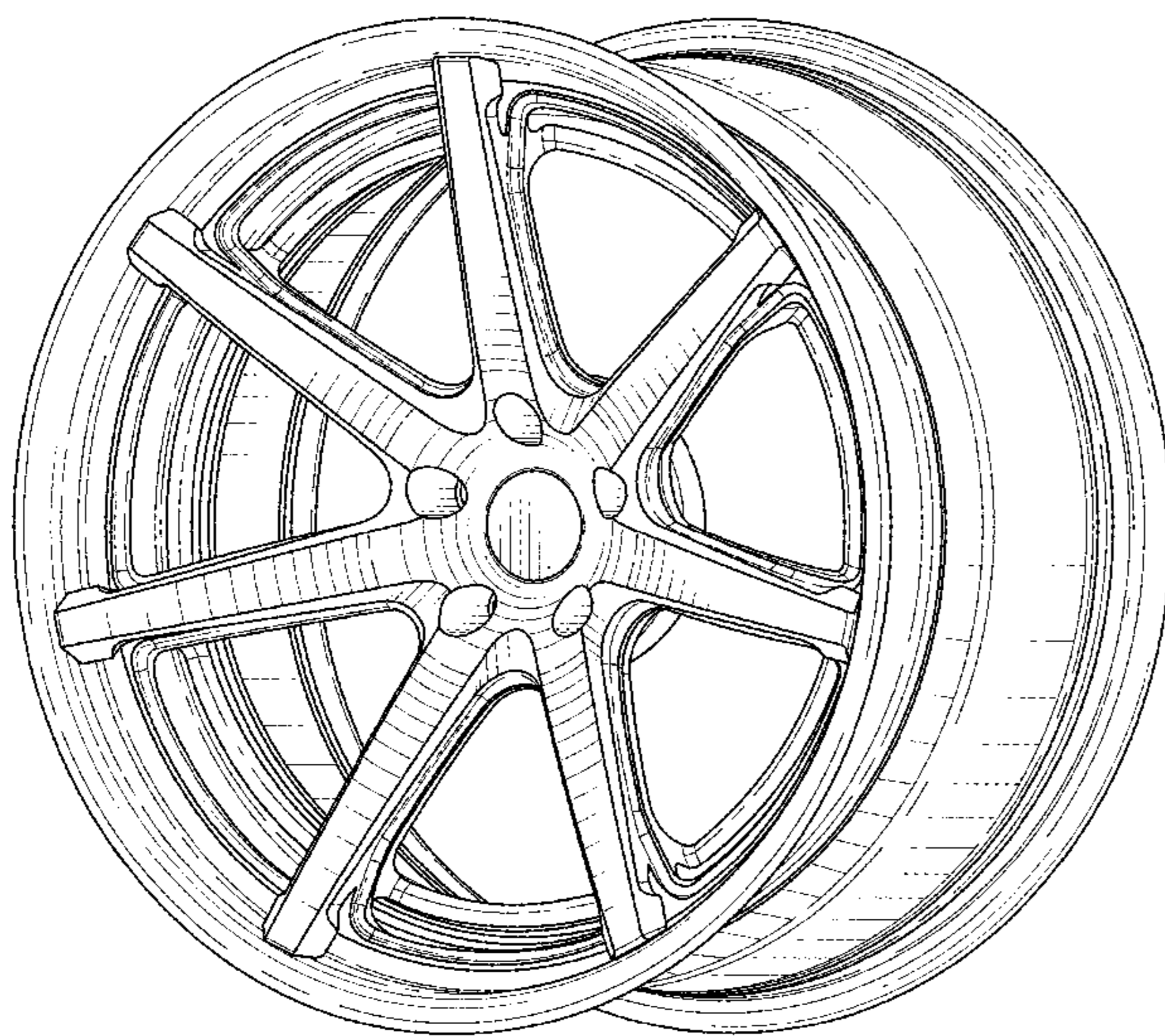
DESCRIPTION

FIG. 1 is a perspective view of a wheel showing my new design;

FIG. 2 is a front view thereof; and,

FIG. 3 is a left side view thereof.

1 Claim, 3 Drawing Sheets



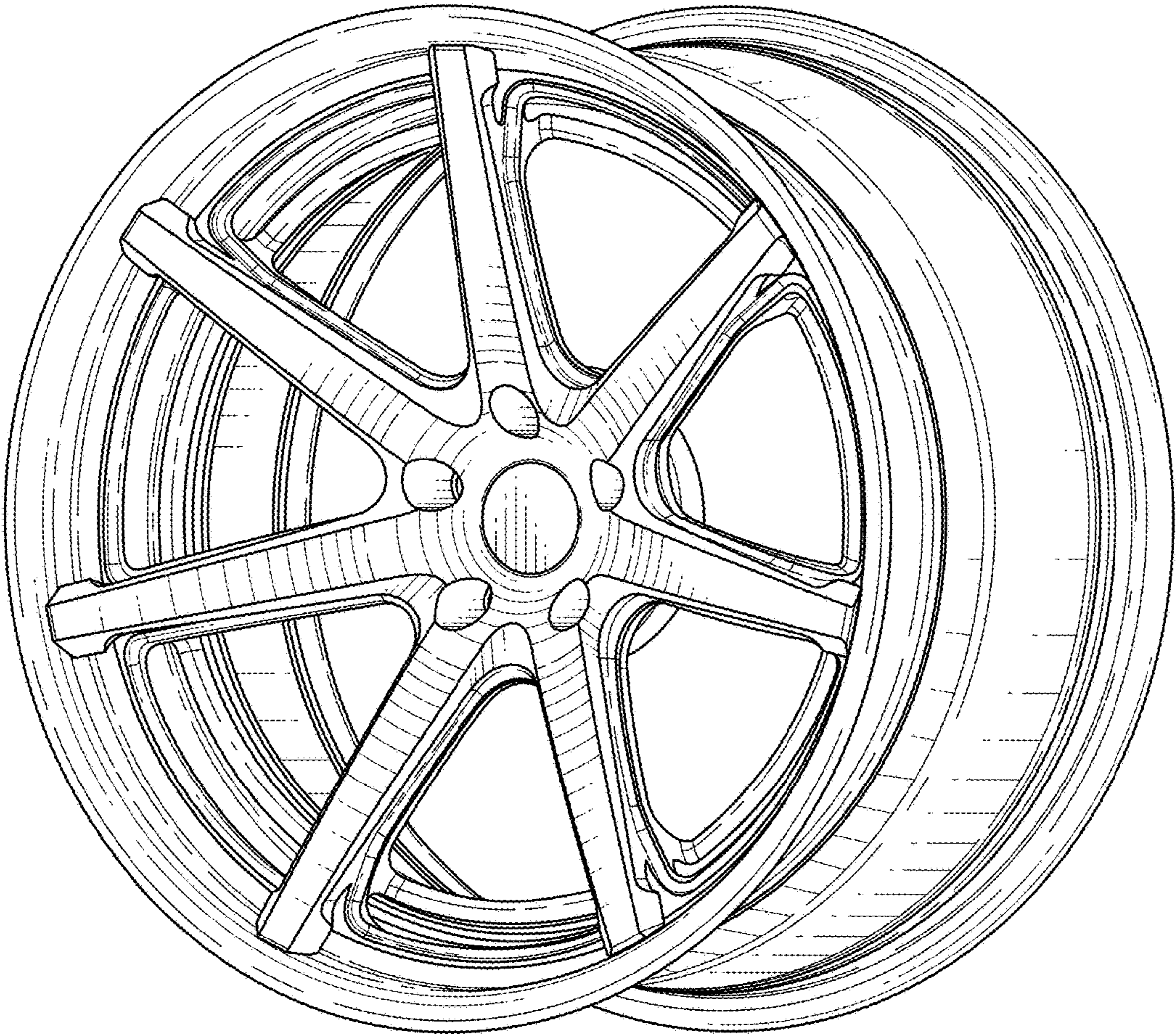


FIG. 1

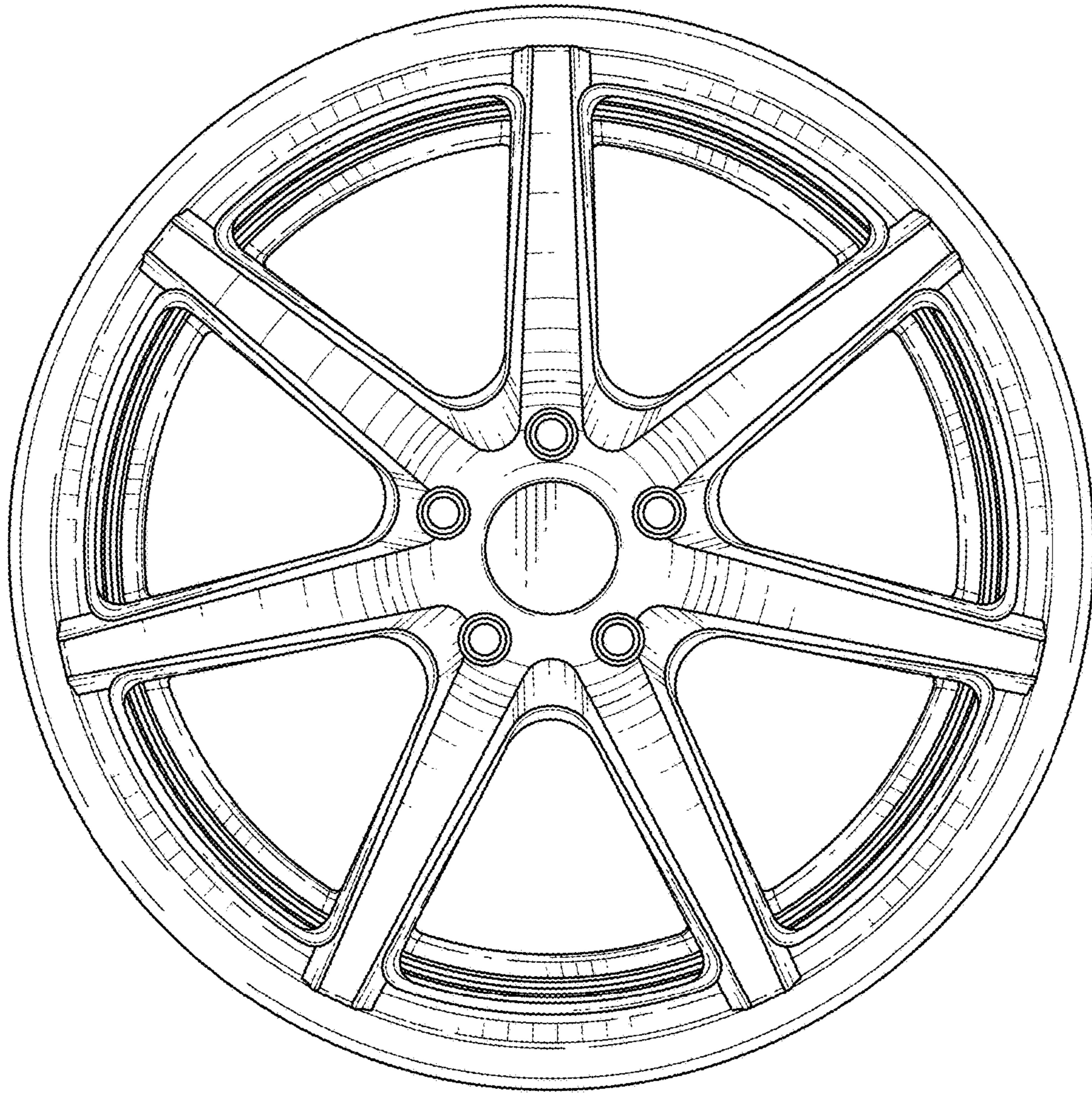


FIG. 2

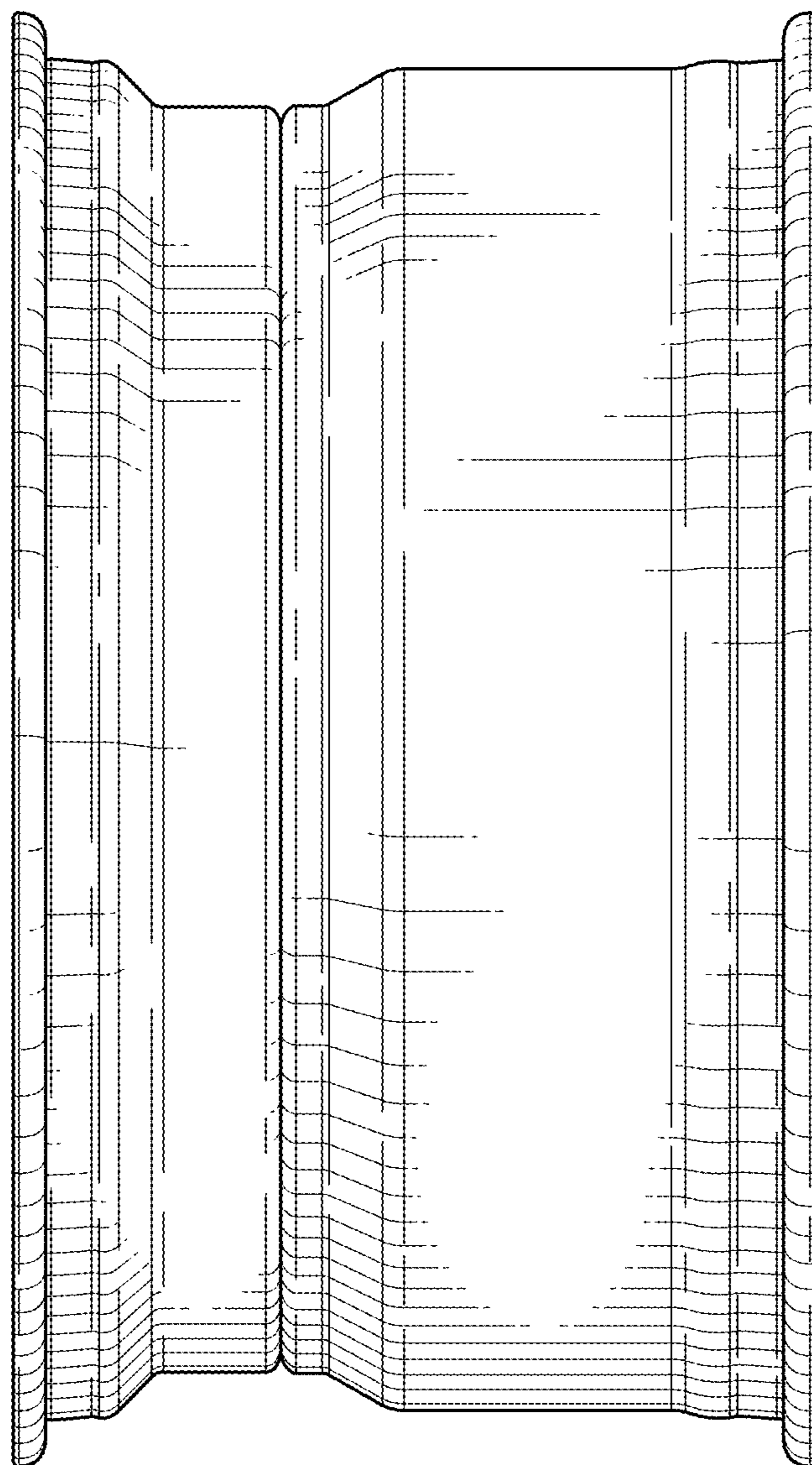


FIG. 3