



US00D824831S

(12) **United States Design Patent**
Oh et al.

(10) **Patent No.:** **US D824,831 S**

(45) **Date of Patent:** **** Aug. 7, 2018**

- (54) **WHEEL**
- (71) Applicant: **Faraday & Future Inc.**, Gardena, CA (US)
- (72) Inventors: **Brian Sung Oh**, Granada Hills, CA (US); **Richard S. Kim**, Los Angeles, CA (US); **Calvin Liu**, Torrance, CA (US)

D684,913 S *	6/2013	Chen	D12/209
D686,965 S *	7/2013	Pollmann	D12/211
D697,858 S *	1/2014	Kito	D12/209
D738,280 S *	9/2015	Hale	D12/209
D757,625 S *	5/2016	Hu	D12/209
D759,565 S *	6/2016	Cybulski	D12/209
D765,000 S *	8/2016	Song	D12/209
D774,434 S *	12/2016	Nakahara	D12/209
D774,438 S *	12/2016	Valencia Pollex	D12/209
D782,384 S *	3/2017	Oh	D12/209
D789,270 S *	6/2017	Hodges	D12/209

(73) Assignee: **FARADAY & FUTURE INC.**, Gardena, CA (US)

* cited by examiner

(**) Term: **15 Years**

Primary Examiner — Sheryl Lane

Assistant Examiner — Calvin E Vansant

(21) Appl. No.: **29/577,338**

(74) *Attorney, Agent, or Firm* — Finnegan, Henderson, Farabow, Garrett & Dunner, LLP

(22) Filed: **Sep. 12, 2016**

(57) **CLAIM**

(51) **LOC (11) Cl.** **12-16**

The ornamental design for a wheel, as shown and described.

(52) **U.S. Cl.**

DESCRIPTION

USPC **D12/209**

(58) **Field of Classification Search**

USPC D12/204–213

CPC B60B 7/00; B60B 7/02; B60B 7/04; B60B

7/01; B60B 7/06; B60B 3/02; B60B 3/04;

B60B 3/06; B60B 3/10; B60B 1/00;

B60B 1/08; B60B 1/10; B60B 1/12

See application file for complete search history.

FIG. 1 is a front perspective view of a wheel, showing our new design;

FIG. 2 is a front view thereof;

FIG. 3 is a right side view thereof, it being understood that the left side view, top view and bottom view are identical; and,

FIG. 4 is an enlarged partial view of a portion of the wheel defined by line 4-4 in FIG. 2.

In the drawings, the broken lines depict environmental subject matter only and form no part of the claimed design.

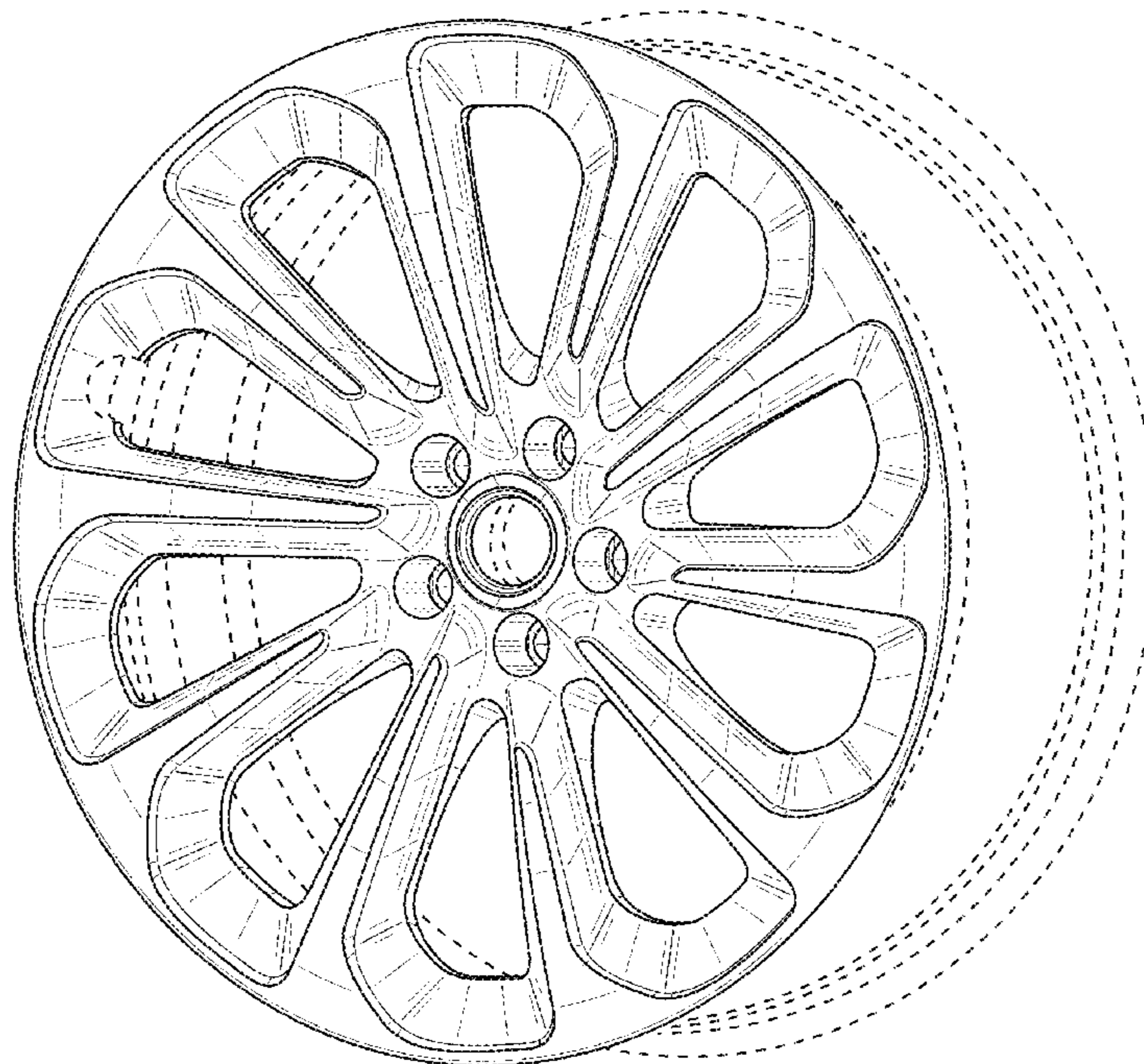
The dash-dot-dash broken lines define the bounds of the claimed design and form no part thereof.

(56) **References Cited**

U.S. PATENT DOCUMENTS

D635,077 S *	3/2011	Nordmann	D12/209
D671,479 S *	11/2012	Gonser	D12/209
D681,531 S *	5/2013	Fetherston	D12/209

1 Claim, 4 Drawing Sheets



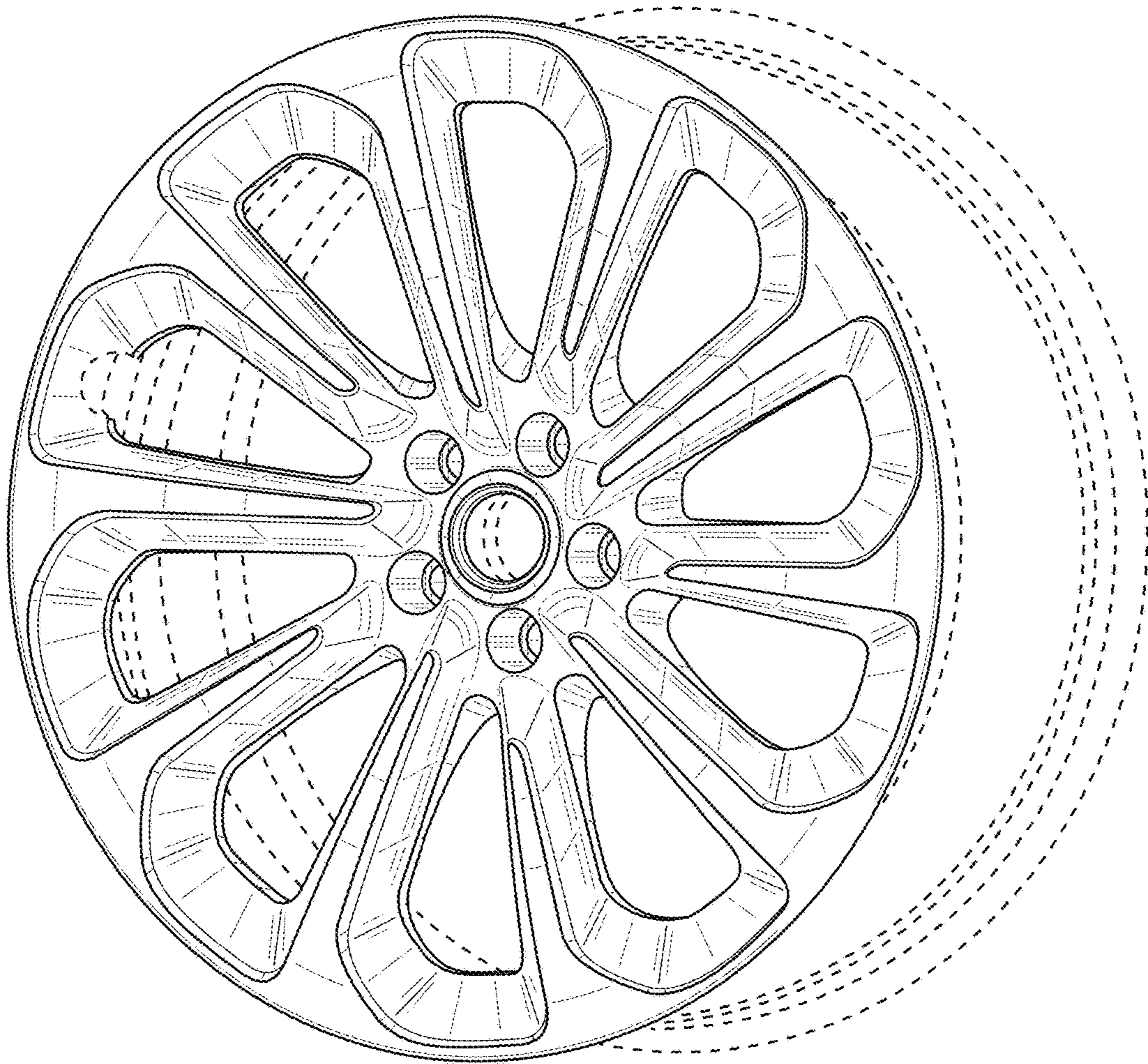


FIG. 1

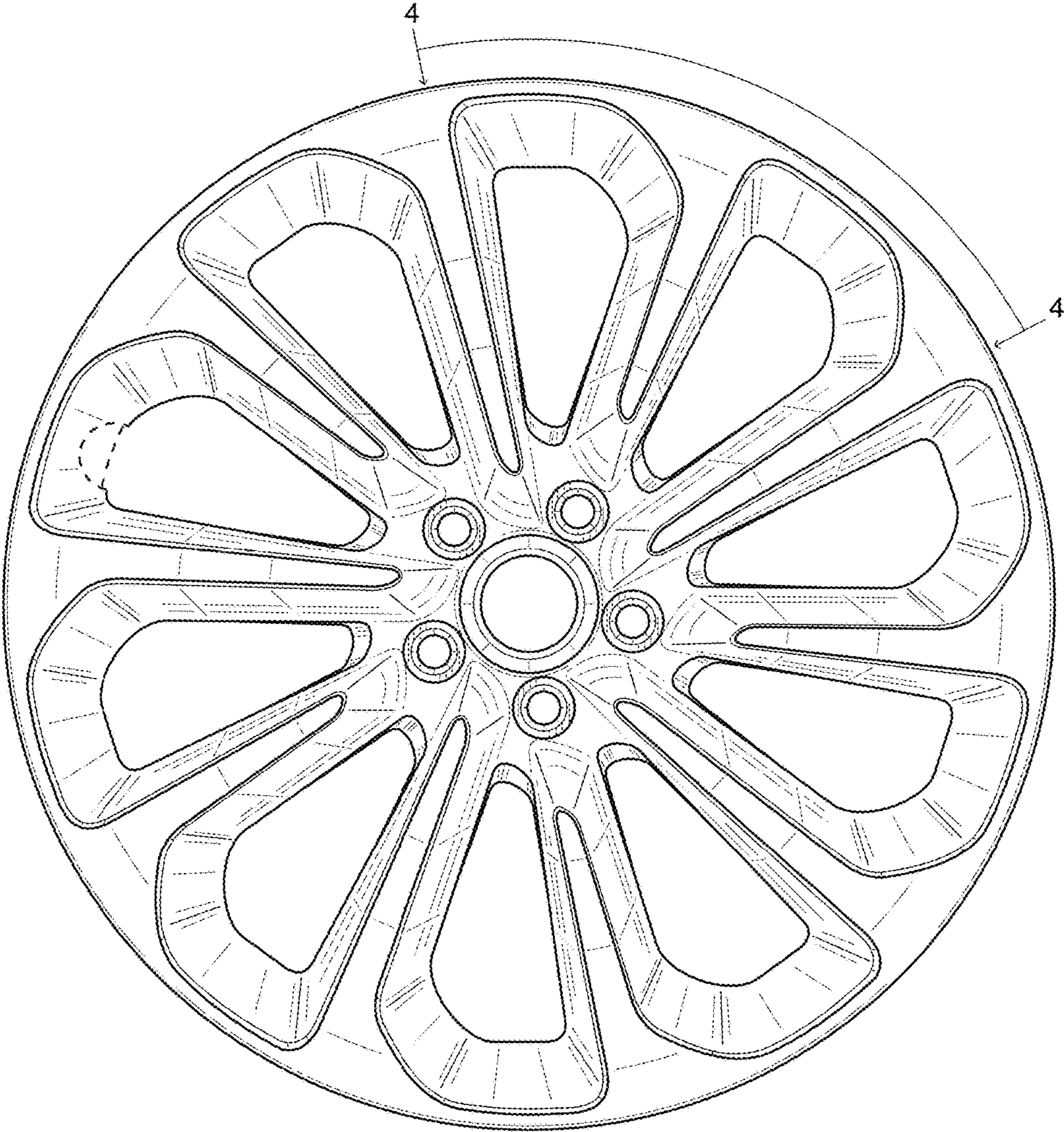


FIG. 2

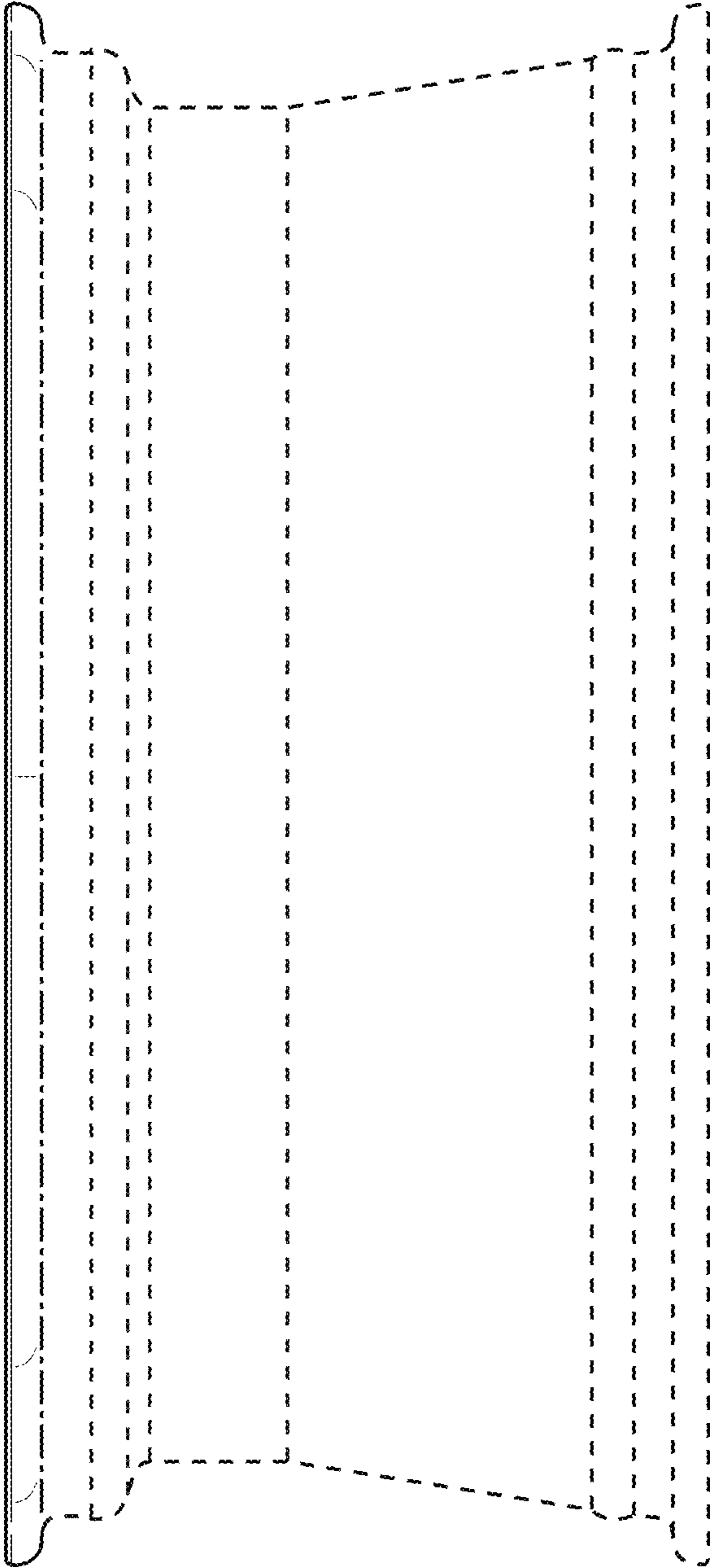


FIG. 3

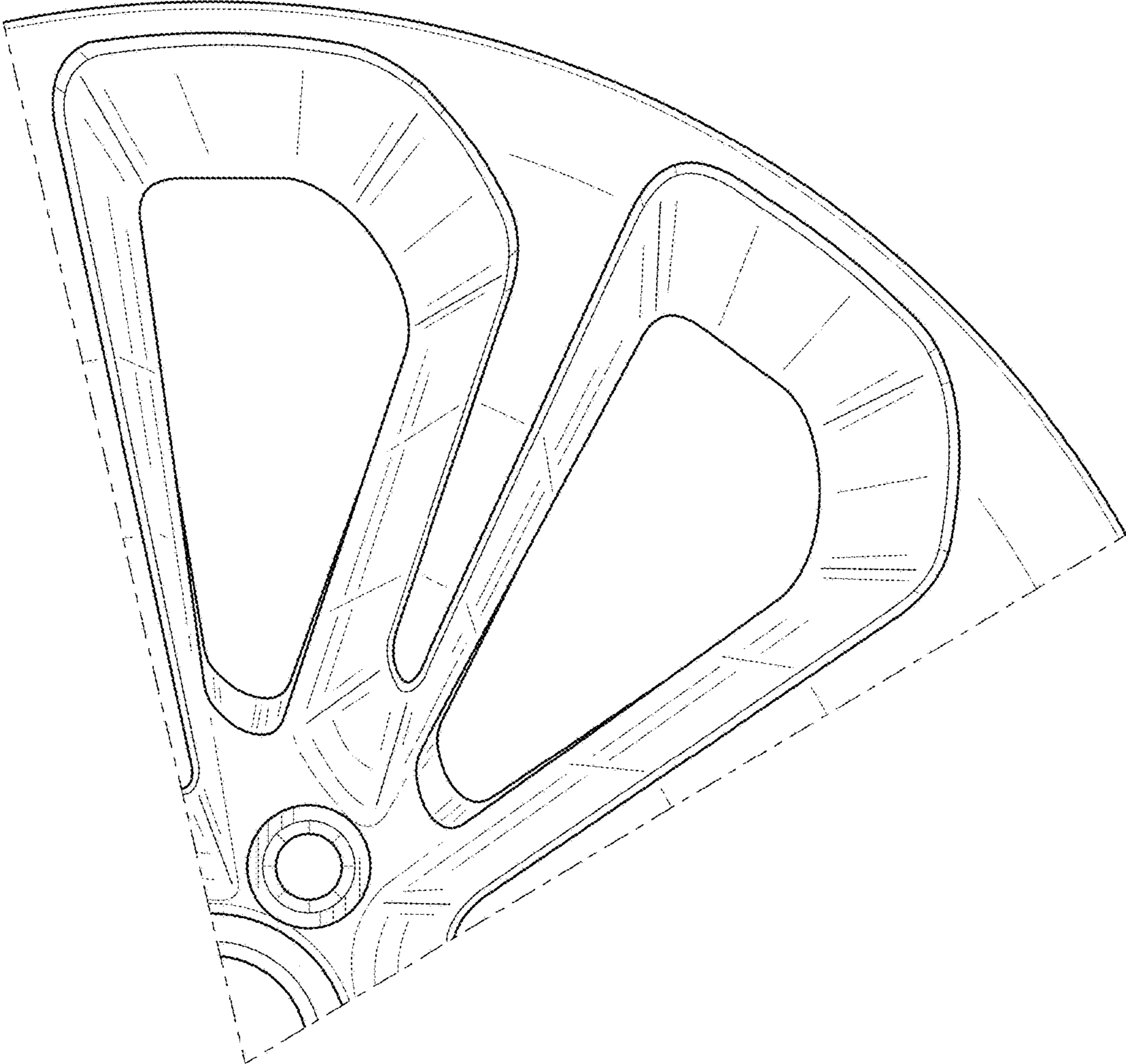


FIG. 4