



US00D824829S

(12) **United States Design Patent** (10) **Patent No.:** **US D824,829 S**
Baty (45) **Date of Patent:** **** Aug. 7, 2018**

(54) **LICENSE PLATE FRAME**

(71) Applicant: **Gregory Lee Baty**, Foothill Ranch, CA (US)

(72) Inventor: **Gregory Lee Baty**, Foothill Ranch, CA (US)

(**) Term: **15 Years**

(21) Appl. No.: **29/593,722**

(22) Filed: **Feb. 11, 2017**

(51) **LOC (11) Cl.** **12-16**

(52) **U.S. Cl.**
USPC **D12/193**

(58) **Field of Classification Search**
USPC D12/193; D6/300, 301, 302, 310, 311,
D6/312, 313, 314; D20/13
CPC B60R 13/10; B60R 13/105; B60R 19/24;
B60R 19/52
See application file for complete search history.

(56) **References Cited**

U.S. PATENT DOCUMENTS

D481,660 S *	11/2003	Super	D12/193
D563,288 S *	3/2008	Moore	D12/163
D577,643 S *	9/2008	Hu	D12/193
D601,070 S *	9/2009	Boyce	D12/193
D627,506 S *	11/2010	Lin	D26/125
D662,016 S *	6/2012	Worthington	D12/193
D695,174 S *	12/2013	Kang	D12/193
D699,172 S *	2/2014	Kang	D12/193
2013/0152435 A1 *	6/2013	Spencer	B60R 13/105 40/209

* cited by examiner

Primary Examiner — George D. Kirschbaum
Assistant Examiner — Natasha Vujcic

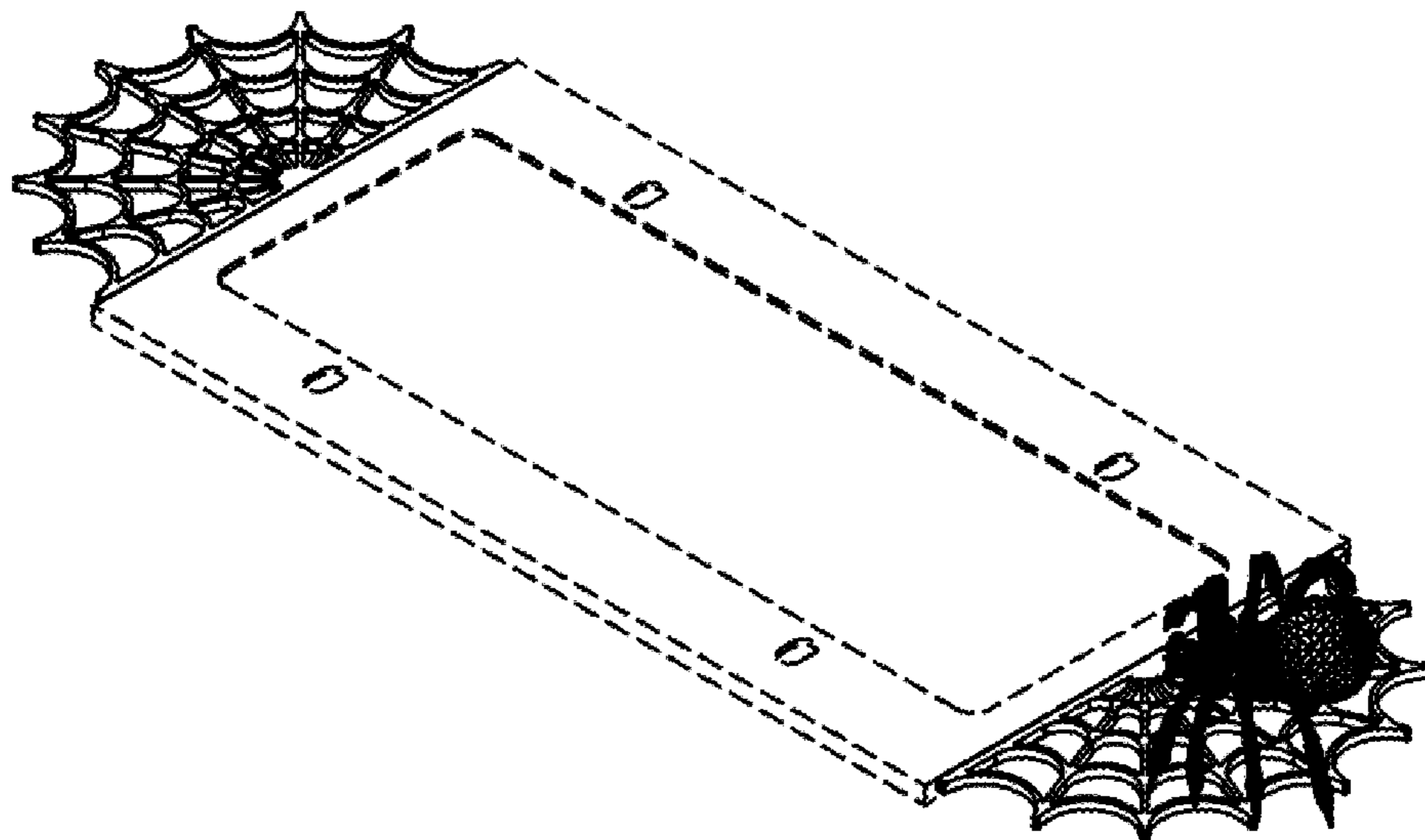
(57) **CLAIM**

I claim, the ornamental design for a license plate frame, as shown and described.

DESCRIPTION

FIG. 1 is a top plan view of a license plate frame, with web(s), and spider(s) on the right, showing my new design; FIG. 2 is a top perspective view thereof; FIG. 3 is a front elevational view thereof; FIG. 4 is a right side elevational view thereof; FIG. 5 is a bottom view thereof; FIG. 6 is a bottom perspective view thereof; FIG. 7 is a top plan view of a license plate frame, with web(s), and spider(s) on the left; FIG. 8 is a top perspective view thereof; FIG. 9 is a front elevational view thereof; FIG. 10 is a right side elevational view thereof; FIG. 11 is a bottom view thereof; FIG. 12 is a bottom perspective view thereof; FIG. 13 is a top plan view of a license plate frame, with web(s), and spider(s) on the left and right; FIG. 14 is a top perspective view thereof; FIG. 15 is a front elevational view thereof; FIG. 16 is a right side elevational view thereof; FIG. 17 is a bottom view thereof; and, FIG. 18 is a bottom perspective view thereof. The broken lines in the drawings illustrate portions of the license plate frame which forms no part of the claimed design.

1 Claim, 3 Drawing Sheets



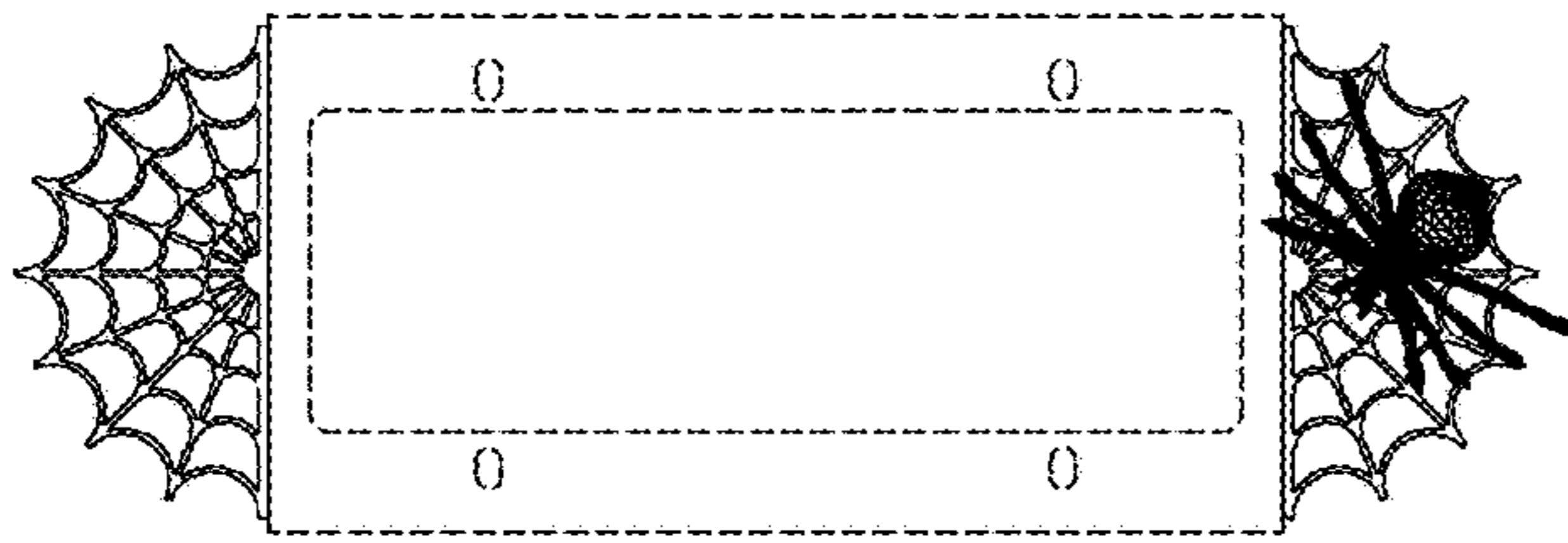


Fig. 1

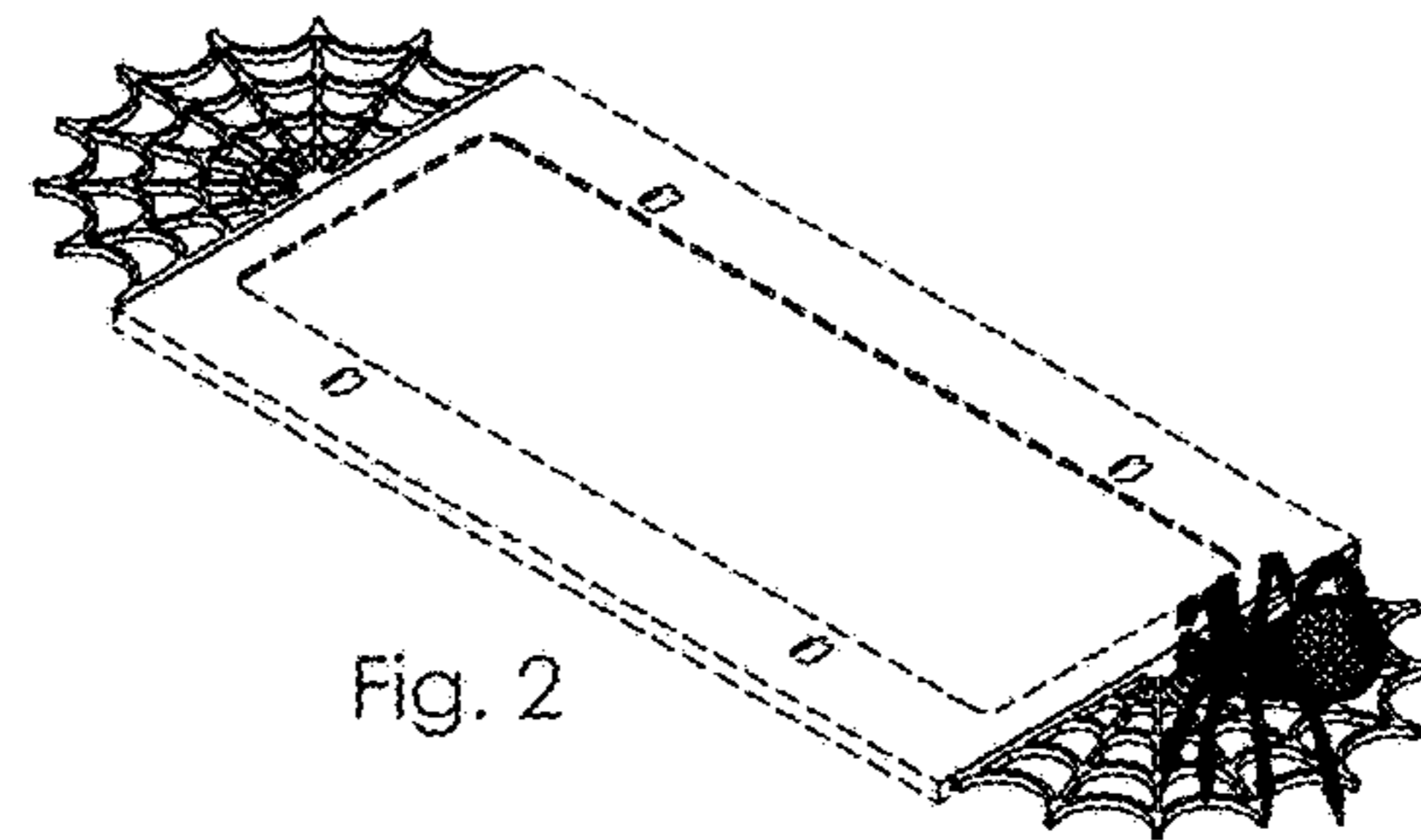


Fig. 2

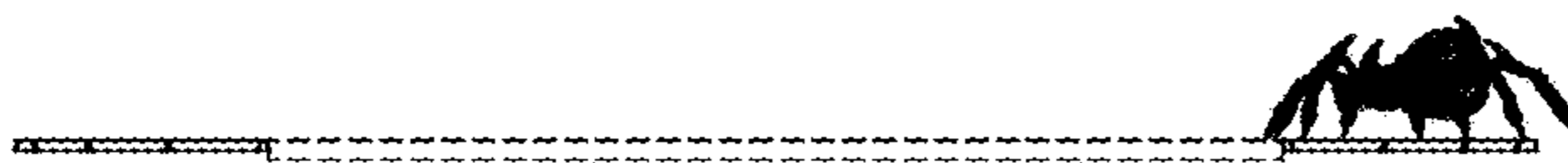


Fig. 3



Fig. 4

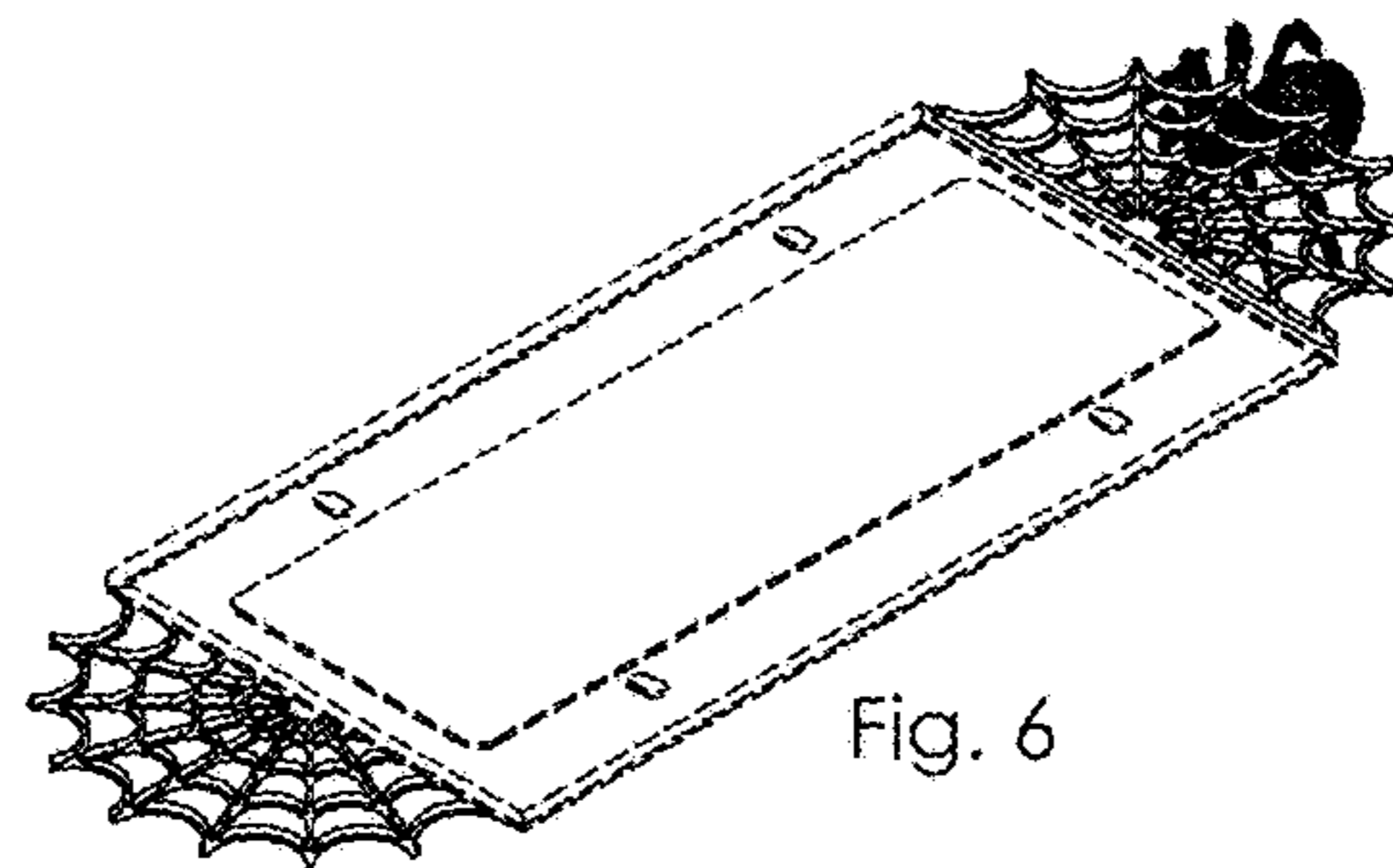


Fig. 6

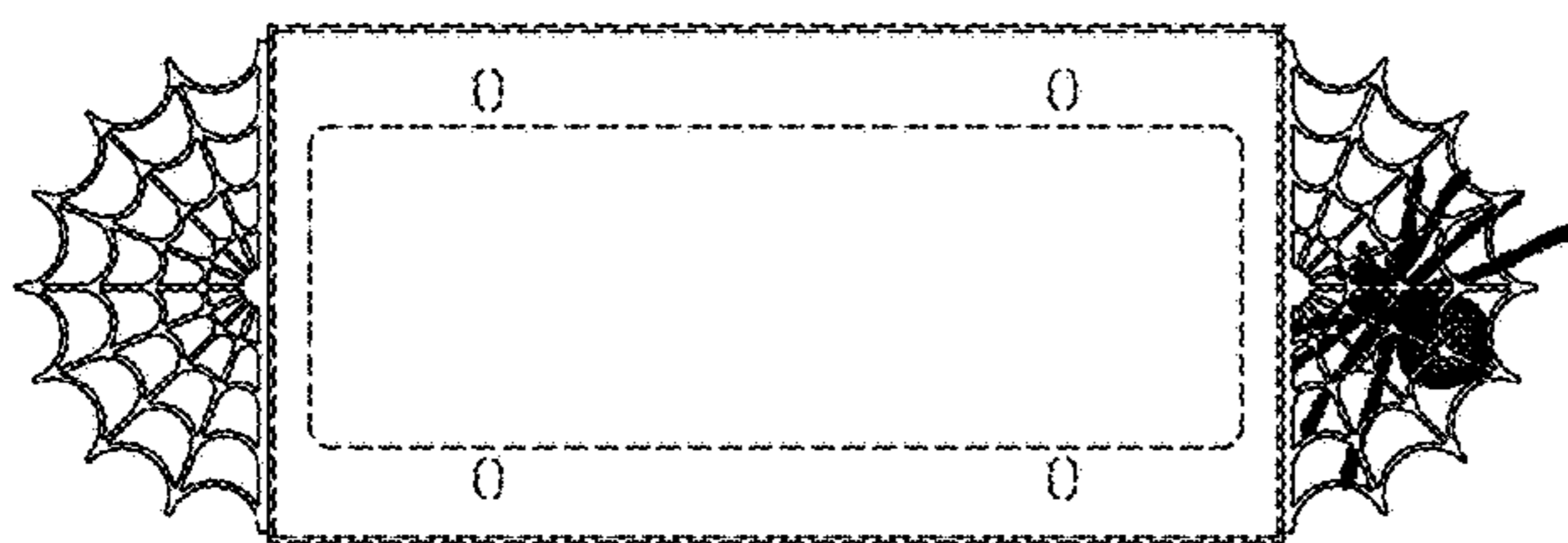


Fig. 5

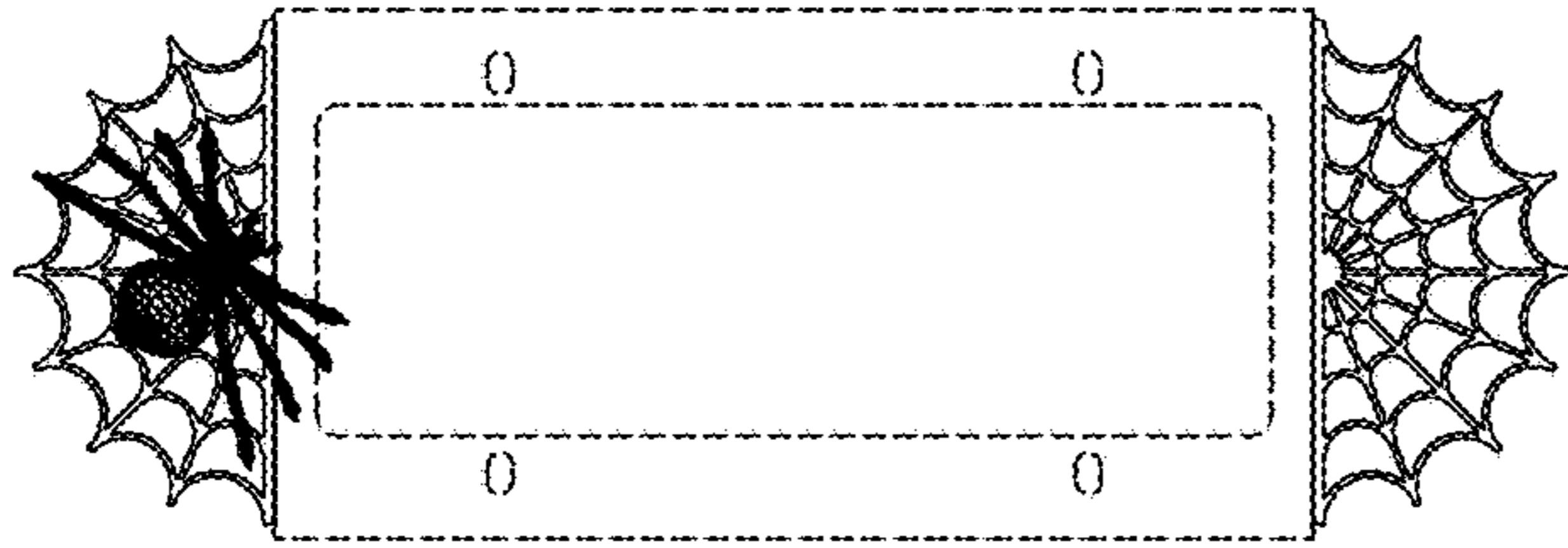


Fig. 7

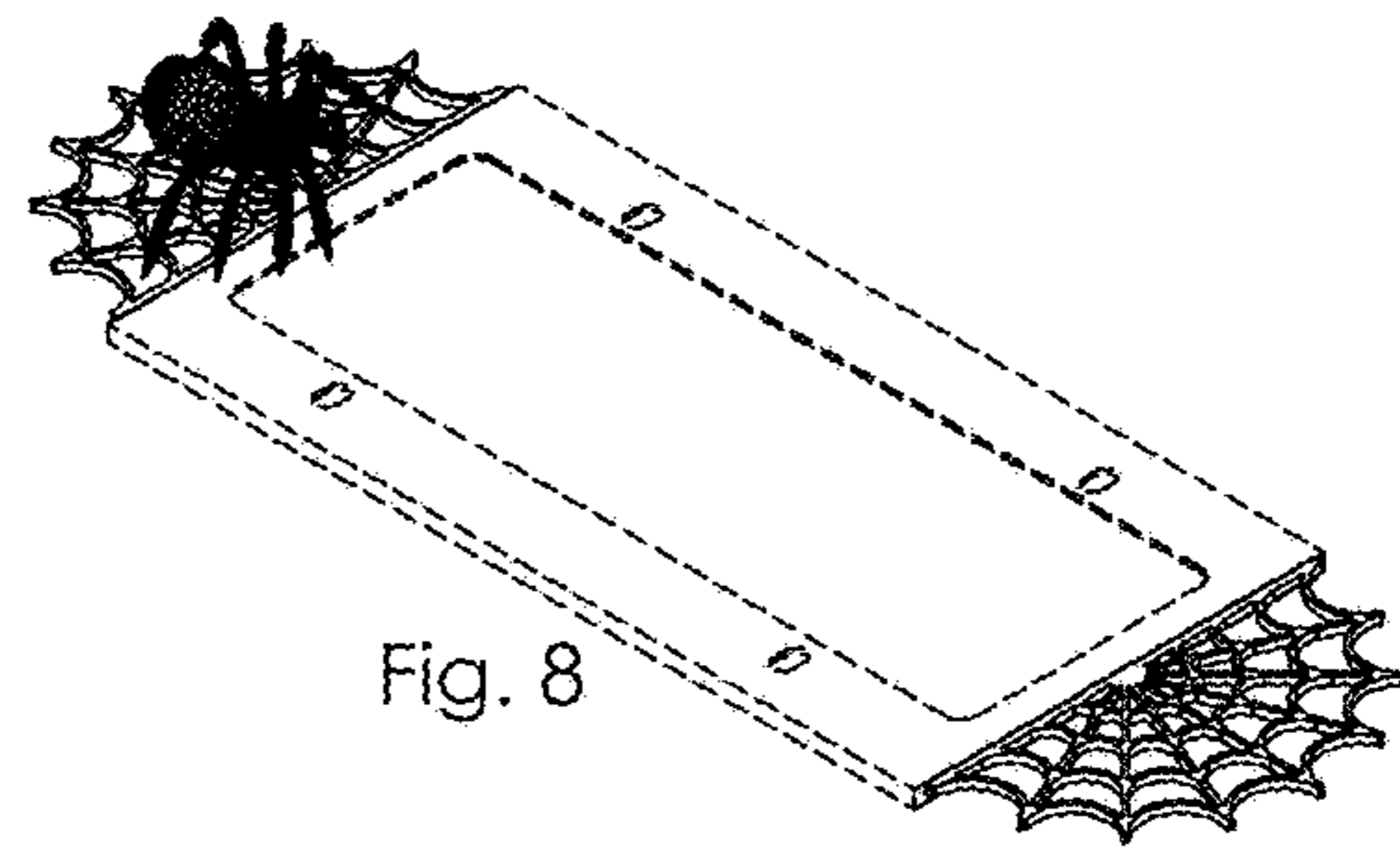


Fig. 8



Fig. 9



Fig. 10

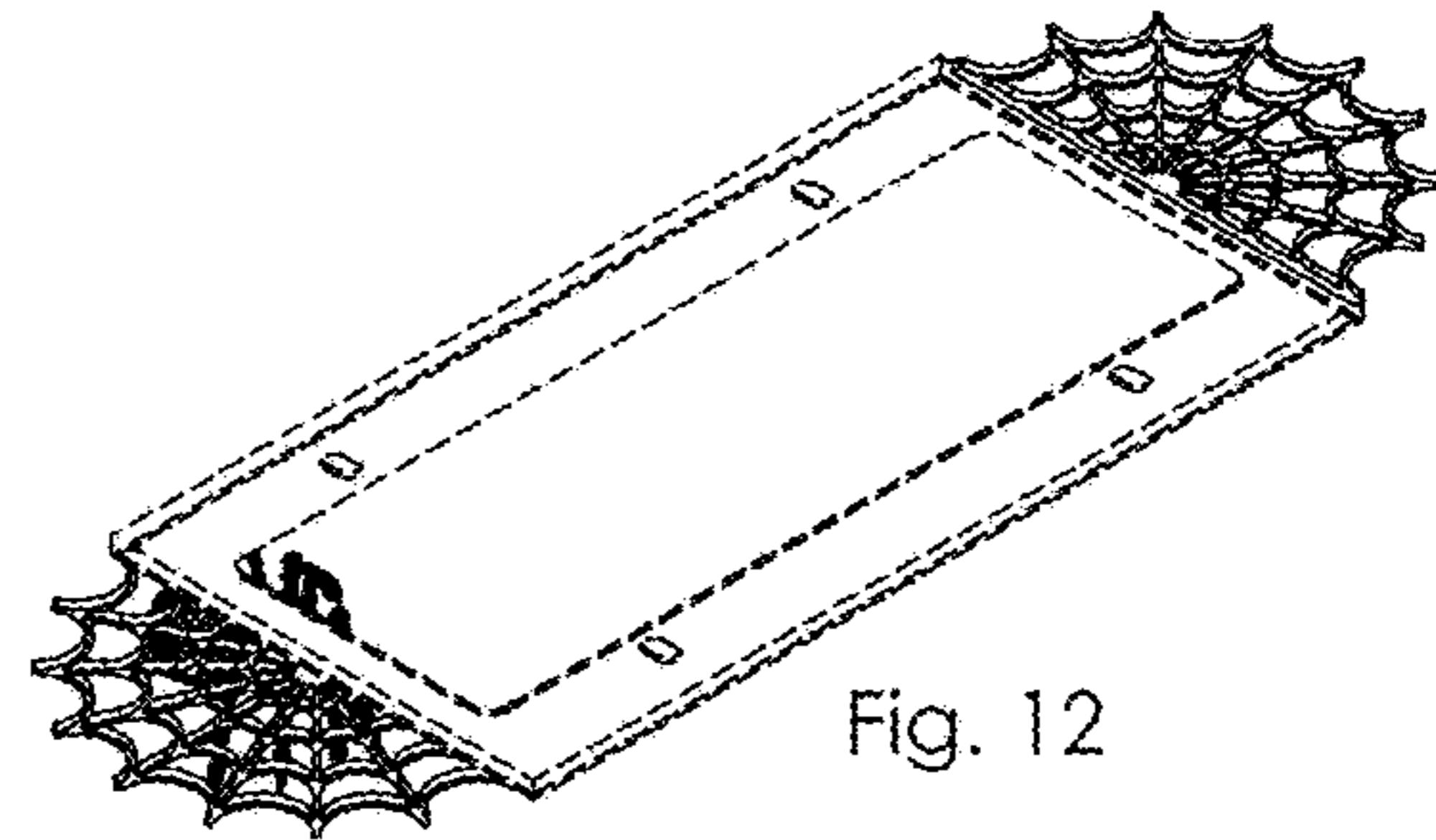


Fig. 12

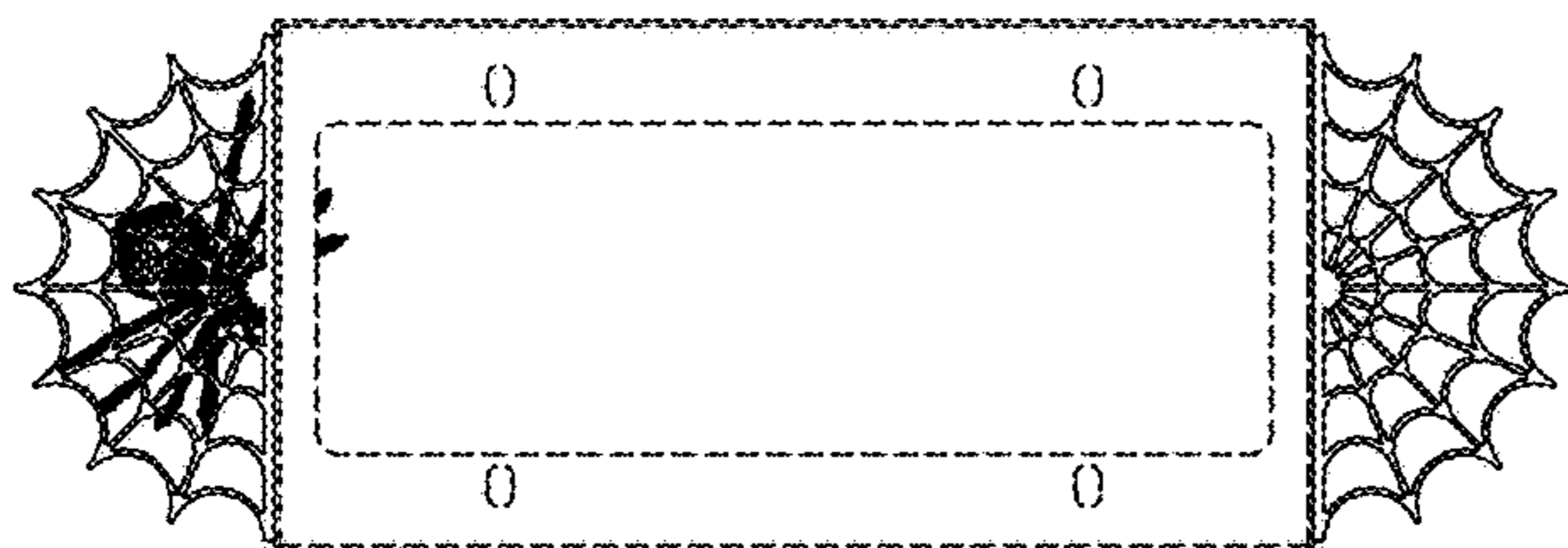


Fig. 11

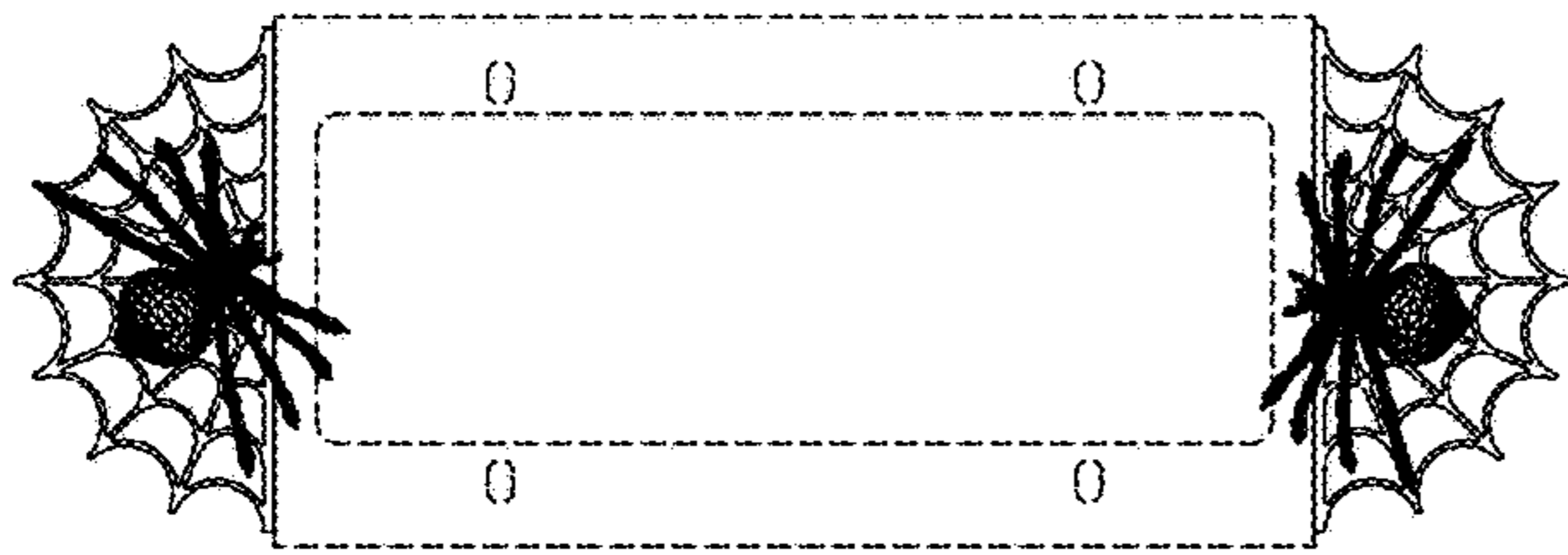


Fig. 13

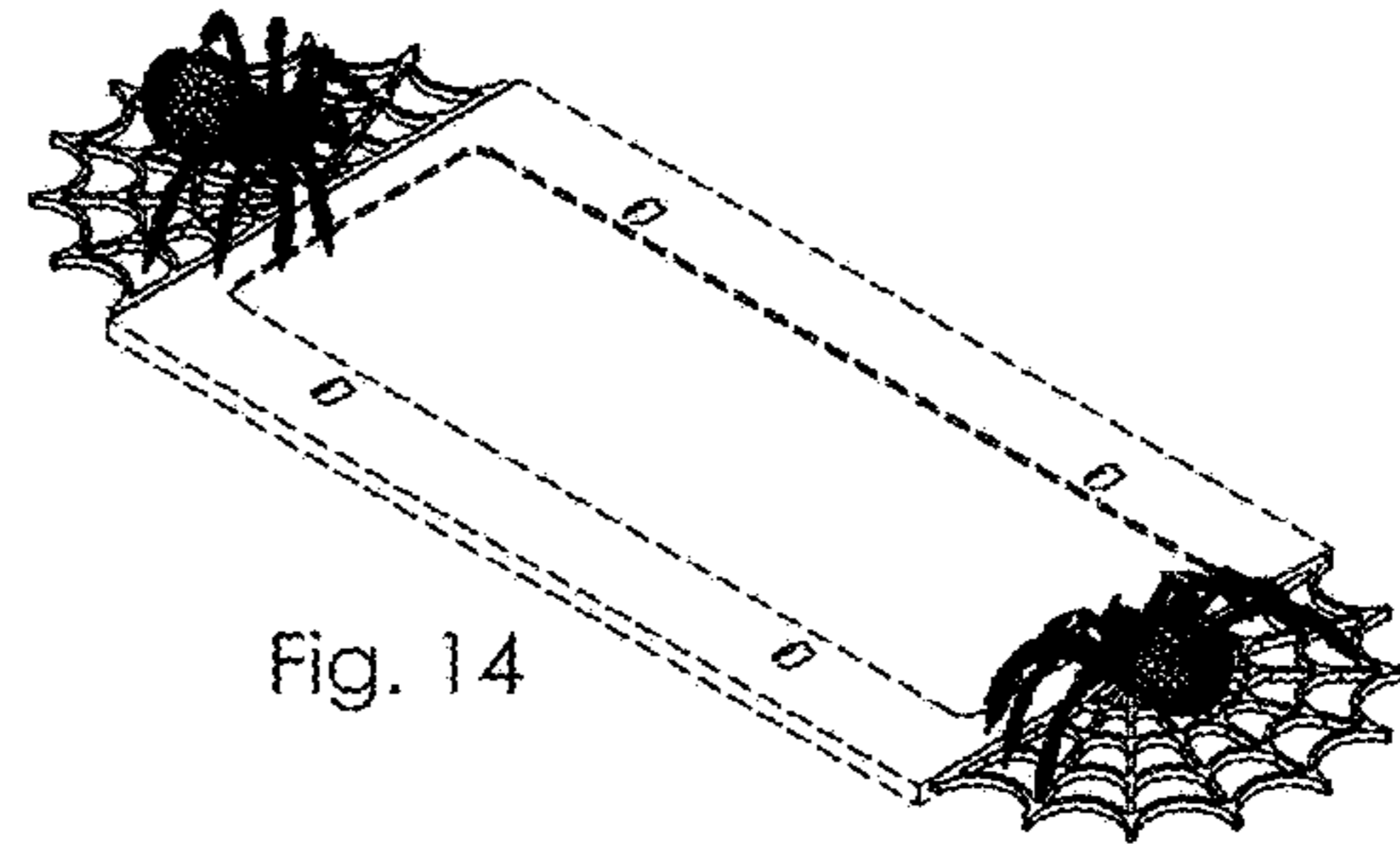


Fig. 14



Fig. 15



Fig. 16

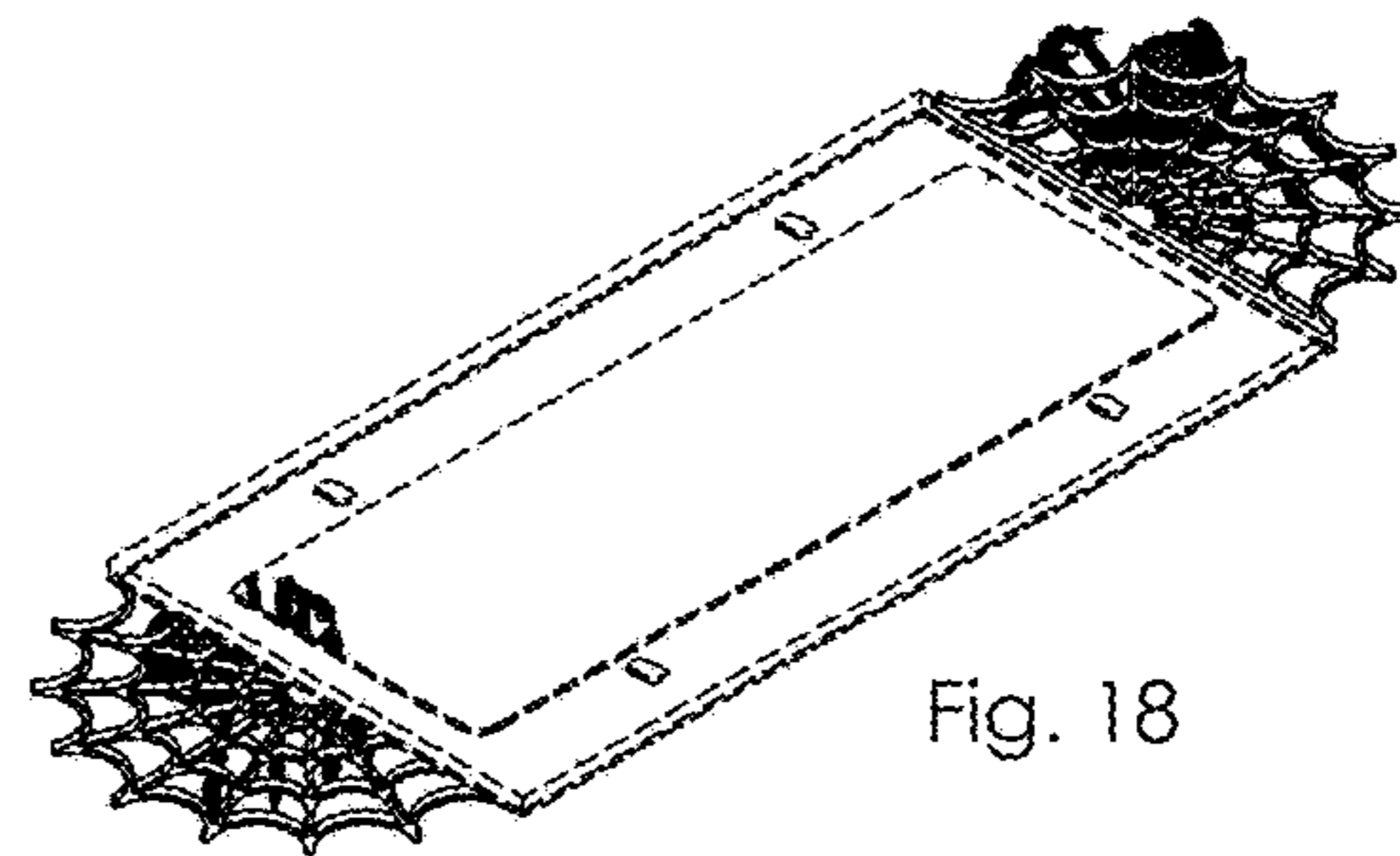


Fig. 18

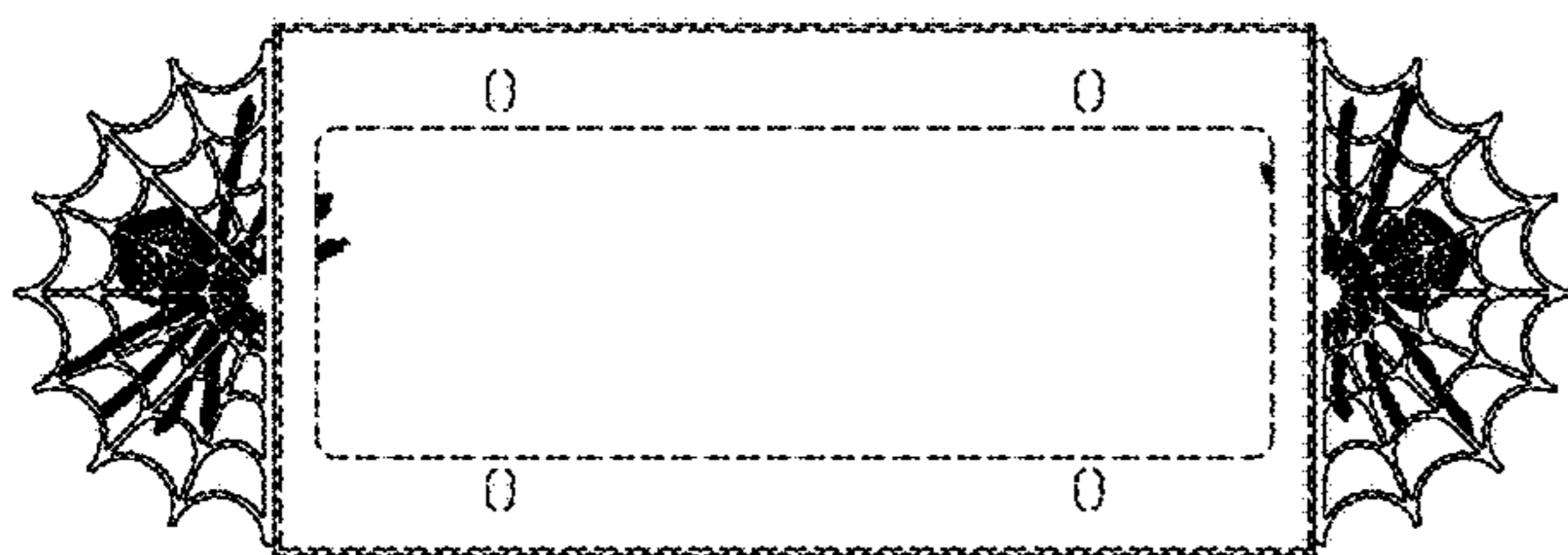


Fig. 17