



US00D824828S

(12) **United States Design Patent** (10) **Patent No.:** **US D824,828 S**
Marksteiner (45) **Date of Patent:** **** Aug. 7, 2018**

(54) **LICENSE PLATE FRAME AND HOLDER**

Primary Examiner — George D. Kirschbaum

(71) Applicant: **EVAMATIC
HANDELSGESELLSCHAFT MBH,**
Bruck an der Leitha (AT)

Assistant Examiner — Natasha Vujcic

(74) *Attorney, Agent, or Firm* — Laurence A. Greenberg;
Werner H. Stemer; Ralph E. Locher

(72) Inventor: **Thomas Marksteiner,** Berg (AT)

(57) **CLAIM**

(73) Assignee: **Evamatic Handelsgesellschaft mbH,**
Bruck an der Leitha (AT)

The ornamental design for a license plate frame and holder,
as shown and described.

(**) Term: **15 Years**

DESCRIPTION

(21) Appl. No.: **29/572,251**

(22) Filed: **Jul. 26, 2016**

(51) **LOC (11) Cl.** **12-16**

(52) **U.S. Cl.**
USPC **D12/193**

(58) **Field of Classification Search**
USPC D12/193; D6/300, 301, 302, 310, 311,
D6/312, 313, 314; D20/13
CPC B60R 13/10; B60R 13/105; B60R 19/24;
B60R 19/52
See application file for complete search history.

FIG. 1 is a front perspective view of the top clip-on portion
of a license plate frame and holder showing my new
invention;

FIG. 2 is a rear elevation view of the top clip-on portion
thereof;

FIG. 3 is a rear perspective view of the top clip-on portion
thereof;

FIG. 4 is a rear perspective view of the bottom clip-on
portion thereof;

FIG. 5 is a front elevation view of the bottom clip-on
portion thereof;

FIG. 6 is a front perspective view of the bottom clip-on
portion thereof;

FIG. 7 is an exploded front perspective view of the license
plate frame and holder thereof;

FIG. 8 is a front elevation view of the license plate frame and
holder thereof;

FIG. 9 is a rear perspective view of the license plate frame
and holder thereof;

FIG. 10 is a front perspective view of the license plate frame
and holder thereof;

FIG. 11 is a front perspective view of the assembled license
plate frame and holder thereof; and,

FIG. 12 is a front perspective view of the assembled license
plate frame and holder with alternate embodiment of the top
clip-on portion thereof.

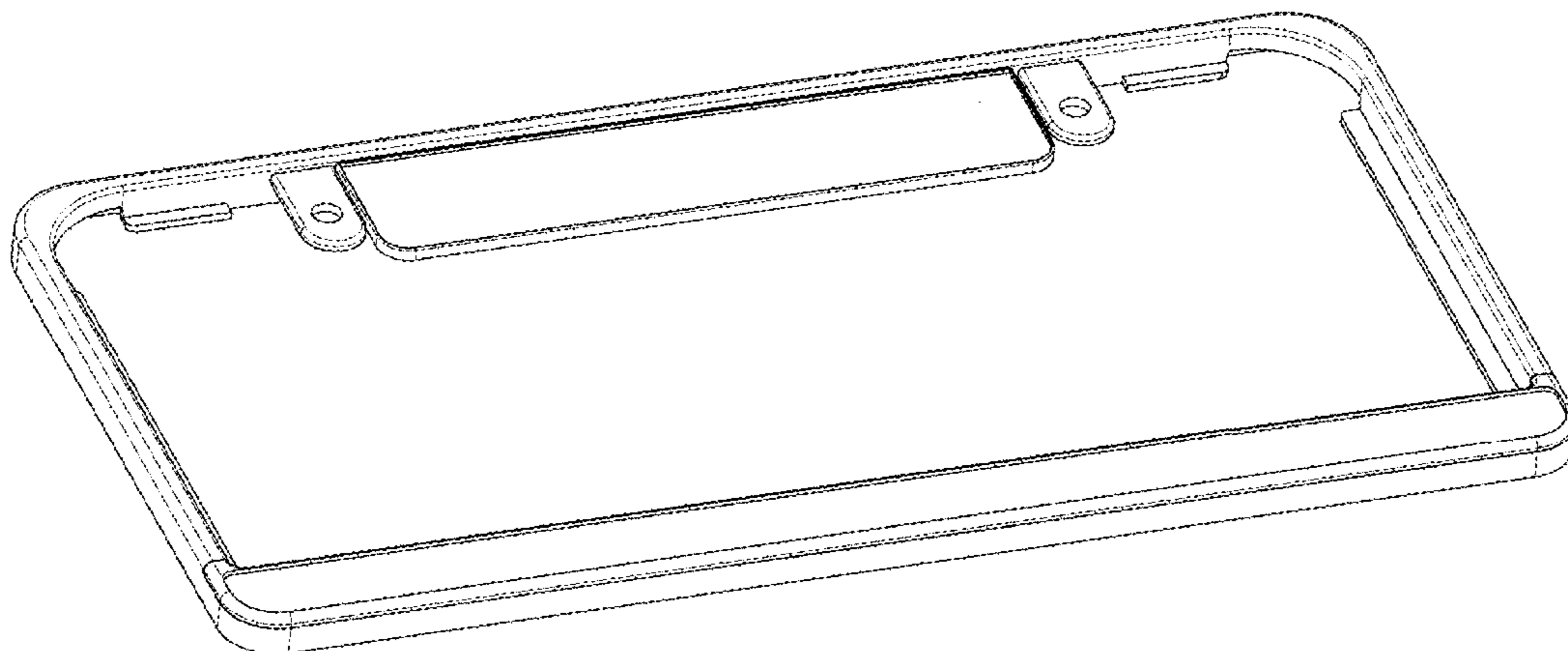
(56) **References Cited**

U.S. PATENT DOCUMENTS

D342,929 S *	1/1994	Spencer	D12/193
D382,241 S *	8/1997	Moureaux	D12/193
D413,847 S *	9/1999	Hartmann	D12/193
D464,299 S *	10/2002	Ohm	D12/193
D516,483 S *	3/2006	Eidsmore	D12/193
D602,831 S *	10/2009	Spencer	D12/193
D644,582 S *	9/2011	Palmer	D12/193
D651,547 S *	1/2012	Spencer	D12/193
D676,792 S *	2/2013	Benjamini	D12/193
D718,690 S *	12/2014	Marksteiner	D12/193
2011/0289806 A1 *	12/2011	Kuo	B60R 13/105 40/204

* cited by examiner

1 Claim, 8 Drawing Sheets



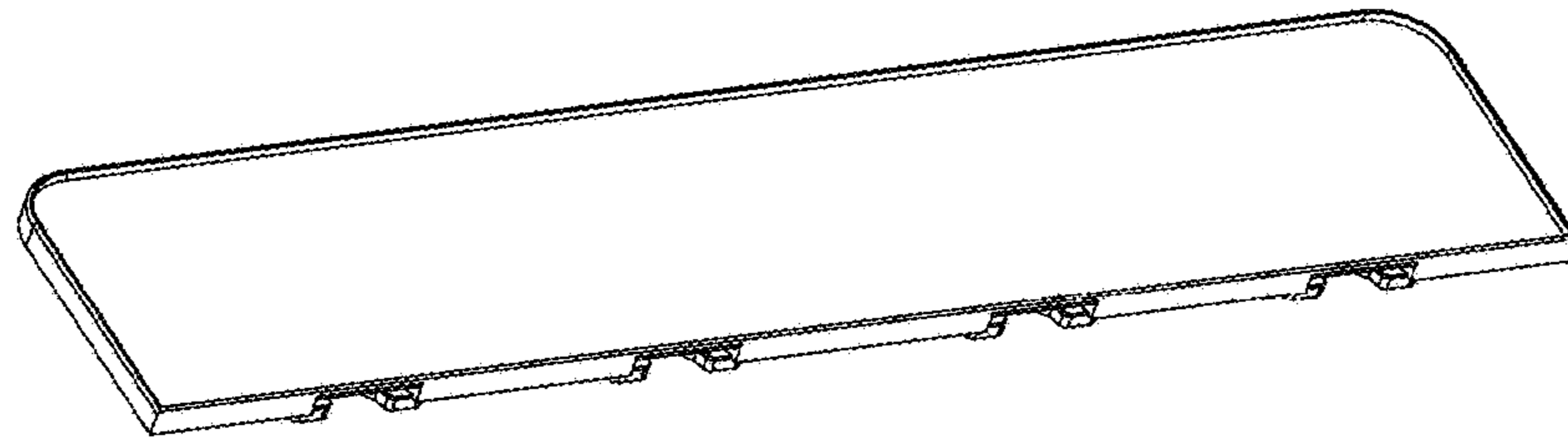


FIG. 1

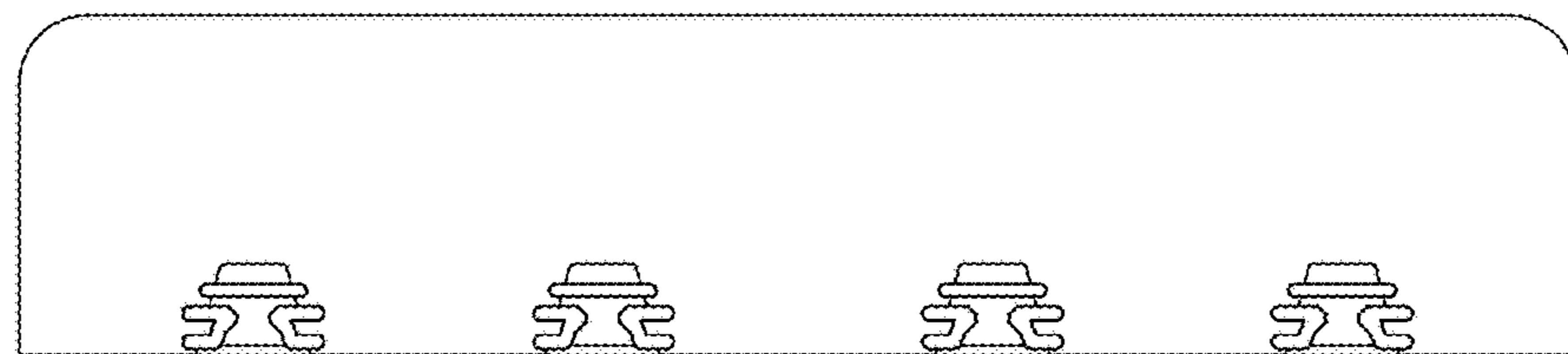


FIG. 2

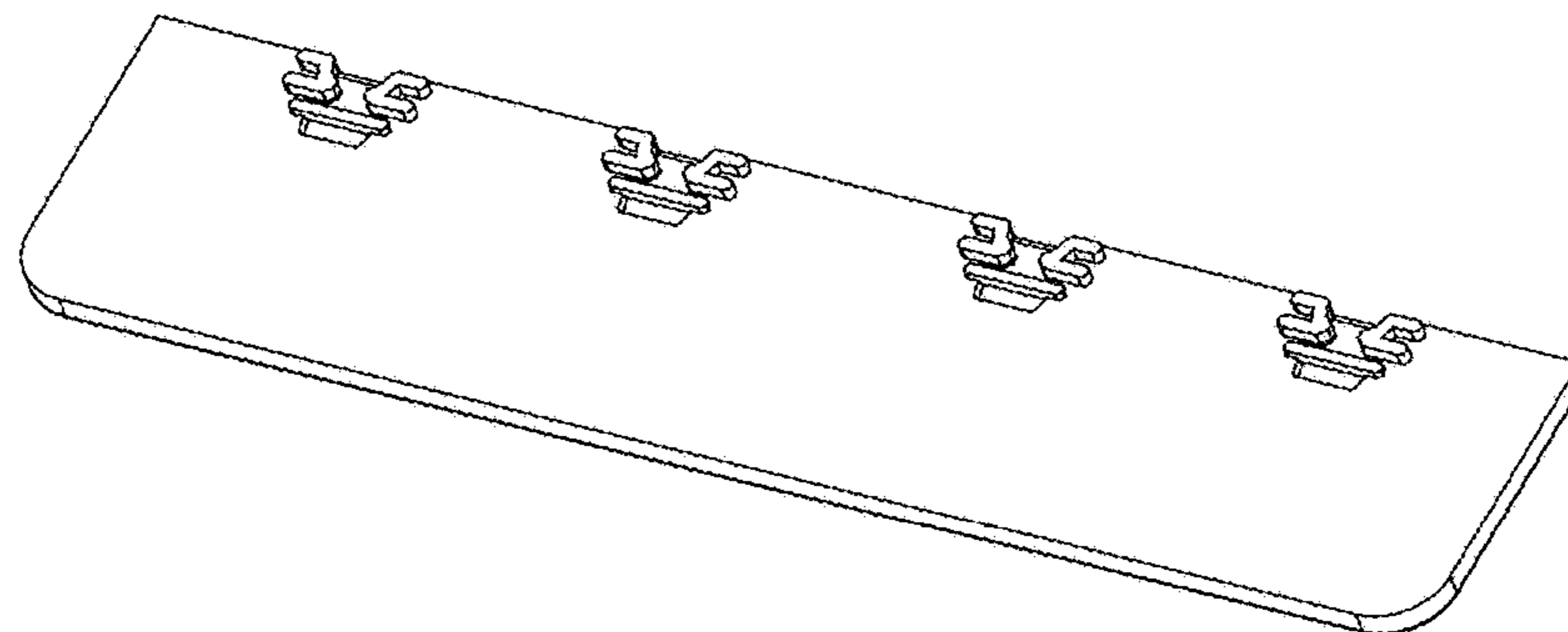


FIG. 3

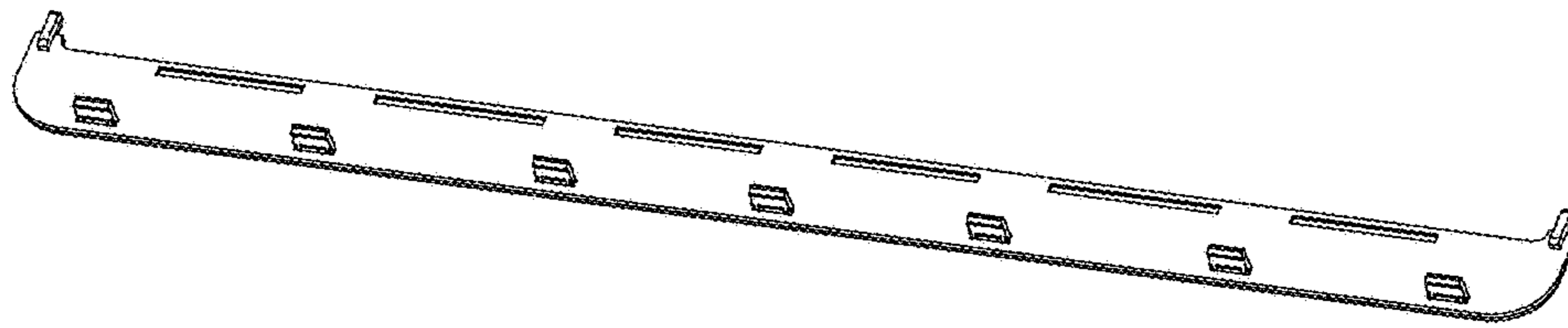


FIG. 4

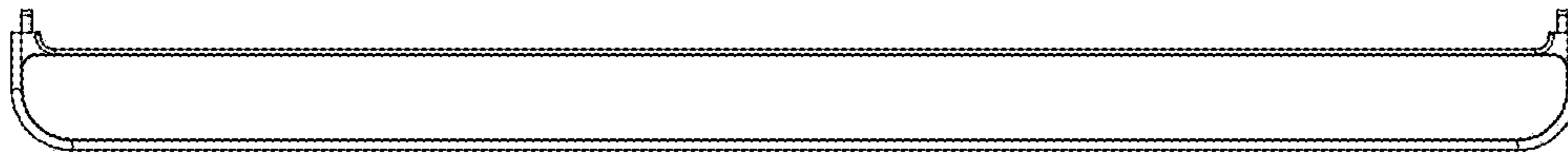


FIG. 5

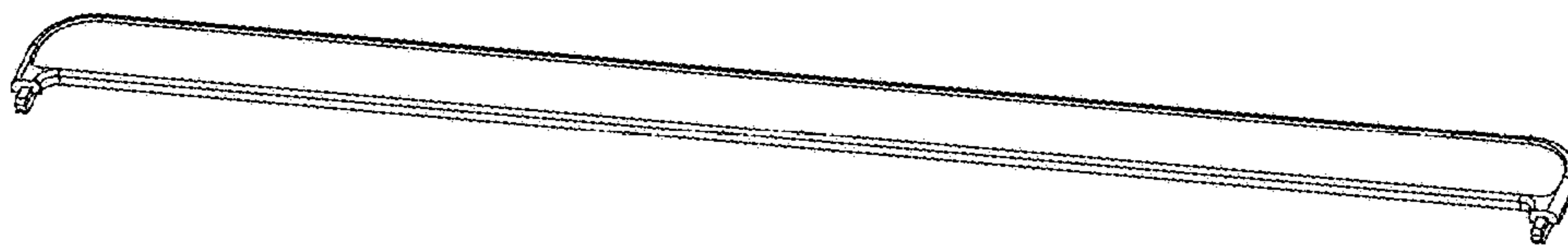


FIG. 6

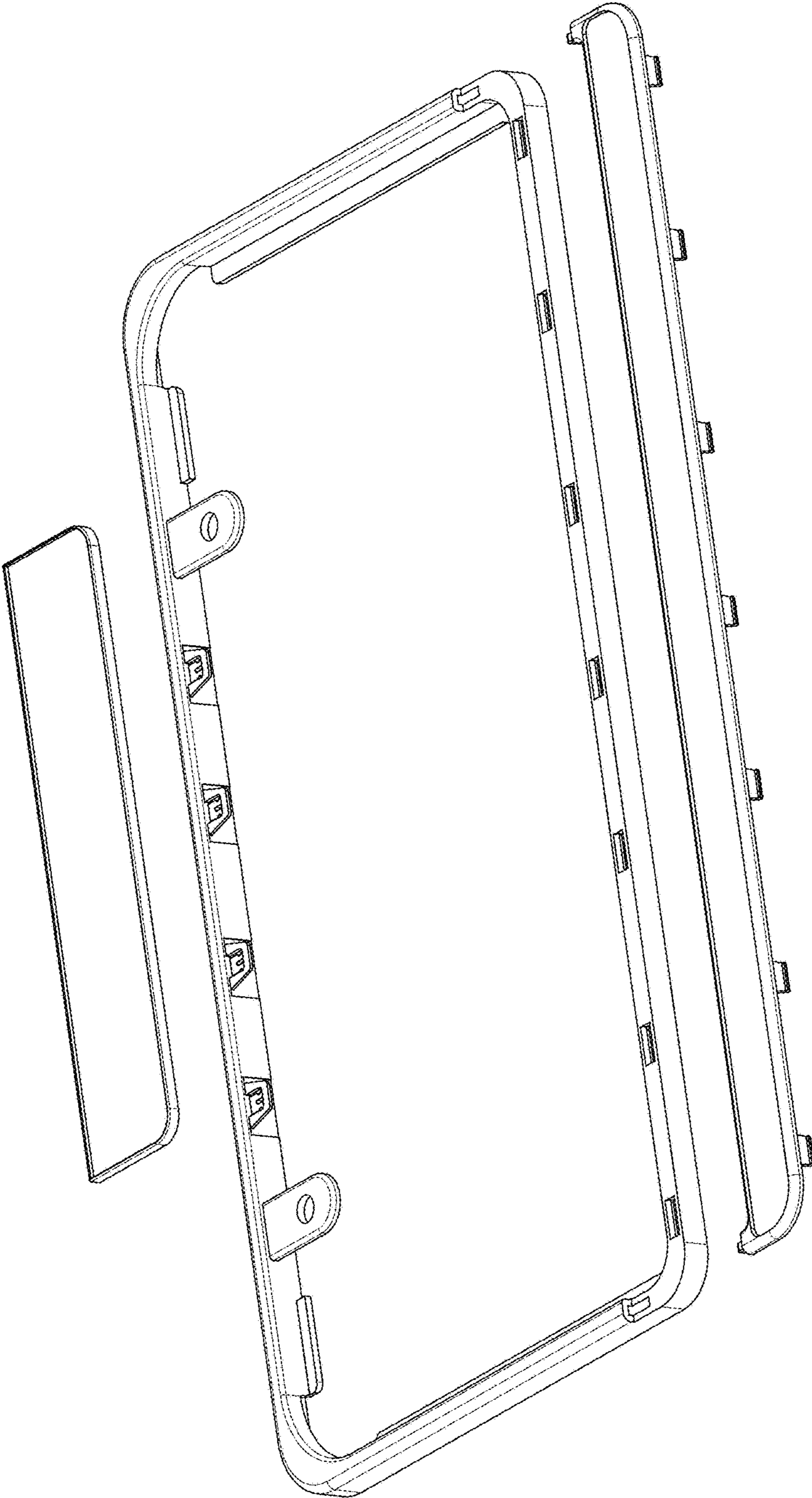


FIG. 7

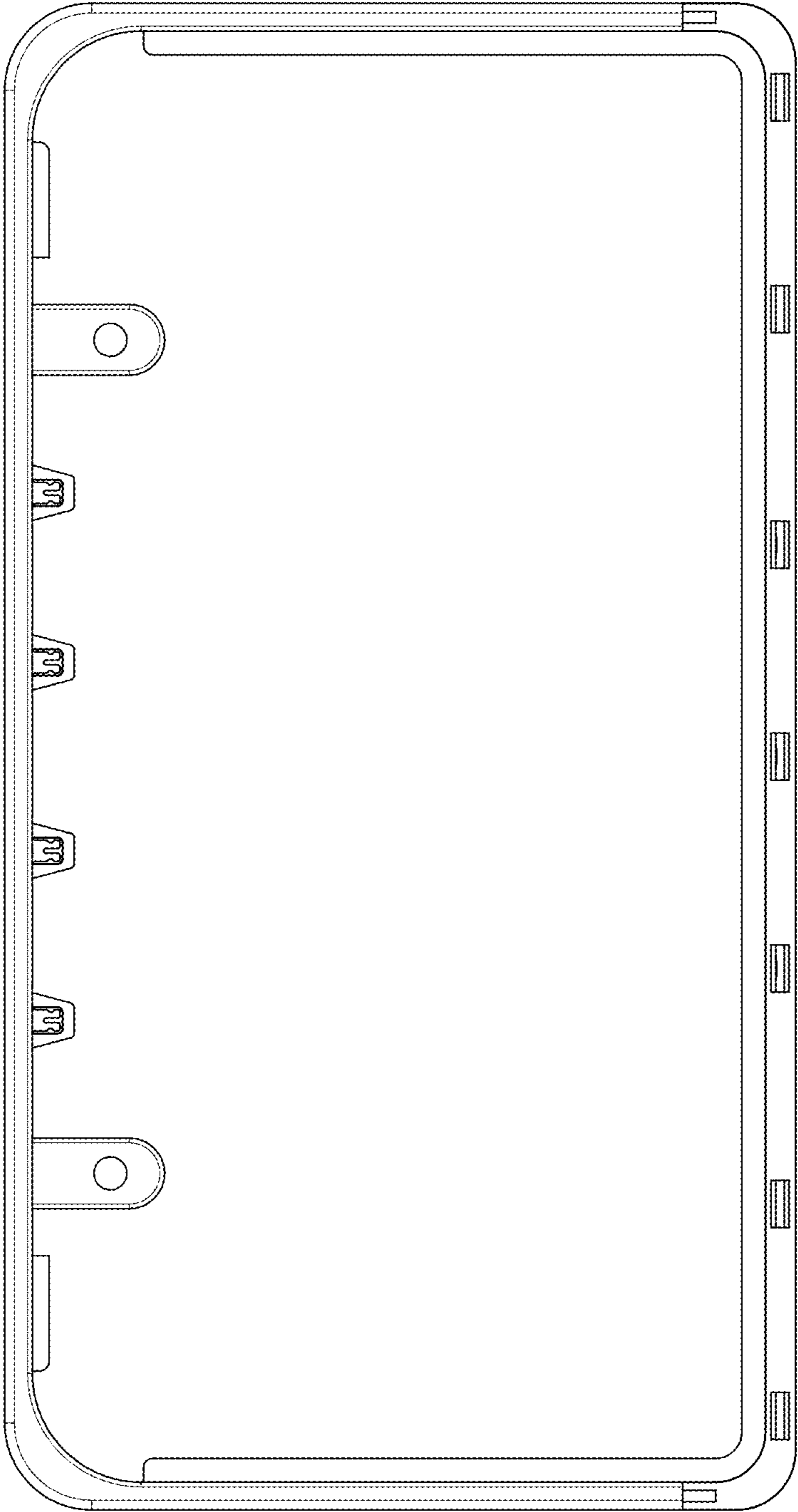


FIG. 8

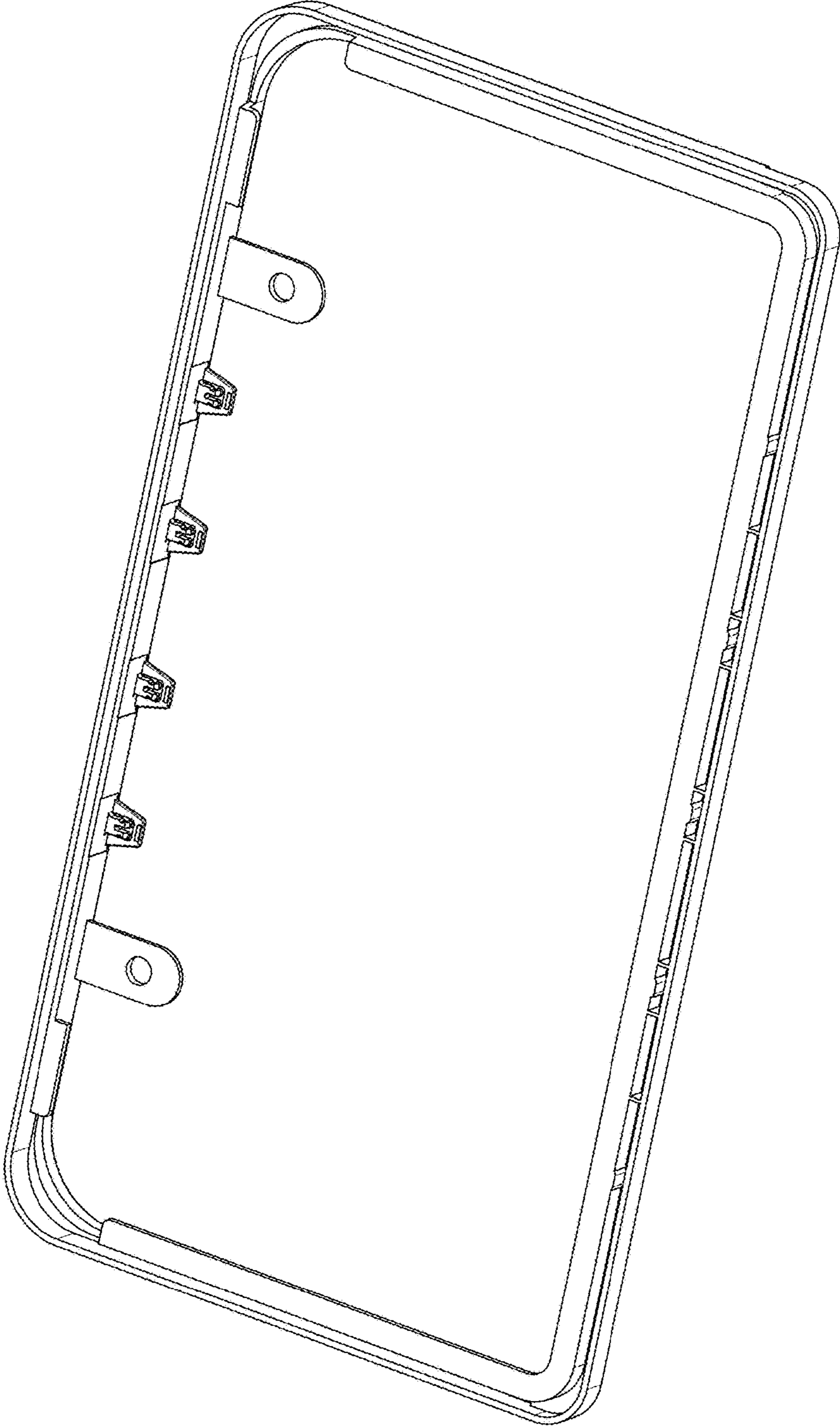


FIG. 9

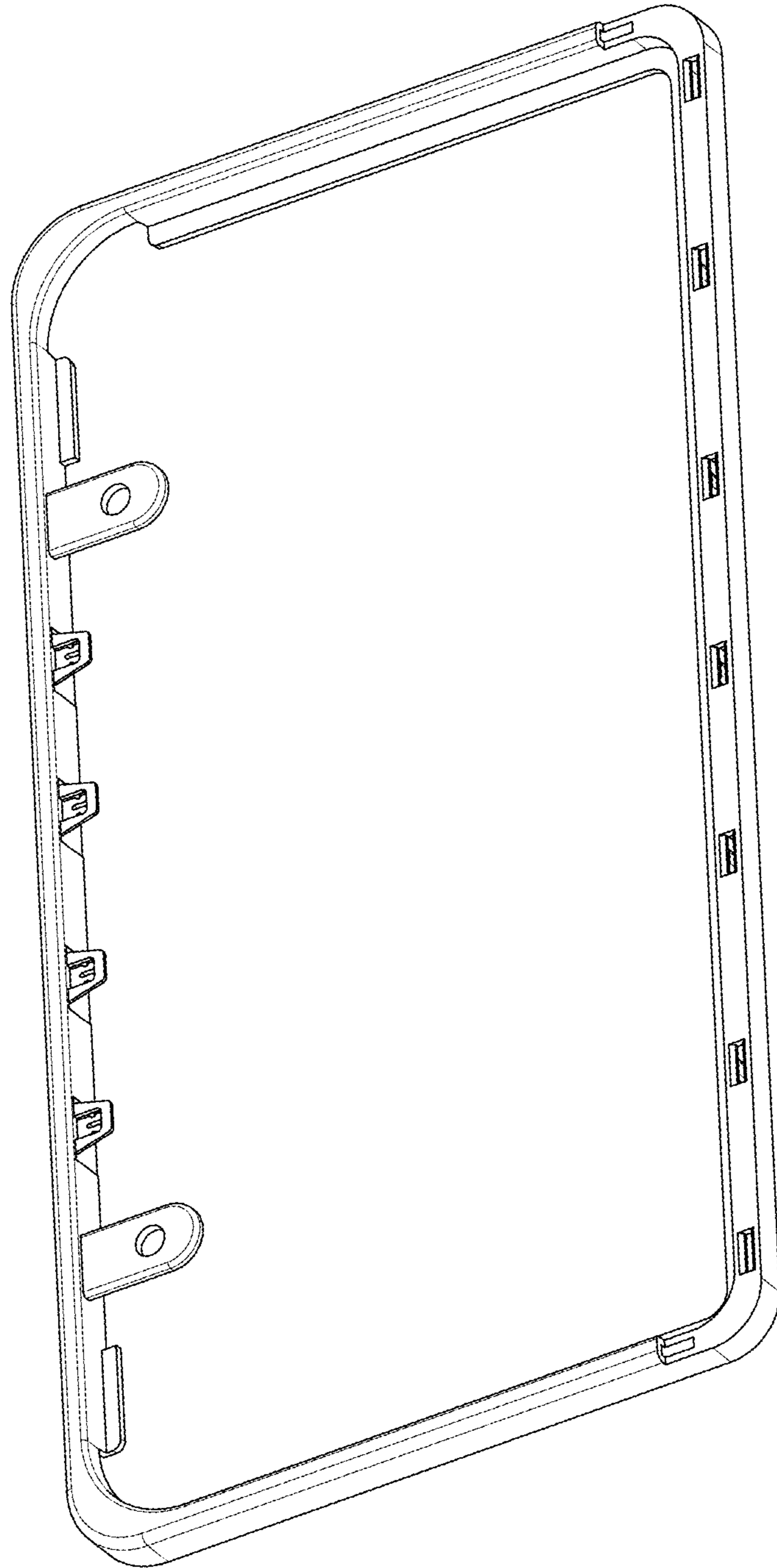


FIG. 10

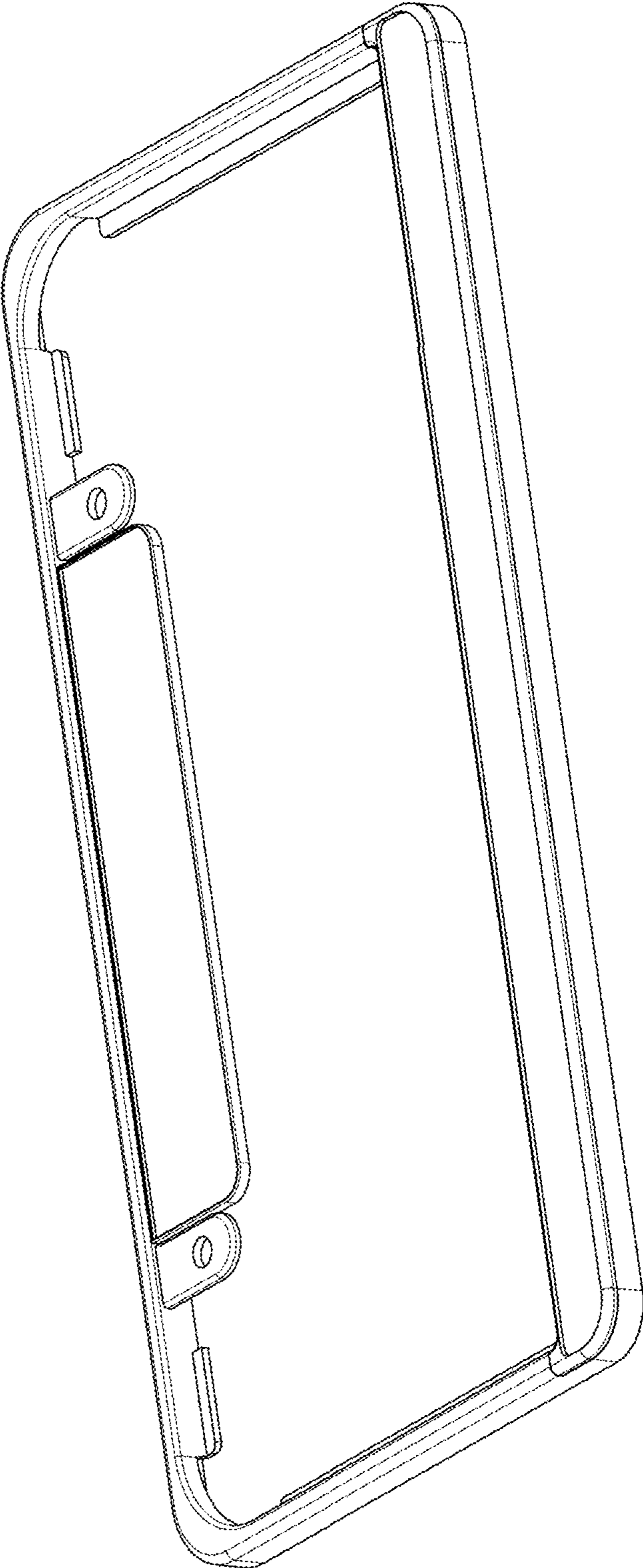


FIG. 11

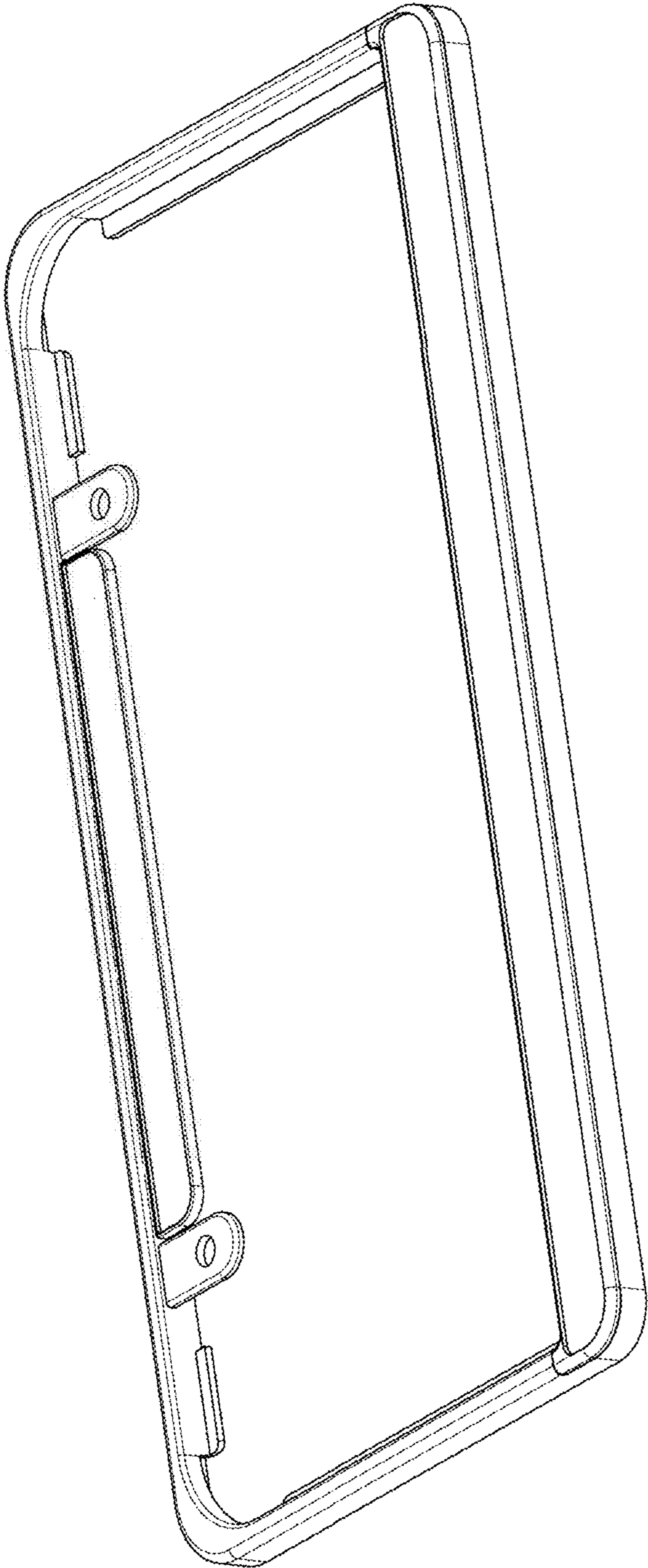


FIG. 12