



US00D824826S

(12) **United States Design Patent**
Cadalora et al.

(10) **Patent No.:** **US D824,826 S**
(45) **Date of Patent:** **** Aug. 7, 2018**

(54) **CONTROL INTERFACE FOR A VEHICLE STEERING WHEEL**

D619,516 S * 7/2010 Niebuhr D12/176
D679,637 S * 4/2013 Mihashi D12/177
8,465,048 B2 * 6/2013 Hayashi B60R 21/2155

(71) Applicant: **CNH Industrial America LLC**, New Holland, PA (US)

D710,271 S * 8/2014 Norman D12/176
8,820,781 B2 * 9/2014 Sato B60R 21/203

(72) Inventors: **Alessio Cadalora**, Modena (IT);
Armando Gabriele, Corigliano Calabro (IT);
Simone Molesini, Carpi (IT);
Tiziano Salvini, Tribiano Mi (IT)

D727,226 S * 4/2015 Mayerle D12/176
D763,749 S * 8/2016 Hamanaga D12/177
D772,769 S * 11/2016 Hamanaga D12/176

(Continued)

(73) Assignee: **CNH Industrial America LLC**, New Holland, PA (US)

OTHER PUBLICATIONS

U.S. Appl. No. 29/553,992, filed Feb. 5, 2016, Alessio Cadalora.

(**) Term: **15 Years**

(Continued)

(21) Appl. No.: **29/553,999**

Primary Examiner — Robert M. Spear

(22) Filed: **Feb. 5, 2016**

(74) *Attorney, Agent, or Firm* — Rickard K. DeMille;
Rebecca L. Henkel

(30) **Foreign Application Priority Data**

Aug. 6, 2015 (EM) 002750646

(51) **LOC (11) Cl.** **12-16**

(52) **U.S. Cl.**
USPC **D12/177**

(58) **Field of Classification Search**
USPC D12/174, 175, 176, 177, 192; D14/447;
D21/694

CPC B60K 2350/928; B60R 21/203; B60R
16/027; B62D 1/046

See application file for complete search history.

(56) **References Cited**

U.S. PATENT DOCUMENTS

4,792,783 A * 12/1988 Burgess B60K 35/00
307/10.1
6,119,060 A * 9/2000 Takayama B60K 35/00
307/9.1
6,253,131 B1 * 6/2001 Quigley B60R 16/027
340/461
D521,426 S * 5/2006 Hoffmann D12/176

(57) **CLAIM**

The ornamental design for a control interface for a vehicle steering wheel, substantially as shown and described.

DESCRIPTION

This application claims priority to and the benefit of Office for Harmonization in the Internal Market (OHIM) application number EM 002750646, filed Aug. 6, 2015.

FIG. 1 is a perspective view of a control interface for a vehicle steering wheel;

FIG. 2 is a front view of the control interface;

FIG. 3 is a left side view of the control interface;

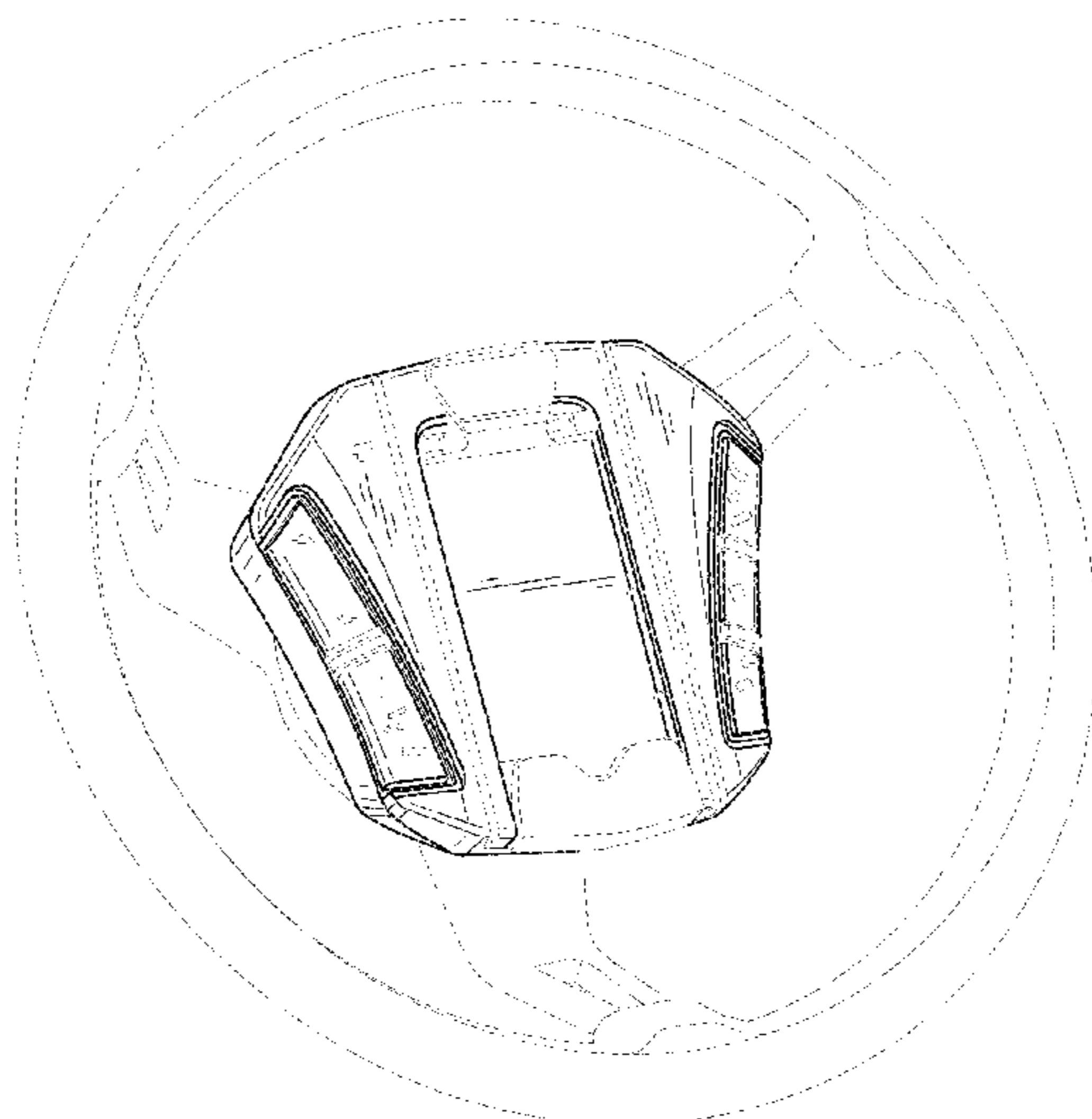
FIG. 4 is a right side view of the control interface;

FIG. 5 is a top view of the control interface; and,

FIG. 6 is a bottom view of the control interface.

In the drawings, the broken lines depict environmental subject matter only and form no part of the claimed design.

1 Claim, 4 Drawing Sheets



(56)

References Cited

U.S. PATENT DOCUMENTS

9,600,097 B2 * 3/2017 Torii G06F 3/03547
D797,021 S * 9/2017 Chergosky D12/176
9,821,726 B2 * 11/2017 Nash B60K 35/00
9,855,909 B2 * 1/2018 Ko B60R 21/2035
2016/0001807 A1 * 1/2016 Hans B62D 1/046
345/173
2017/0253192 A1 * 9/2017 Faist B60R 11/0264

OTHER PUBLICATIONS

U.S. Appl. No. 29/553,996, filed Feb. 5, 2016, Alessio Cadalora.
U.S. Appl. No. 29/554,001, filed Feb. 5, 2016, Alessio Cadalora.
U.S. Appl. No. 29/554,003, filed Feb. 5, 2016, Alessio Cadalora.
U.S. Appl. No. 29/554,004, filed Feb. 5, 2016, Alessio Cadalora.

* cited by examiner

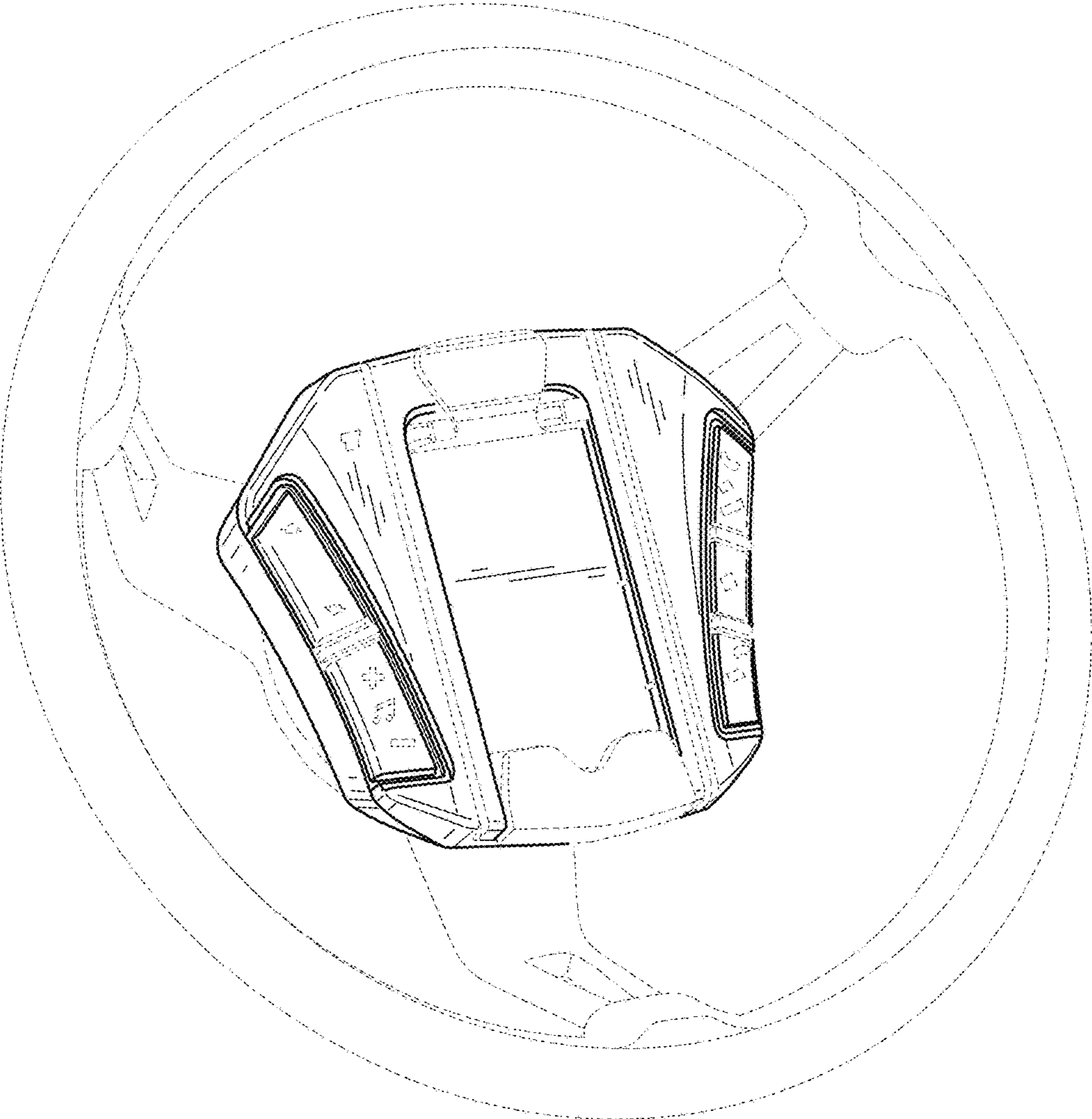


FIG. 1

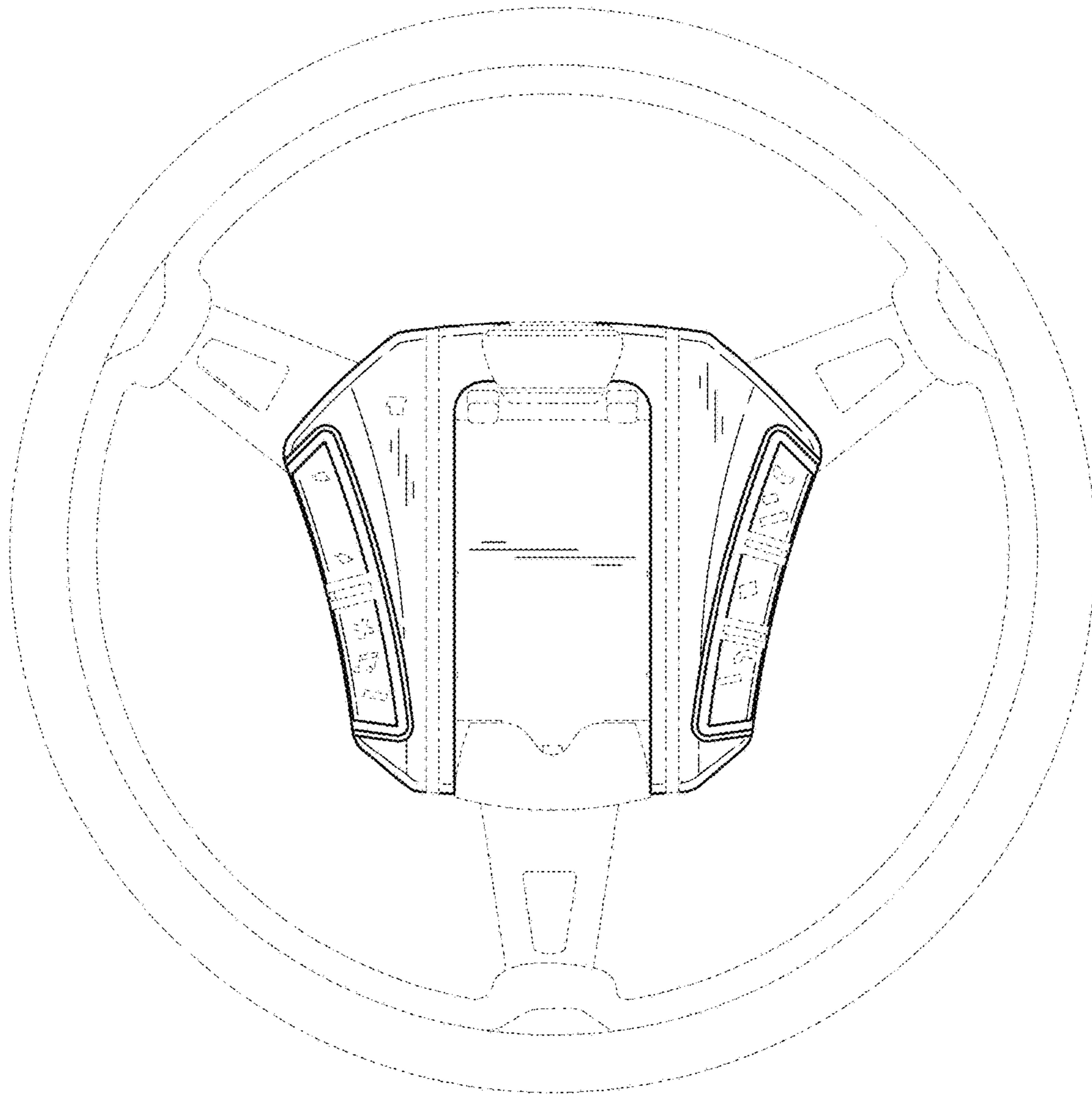


FIG. 2

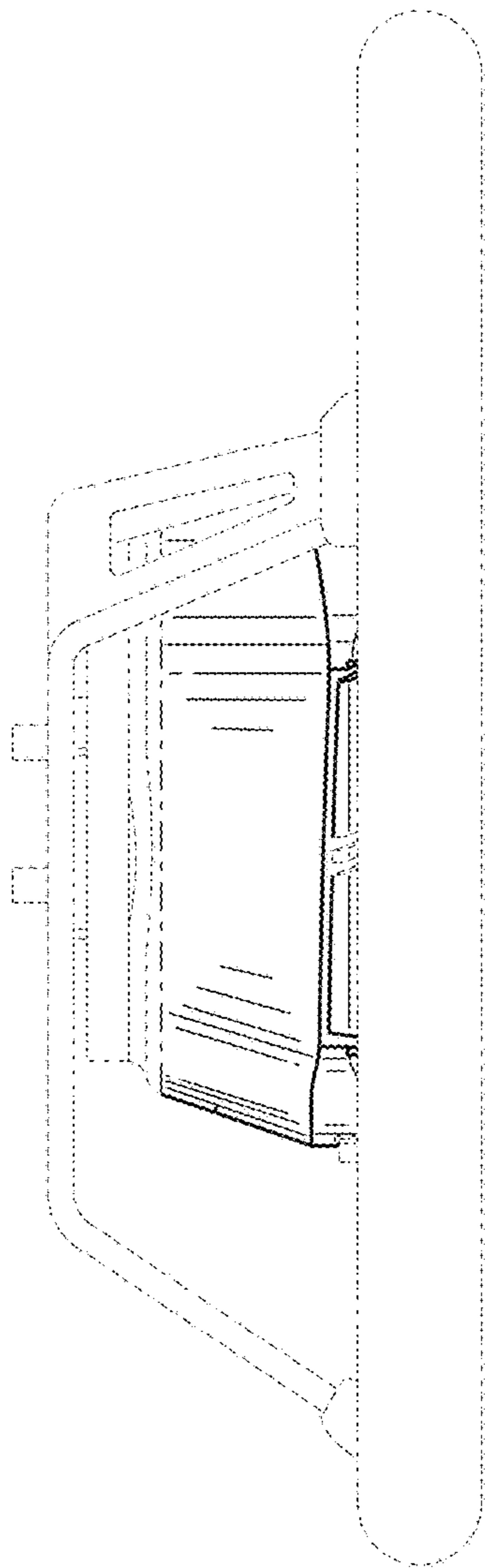


FIG. 3

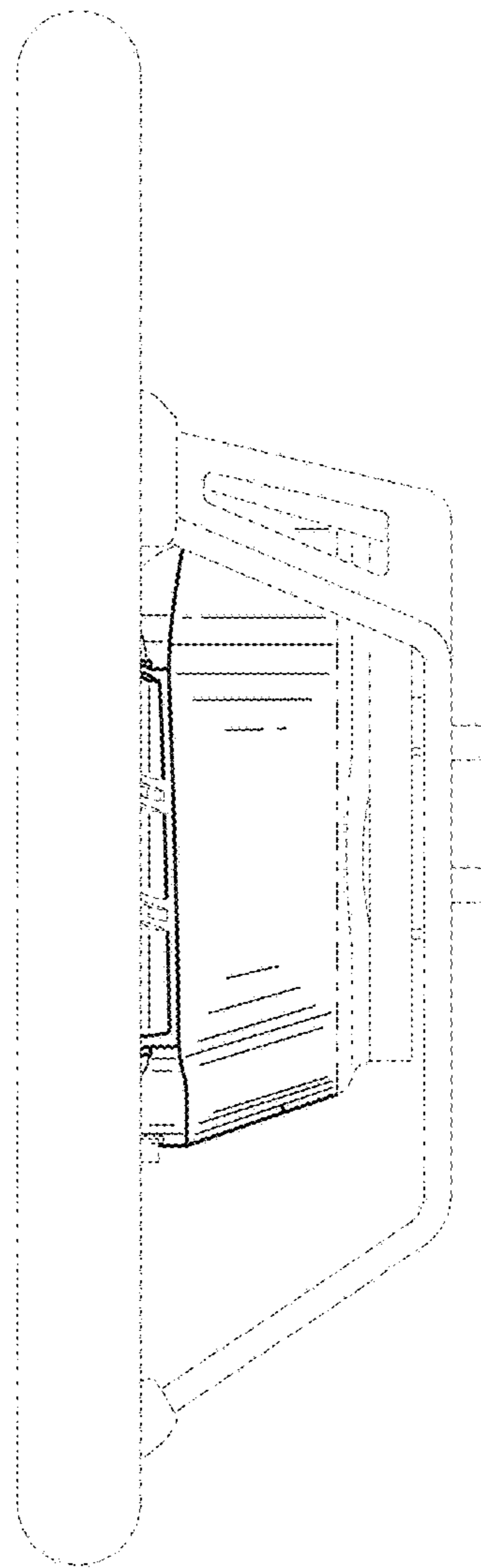


FIG. 4

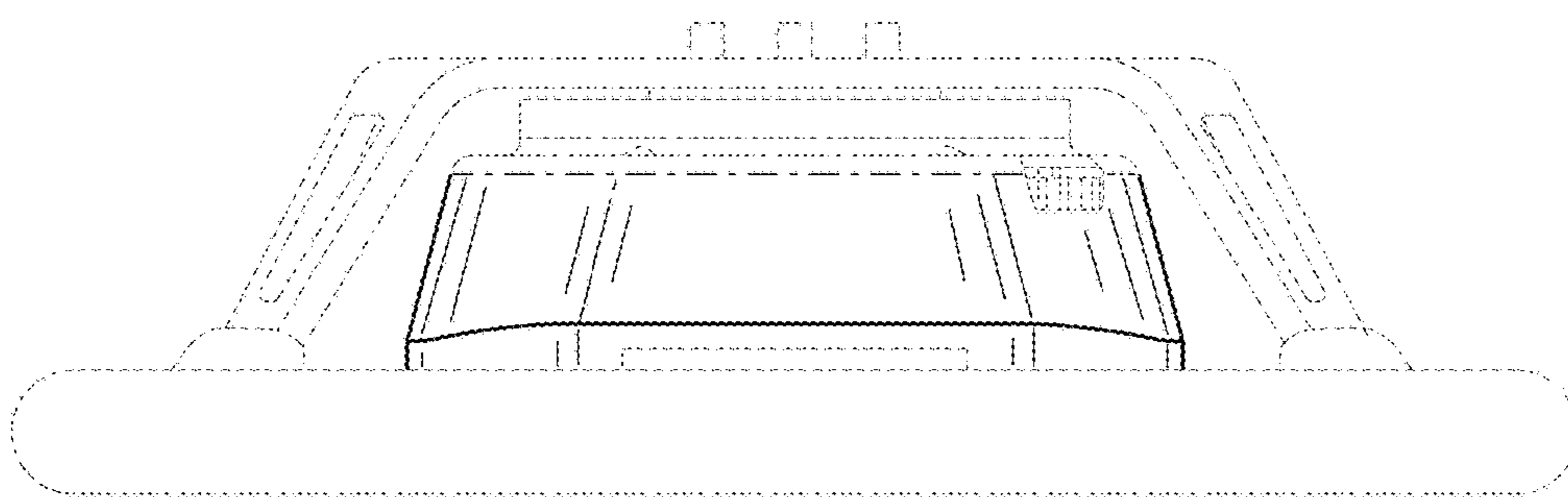


FIG. 5

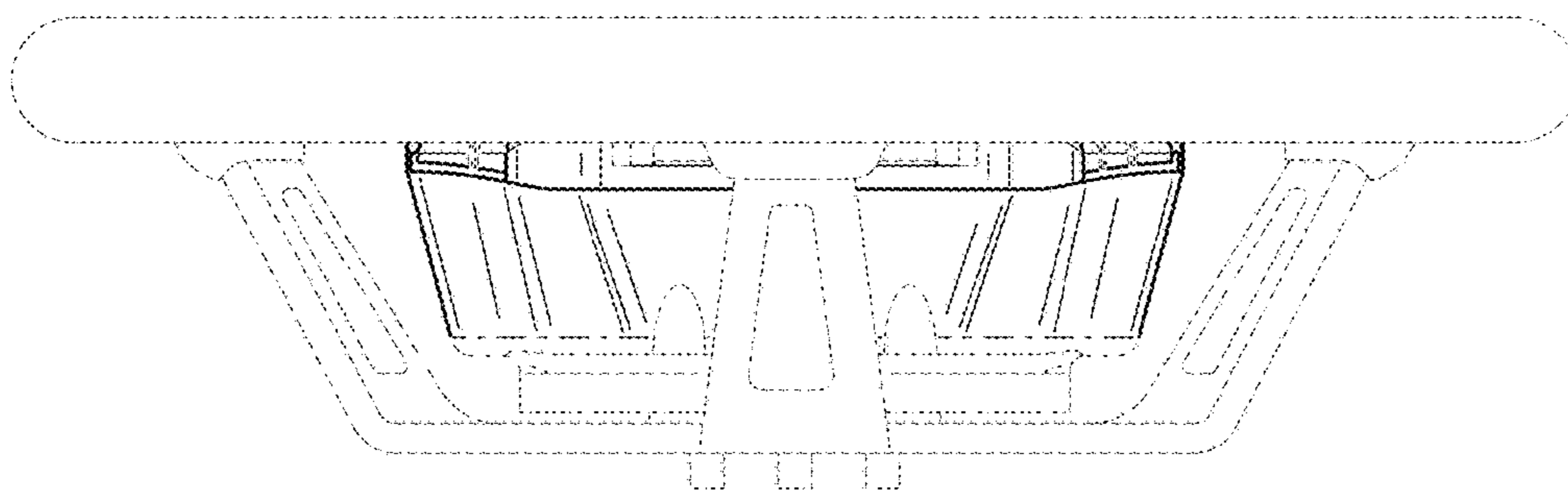


FIG. 6