

US00D824824S

(12) **United States Design Patent** (10) **Patent No.:** **US D824,824 S**
Kim (45) **Date of Patent:** **** Aug. 7, 2018**

(54) **VEHICLE HOOD**
(71) Applicant: **GM GLOBAL TECHNOLOGY OPERATIONS LLC**, Detroit, MI (US)
(72) Inventor: **Young Sun Kim**, Canton, MI (US)
(73) Assignee: **GM Global Technology Operations LLC**, Detroit, MI (US)
(**) Term: **15 Years**
(21) Appl. No.: **29/592,046**
(22) Filed: **Jan. 26, 2017**
(51) **LOC (11) Cl.** **12-08**
(52) **U.S. Cl.**
USPC **D12/173**
(58) **Field of Classification Search**
USPC D12/92, 163, 169, 173
CPC . B60J 7/00; B60R 21/34; B62D 25/08; B62D 25/10; B60K 28/10; B60Q 1/00
See application file for complete search history.

D611,387 S 3/2010 Thompson et al.
D611,879 S 3/2010 Kim et al.
D612,297 S 3/2010 Peters et al.
D613,645 S 4/2010 Song et al.
D615,458 S 5/2010 Thompson et al.
D618,595 S 6/2010 Ware et al.
D623,090 S 9/2010 Cox et al.
D627,262 S 11/2010 Ikeda et al.
D635,488 S 4/2011 Phipps
D640,959 S * 7/2011 Furst D12/173
D644,147 S 8/2011 Suh et al.
D644,567 S 9/2011 Kozub
D657,718 S 4/2012 Zipfel et al.
D659,052 S 5/2012 Ware et al.
D659,053 S 5/2012 Ware et al.
D666,540 S * 9/2012 Karras D12/173
D668,182 S 10/2012 Franco et al.
D668,183 S 10/2012 Smart
D678,820 S 3/2013 Son et al.
D678,821 S 3/2013 Ikeda et al.
D680,909 S 4/2013 Munson et al.
D680,910 S 4/2013 David
D684,899 S 6/2013 Baker

(Continued)

Primary Examiner — Susan Bennett Hattan
Assistant Examiner — Suzanne E Tisdell
(74) *Attorney, Agent, or Firm* — Reising Ethington P.C.

(56) **References Cited**
U.S. PATENT DOCUMENTS

D570,742 S 6/2008 Takagi et al.
D592,105 S 5/2009 Dean et al.
D597,447 S 8/2009 Folden
D600,595 S 9/2009 Nakamura et al.
D601,925 S 10/2009 O'Donnell
D603,755 S 11/2009 Peters
D604,203 S 11/2009 O'Donnell
D605,082 S 12/2009 Munson
D605,083 S 12/2009 Manoogian, II et al.
D605,977 S 12/2009 Zipfel et al.
D605,978 S 12/2009 Wolff et al.
D608,249 S 1/2010 Peters
D608,690 S 1/2010 Folden et al.
D608,691 S 1/2010 Zak, Jr. et al.
D609,608 S 2/2010 Boniface et al.

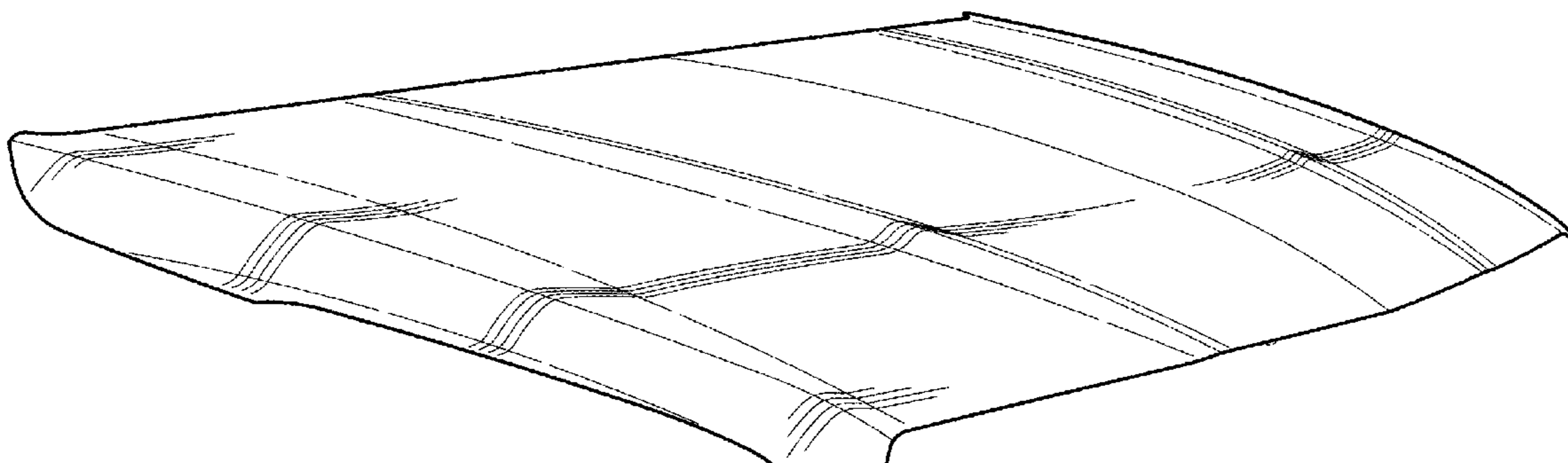
(57) **CLAIM**

The ornamental design for a vehicle hood, as shown and described.

DESCRIPTION

FIG. 1 is a perspective view of the vehicle hood;
FIG. 2 is a front view thereof;
FIG. 3 is a left side view thereof (where the right side view is a mirror image of the left side view); and,
FIG. 4 is a top view thereof.
Broken lines included in the figures depict environmental subject matter that forms no part of the claimed design.

1 Claim, 2 Drawing Sheets



(56)

References Cited

U.S. PATENT DOCUMENTS

D686,536 S	7/2013	McCabe et al.		D749,027 S	2/2016	McMahan et al.	
D692,798 S	11/2013	Thurber		D749,246 S	2/2016	Thole et al.	
D692,799 S	11/2013	Smith et al.		D749,249 S	2/2016	Thole et al.	
D696,157 S	12/2013	Loeb		D749,250 S	2/2016	Thole et al.	
D699,629 S	2/2014	Ikeda et al.		D749,985 S	2/2016	Kozub et al.	
D700,871 S	3/2014	O'Donnell et al.		D749,997 S	2/2016	McMahan et al.	
D703,103 S	4/2014	Lee		D750,001 S	2/2016	Thole et al.	
D704,103 S	5/2014	Mack et al.		D753,032 S	4/2016	Smith et al.	
D705,132 S	5/2014	Ware et al.		D753,033 S	4/2016	Thole et al.	
D705,699 S	5/2014	Ware et al.		D753,034 S	4/2016	Thole et al.	
D713,298 S	9/2014	Dyson		D753,035 S	4/2016	Boniface et al.	
D713,764 S	9/2014	Ferlazzo et al.		D753,559 S	4/2016	McMahan et al.	
D716,696 S	11/2014	Thole et al.		D753,560 S	4/2016	McMahan et al.	
D716,706 S	11/2014	Thole et al.		D753,567 S	4/2016	Boniface et al.	
D716,709 S	11/2014	Thole et al.		D754,571 S	4/2016	Boniface et al.	
D717,696 S	11/2014	Thole et al.		D754,572 S	4/2016	McMahan et al.	
D718,189 S	11/2014	Krieg et al.		D755,088 S	5/2016	McMahan et al.	
D718,682 S	* 12/2014	McFarlin	D12/173	D756,869 S	5/2016	McMahan et al.	
D718,683 S	12/2014	Thole et al.		D758,271 S	6/2016	McMahan et al.	
D722,282 S	2/2015	Loeb		D764,975 S	8/2016	Aengenheyster	
D722,533 S	2/2015	Thole et al.		D764,976 S	8/2016	Aengenheyster	
D722,534 S	2/2015	Munson et al.		D765,568 S	* 9/2016	Frascella	D12/173
D724,510 S	3/2015	McMahan et al.		D767,449 S	9/2016	Pevovar et al.	
D725,001 S	3/2015	McMahan et al.		D767,450 S	9/2016	Lee et al.	
D726,591 S	4/2015	Jacob		D767,451 S	9/2016	Kozub et al.	
D730,776 S	6/2015	Smart		D767,454 S	9/2016	McMahan et al.	
D730,783 S	6/2015	Henriques et al.		D767,458 S	9/2016	Kim	
D732,427 S	6/2015	Loeb		D767,459 S	9/2016	Kim	
D732,429 S	6/2015	Loeb		D767,460 S	9/2016	Kozub et al.	
D732,430 S	6/2015	Loeb		D767,461 S	9/2016	Kozub et al.	
D732,431 S	6/2015	Loeb		D771,528 S	11/2016	Smith et al.	
D732,432 S	6/2015	Aengenheyster		D771,529 S	11/2016	Thole et al.	
D732,433 S	6/2015	Aengenheyster		D771,532 S	11/2016	Kapitonov	
D732,435 S	6/2015	Mackay		D771,533 S	11/2016	Kapitonov	
D733,002 S	6/2015	Loeb		D772,766 S	11/2016	Kozub et al.	
D735,611 S	8/2015	Aengenheyster		D772,767 S	11/2016	Kim	
D735,626 S	* 8/2015	Blanski	D12/173	D773,084 S	11/2016	Kapitonov	
D735,627 S	8/2015	Smith		D773,086 S	11/2016	McCabe et al.	
D736,451 S	8/2015	Smith		D774,226 S	12/2016	McCabe et al.	
D737,743 S	* 9/2015	Duff	D12/173	D775,003 S	12/2016	Pevovar et al.	
D739,306 S	9/2015	McMahan et al.		D775,007 S	12/2016	Thole et al.	
D739,317 S	9/2015	McMahan et al.		D775,010 S	12/2016	Kim et al.	
D741,223 S	10/2015	Kim et al.		D775,019 S	* 12/2016	Wheel	D12/173
D743,309 S	* 11/2015	Thole	D12/173	D775,049 S	12/2016	Scheer et al.	
D743,313 S	11/2015	Smith et al.		D775,549 S	1/2017	Karras	
D743,314 S	11/2015	Thole et al.		D775,554 S	1/2017	Kapitonov	
D743,857 S	* 11/2015	McMahan	D12/173	D776,020 S	1/2017	Kapitonov	
D744,158 S	11/2015	Willett et al.		D776,581 S	1/2017	Pevovar et al.	
D745,086 S	12/2015	Finos et al.		D776,583 S	1/2017	Scheer et al.	
D745,719 S	12/2015	Boniface et al.		D776,841 S	1/2017	Kozub et al.	
D745,725 S	12/2015	McMahan et al.		D776,843 S	1/2017	McCabe et al.	
D745,726 S	12/2015	McMahan et al.		D776,846 S	1/2017	Willett et al.	
D745,837 S	12/2015	Smith et al.		D777,359 S	1/2017	Kozub et al.	
D746,726 S	1/2016	Smith et al.		D777,360 S	1/2017	Kozub et al.	
D746,727 S	1/2016	Smith et al.		D777,361 S	1/2017	Kozub et al.	
D746,728 S	1/2016	Smith et al.		D777,621 S	* 1/2017	Kim	D12/173
D746,729 S	1/2016	Boniface et al.		D777,622 S	* 1/2017	Kozub	D12/173
D746,730 S	1/2016	Kim et al.		D787,992 S	* 5/2017	Lee	D12/173
D746,740 S	* 1/2016	Wolff	D12/173	D787,993 S	* 5/2017	McCabe	D12/173
D747,514 S	1/2016	McMahan et al.		D789,260 S	* 6/2017	Smith	D12/173
D747,515 S	1/2016	McMahan et al.		D804,372 S	* 12/2017	Kozub	D12/173
D747,819 S	1/2016	Thole et al.		2004/0256024 A1 *	12/2004	Schlachter	B60K 15/04 141/86
D748,545 S	* 2/2016	Behmer	D12/173	2005/0280287 A1 *	12/2005	Koura	B60R 21/34 296/193.11
D749,021 S	2/2016	Boniface et al.		2016/0280279 A1 *	9/2016	Yoshida	B62D 25/12
D749,026 S	2/2016	Smith et al.		2018/0056927 A1 *	3/2018	Yamada	B60R 21/38

* cited by examiner

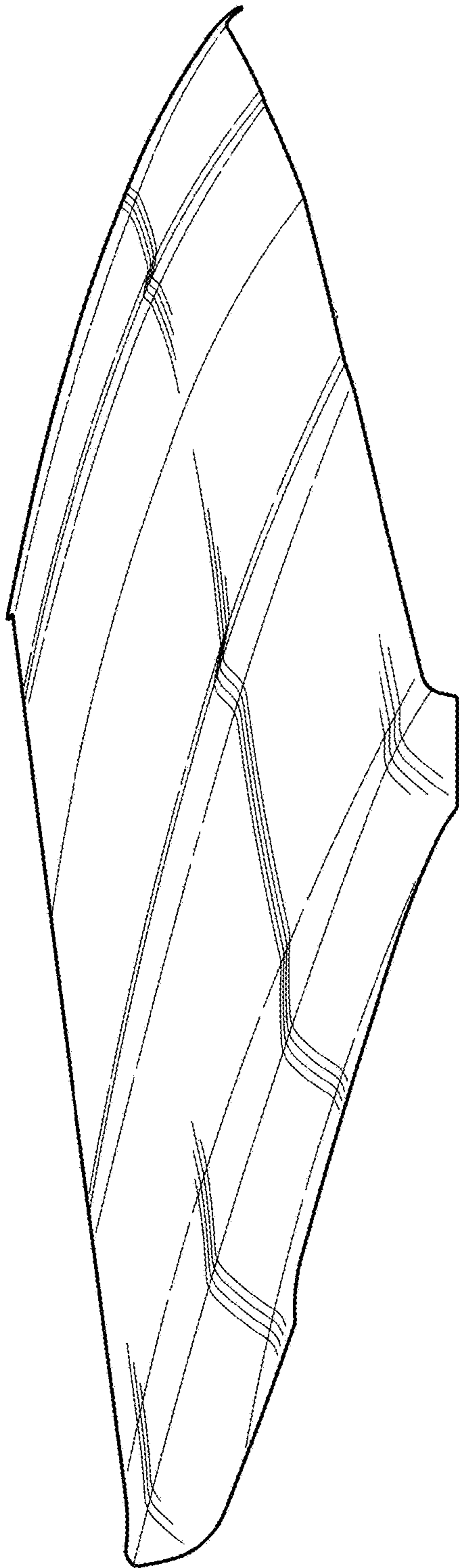


FIG. 1

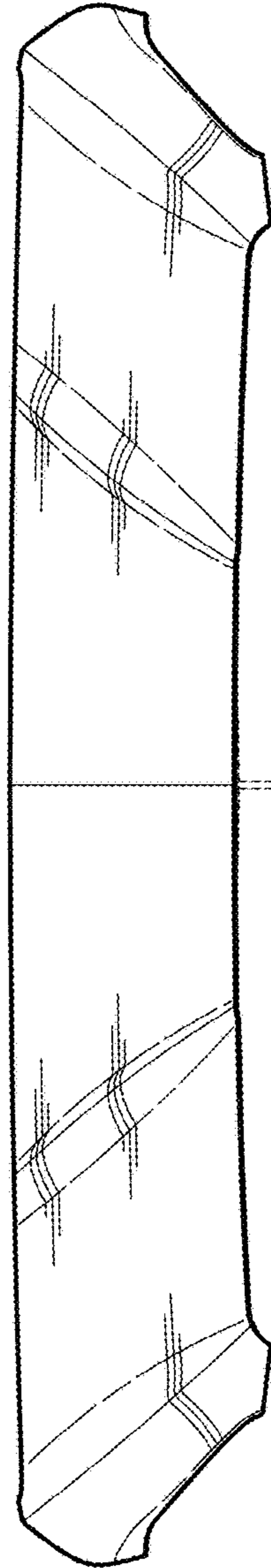


FIG. 2

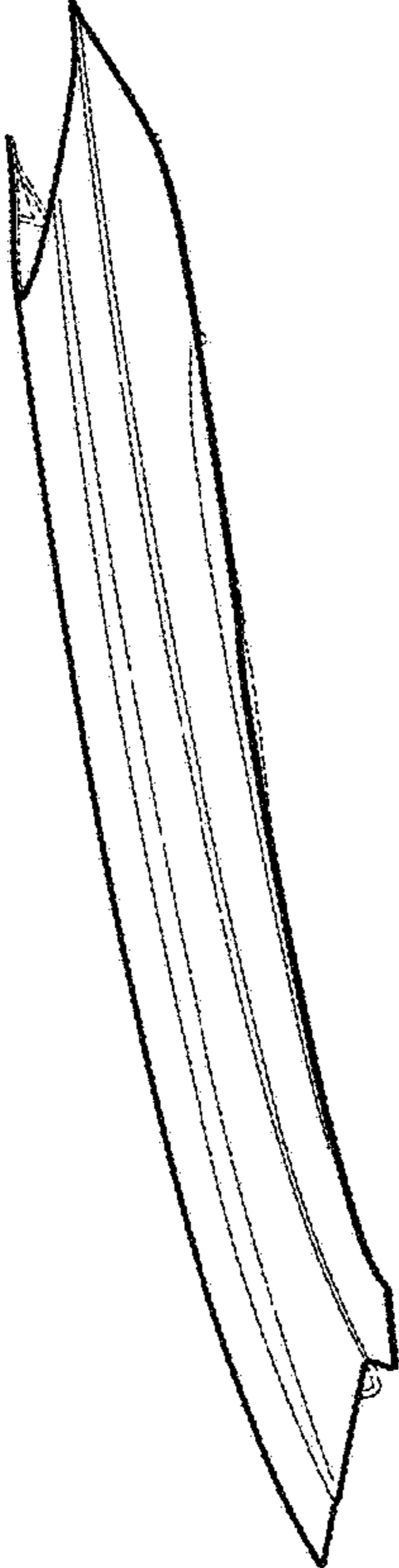


FIG. 3

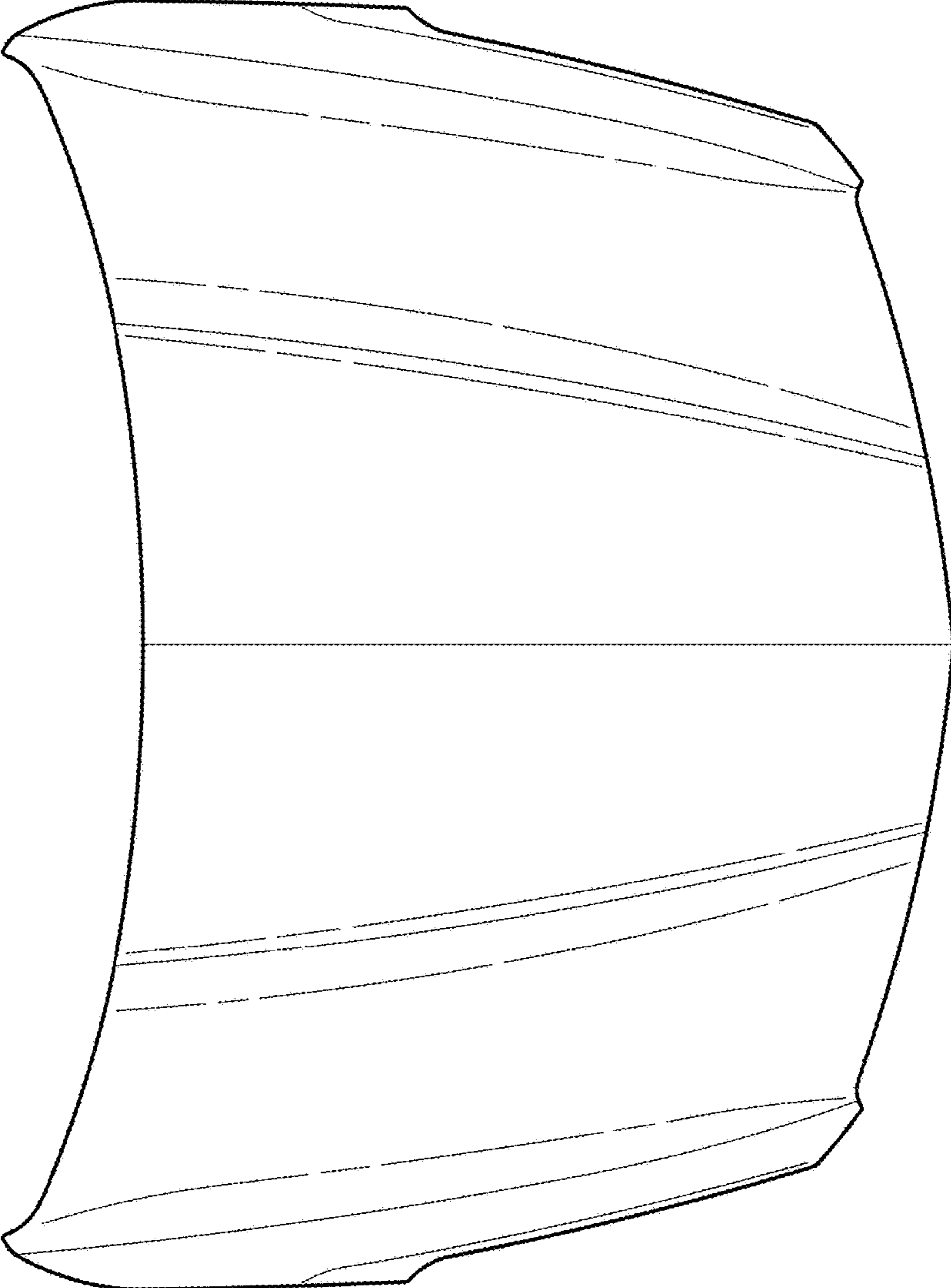


FIG. 4