



US00D824816S

(12) **United States Design Patent**  
**Nakajima et al.**

(10) **Patent No.:** **US D824,816 S**  
(45) **Date of Patent:** **\*\* Aug. 7, 2018**

(54) **REAR BUMPER FOR AUTOMOBILE**

**FOREIGN PATENT DOCUMENTS**

(71) Applicant: **Nissan Motor Co., Ltd.**, Yokohama,  
Kanagawa (JP)  
(72) Inventors: **Takeshi Nakajima**, Kanagawa (JP);  
**Hisatsugu Hirabayashi**, Kanagawa (JP)  
(73) Assignee: **Nissan Motor Co., Ltd.**, Yokohama  
(JP)  
(\*\*) Term: **15 Years**

JP	D1161487 S	12/2002
JP	D1346803 S	12/2008
JP	D1389608 S	6/2010
JP	D1389610 S	6/2010
JP	D1434617 S	2/2012
JP	D1445040 S	7/2012
JP	D1451939 S	10/2012
JP	D1465081 S	3/2013
JP	D1486325 S	12/2013
JP	D1486870 S	12/2013
JP	D1489383 S	2/2014
JP	D1518666 S	2/2016
JP	D1537266 S	7/2016
JP	D1562808 S	11/2016

(21) Appl. No.: **29/597,539**

(Continued)

(22) Filed: **Mar. 17, 2017**

*Primary Examiner* — Melody N Brown

(30) **Foreign Application Priority Data**

(57) **CLAIM**

Sep. 20, 2016 (JP) ..... 2016-020272

The ornamental design for a rear bumper for an automobile,  
as shown and described.

(51) **LOC (11) Cl.** ..... **12-16**

**DESCRIPTION**

(52) **U.S. Cl.**  
USPC ..... **D12/169**

(58) **Field of Classification Search**  
USPC .... D12/169, 216, 90-92, 86, 171, 196, 163;  
293/102, 113, 115, 117, 120; 296/180.1,  
296/180.2  
CPC ..... B60R 19/02; B60R 19/04; B62D 25/08  
See application file for complete search history.

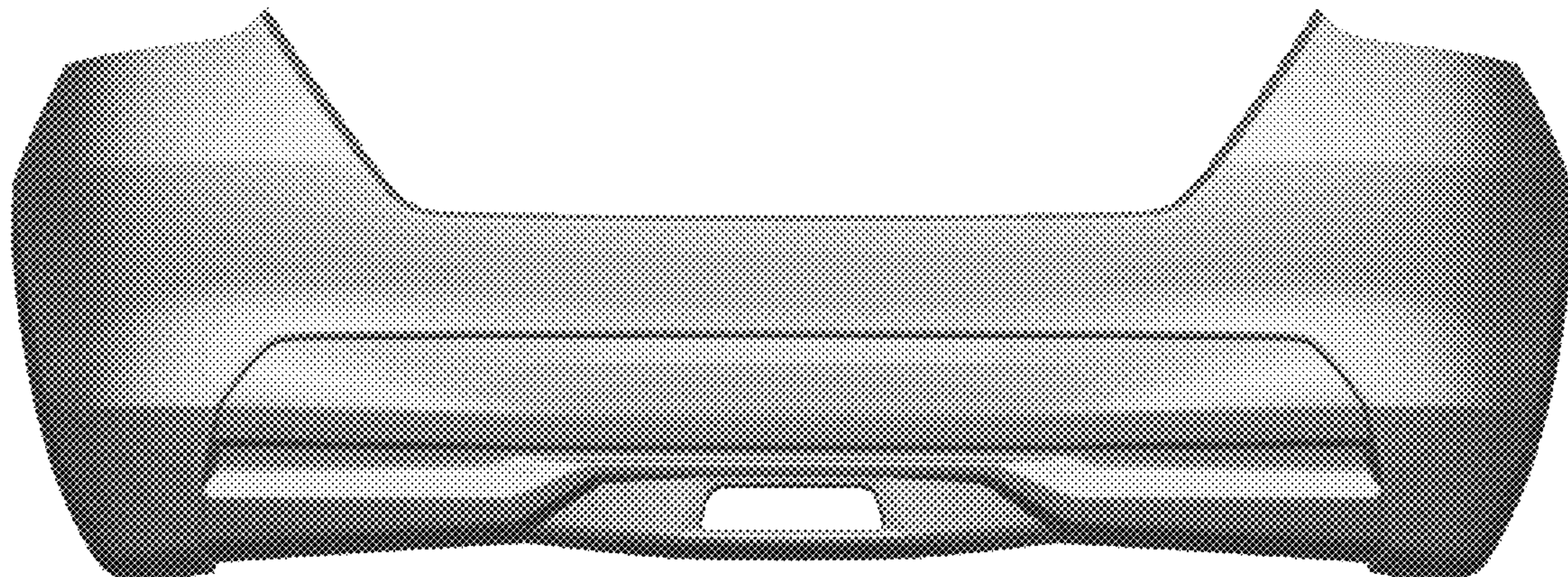
FIG. 1 is a front elevational view of a rear bumper for an automobile in accordance with our new design;  
FIG. 2 is a top plan view thereof;  
FIG. 3 is a bottom plan view thereof;  
FIG. 4 is a left side elevational view thereof;  
FIG. 5 is a right side elevational view thereof;  
FIG. 6 is a bottom, front and left side perspective view thereof; and,  
FIG. 7 is a top, front and right side perspective view thereof. The rear view of the rear bumper forms no part of the claimed design. In addition, the rear bumper is configured to be mounted to an automobile. The inside surfaces of the rear bumper, shown in broken lines in FIGS. 2, 3 and 7, form no part of the claimed design since the inside surfaces are hidden when the rear bumper is mounted to the automobile.

(56) **References Cited**

**U.S. PATENT DOCUMENTS**

D614,545 S *	4/2010	Ono	.....	D12/169
D644,573 S *	9/2011	Bauer	.....	D12/169
D680,039 S *	4/2013	Okamoto	.....	D12/169
D683,282 S *	5/2013	Fuchigami	.....	D12/169
D743,855 S *	11/2015	Miyazawa	.....	D12/169
D788,643 S *	6/2017	Bucher	.....	D12/91

**1 Claim, 7 Drawing Sheets**



(56)

**References Cited**

FOREIGN PATENT DOCUMENTS

JP	D1546048 S	3/2017
JP	D1546069 S	3/2017
JP	D1572302 S	3/2017
JP	D1527904 S	6/2017
JP	D1538314 S	11/2017

\* cited by examiner

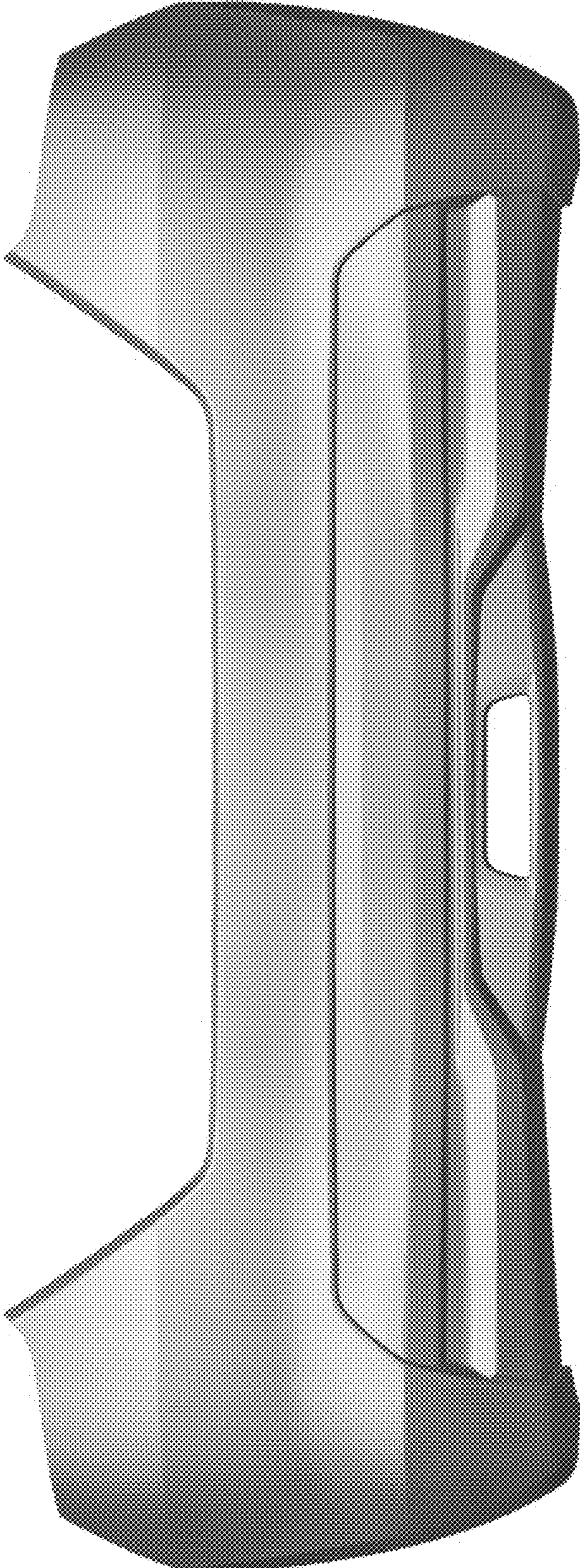


FIG. 1

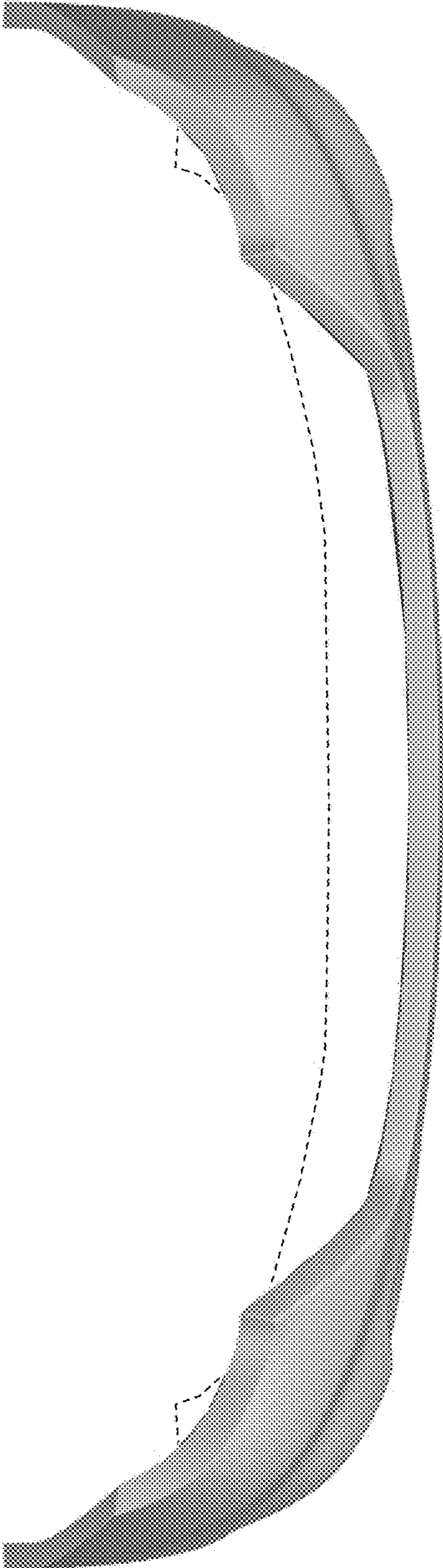


FIG. 2

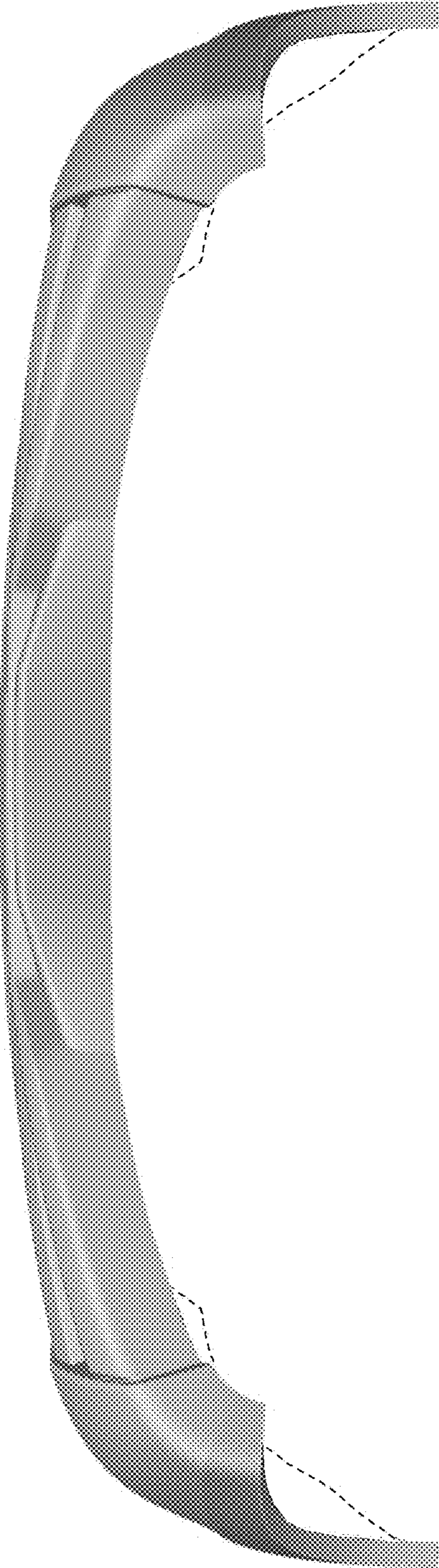


FIG. 3

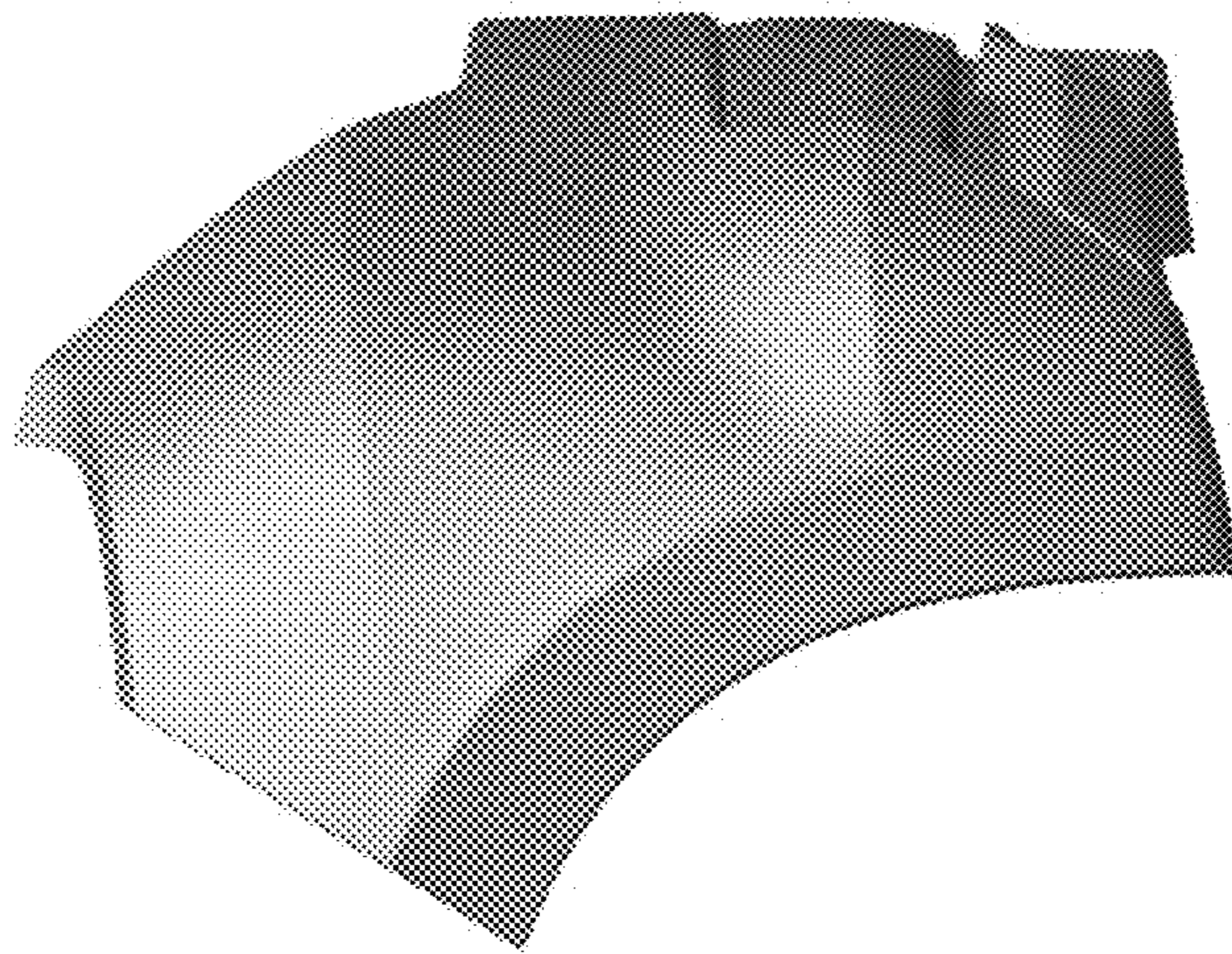


FIG. 4

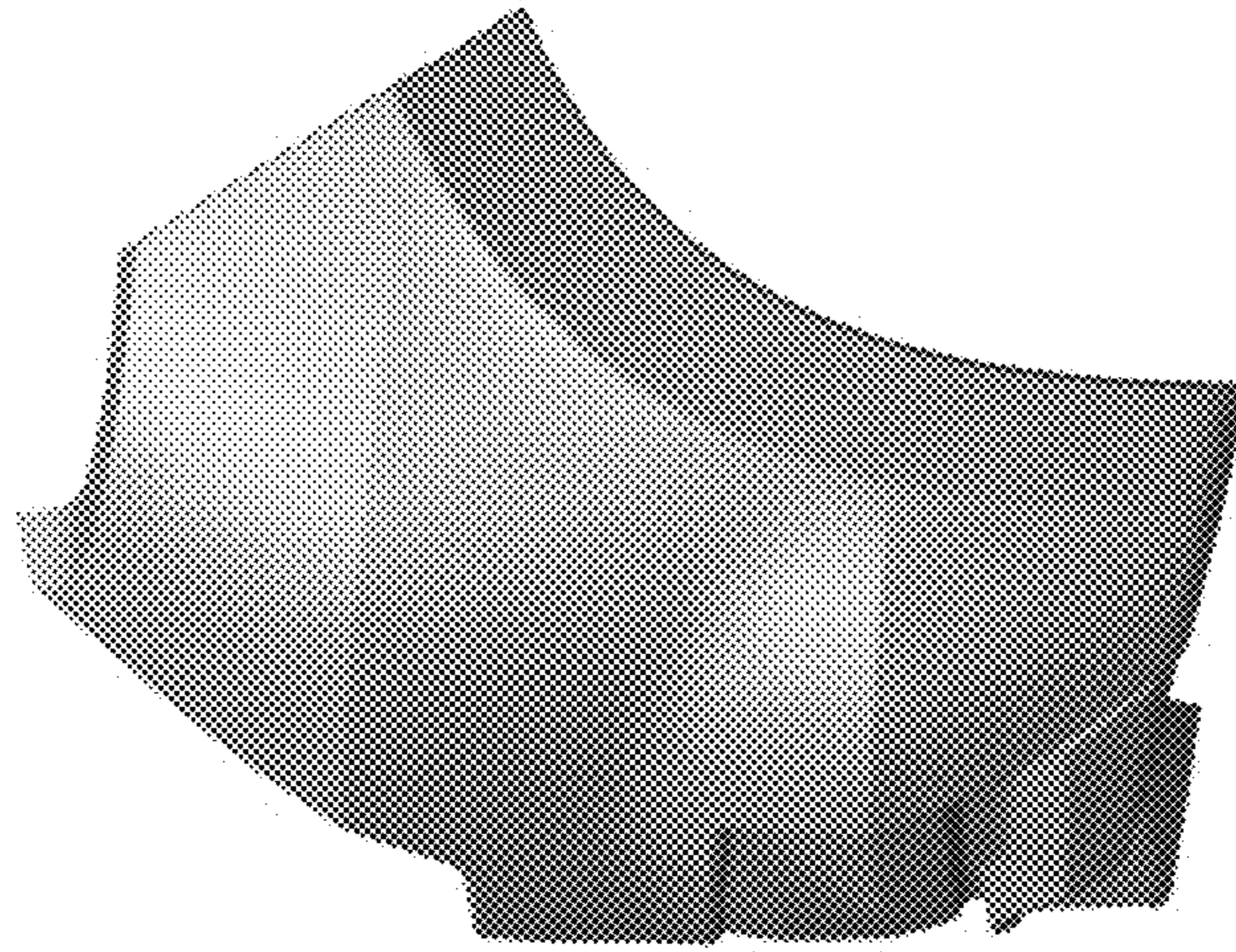


FIG. 5



FIG. 6



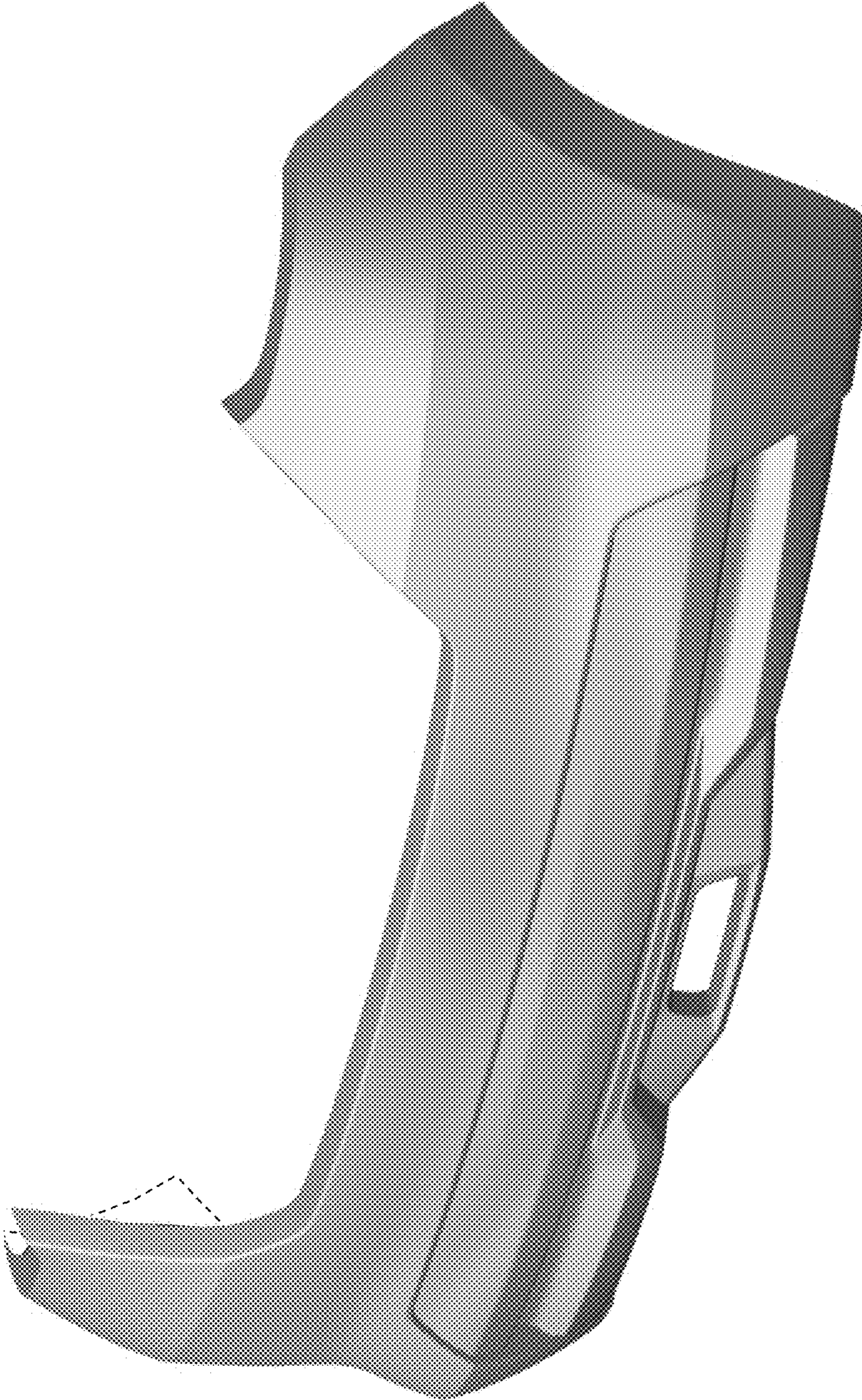


FIG. 7