



US00D824809S

(12) **United States Design Patent**
Minami

(10) **Patent No.:** **US D824,809 S**

(45) **Date of Patent:** **** Aug. 7, 2018**

(54) **AUTOMOBILE**

(71) Applicant: **HONDA MOTOR CO., LTD.**, Tokyo
(JP)

(72) Inventor: **Toshinobu Minami**, Wako (JP)

(73) Assignee: **HONDA MOTOR CO., LTD.**, Tokyo
(JP)

(**) Term: **15 Years**

(21) Appl. No.: **29/598,672**

(22) Filed: **Mar. 28, 2017**

(30) **Foreign Application Priority Data**

Sep. 30, 2016 (JP) 2016-021105

(51) **LOC (11) Cl.** **12-08**

(52) **U.S. Cl.**
USPC **D12/92**

(58) **Field of Classification Search**

USPC D12/86, 90-92, 88; D21/421, 433, 434;
296/181.1, 181.5
CPC B62D 35/00; B62D 25/00; B62D 25/06;
B62D 33/00

See application file for complete search history.

(56) **References Cited**

U.S. PATENT DOCUMENTS

D737,177 S * 8/2015 Watanabe D12/92
D762,526 S * 8/2016 Minami D12/92

D766,133 S * 9/2016 Ohhashi D12/91
D774,951 S * 12/2016 Kazama D12/92
D780,065 S * 2/2017 Suzuki D12/91
D781,180 S * 3/2017 Minami D12/91
D795,137 S * 8/2017 Katou D12/91
D795,744 S * 8/2017 Sahara D12/91
D803,725 S * 11/2017 Suzuki D12/91
D808,303 S * 1/2018 Chung D12/92
D808,304 S * 1/2018 Chung D12/92
D810,625 S * 2/2018 Sungjun D12/91

* cited by examiner

Primary Examiner — Melody N Brown

(74) *Attorney, Agent, or Firm* — Westerman, Hattori,
Daniels & Adrian, LLP

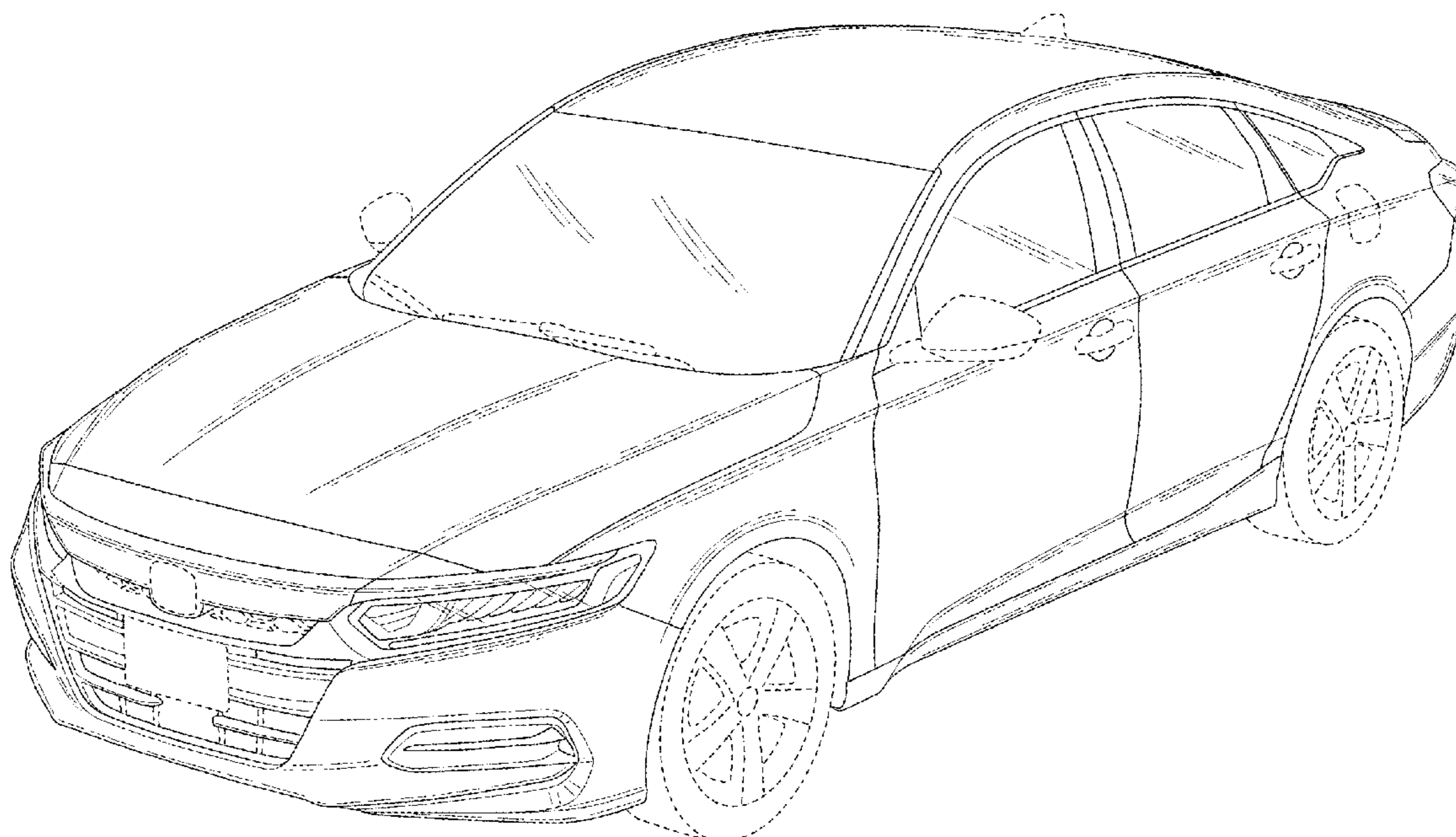
(57) **CLAIM**

The ornamental design for an automobile, as shown and described.

DESCRIPTION

FIG. 1 is a top, front and right side perspective view of an automobile showing my new design;
FIG. 2 is a top, rear and right side perspective view thereof;
FIG. 3 is a right side elevational view thereof;
FIG. 4 is a front elevational view thereof;
FIG. 5 is a rear elevational view thereof and;
FIG. 6 is a top plan view thereof; and,
FIG. 7 is a left side elevational view thereof.
The broken lines in the drawings illustrate portions of an automobile that form no part of the claimed design.

1 Claim, 7 Drawing Sheets



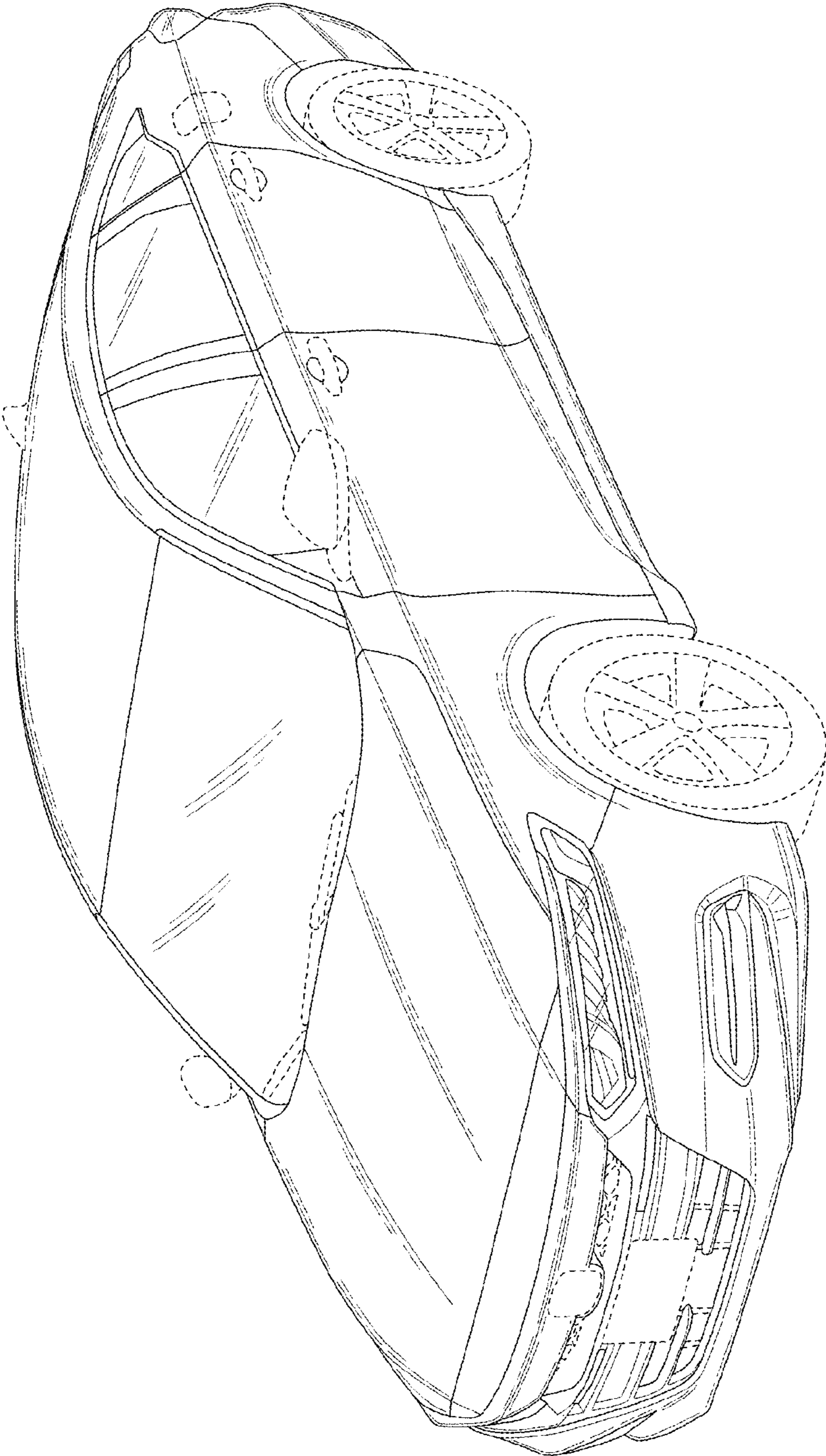


FIG.1

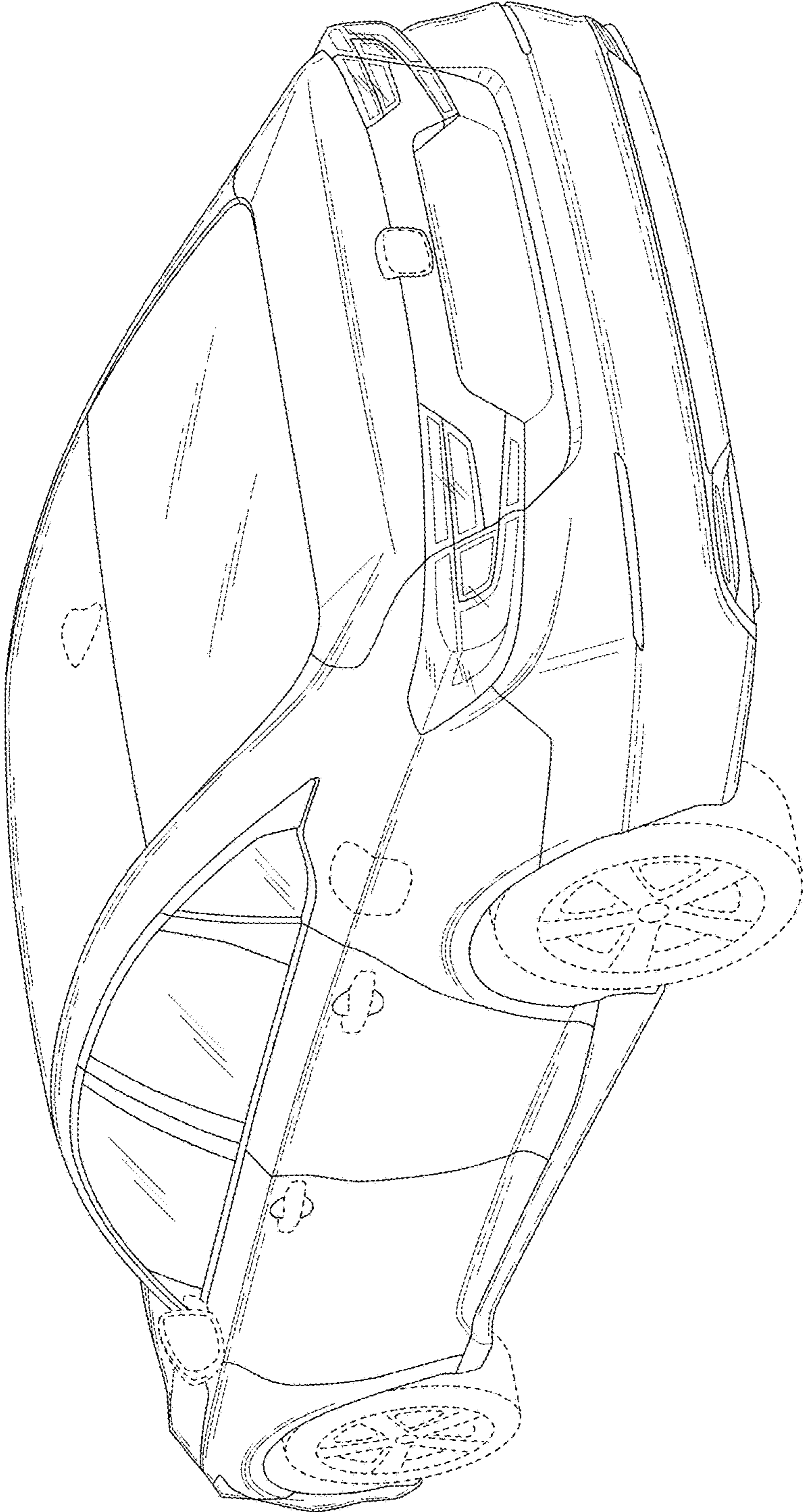


FIG.2

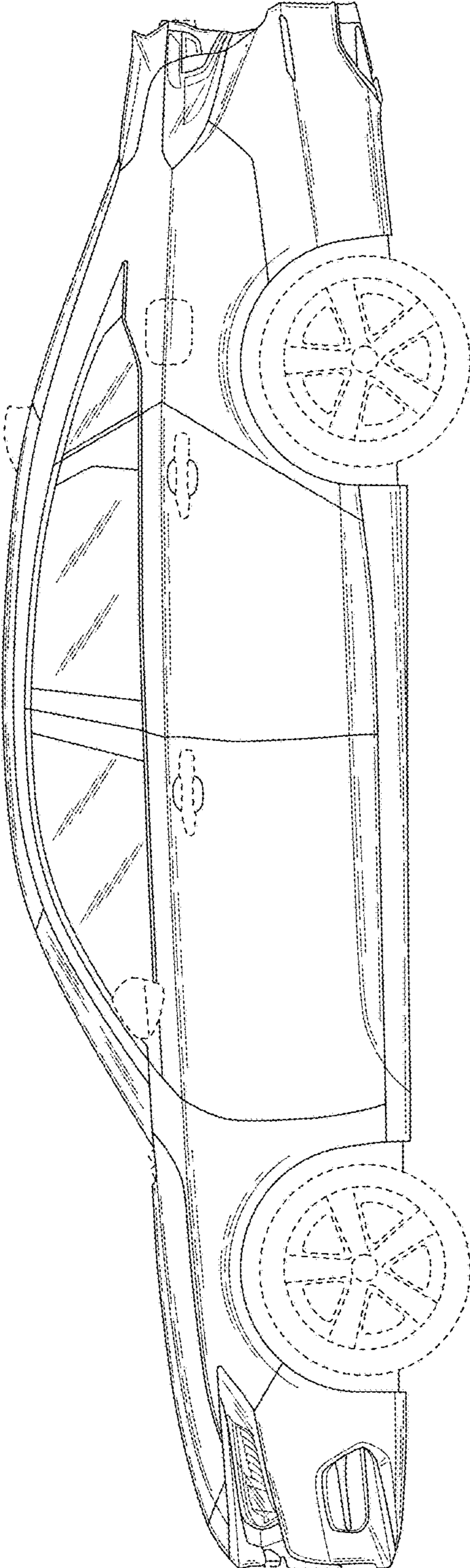


FIG.3

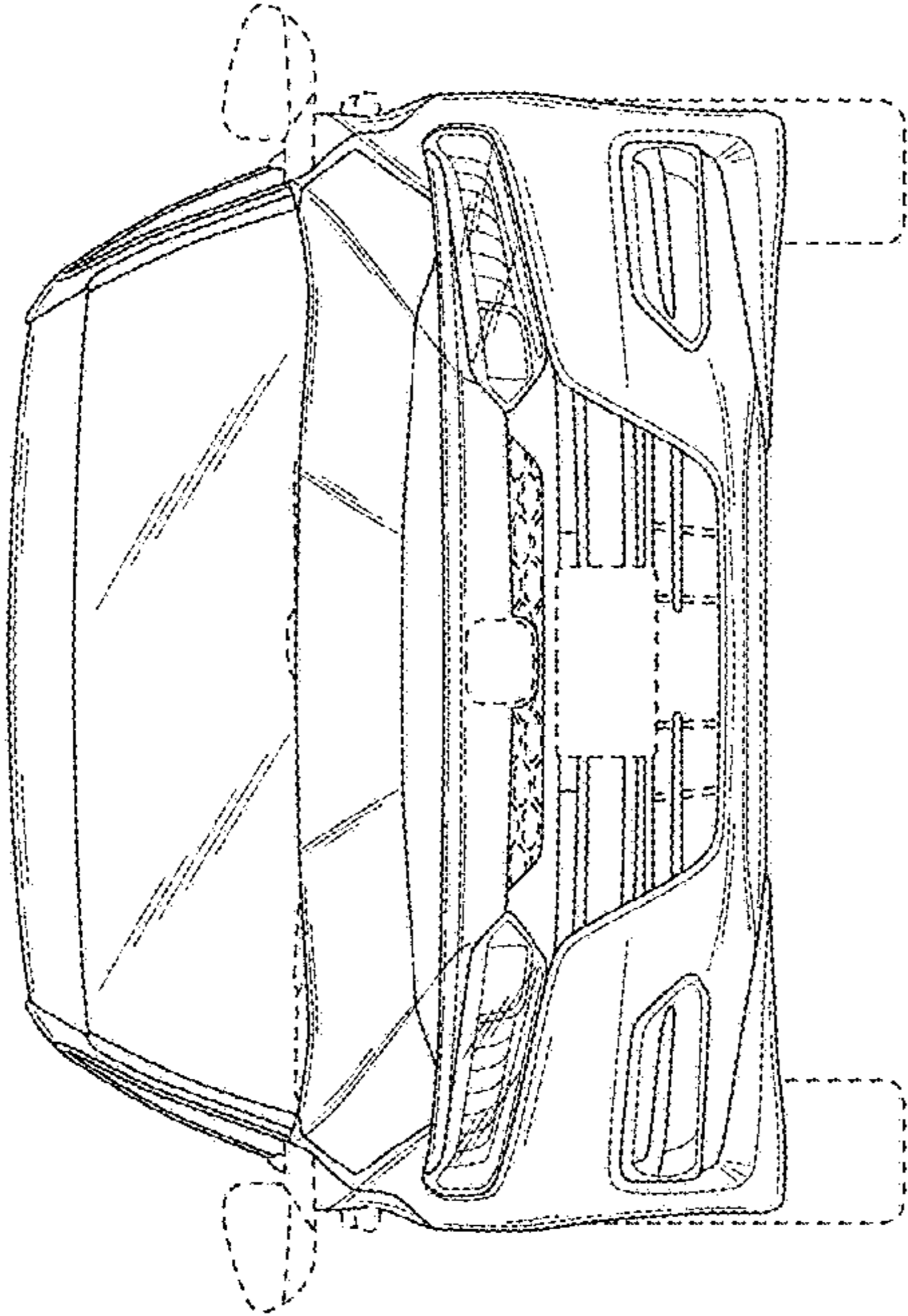


FIG.4

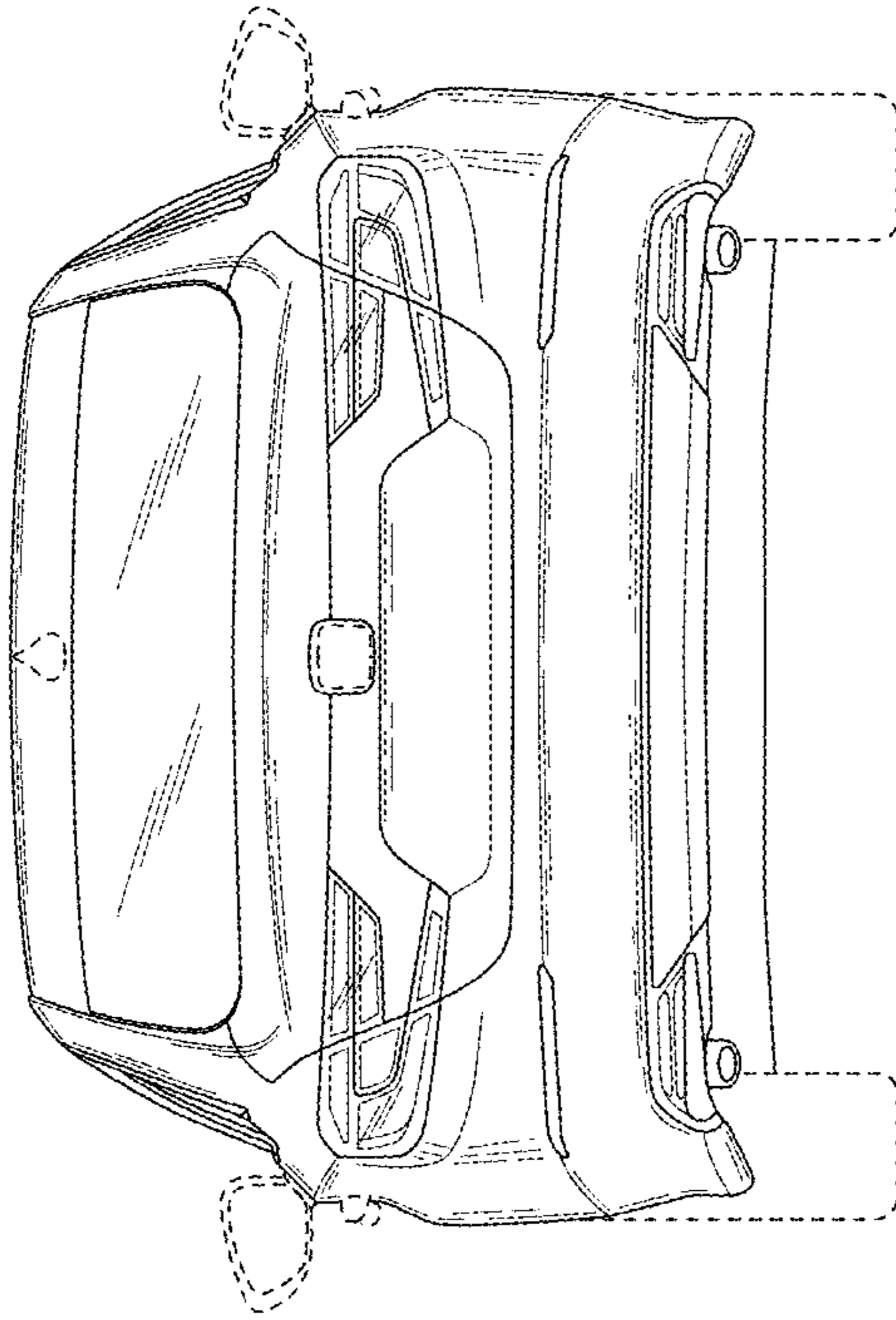


FIG.5

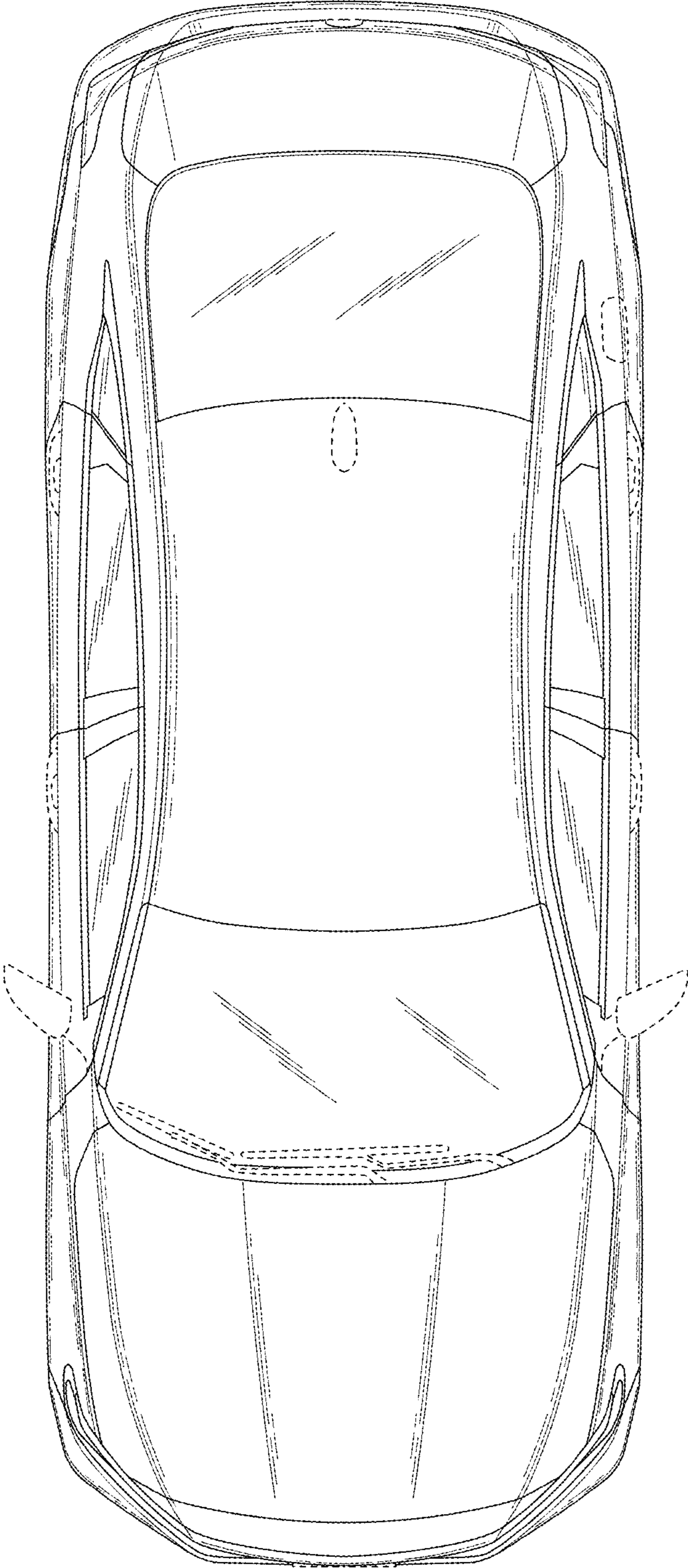


FIG.6

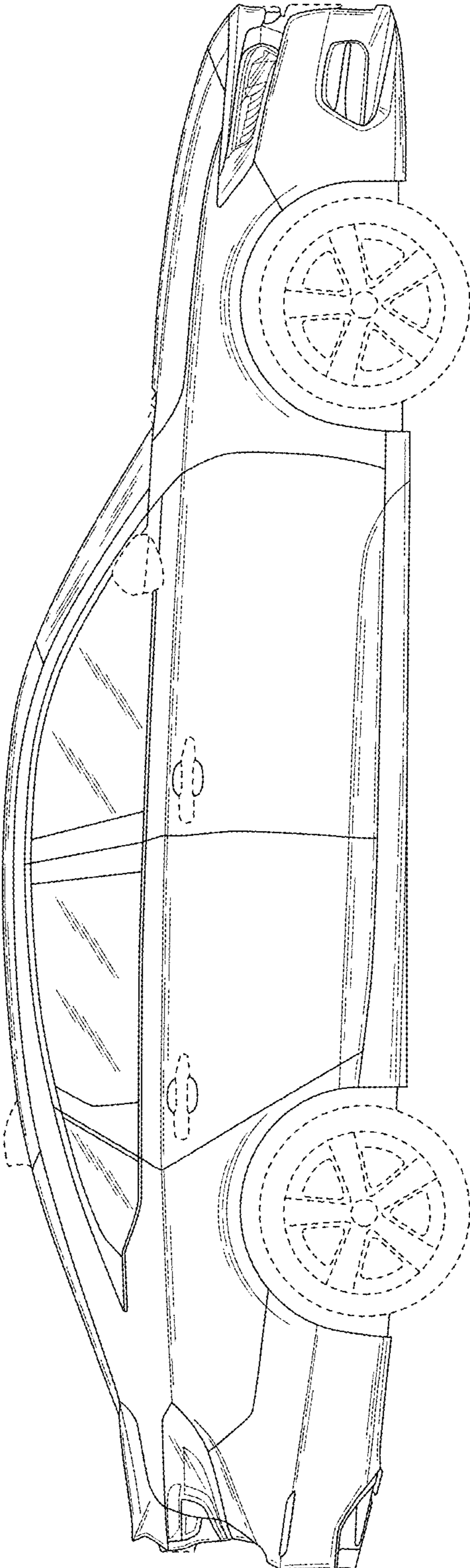


FIG.7