



US00D824808S

(12) **United States Design Patent** (10) **Patent No.:** **US D824,808 S**  
**Badstuebner et al.** (45) **Date of Patent:** **\*\* Aug. 7, 2018**

(54) **VEHICLE, TOY, AND/OR REPLICAS THEREOF**

(71) Applicant: **Daimler AG**, Stuttgart (DE)

(72) Inventors: **Achim-Dietrich Badstuebner**, Munich (DE); **Mark Fetherston**, Stuttgart (DE); **Robert Lesnik**, Leonberg (DE)

(73) Assignee: **Daimler AG**, Stuttgart (DE)

(\*\*) Term: **15 Years**

(21) Appl. No.: **29/598,631**

(22) Filed: **Mar. 28, 2017**

(30) **Foreign Application Priority Data**

Sep. 29, 2016 (WO) ..... DM/092998

(51) **LOC (11) Cl.** ..... **12-08**

(52) **U.S. Cl.**  
USPC ..... **D12/92**

(58) **Field of Classification Search**  
USPC ..... D12/86, 90-92, 88; D21/421, 433, 434;  
296/181.1, 181.5  
CPC ..... B62D 35/00; B62D 25/00; B62D 25/06;  
B62D 33/00  
See application file for complete search history.

(56) **References Cited**

**U.S. PATENT DOCUMENTS**

D580,826 S	*	11/2008	Rhoades	.....	D12/92
D634,677 S	*	3/2011	Futschik	.....	D12/164
D634,678 S	*	3/2011	Futschik	.....	D12/164
D635,059 S	*	3/2011	Futschik	.....	D12/92
D671,033 S		11/2012	Fetherston et al.		
D671,041 S	*	11/2012	Frei	.....	D12/164
D699,162 S		2/2014	Fetherston et al.		
D701,798 S	*	4/2014	Futschik	.....	D12/164
D703,584 S	*	4/2014	Futschik	.....	D12/92

D721,299 S	*	1/2015	Fetherston	.....	D12/92
D730,775 S	*	6/2015	Frenzel	.....	D12/91
D753,550 S	*	4/2016	Asal	.....	D12/92
D758,250 S	*	6/2016	Lesnik	.....	D12/92
D761,159 S	*	7/2016	Lesnik	.....	D12/92
D769,156 S	*	10/2016	Lesnik	.....	D12/92
D769,774 S	*	10/2016	Lesnik	.....	D12/92
D775,557 S	*	1/2017	Lesnik	.....	D12/164
D790,406 S	*	6/2017	Futschik	.....	D12/92
D798,770 S	*	10/2017	Lesnik	.....	D12/92
D799,377 S	*	10/2017	Lesnik	.....	D12/92
D799,378 S	*	10/2017	Lee	.....	D12/92
D808,305 S	*	1/2018	Badstuebner	.....	D12/92
D815,989 S	*	4/2018	Badstuebner	.....	D12/92

\* cited by examiner

*Primary Examiner* — Melody N Brown

(74) *Attorney, Agent, or Firm* — Crowell & Moring LLP

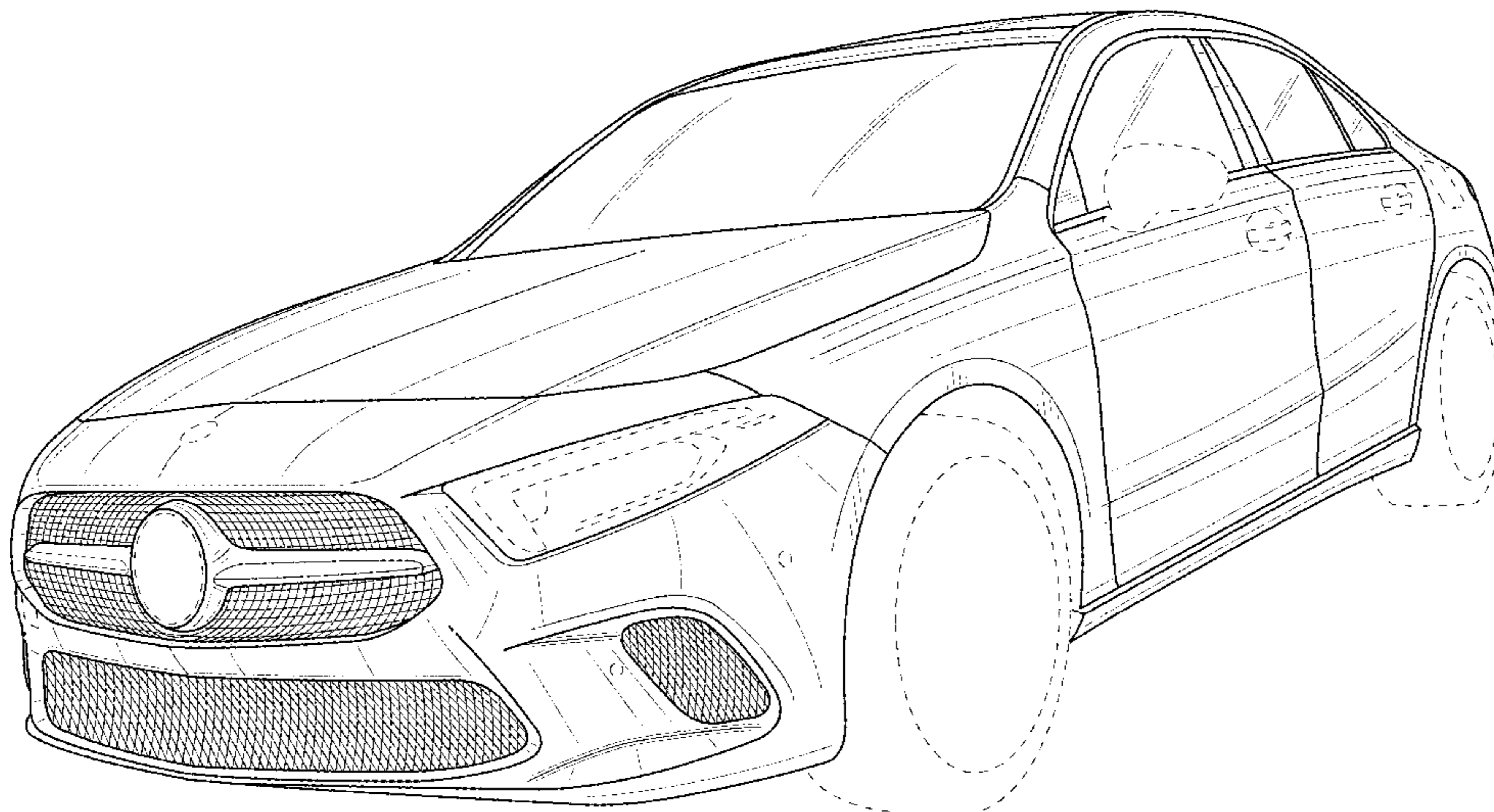
(57) **CLAIM**

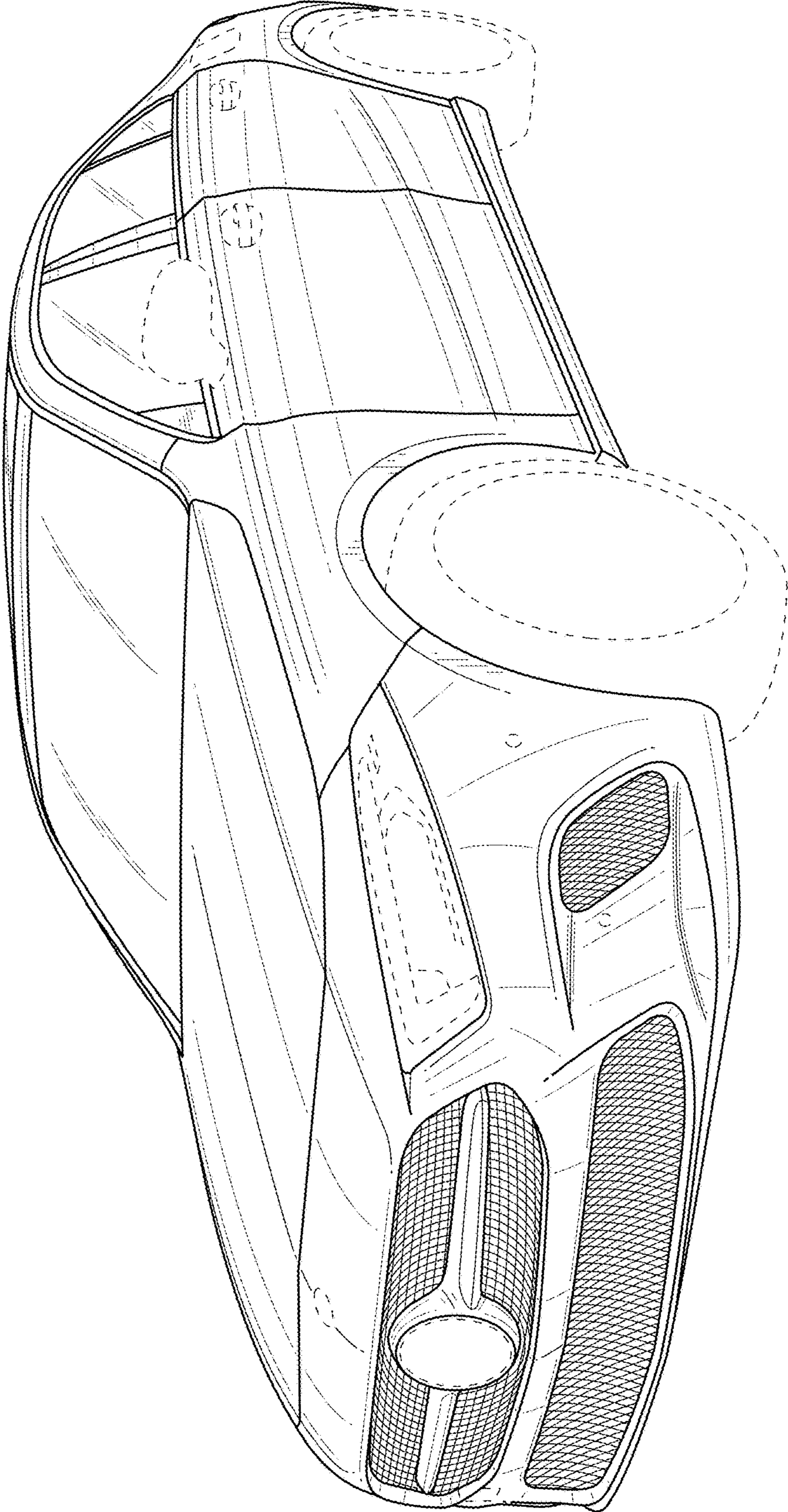
The ornamental design for a vehicle, toy, and/or replicas thereof, as shown and described.

**DESCRIPTION**

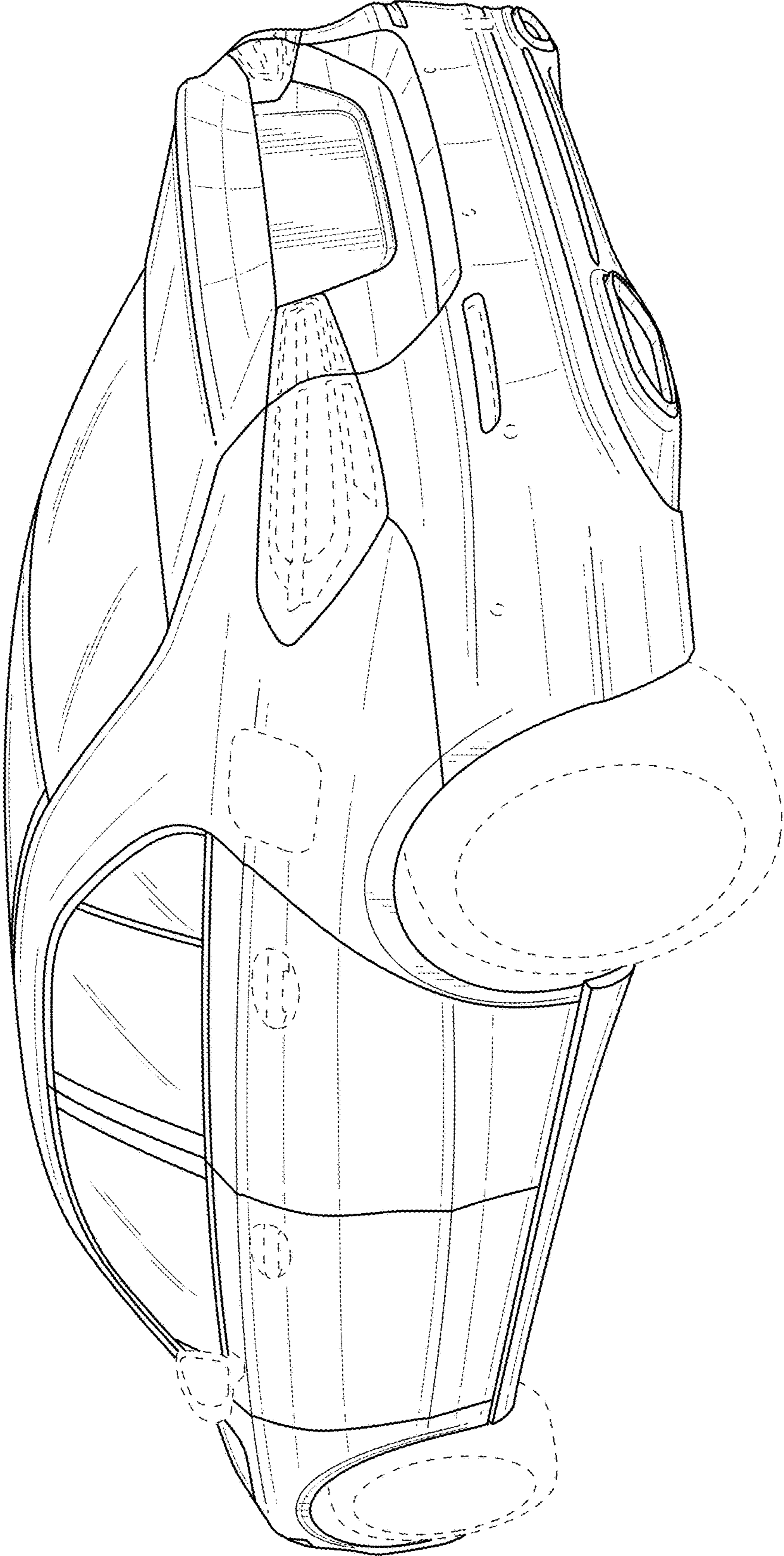
This application contains subject matter related to the following co-pending U.S. design patent applications: Application Ser. No. 29/598,632, filed herewith and entitled "Rear Bumper for a Vehicle"; and Application Ser. No. 29/587,209, filed Dec. 12, 2016 and entitled Vehicle, Toy, and/or Replicas Thereof. FIG. 1 is a left, front perspective view of a vehicle, toy, and/or replicas thereof according to the design; FIG. 2 is a left, rear perspective view thereof; FIG. 3 is a left side view thereof; FIG. 4 is a right side view thereof; FIG. 5 is a front view thereof; FIG. 6 is a rear view thereof; and, FIG. 7 is a top view thereof. The broken lines in the drawings illustrate environmental subject matter only and form no part of the claimed design.

**1 Claim, 7 Drawing Sheets**

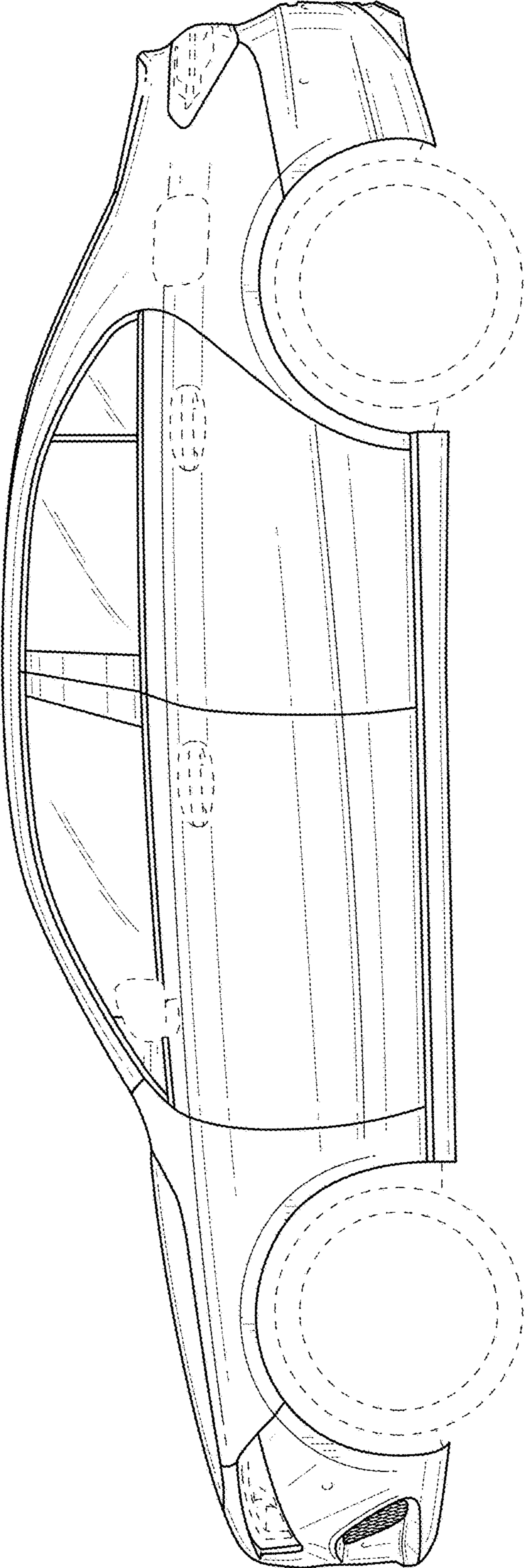




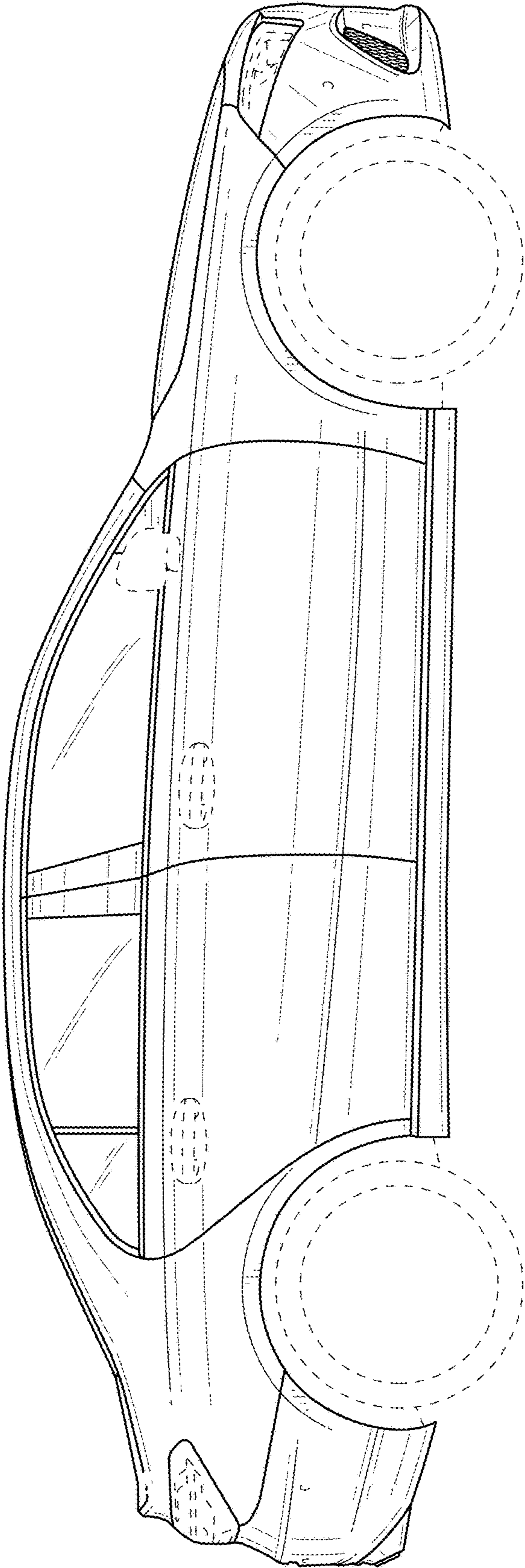
**FIG. 1**



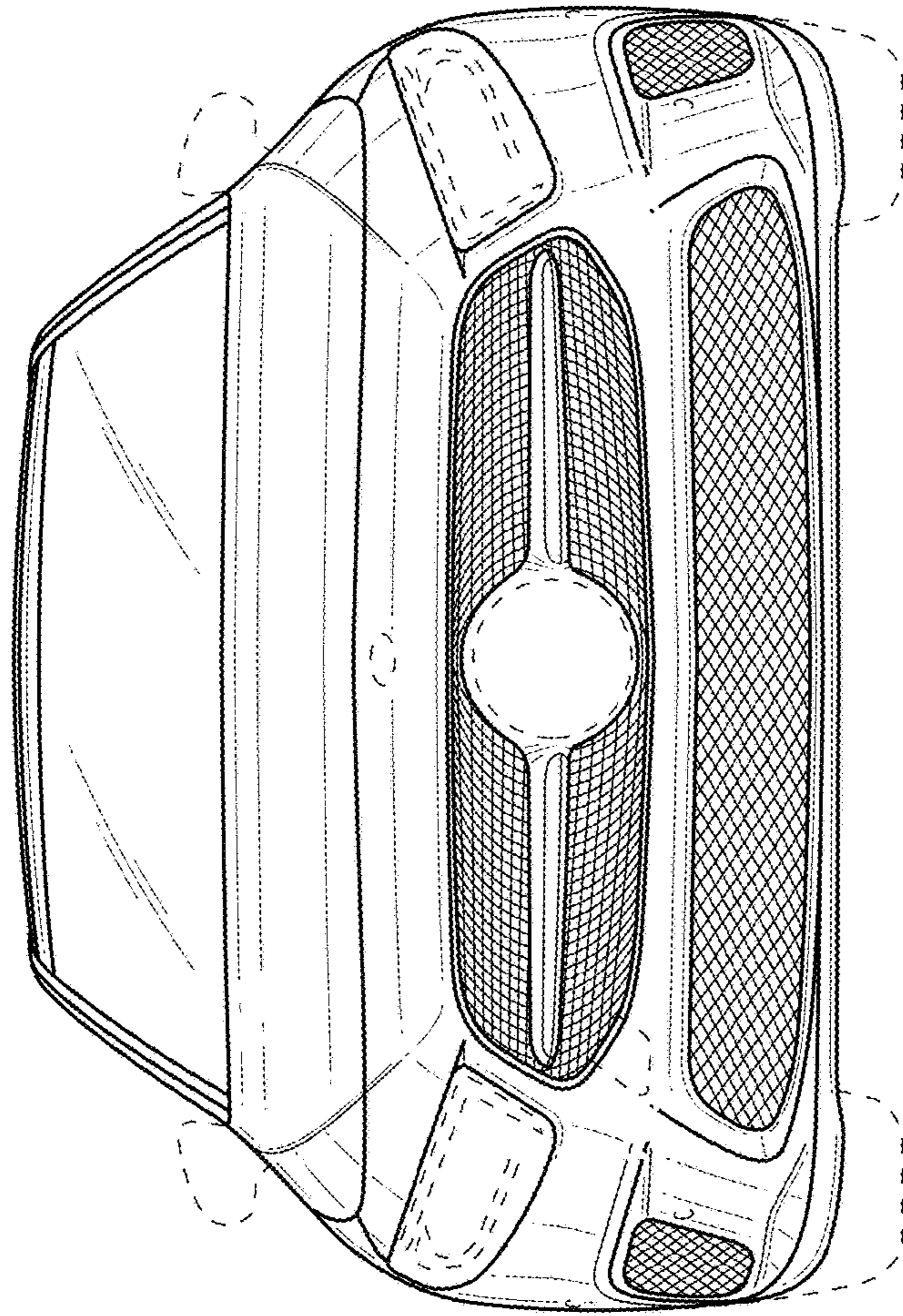
**FIG. 2**



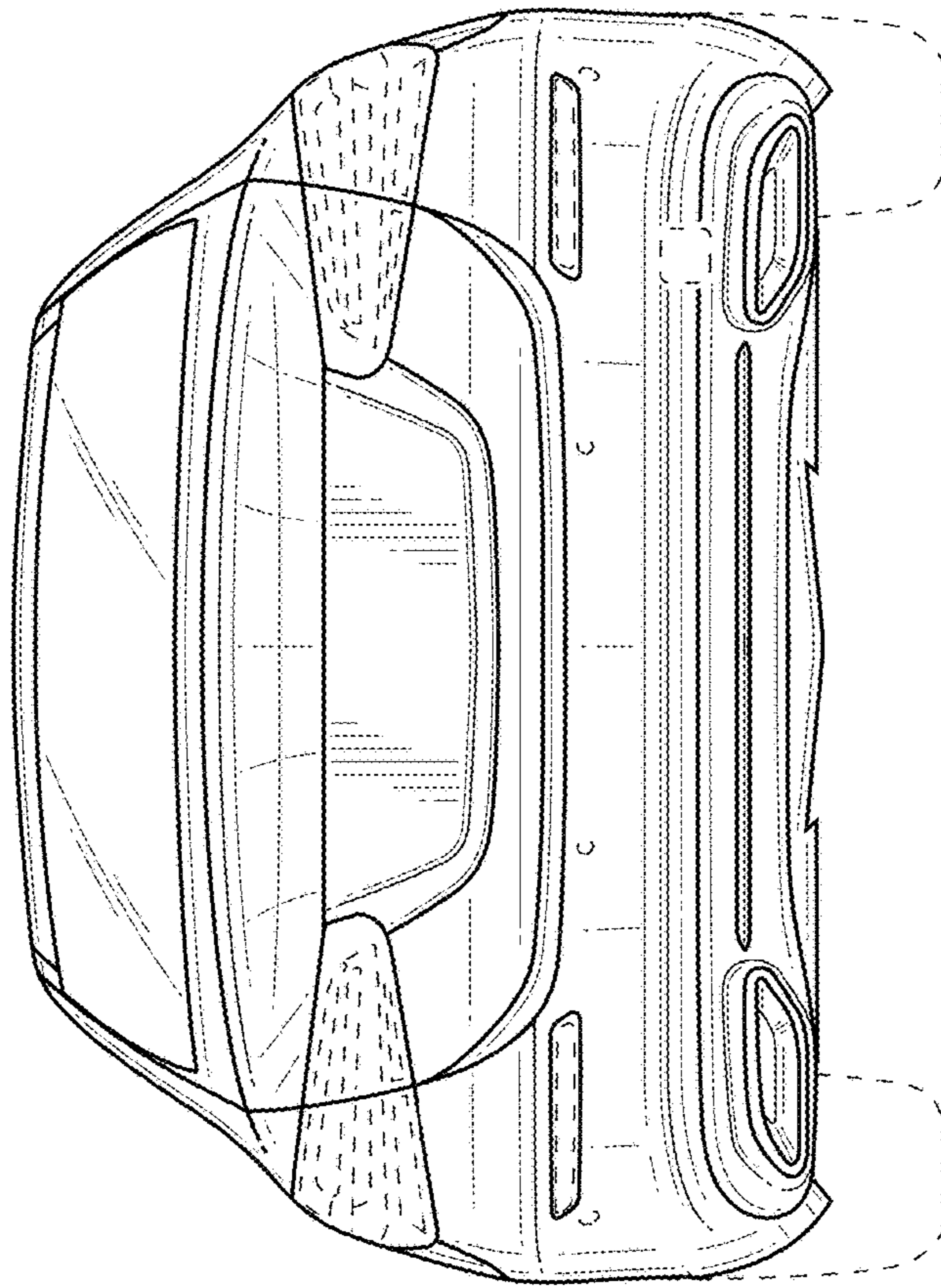
**FIG. 3**



**FIG. 4**



**FIG. 5**



**FIG. 6**

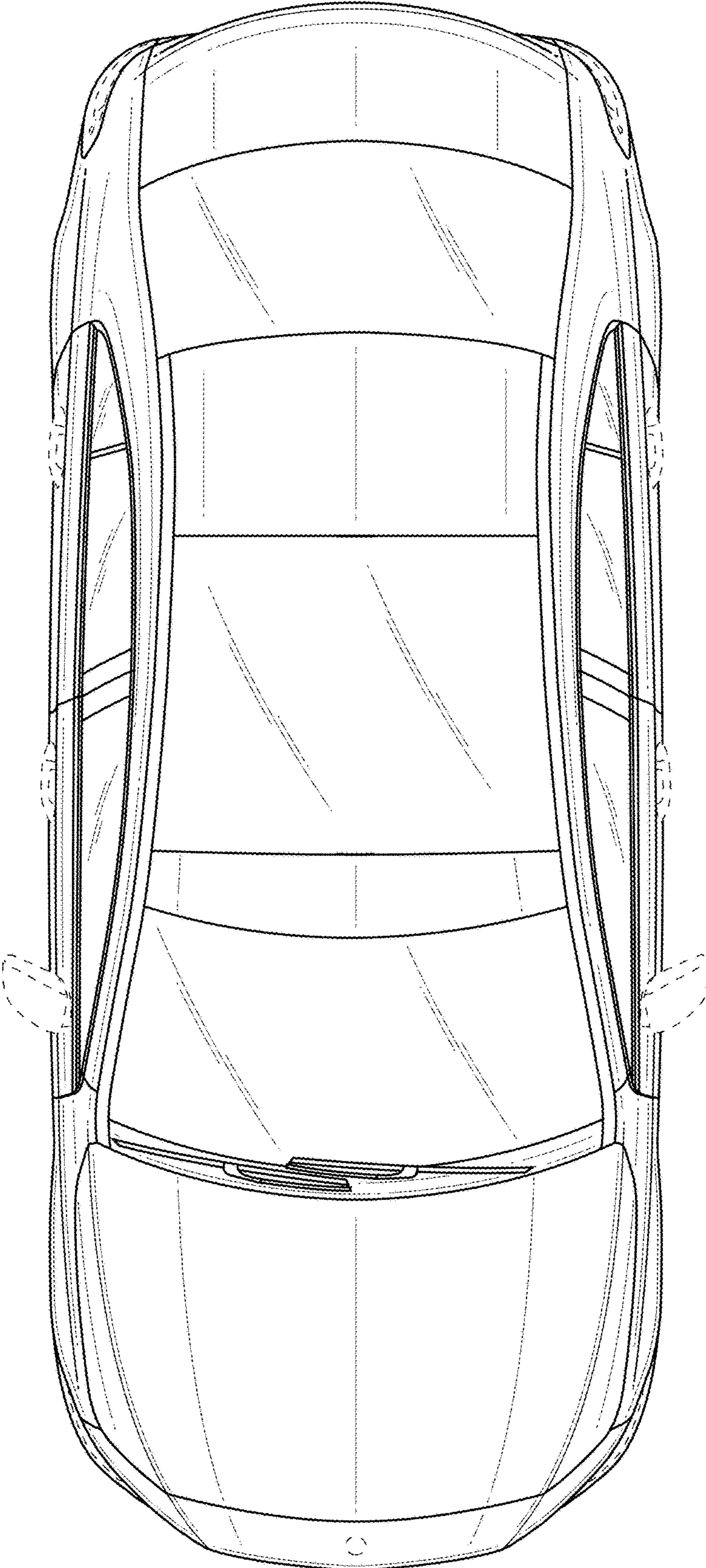


FIG. 7