



US00D824805S

(12) **United States Design Patent**
Karka

(10) **Patent No.:** **US D824,805 S**

(45) **Date of Patent:** **** Aug. 7, 2018**

(54) **THREE-WHEELED VEHICLE**

(71) Applicant: **Kerv Automotive N.V.**,
Houthalen-Helchteren (BE)

(72) Inventor: **Bekir Karka**, Essen (DE)

(73) Assignee: **Kerv Automotive N.V.**,
Houthalen-Helchteren (BE)

(**) Term: **15 Years**

(21) Appl. No.: **29/555,116**

(22) Filed: **Feb. 18, 2016**

(30) **Foreign Application Priority Data**

Aug. 19, 2015 (EM) 002757104-0001

(51) **LOC (11) Cl.** **12-08**

(52) **U.S. Cl.**
USPC **D12/85**

(58) **Field of Classification Search**

USPC D12/85, 86, 107; D21/424, 433, 434
CPC B62D 21/11; B62D 29/043; B62D 31/00;
B62D 49/00; B62D 61/065; B62L 3/00;
B62K 3/005; B62K 5/01; B62K 5/08;
B62K 5/027

See application file for complete search history.

(56) **References Cited**

U.S. PATENT DOCUMENTS

D203,665 S * 2/1966 Cherry et al. D12/85
D219,650 S * 1/1971 Balch D12/85

D268,402 S * 3/1983 Riley D12/85
D283,113 S * 3/1986 Stollery D12/85
D329,211 S * 9/1992 Malewicki D12/85
D407,348 S * 3/1999 Riley D12/85
6,015,022 A * 1/2000 Thuliez B62D 21/04
180/210
D547,701 S * 7/2007 Vey D12/110
D626,032 S * 10/2010 Starr D12/85
D678,124 S * 3/2013 Canni D12/85
D690,622 S * 10/2013 Bruce D12/110
D695,644 S * 12/2013 Timonen D12/85
2014/0019006 A1 * 1/2014 Bruce B62D 5/0457
701/41

* cited by examiner

Primary Examiner — Darlington Ly

(74) *Attorney, Agent, or Firm* — Swanson & Bratschun,
L.L.C.

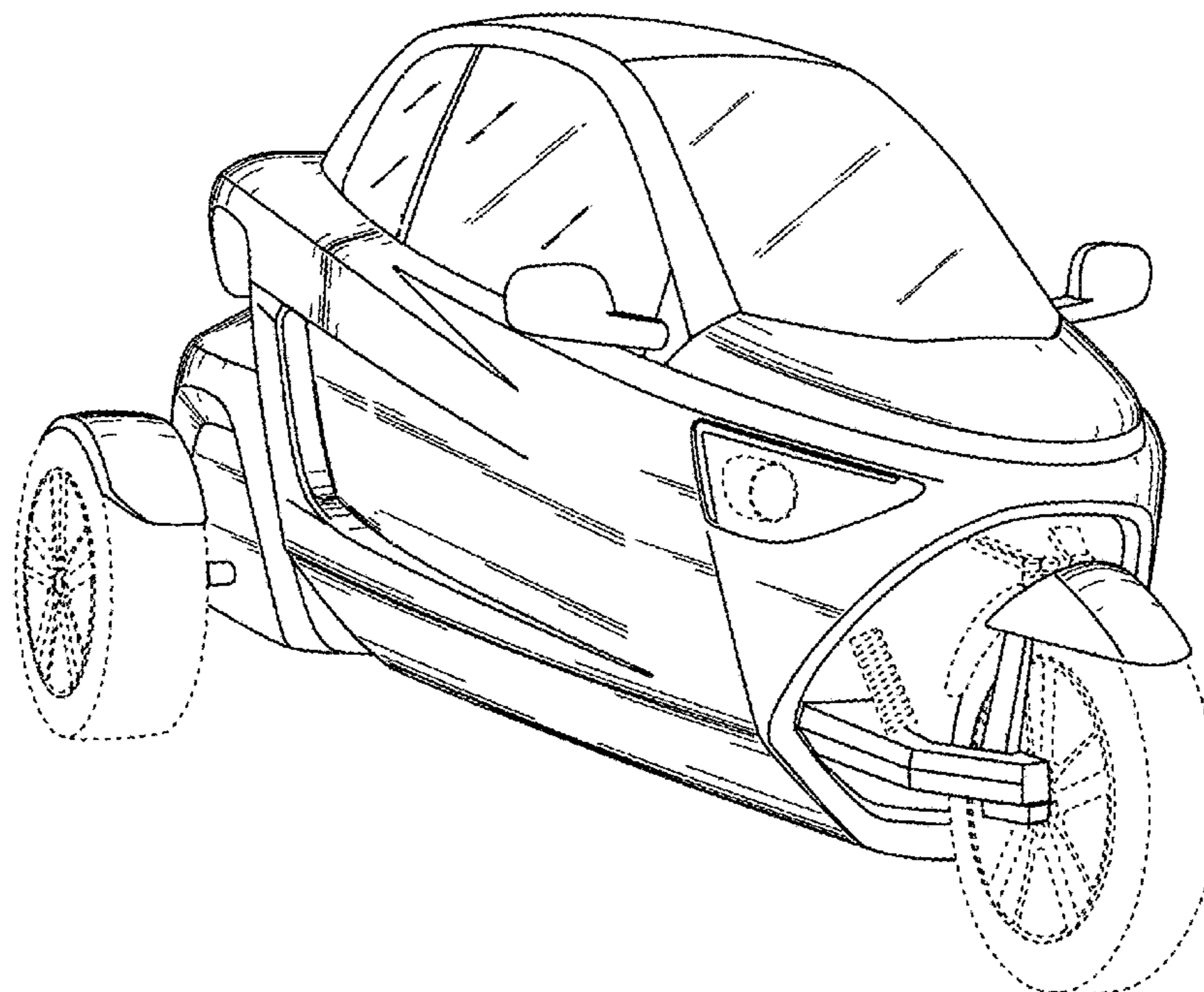
(57) **CLAIM**

The ornamental design for a three-wheeled vehicle, as shown and described.

DESCRIPTION

FIG. 1 is a top, front, and right side perspective view of a three-wheeled vehicle showing my new design;
FIG. 2 is a top, front, and left side perspective view thereof;
FIG. 3 is a front elevation view thereof;
FIG. 4 is a left side elevation view thereof;
FIG. 5 is a right side elevation view thereof; and,
FIG. 6 is a top plan view thereof.
The broken lines in the drawings illustrate portions of the three-wheeled vehicle that form no part of the claimed design.

1 Claim, 6 Drawing Sheets



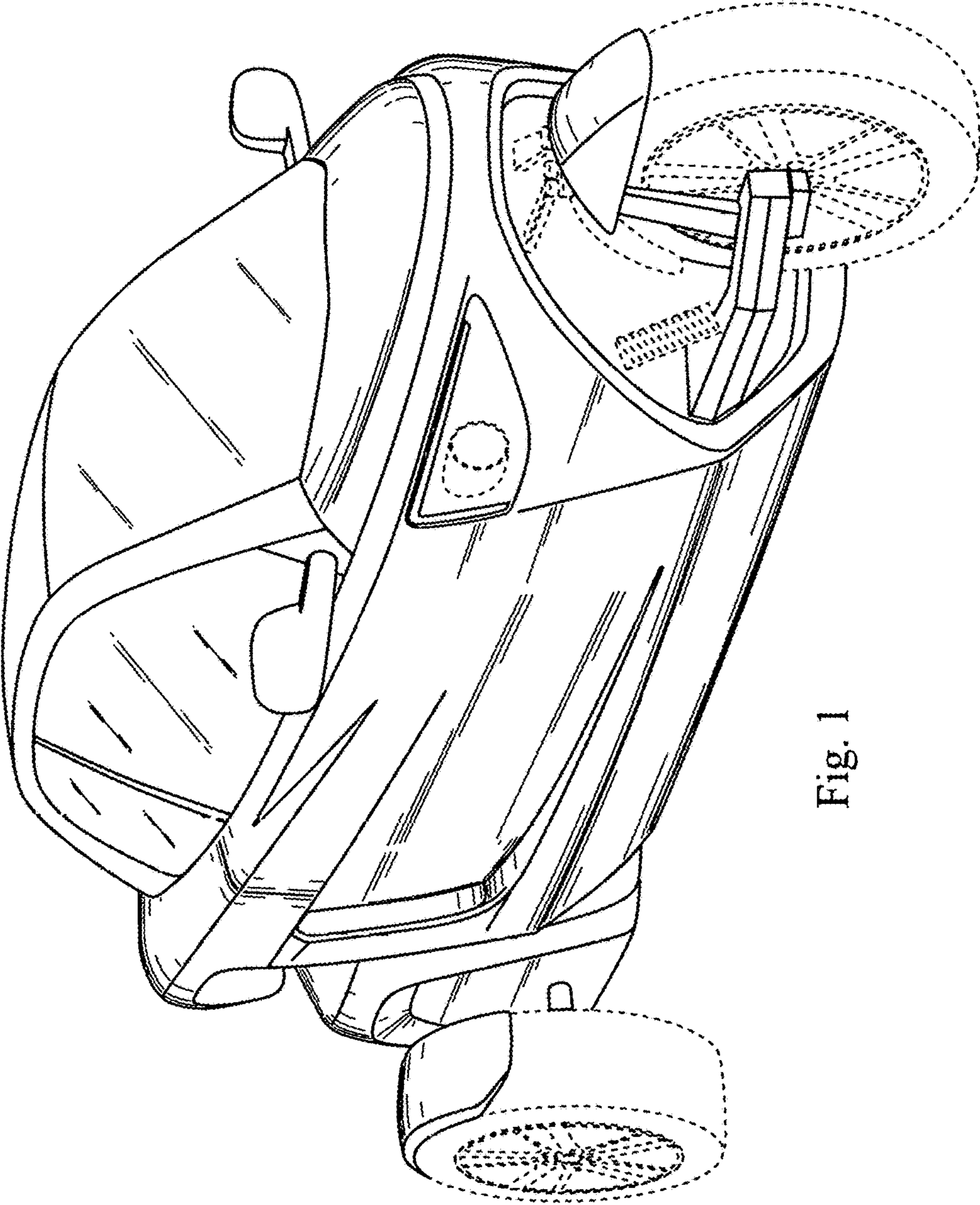


Fig. 1

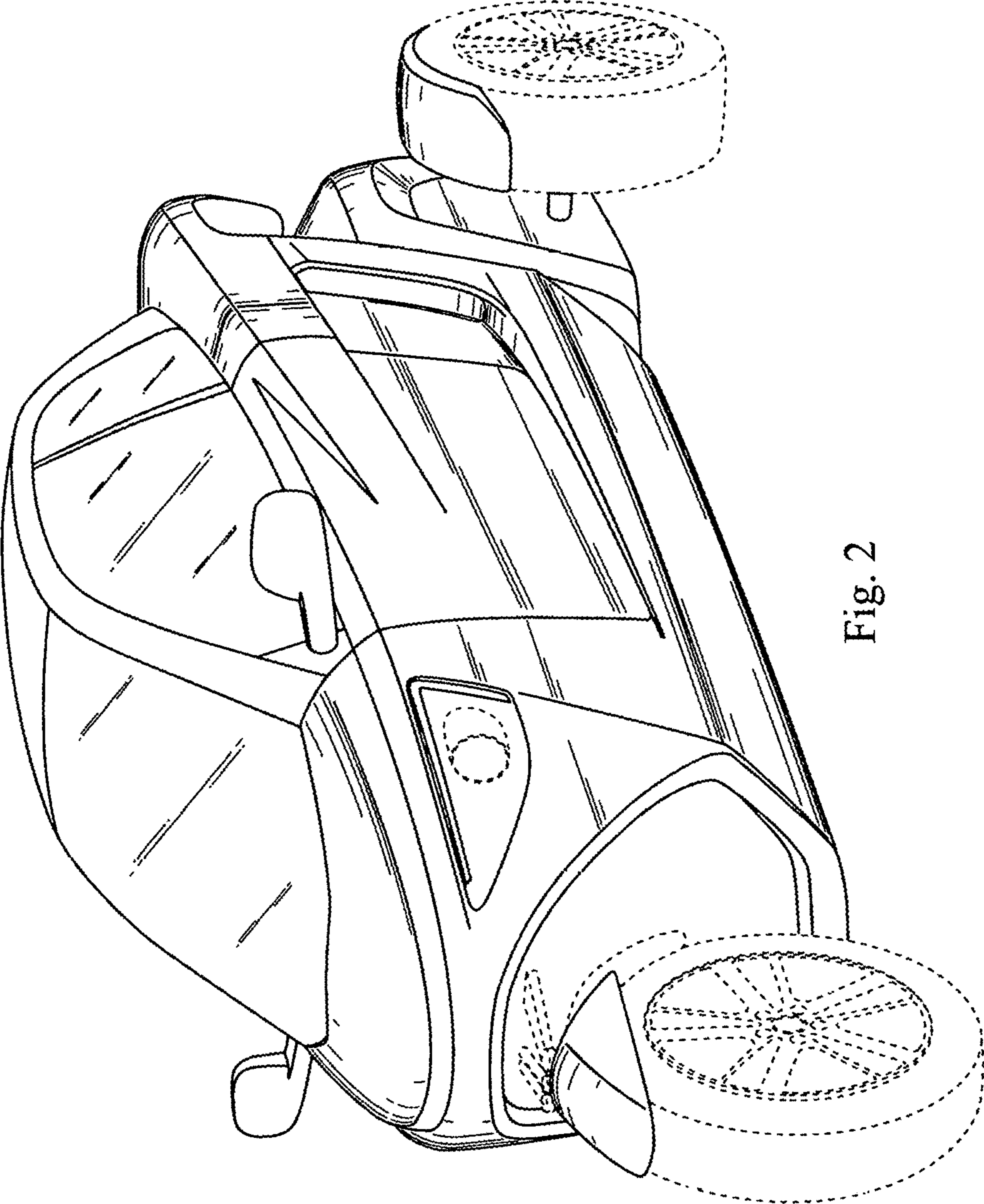


Fig. 2

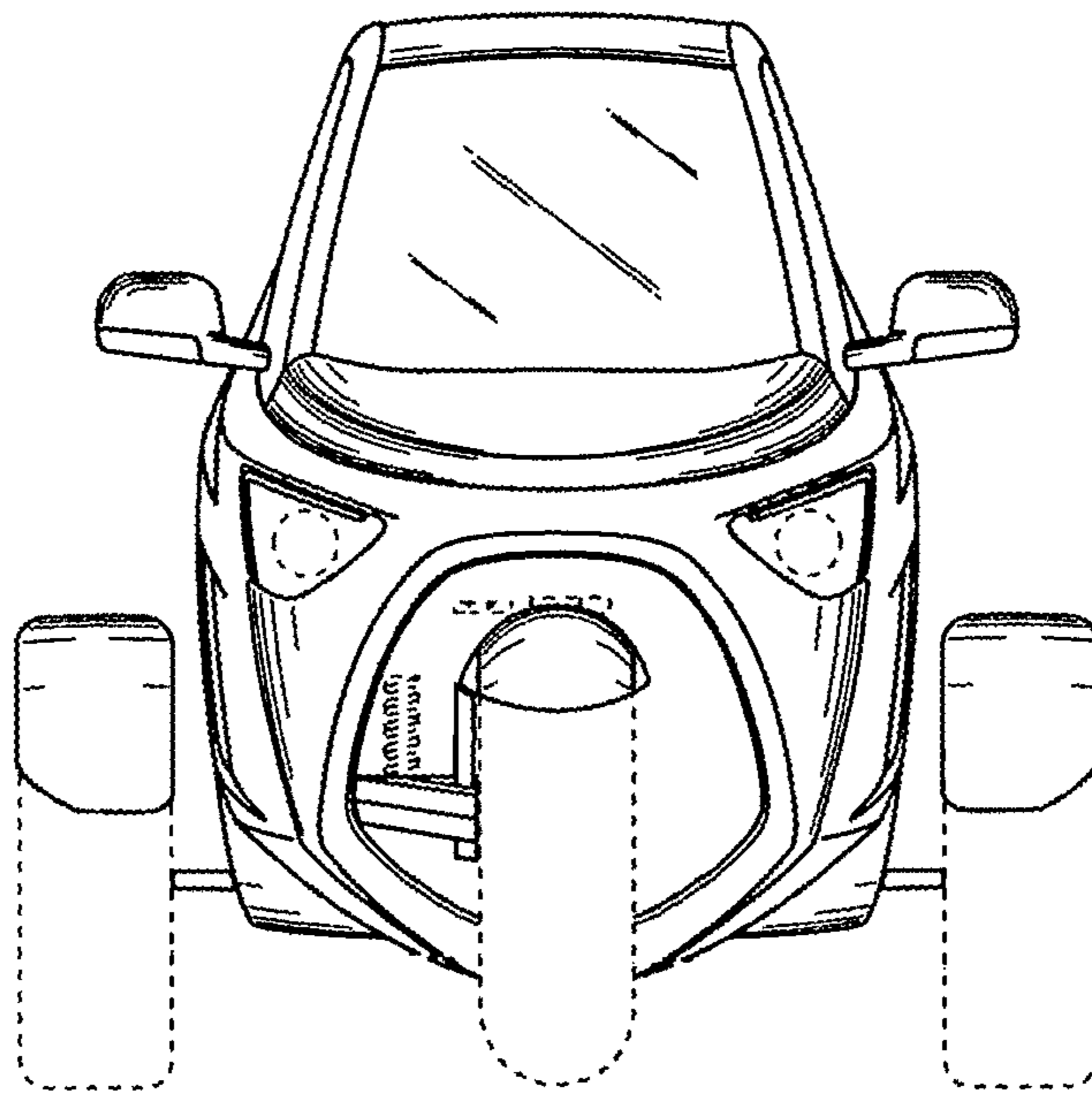


Fig. 3

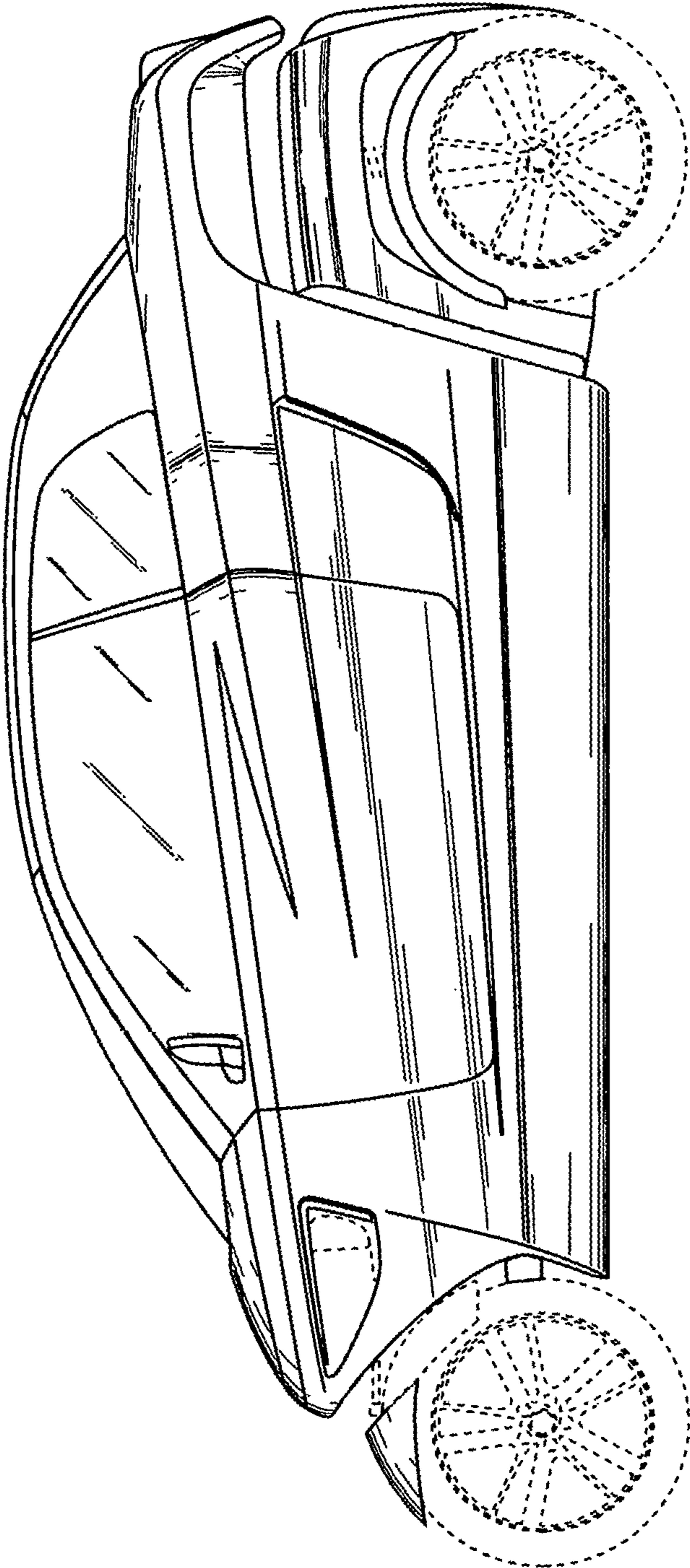


Fig. 4

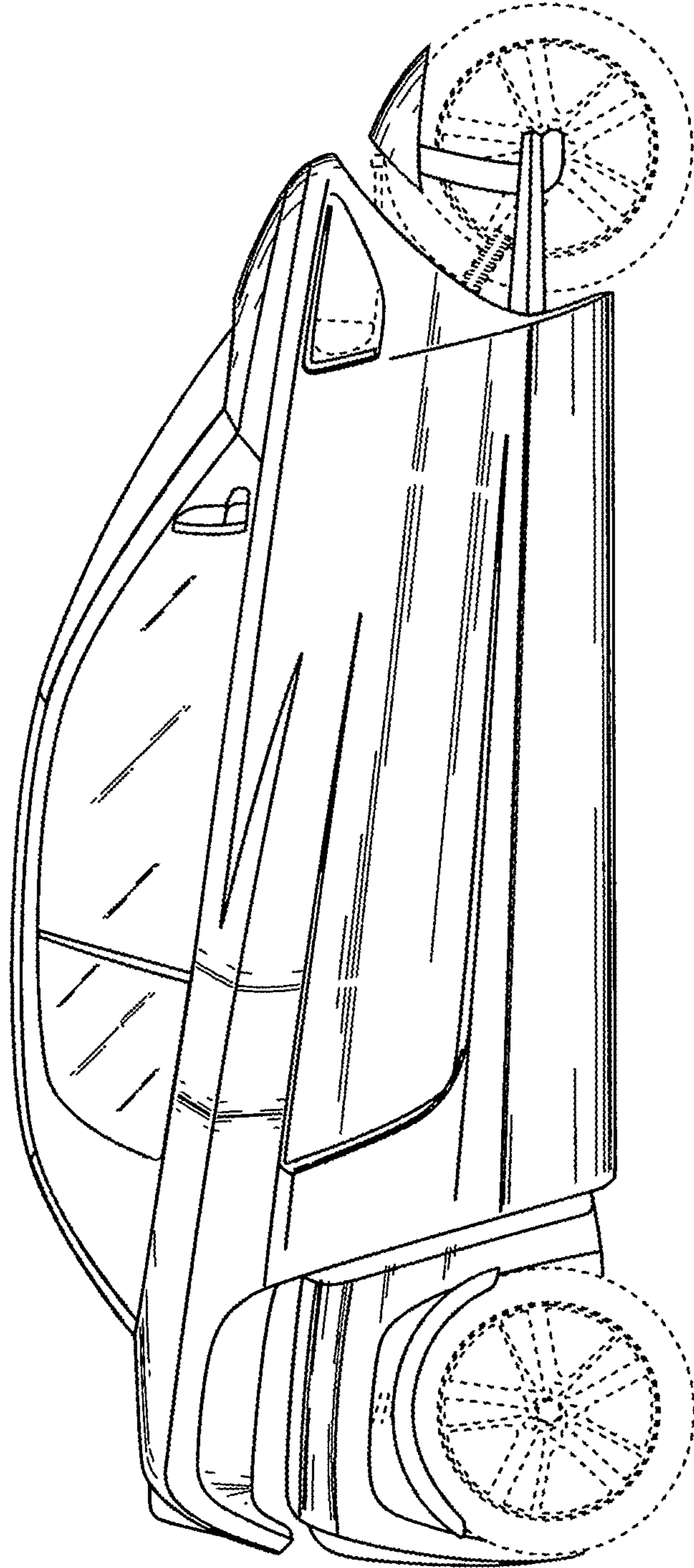


Fig. 5

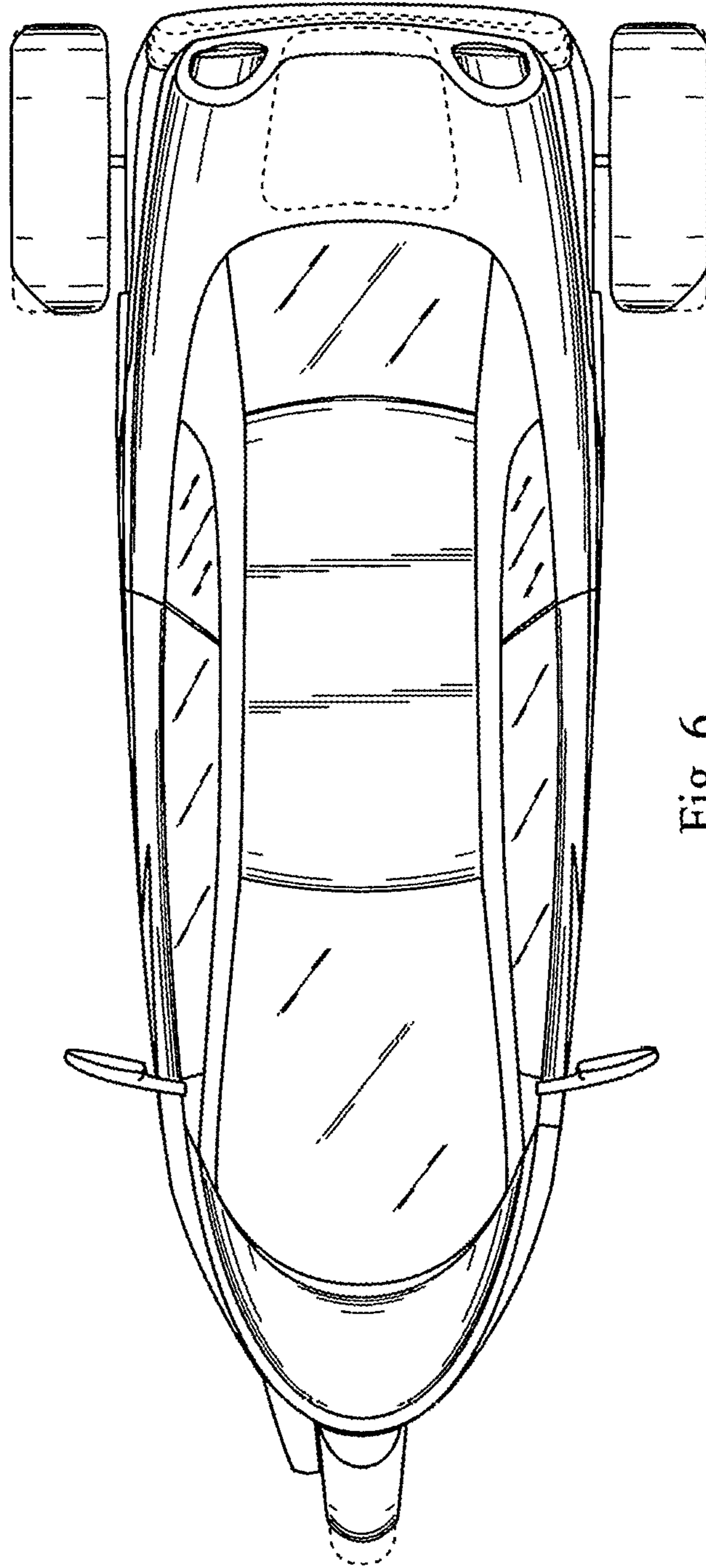


Fig. 6