



US00D824804S

(12) **United States Design Patent**
Tian

(10) **Patent No.:** **US D824,804 S**

(45) **Date of Patent:** **** Aug. 7, 2018**

(54) **HYBRID VTOL FIXED-WING DRONE**

(71) Applicant: **Yu Tian**, Hong Kong (HK)

(72) Inventor: **Yu Tian**, Hong Kong (HK)

(**) Term: **15 Years**

(21) Appl. No.: **29/609,928**

(22) Filed: **Jul. 6, 2017**

(51) **LOC (11) Cl.** **12-07**

(52) **U.S. Cl.**
USPC **D12/16.1; D12/326**

(58) **Field of Classification Search**
USPC D12/16.1, 319-345; D21/436, 441, 442,
D21/443, 444, 447-454
CPC B64C 2201/141; B64C 39/024; B64C
2201/127
See application file for complete search history.

(56) **References Cited**

U.S. PATENT DOCUMENTS

D102,870 S *	1/1937	Brethen et al.	D21/450
D119,714 S *	3/1940	Hibbard et al.	244/13
D195,794 S *	7/1963	Danelk	D12/330
D196,213 S *	9/1963	Paxhia	D12/330
D204,108 S *	3/1966	Peterson	D12/330
3,258,228 A *	6/1966	Crook	B64D 5/00 244/2
3,499,620 A *	3/1970	Sturm	B64C 29/0033 244/12.4
3,520,502 A *	7/1970	Smethers, Jr.	B64D 5/00 104/103
D239,522 S *	4/1976	Wheatley	D12/335
D392,937 S *	3/1998	Brichard	D12/319
D430,529 S *	9/2000	Hajek	D12/319
D596,267 S *	7/2009	Colgren	D12/319
D628,528 S *	12/2010	Cabezas Carrasco	D12/319
8,544,787 B2 *	10/2013	Lee	B64C 29/0033 244/12.4
D712,310 S *	9/2014	Gundlach	D12/16.1

D717,227 S *	11/2014	Herzberger	D12/324
D733,029 S *	6/2015	Dutertre	D12/319
D743,868 S *	11/2015	Cummings	D12/328
D763,733 S *	8/2016	Gattelli	D12/16.1
D795,160 S *	8/2017	Koppenwallner	D12/343
D795,784 S *	8/2017	Guo	D12/328
D813,143 S *	3/2018	Belik	D12/326
D816,583 S *	5/2018	Dutertre	D12/328

(Continued)

Primary Examiner — Brandon Michael Rosati

Assistant Examiner — Marissa J Cash

(74) *Attorney, Agent, or Firm* — WPAT, P.C., Intellectual Property Attorneys; Anthony King

(57) **CLAIM**

The ornamental design for a hybrid VTOL fixed-wing drone, as shown and described.

DESCRIPTION

FIG. 1 is a perspective top view of the hybrid VTOL fixed-wing drone;

FIG. 2 is a top view of the hybrid VTOL fixed-wing drone of FIG. 1;

FIG. 3 is a bottom view of the hybrid VTOL fixed-wing drone of FIG. 1,

FIG. 4 is a right view of the hybrid VTOL fixed-wing drone of FIG. 1; the left side view being a mirror image thereof;

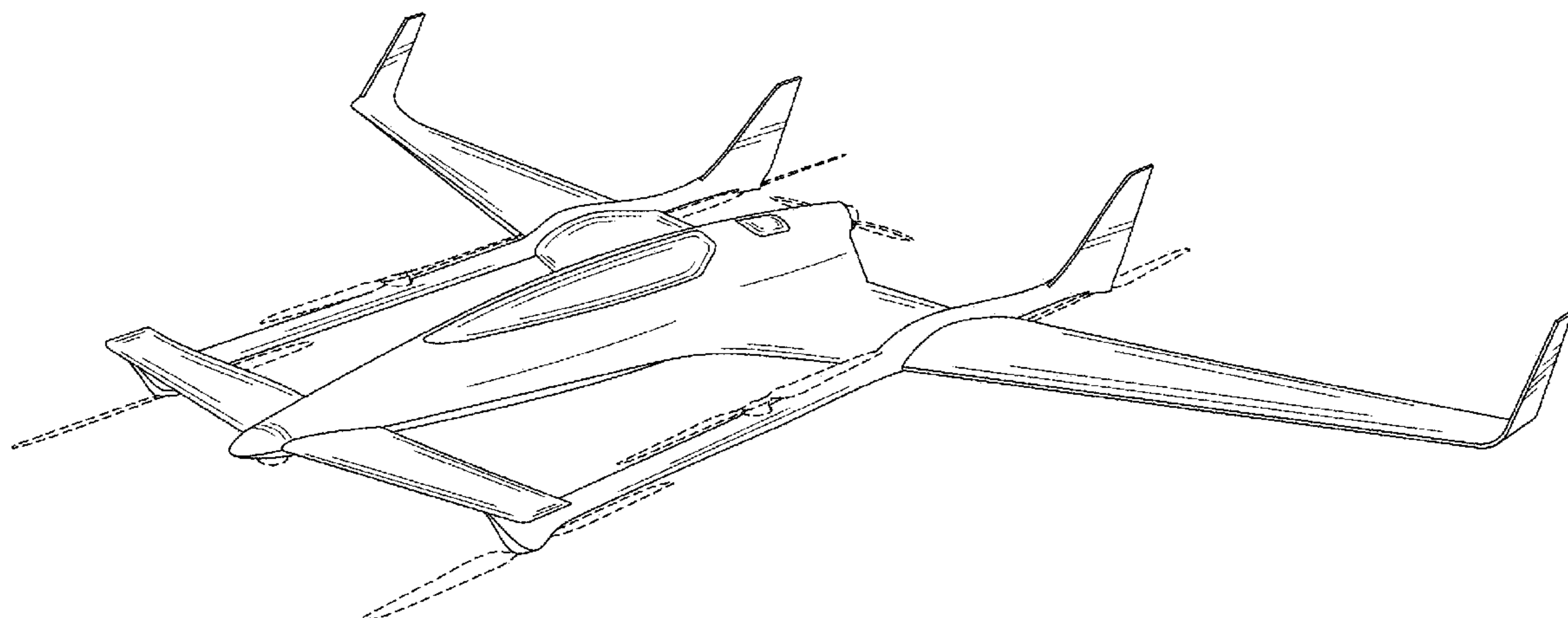
FIG. 5 is a left view of the hybrid VTOL fixed-wing drone of FIG. 1; the right side view being a mirror image thereof;

FIG. 6 is a front view of the hybrid VTOL fixed-wing drone of FIG. 1; and,

FIG. 7 is a back view of the hybrid VTOL fixed-wing drone of FIG. 1.

The broken line showing of portions of the hybrid VTOL fixed-wing drone depicts environment and forms no part of the claim.

1 Claim, 7 Drawing Sheets



(56)

References Cited

U.S. PATENT DOCUMENTS

2008/0142643 A1* 6/2008 Yoeli B60V 1/06
244/23 R
2010/0243821 A1* 9/2010 Lim B64C 27/08
244/7 A
2013/0221158 A1* 8/2013 Binkholder B64D 7/08
244/137.4
2014/0339372 A1* 11/2014 Dekel B64C 29/0033
244/7 R
2015/0314867 A1* 11/2015 Razroev B64C 29/0033
244/119

* cited by examiner

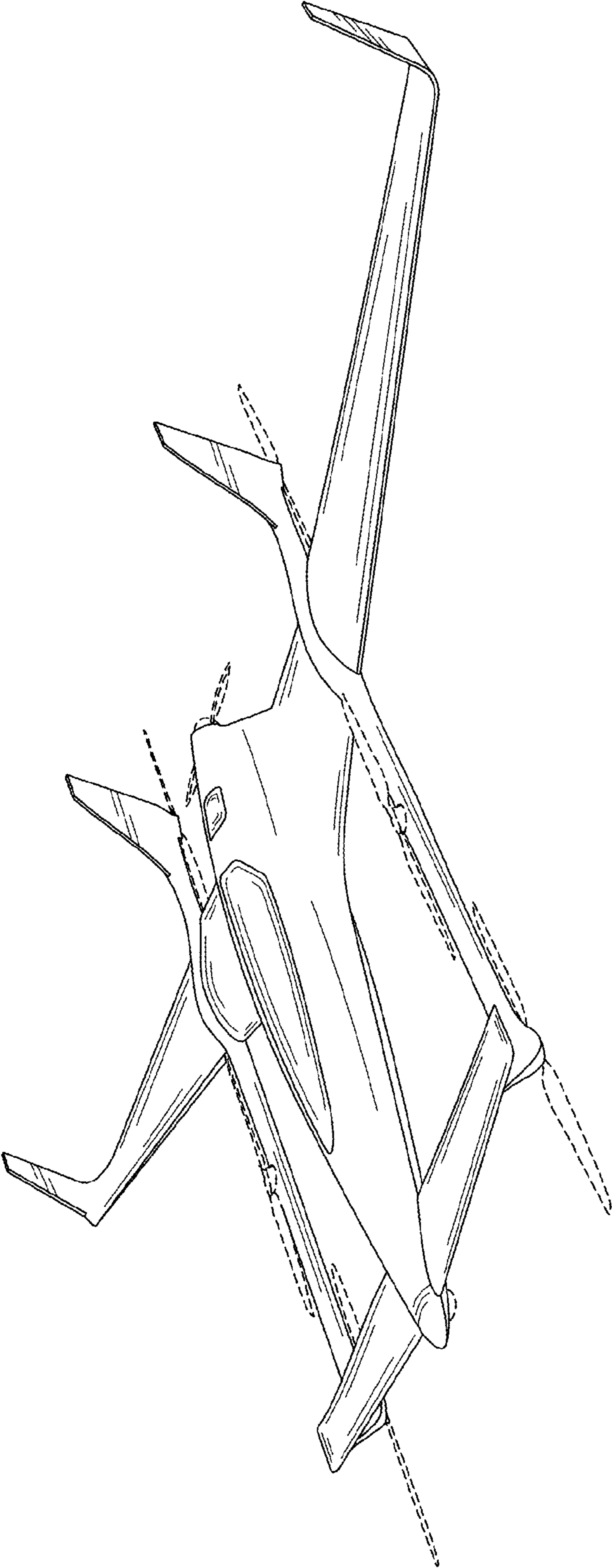


FIG. 1

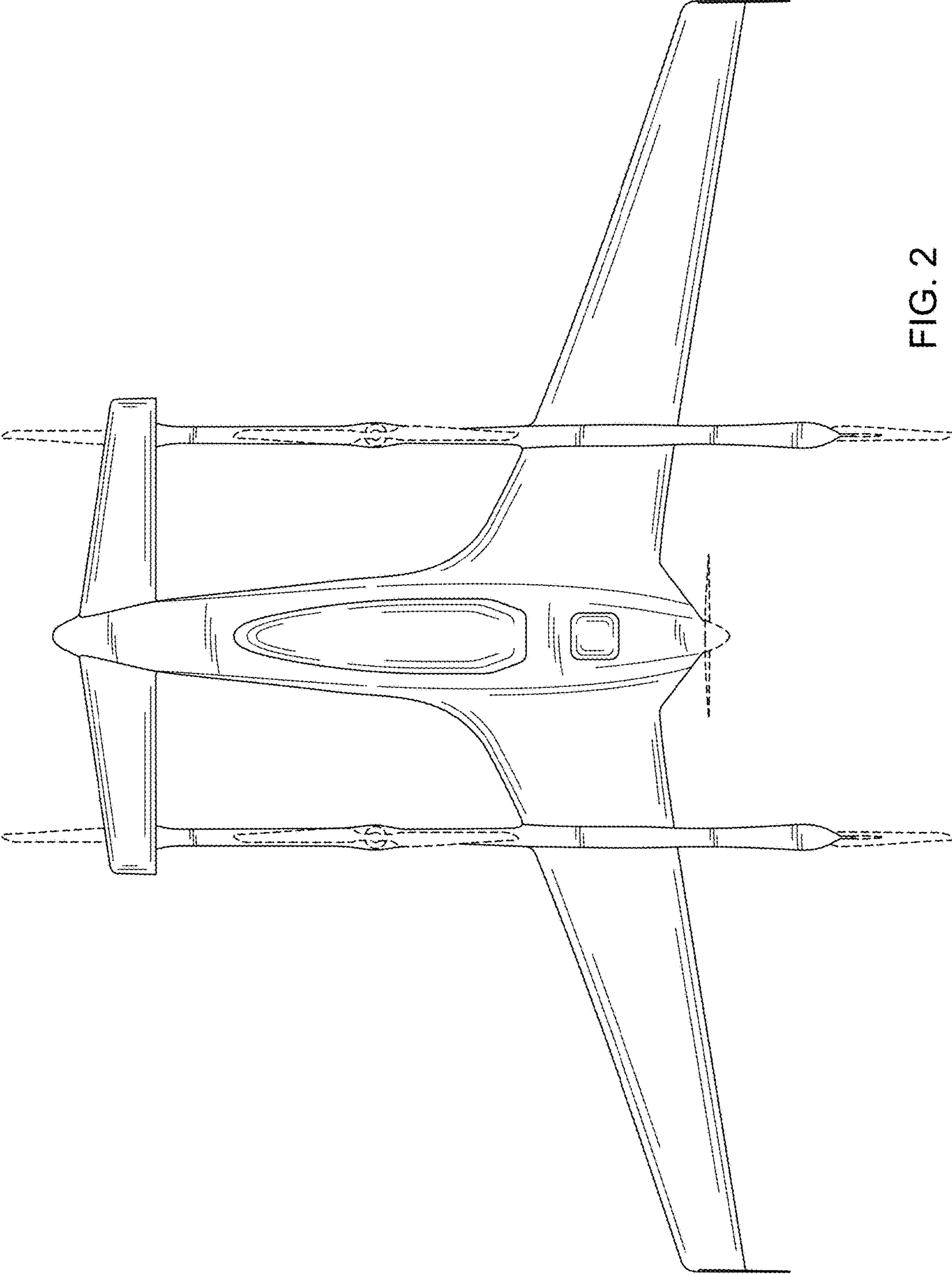


FIG. 2

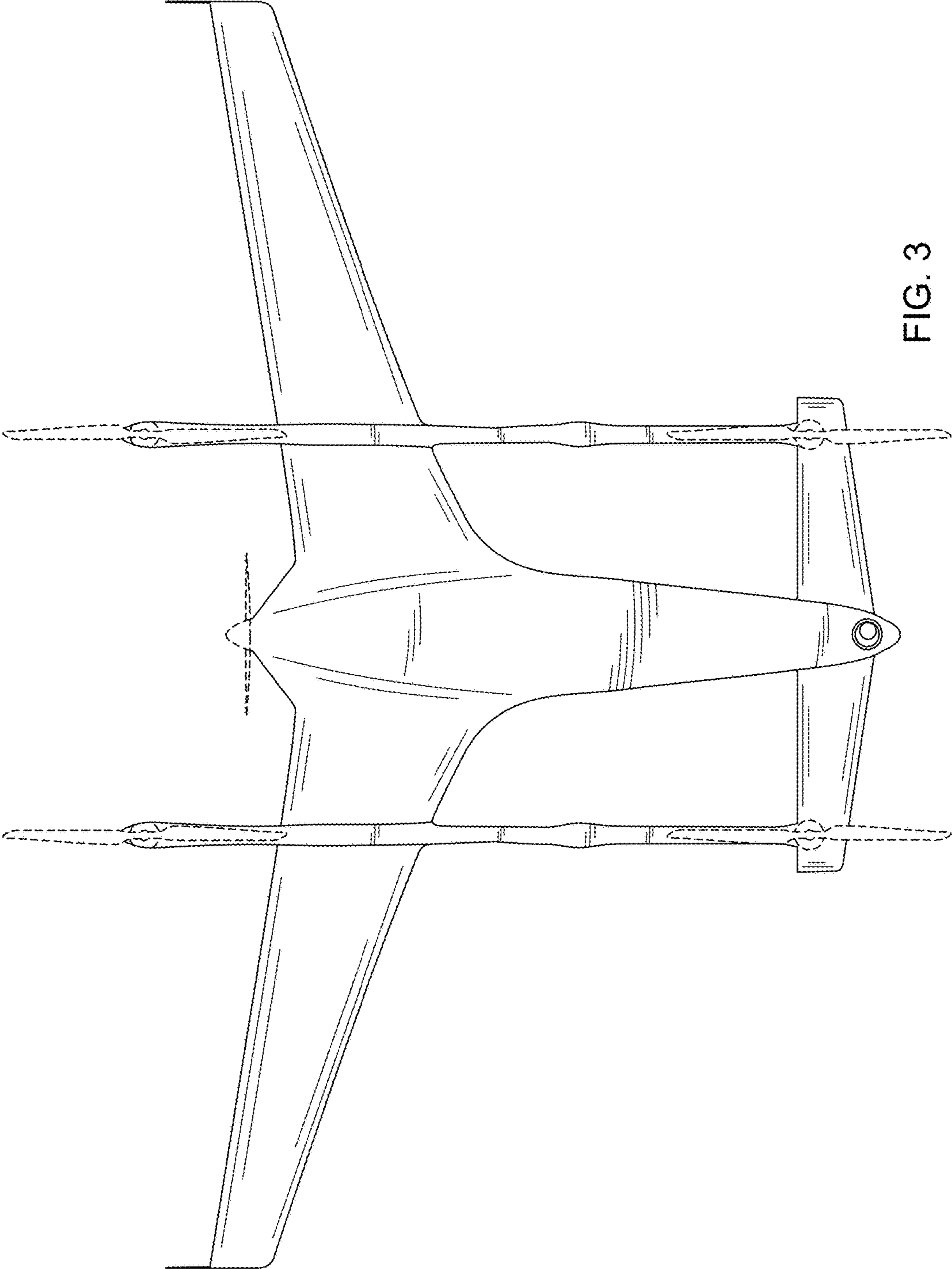


FIG. 3

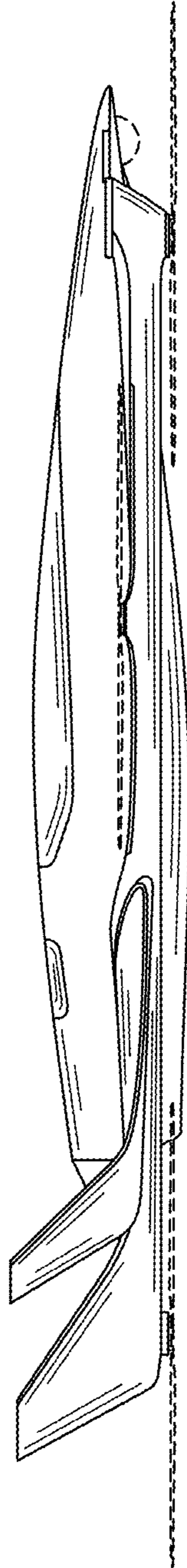


FIG. 4

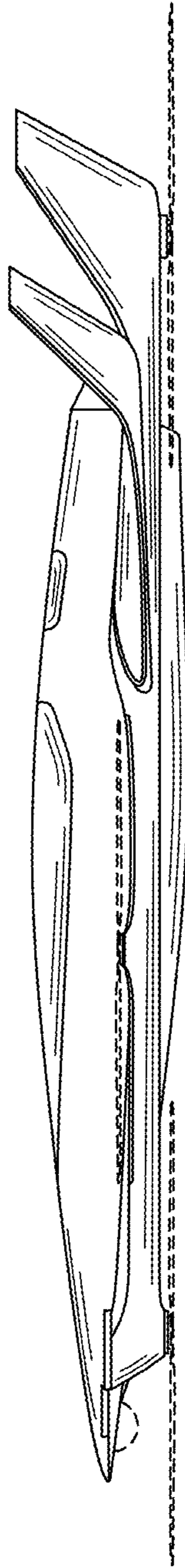


FIG. 5

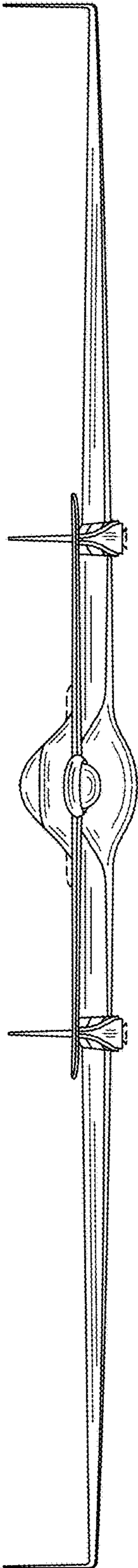


FIG. 6

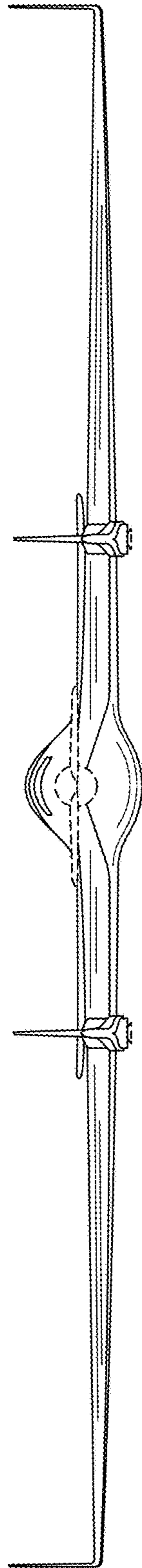


FIG. 7