

US00D824800S

(12) **United States Design Patent**
Blume

(10) **Patent No.:** **US D824,800 S**

(45) **Date of Patent:** **** Aug. 7, 2018**

(54) **BUCKLE**

(71) Applicant: **Kristopher T Blume**, Tucson, AZ (US)

(72) Inventor: **Kristopher T Blume**, Tucson, AZ (US)

(**) Term: **15 Years**

(21) Appl. No.: **29/573,778**

(22) Filed: **Aug. 9, 2016**

(51) **LOC (11) Cl.** **02-07**

(52) **U.S. Cl.**

USPC **D11/200**

(58) **Field of Classification Search**

USPC D11/200–219, 1–2; 24/163 R, 169–171,
24/173, 177–179, 191, 194–195, 197,
24/200, 614–616, 625, 198, 630, 578.1,
24/163 K, 114; D8/16–20, 45, 105, 349,
D8/363, 366, 370–377, 380–382, 356,
D8/358, 359, 395, 578; D2/639; D3/24;
D15/16; 242/118.7, 542.4, 160.4, 366,
242/400, 370, 400.1; D10/61, 62;
33/414, 413

CPC A44B 11/26; A44B 11/25; A44B 11/06;
A45F 2200/0575; G01B 5/18; H02G
11/02; B65H 75/4476; B65H 2701/353;
B65H 75/241; B65H 75/28; E04G
21/1825

See application file for complete search history.

(56) **References Cited**

U.S. PATENT DOCUMENTS

1,853,889 A * 4/1932 Alterson A44B 11/04
24/312
2,099,199 A * 11/1937 Devendor A44B 11/04
2/268
2,212,862 A * 8/1940 Hirsh A44B 11/04
2/268
2,293,562 A * 8/1942 Rosenthal A44B 11/04
24/200

D266,479 S * 10/1982 Hayakawa D8/17
D350,712 S * 9/1994 D'Ambrosio D11/218
D356,658 S * 3/1995 Bernart D2/624
5,432,985 A * 7/1995 Bernart A44B 11/04
24/200
D445,723 S * 7/2001 Kim D11/218
D447,091 S * 8/2001 Fildan D11/210
D511,122 S * 11/2005 Hurn D11/210
D612,765 S * 3/2010 Fildan D11/200
D622,178 S * 8/2010 Kelleghan D11/201
D666,525 S * 9/2012 Anderson D11/210
D666,526 S * 9/2012 Iannello D11/210
D666,942 S * 9/2012 Iannello D11/210
8,713,735 B1 * 5/2014 Pelton B26B 11/006
7/138
D707,091 S * 6/2014 Barr D8/16
D737,173 S * 8/2015 Kelleghan D11/201

(Continued)

OTHER PUBLICATIONS

Five Star Gear Multi-Purpose Survival Tool Stainless Steel,
MidwayUSA.com, [online], [site visited Nov. 7, 2017]. <URL:
<https://www.midwayusa.com/product/1015477026/five-star-gear-multi-purpose-survival-tool-stainless-steel>> (Year: 2017).*

(Continued)

Primary Examiner — T. Chase Nelson

Assistant Examiner — Jonathan J. Han

(74) *Attorney, Agent, or Firm* — Invention to Patent
Services; Alex Hobson

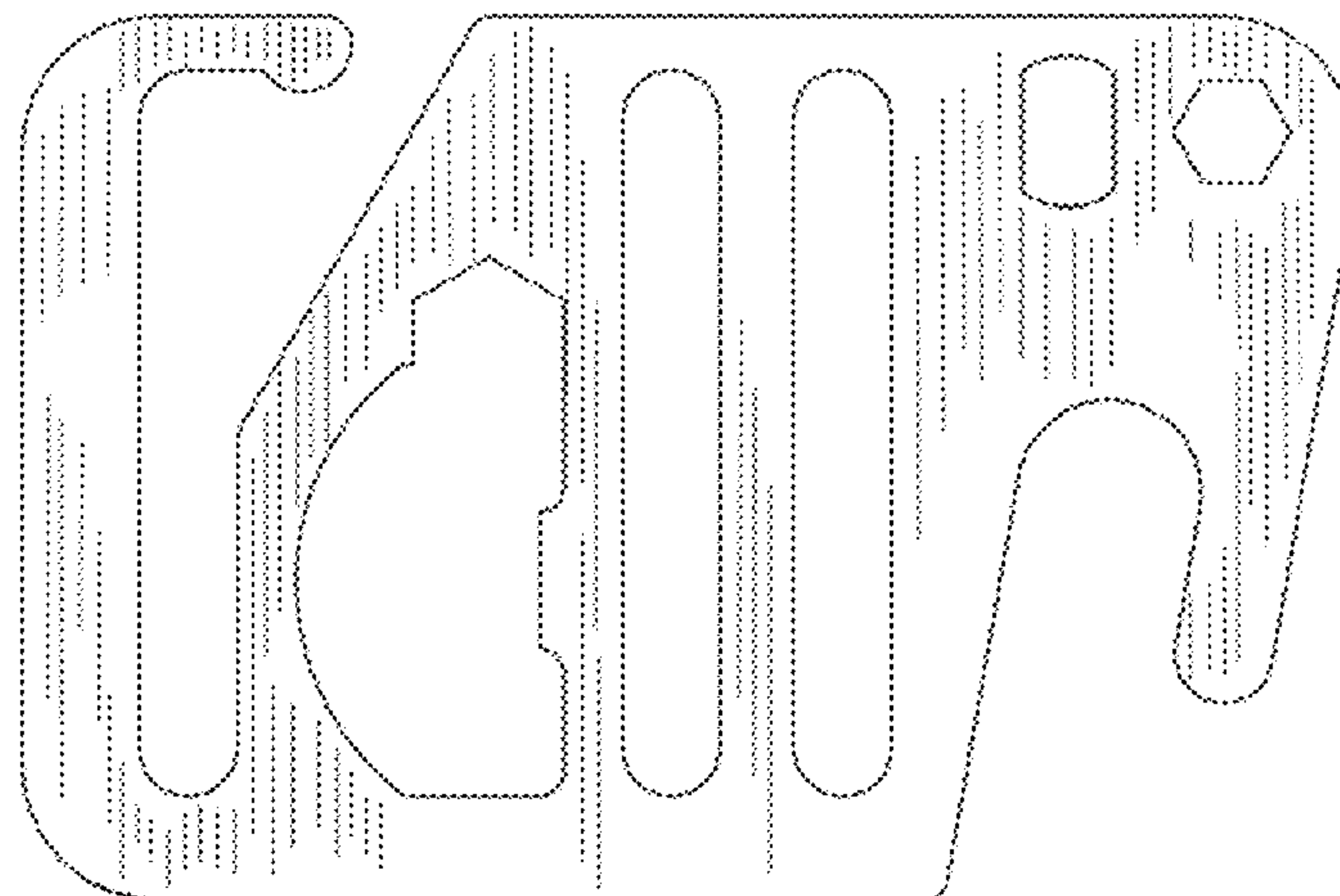
(57) **CLAIM**

The ornamental design for buckle, as shown and described.

DESCRIPTION

FIG. 1 is a top view of the buckle;
FIG. 2 is a left-end view the buckle;
FIG. 3 is a right-end view buckle;
FIG. 4 is a bottom view of the buckle; and,
FIG. 5 is a cross-sectional view along line 5-5 in FIG. 4.

1 Claim, 2 Drawing Sheets



(56)

References Cited

U.S. PATENT DOCUMENTS

D744,373 S * 12/2015 Badgett D11/210
9,302,383 B2 * 4/2016 Barr B25F 1/00
D756,178 S * 5/2016 Kelleghan D2/639
9,380,838 B2 * 7/2016 Iannello A45F 5/00
D764,348 S * 8/2016 Paik D11/216
D772,678 S * 11/2016 Haarburger D8/105
D782,364 S * 3/2017 Nykoluk D11/218
D792,749 S * 7/2017 Faro D8/19
2005/0066484 A1 * 3/2005 Hurn A44B 11/04
24/321

OTHER PUBLICATIONS

MOTA Ultimate Pocket Tool, OfficeDepot.com, [online], [site visited Nov. 7, 2017]. <URL: <https://www.officedepot.com/a/products/408162/MOTA-Ultimate-Pocket-Tool-18-in/>> (Year: 2017).*

Lever Gear Money Clips Pack 40 Tools into One Slim Design, TrendHunter.com, by: Michael Hemsworth—Mar 11, 2016, [online], [site visited Nov. 7, 2017]. <URL: <https://www.trendhunter.com/trends/money-clips>> (Year: 2016).*

ITW G-Hook Waveloc Black, Amazon.com, [online], [site visited Nov. 7, 2017]. <URL: https://www.amazon.com/ITW-ITW883B-G-Hook-Waveloc-Black/dp/B004QB81U0/ref=pd_lpo_vtph_468_lp_t_2?_encoding=UTF8&psc=1&refRID=TWBKC8DACHX6RG28ZFPT> (Year: 2017).*

* cited by examiner

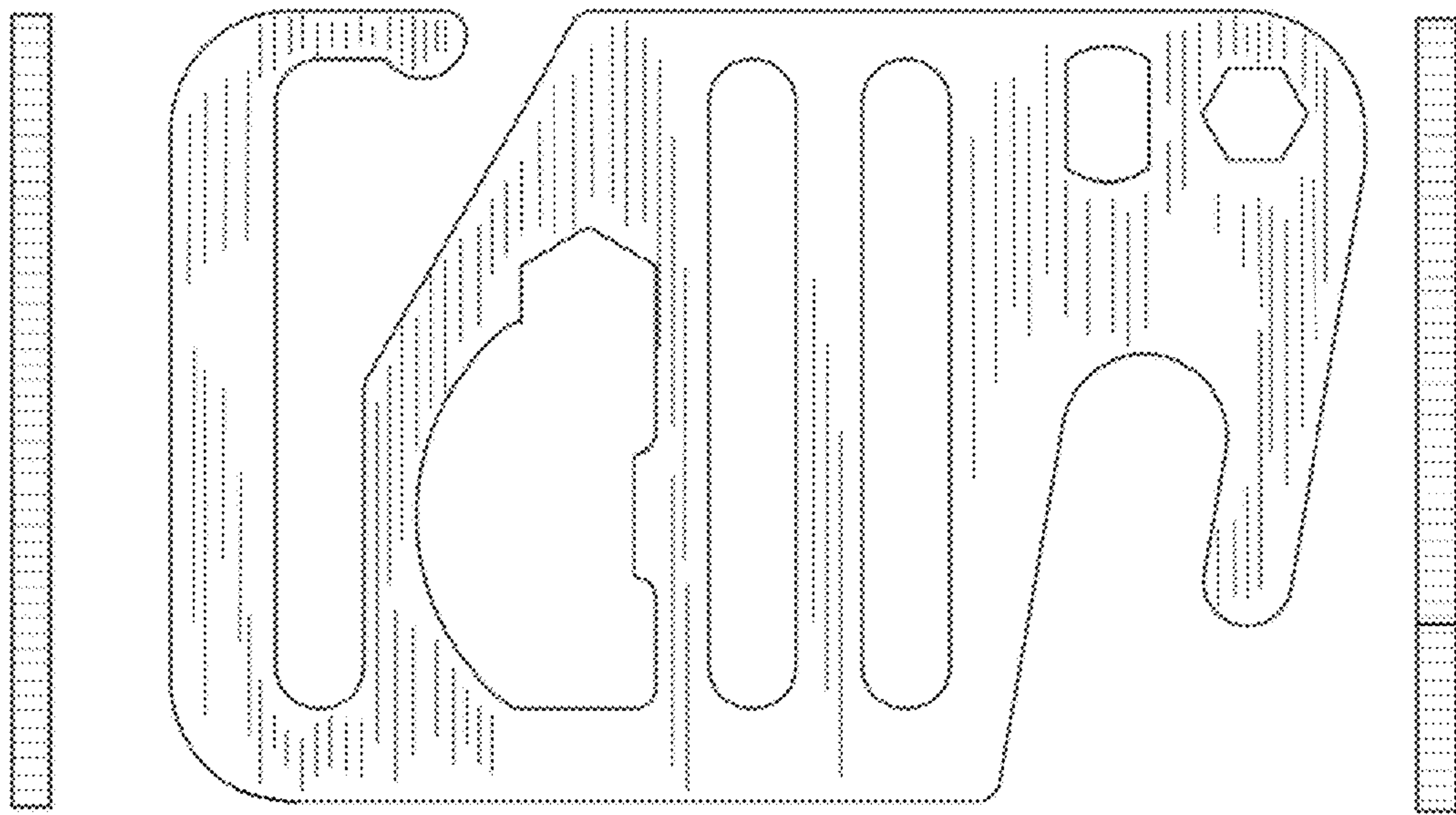


FIG. 2

FIG. 1

FIG. 3

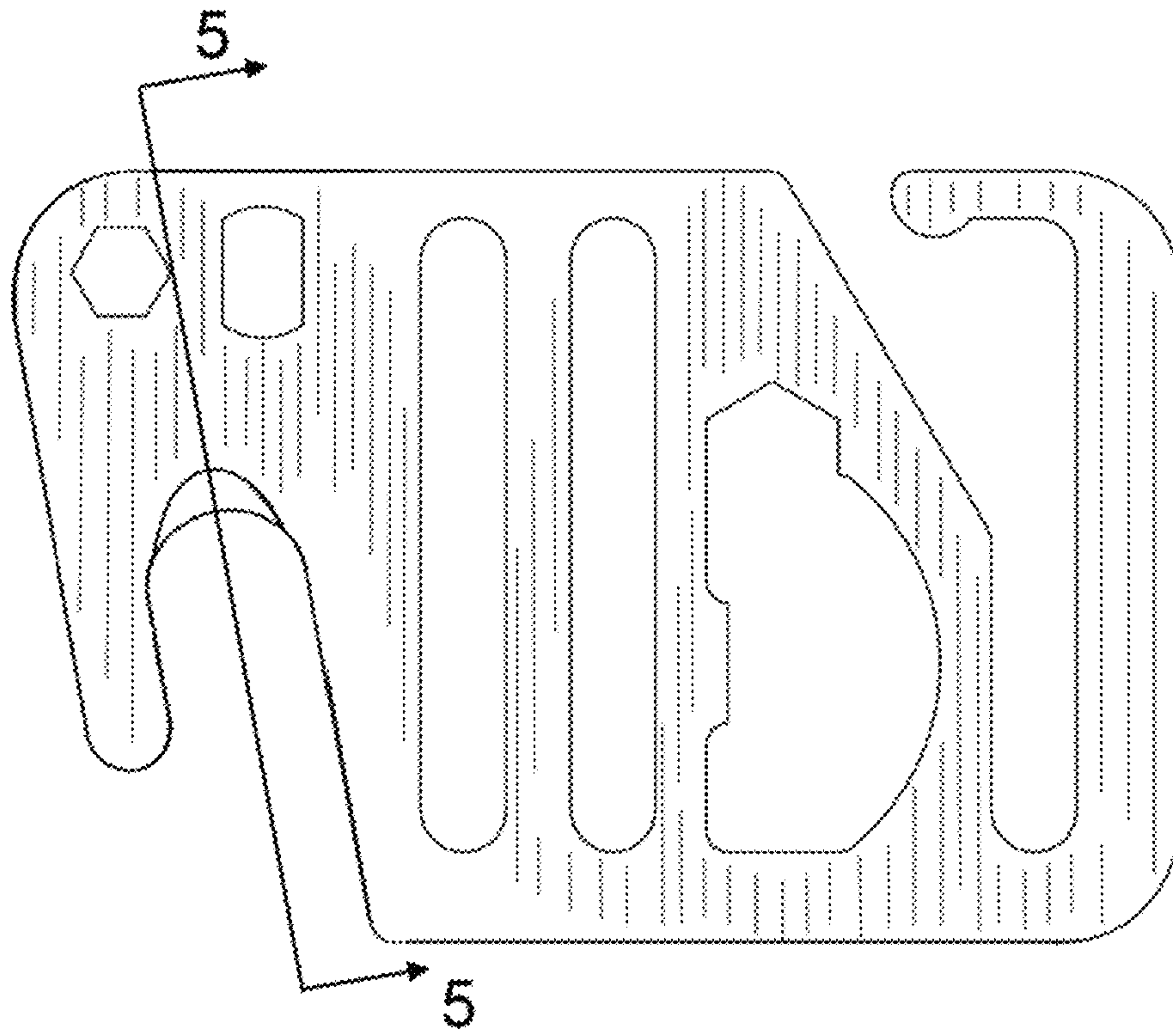


FIG. 4

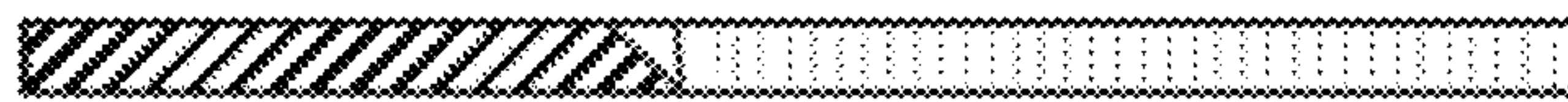


FIG. 5