

US00D824795S

(12) **United States Design Patent** (10) **Patent No.:** **US D824,795 S**
Pandolfino (45) **Date of Patent:** **** Aug. 7, 2018**

(54) **NECKWEAR TO HOUSE AND DISPLAY METALLIC BARS**

Primary Examiner — Melanie Sue Pellegrini
(74) *Attorney, Agent, or Firm* — Sughrue Mion, PLLC

(71) Applicant: **PATUGA LLC**, Clarence, NY (US)
(72) Inventor: **Joseph Pandolfino**, Clarence, NY (US)
(73) Assignee: **PATUGA LLC**, Clarence, NY (US)
(**) Term: **15 Years**

(57) **CLAIM**

The ornamental design for neckwear to house and display metallic bars, as shown and described.

(21) Appl. No.: **29/629,735**
(22) Filed: **Dec. 15, 2017**
(51) **LOC (11) Cl.** **11-01**
(52) **U.S. Cl.**
USPC **D11/79; D2/605; D11/1**
(58) **Field of Classification Search**
USPC D11/1, 2, 3, 7, 8, 12, 19, 40–54, 79–86,
D11/87, 91, 92, 93; D3/207; D6/300;
D2/600–609, 627, 633, 637
(Continued)

DESCRIPTION

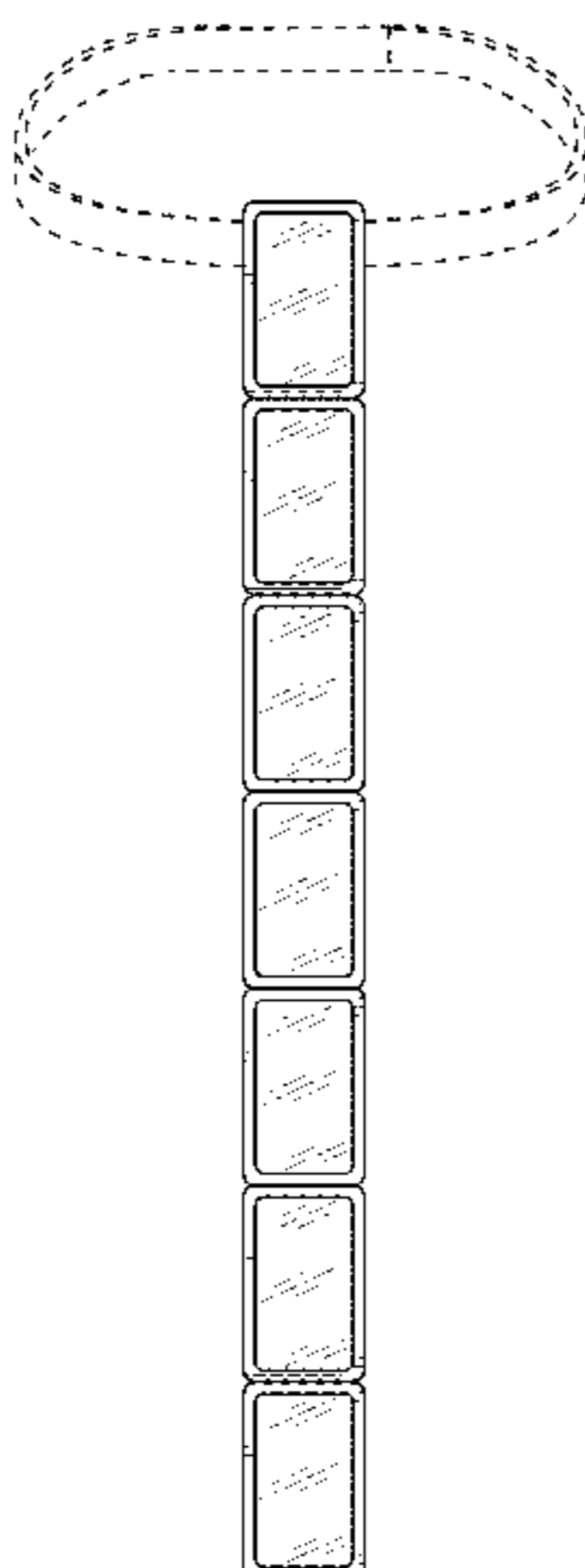
FIG. 1 is a front view of a first embodiment of neckwear to house and display metallic bars showing my new design; FIG. 2 is a rear view thereof; FIG. 3 is a right side view thereof; FIG. 4 is a left side view thereof; FIG. 5 is a top view thereof; FIG. 6 is a bottom view thereof; FIG. 7 is a front perspective view thereof; FIG. 8 is a front view of a second embodiment of neckwear to house and display metallic bars showing my new design; FIG. 9 is a rear view thereof; FIG. 10 is a right side view thereof; FIG. 11 is a left side view thereof; FIG. 12 is a top view thereof; FIG. 13 is a bottom view thereof; FIG. 14 is a front perspective view thereof; FIG. 15 is a front view of a third embodiment of neckwear to house and display metallic bars showing my new design; FIG. 16 is a rear view thereof; FIG. 17 is a right side view thereof; FIG. 18 is a left side view thereof; FIG. 19 is a top view thereof; FIG. 20 is a bottom view thereof; FIG. 21 is a front perspective view thereof; FIG. 22 is a front view of a fourth embodiment of neckwear to house and display metallic bars showing my new design; FIG. 23 is a rear view thereof; FIG. 24 is a right side view thereof; FIG. 25 is a left side view thereof; FIG. 26 is a top view thereof; FIG. 27 is a bottom view thereof; and, FIG. 28 is a front perspective view thereof.

(56) **References Cited**
U.S. PATENT DOCUMENTS
D4,543 S * 12/1870 Haldron et al. D11/12
248,785 A * 10/1881 Pardee A44C 17/02
63/23
(Continued)

FOREIGN PATENT DOCUMENTS
AT 389630 B 1/1990
CN 2888922 Y 4/2007
(Continued)

OTHER PUBLICATIONS
[online] https://www.etsy.com/listing/531954734/dapper-silverblackgold-tie-parallel?ref=shop_home_active_36. Retrieved Mar. 18, 2018.*
(Continued)

(Continued)



The broken lines shown in the drawings illustrate portions of the neckwear to house and display metallic bars that form no part of the claimed design.

1 Claim, 16 Drawing Sheets

(58) **Field of Classification Search**

CPC .. A44C 1/00; A44C 3/00; A44C 3/004; A44C 3/005; A44C 3/007; A44C 3/008; A44C 5/02; A44C 7/002; A44C 25/00; A44C 25/001; A44C 25/002; A44C 25/004; A44C 25/005; A44C 25/007; A41D 23/00; A41D 25/00; A41D 25/003; A41D 25/004; A41D 25/005; A41D 25/008; A41D 25/02; A41D 25/06

See application file for complete search history.

(56) **References Cited**

U.S. PATENT DOCUMENTS

D31,545 S * 9/1899 French D11/13
 D55,788 S * 7/1920 Griffin D11/6
 1,626,139 A * 4/1927 Kraysler A44C 5/02
 16/229
 D78,958 S * 7/1929 Wewetzer D10/32
 D105,807 S * 8/1937 Raymond D11/121
 2,176,253 A * 10/1939 Fogarty A45C 13/42
 40/661.06
 2,378,755 A 6/1945 Dowling
 D156,650 S * 12/1949 Pearce et al. D11/12
 D161,798 S * 1/1951 Spielmann D2/605
 D171,744 S 3/1954 Augenstein
 D178,725 S * 9/1956 Flynn D2/637
 3,127,302 A * 3/1964 Bunting A63H 33/22
 206/486
 D203,059 S * 11/1965 Maroun D11/7
 D249,339 S * 9/1978 Coulthurst D11/79
 4,546,494 A 10/1985 Garber
 4,627,113 A 12/1986 Lord
 D301,520 S 6/1989 Campbell
 5,016,285 A * 5/1991 Just A41D 25/00
 2/144
 D318,754 S 8/1991 Hughes
 5,036,550 A 8/1991 Wilsey
 D320,499 S 10/1991 White et al.
 D322,227 S * 12/1991 Warhol D10/32
 5,238,528 A 8/1993 Heinrich
 D340,871 S * 11/1993 Iwamura D10/125
 D340,879 S 11/1993 French

D376,334 S 12/1996 Mougenot
 5,673,434 A 10/1997 Risk
 D398,435 S 9/1998 Gray
 D416,826 S * 11/1999 Newsome D11/121
 D437,471 S 2/2001 Harris
 D450,398 S * 11/2001 Chang D11/119
 D457,287 S * 5/2002 Geisen D2/608
 D485,779 S * 1/2004 Steckbeck D11/7
 D605,376 S * 12/2009 Dickerson D2/605
 D663,916 S 7/2012 Bracey
 D681,496 S * 5/2013 Goerges D11/26
 D714,178 S 9/2014 Sabbioni
 D748,370 S 2/2016 Johnson
 D774,122 S * 12/2016 Ganovsky D16/101
 D775,777 S 1/2017 Peral
 D776,555 S * 1/2017 Bryant D11/3
 D779,780 S * 2/2017 Bowers D2/605
 D808,846 S * 1/2018 Kwon D11/7
 D811,923 S * 3/2018 Bryant D11/3

FOREIGN PATENT DOCUMENTS

JP 2010-248641 A 11/2010
 WO 88/06414 A1 9/1988

OTHER PUBLICATIONS

[online] <http://sneakhype.com/accessories/2015/09/these-sophisticated-ties-are-made-from-yellow-gold-and-polymer.html>. Posted online Sep. 11, 2015. Retrieved Mar. 18, 2018.*
 Engineering Corner, <https://www.shapeways.com/product/MUT37CQWA/articulated-necktie-clips-on-to-your-top-button>; author and publication date unknown, retrieved prior to Jan. 25, 2018.
 The fusionguy, <https://thefusionguy.wordpress.com/category/wood-working/>; author and publication date unknown, retrieved prior to Jan. 25, 2018.
<http://woodknot.com/>; author and publication date unknown, retrieved prior to Jan. 25, 2018.
<http://www.jebiga.com/cams-wooden-ties-new-take-fashion/>; author and publication date unknown, retrieved prior to Jan. 25, 2018.
<https://www.vat19.com/item/wood-tie>; author and publication date unknown, retrieved prior to Jan. 25, 2018.
 Stoneforlife; https://www.etsy.com/listing/570676239/pave-diamond-rectangle-moonstone-charm?gpla=1&gao=1&utm_campaign=shopping_us_stoneforlife_sfc_osa&utm_medium=cpc&utm_source=google&utm_custom1=0&utm_content=16154542&—gclid=EAlalQobChMlh66Zo6_T2AlVxYqzCh3y3g50EAQYBCA BEgJOuPD_BwE; author and publication date unknown, retrieved prior to Jan. 25, 2018.

* cited by examiner

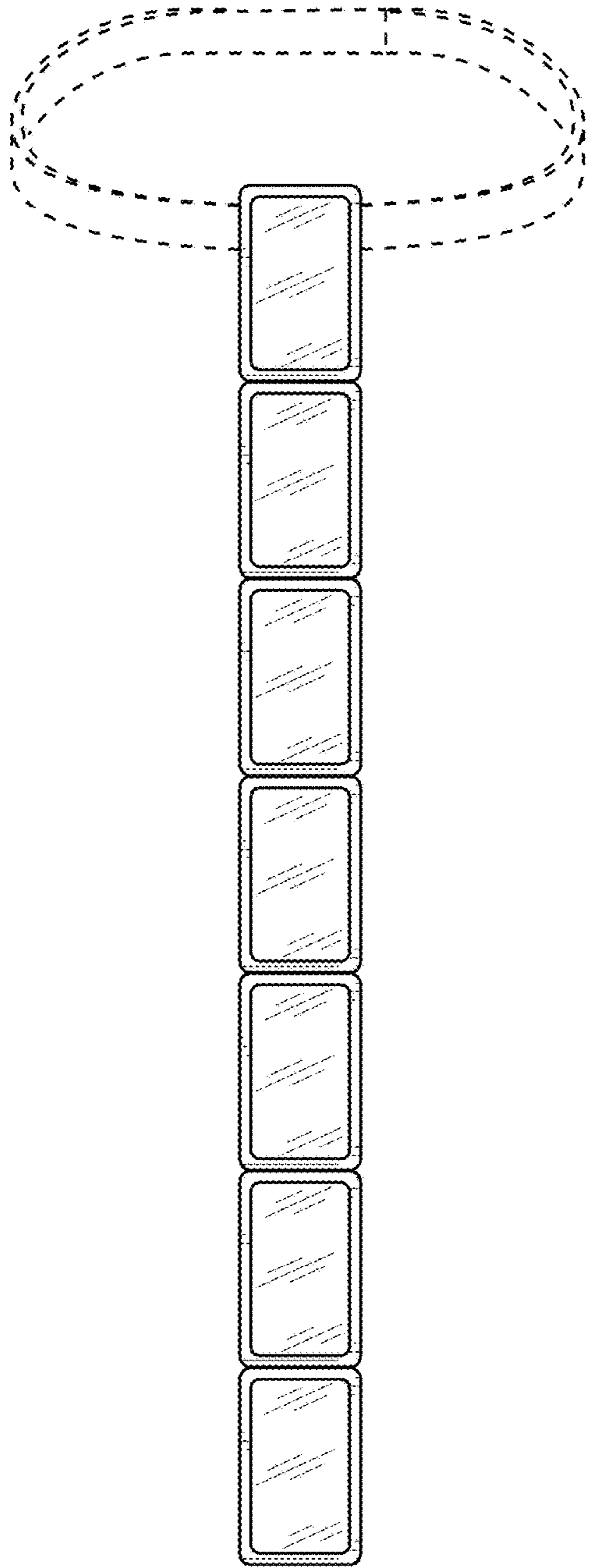


FIG. 1

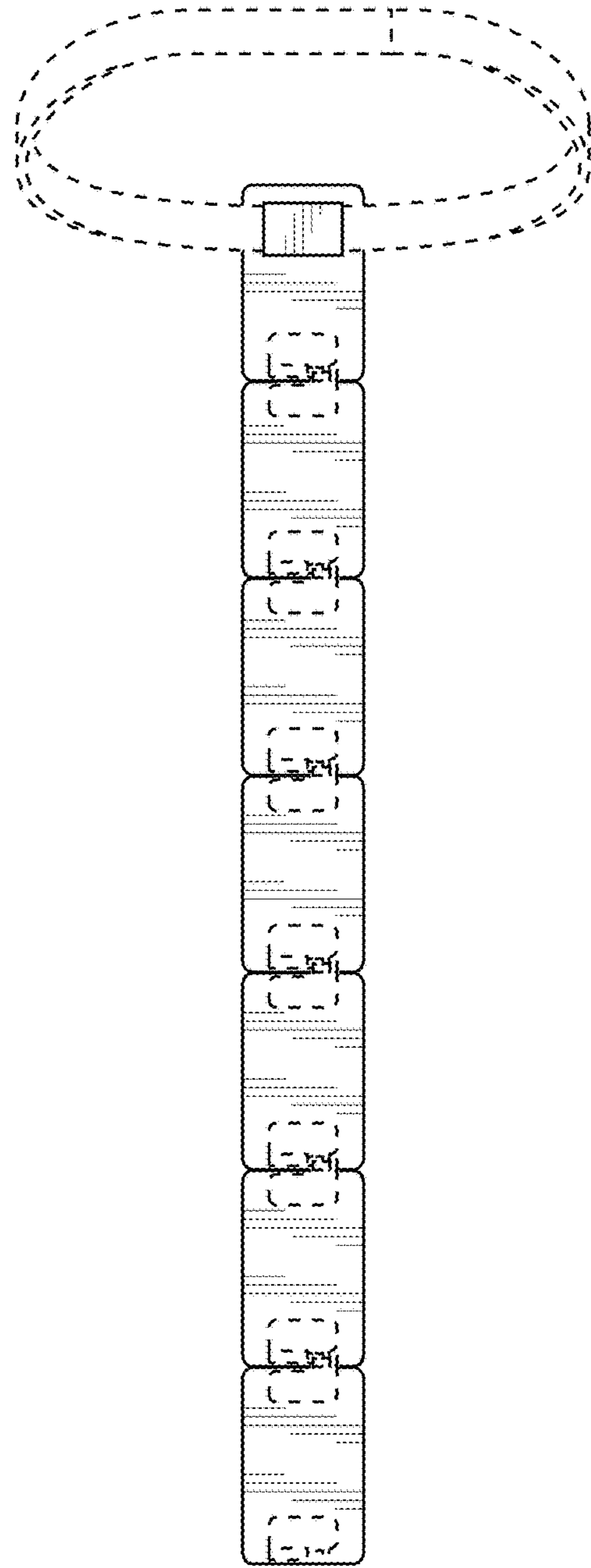


FIG. 2

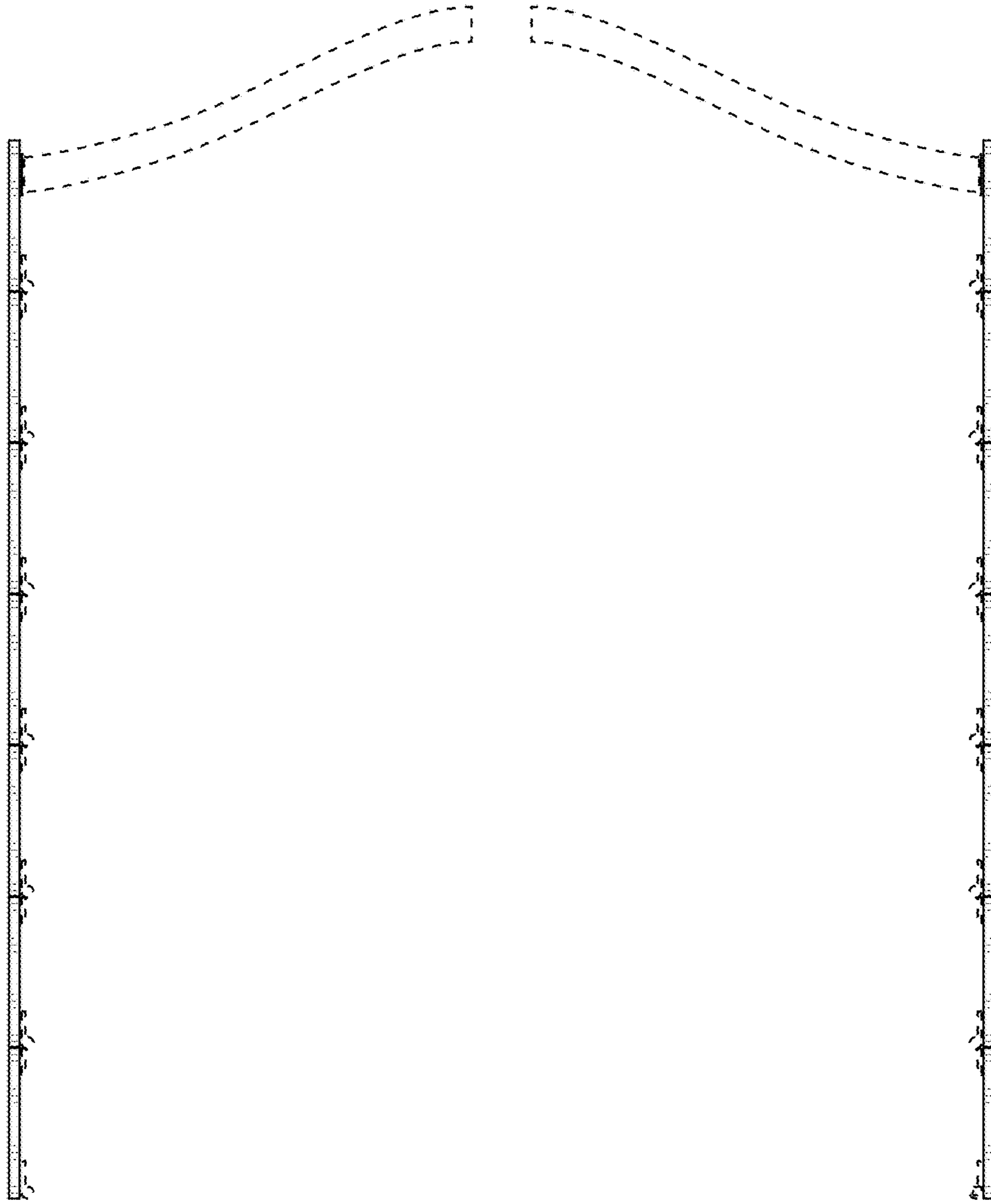


FIG. 3

FIG. 4

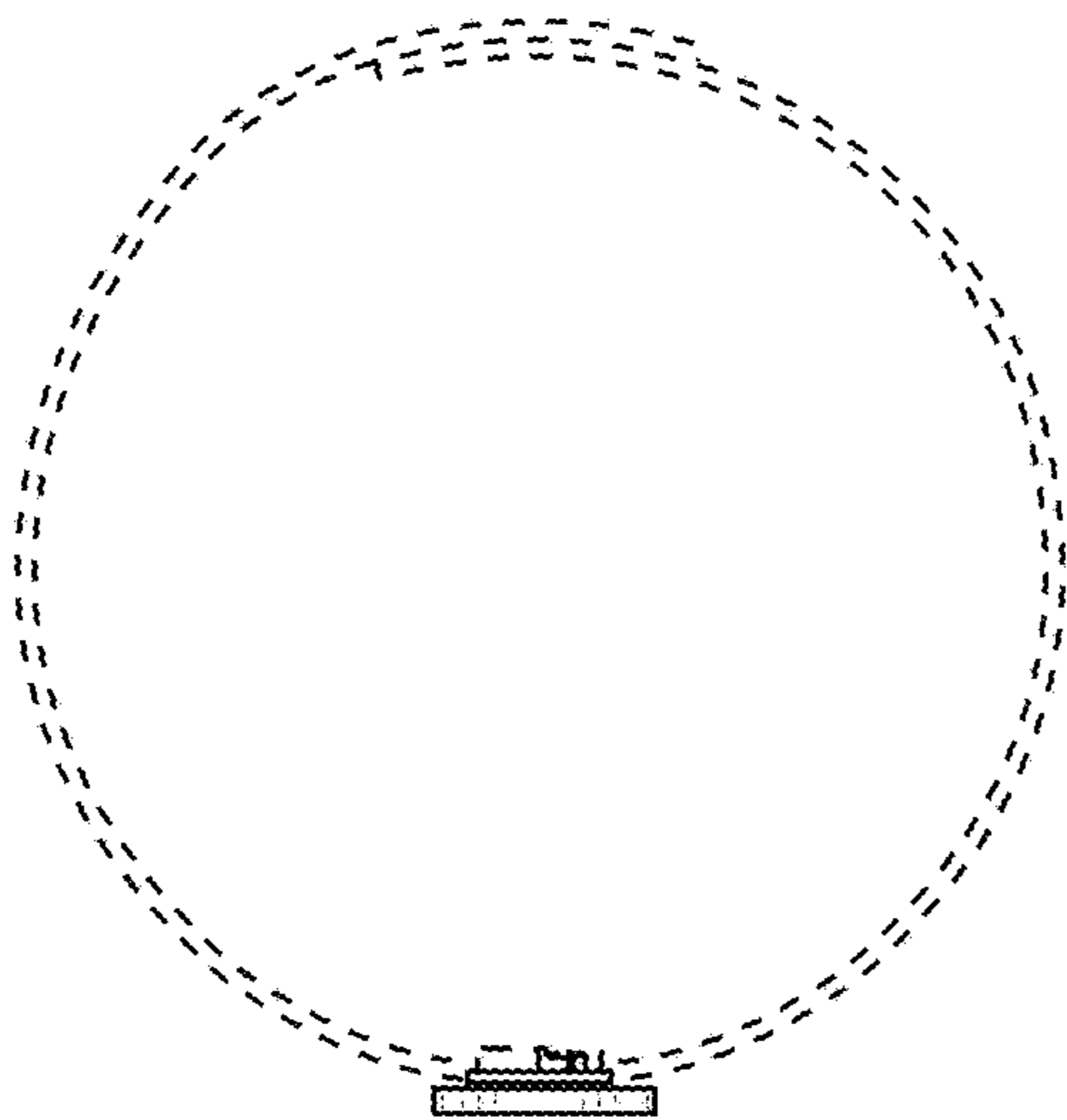


FIG. 5

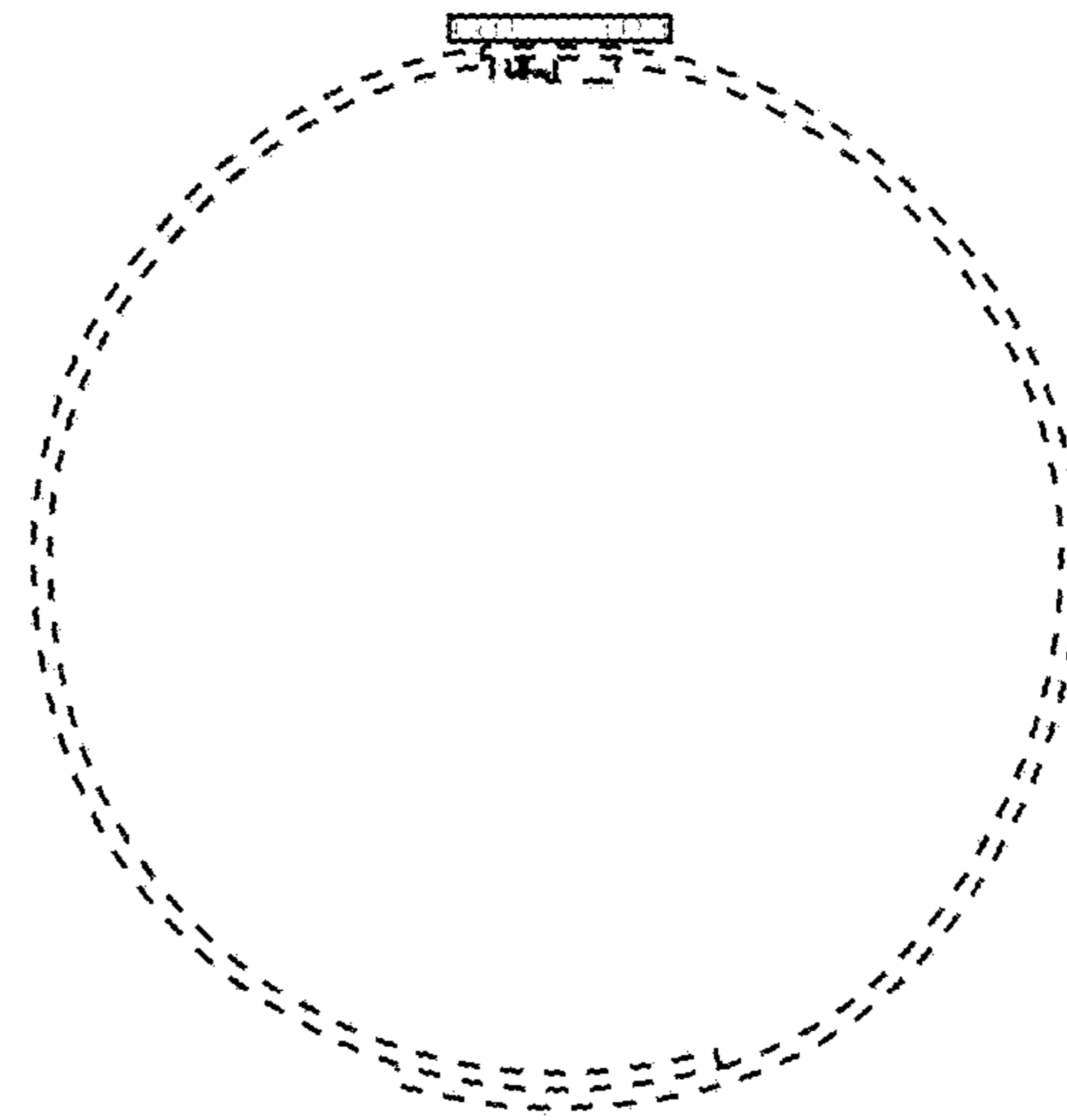


FIG. 6

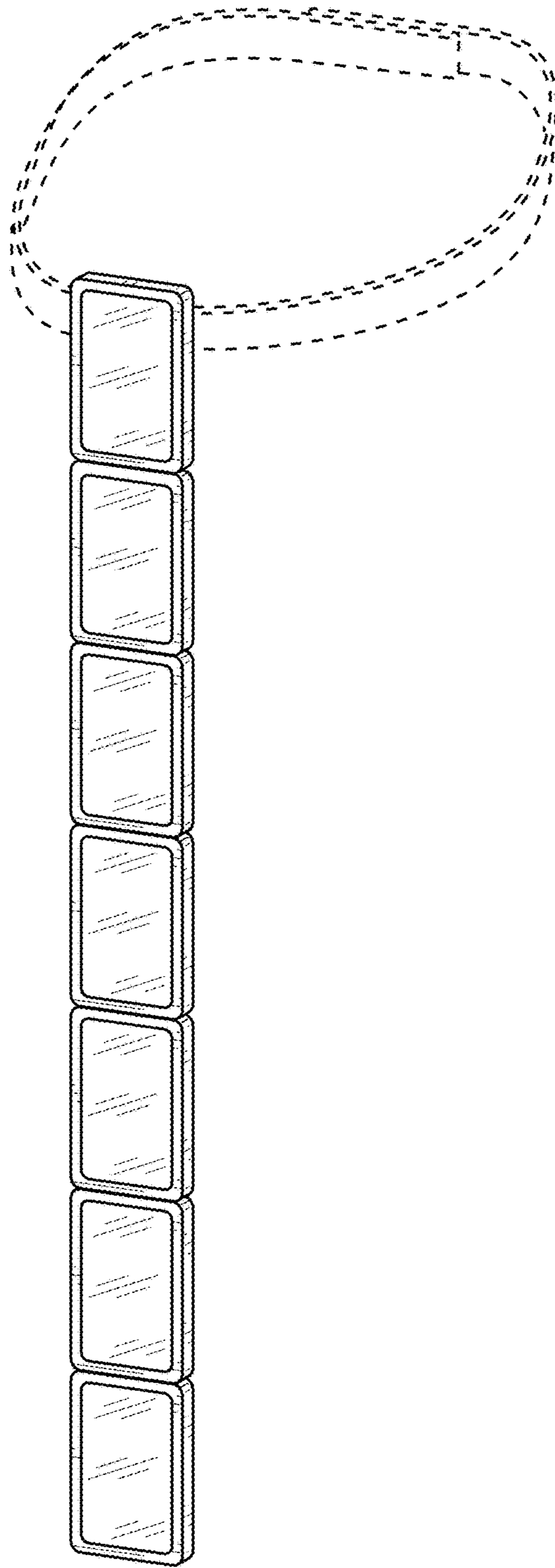


FIG. 7

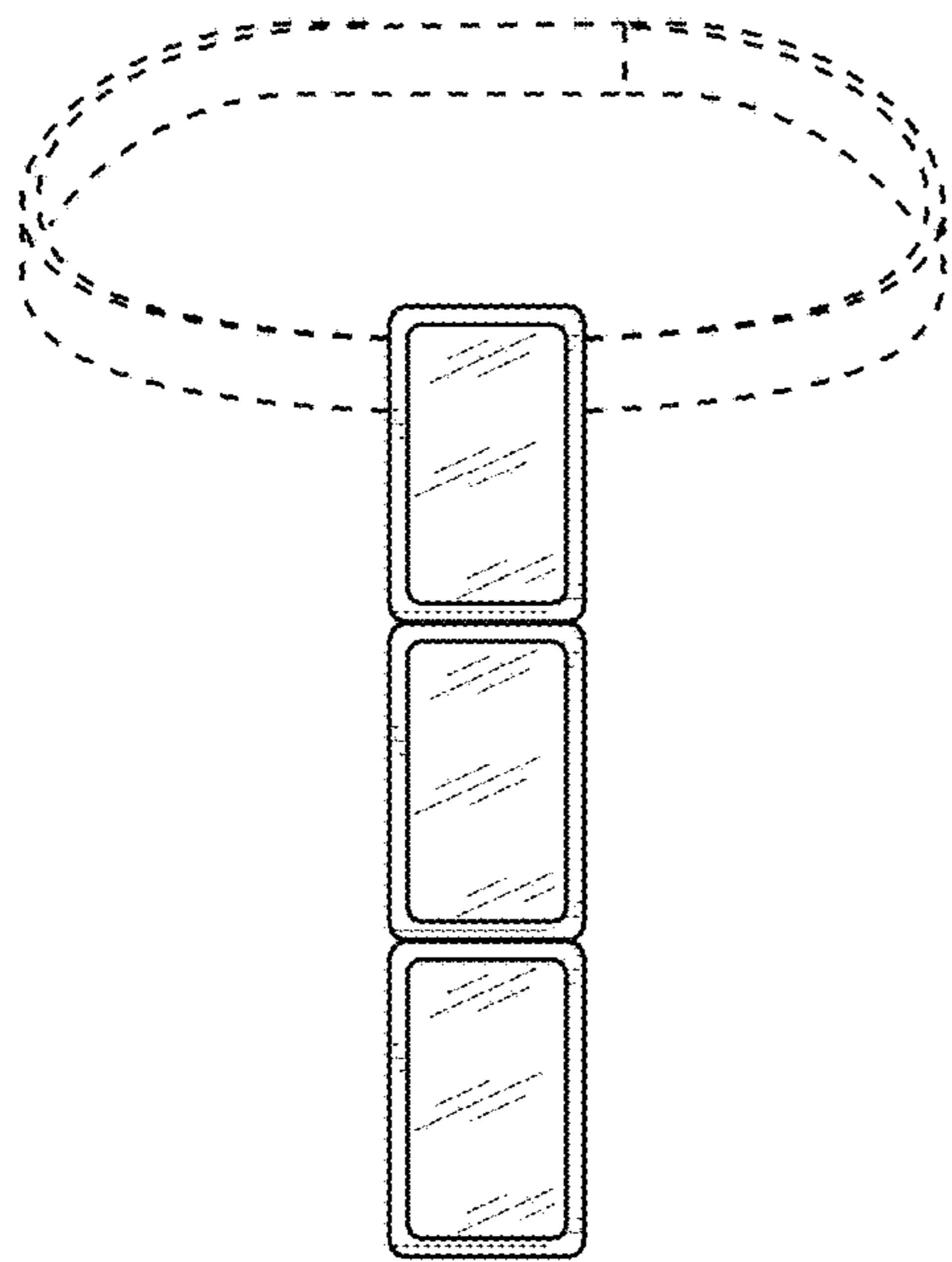


FIG. 8

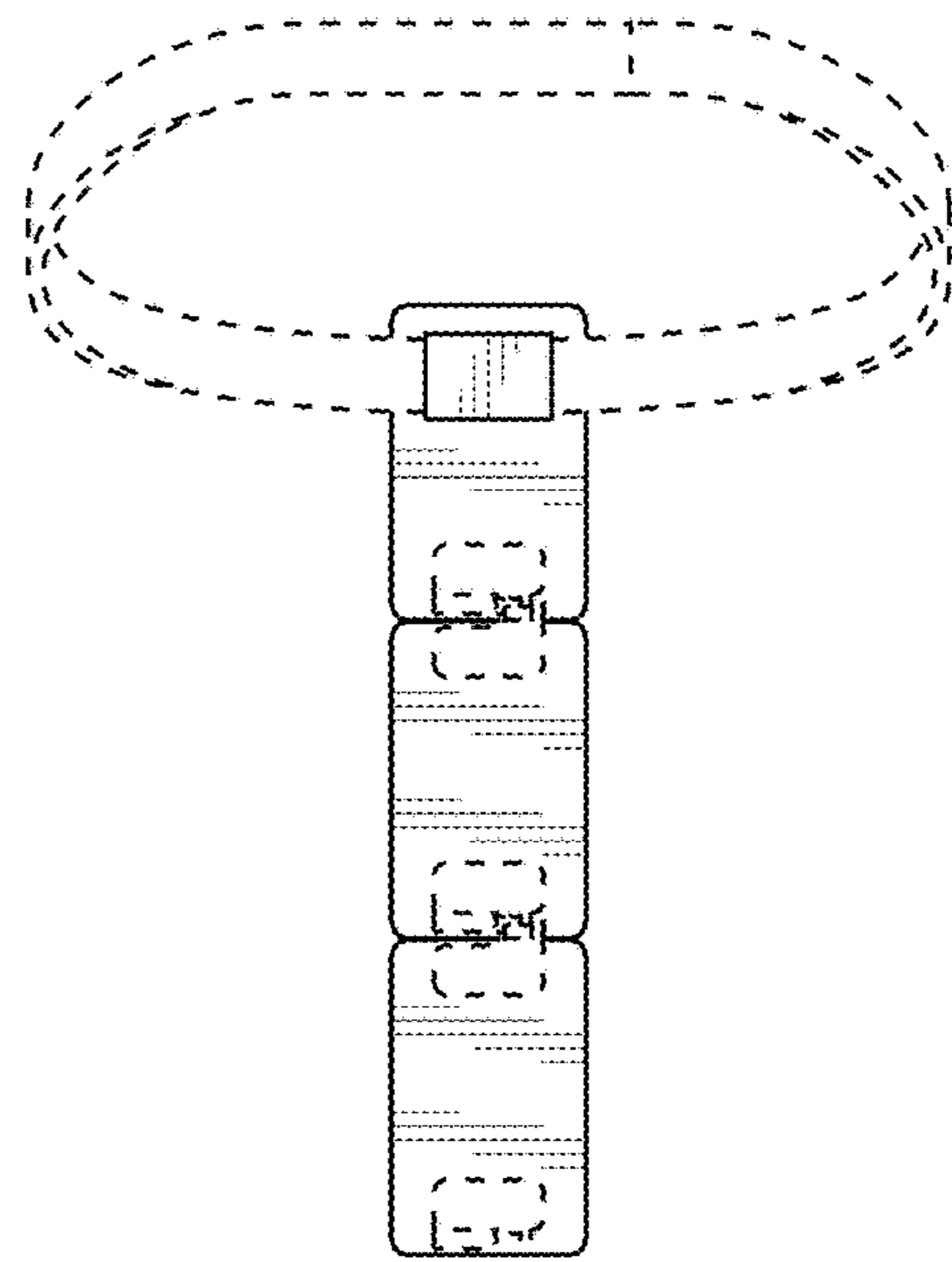


FIG. 9

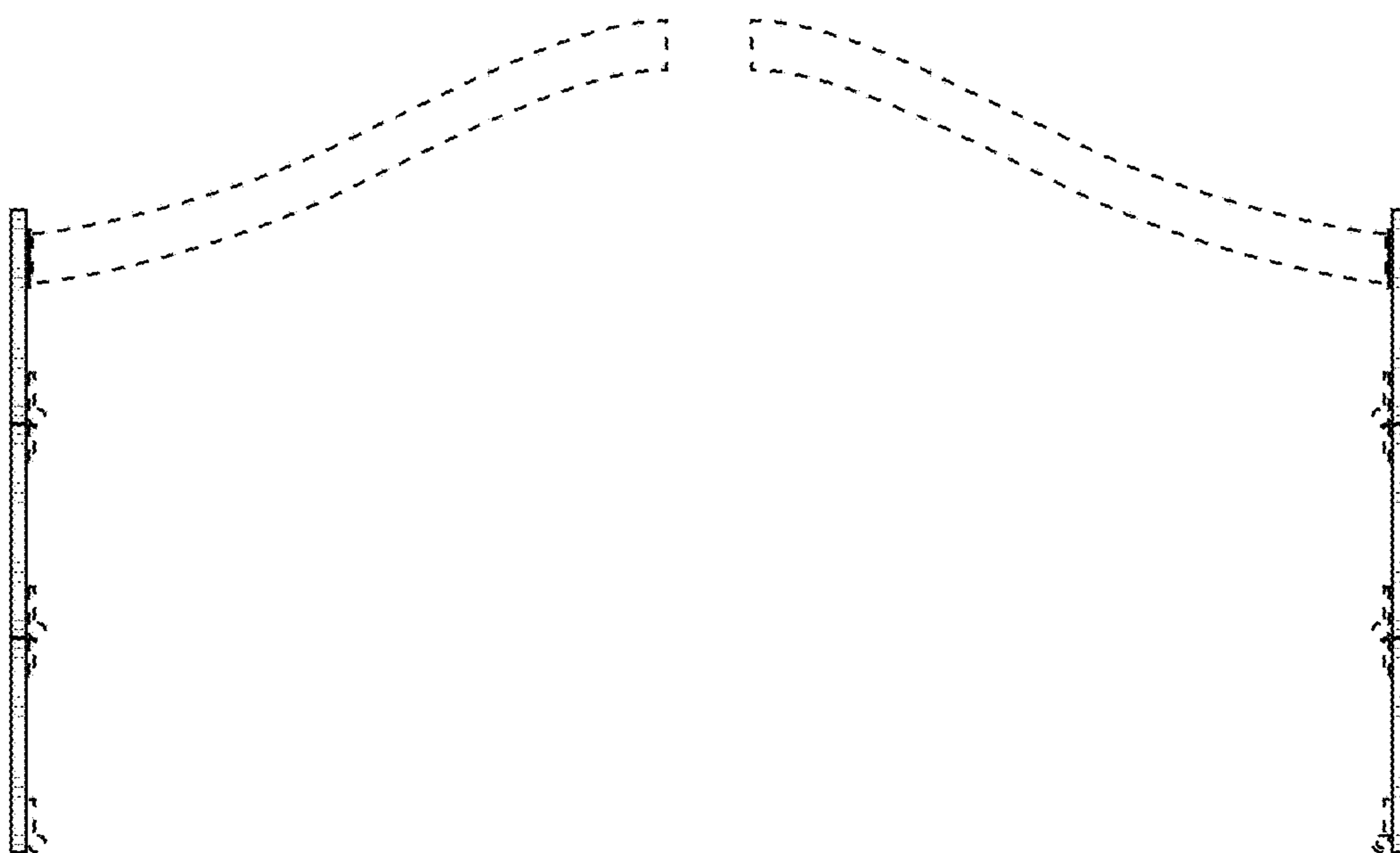


FIG. 10

FIG. 11

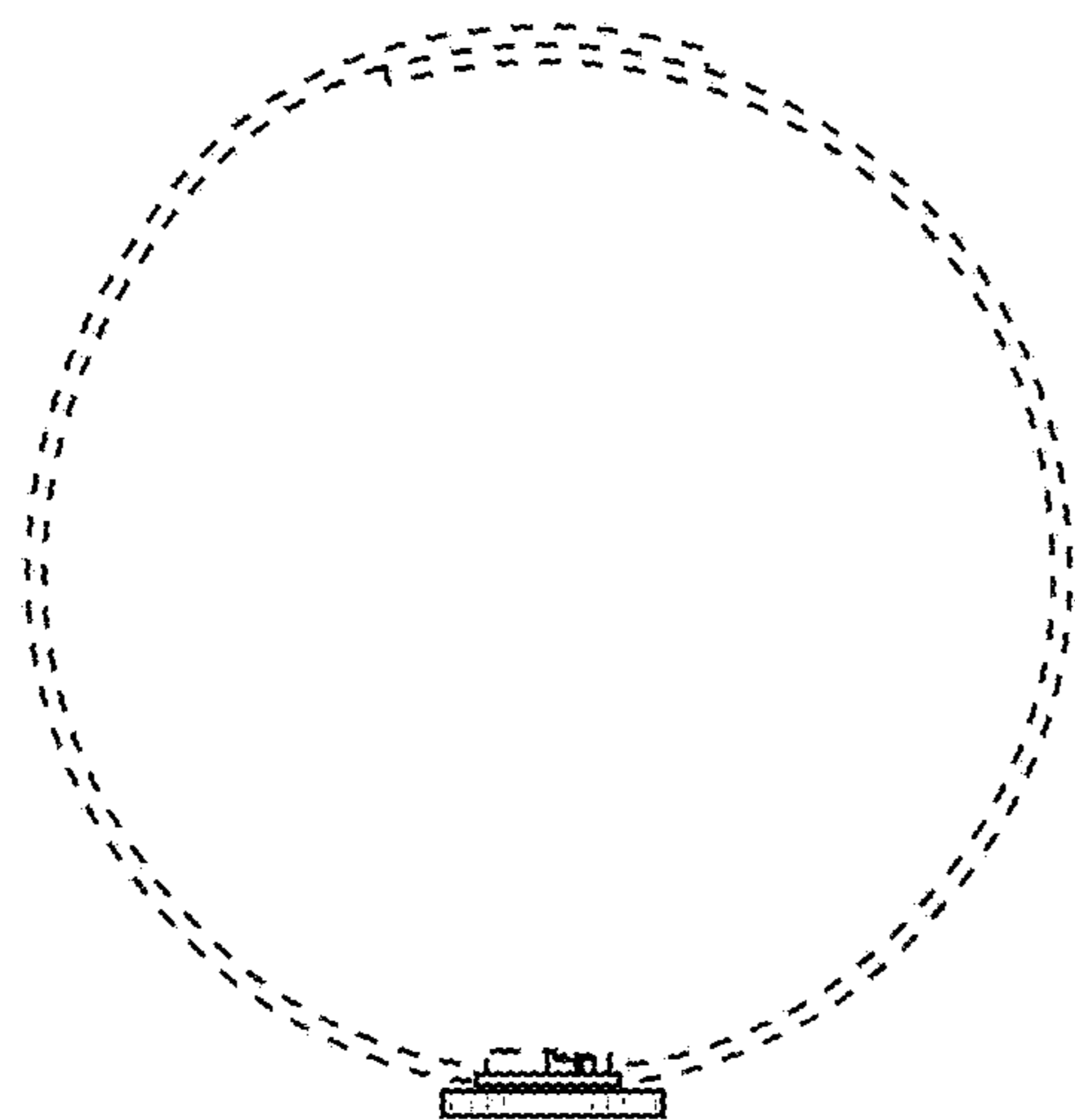


FIG. 12

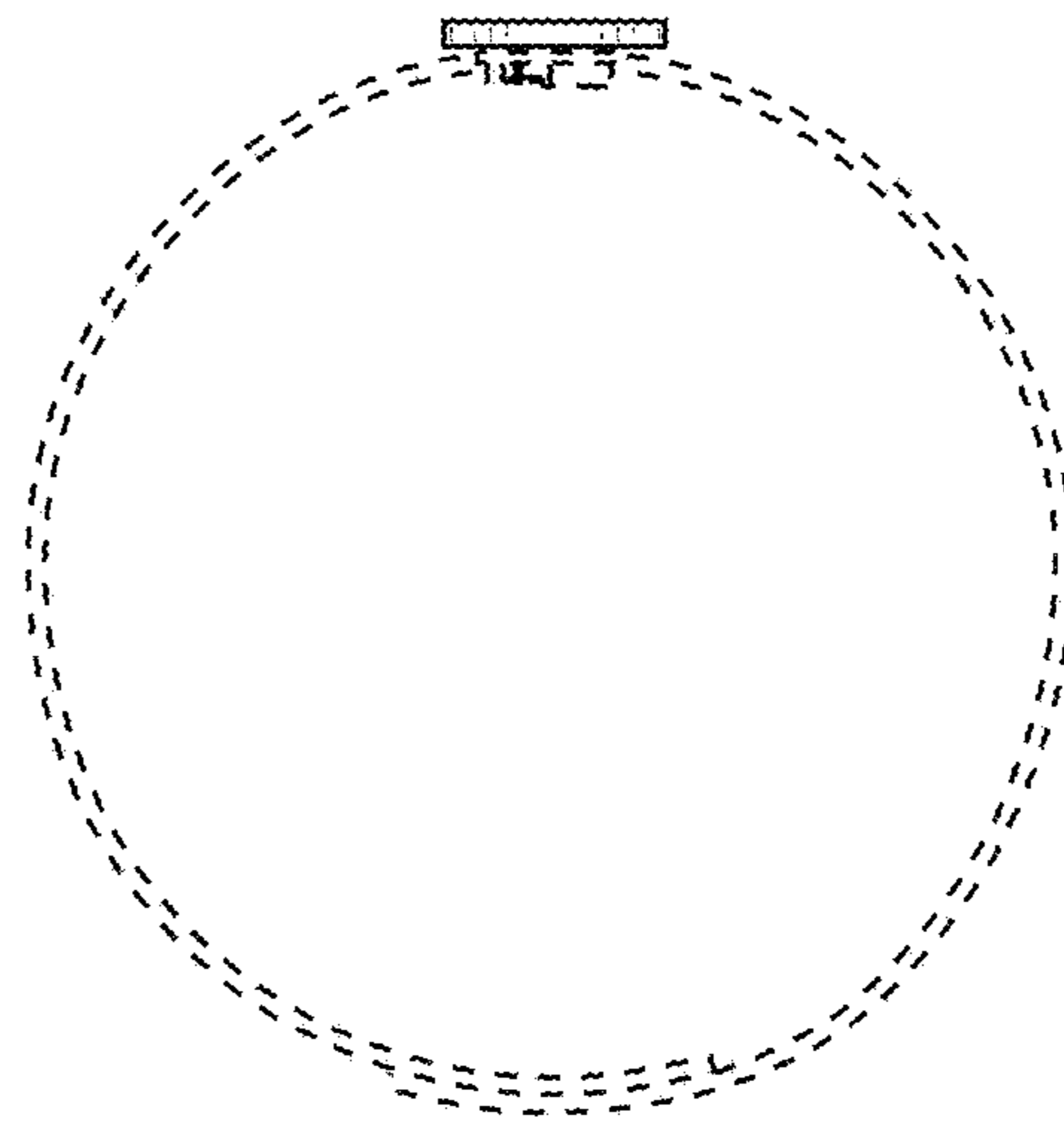


FIG. 13

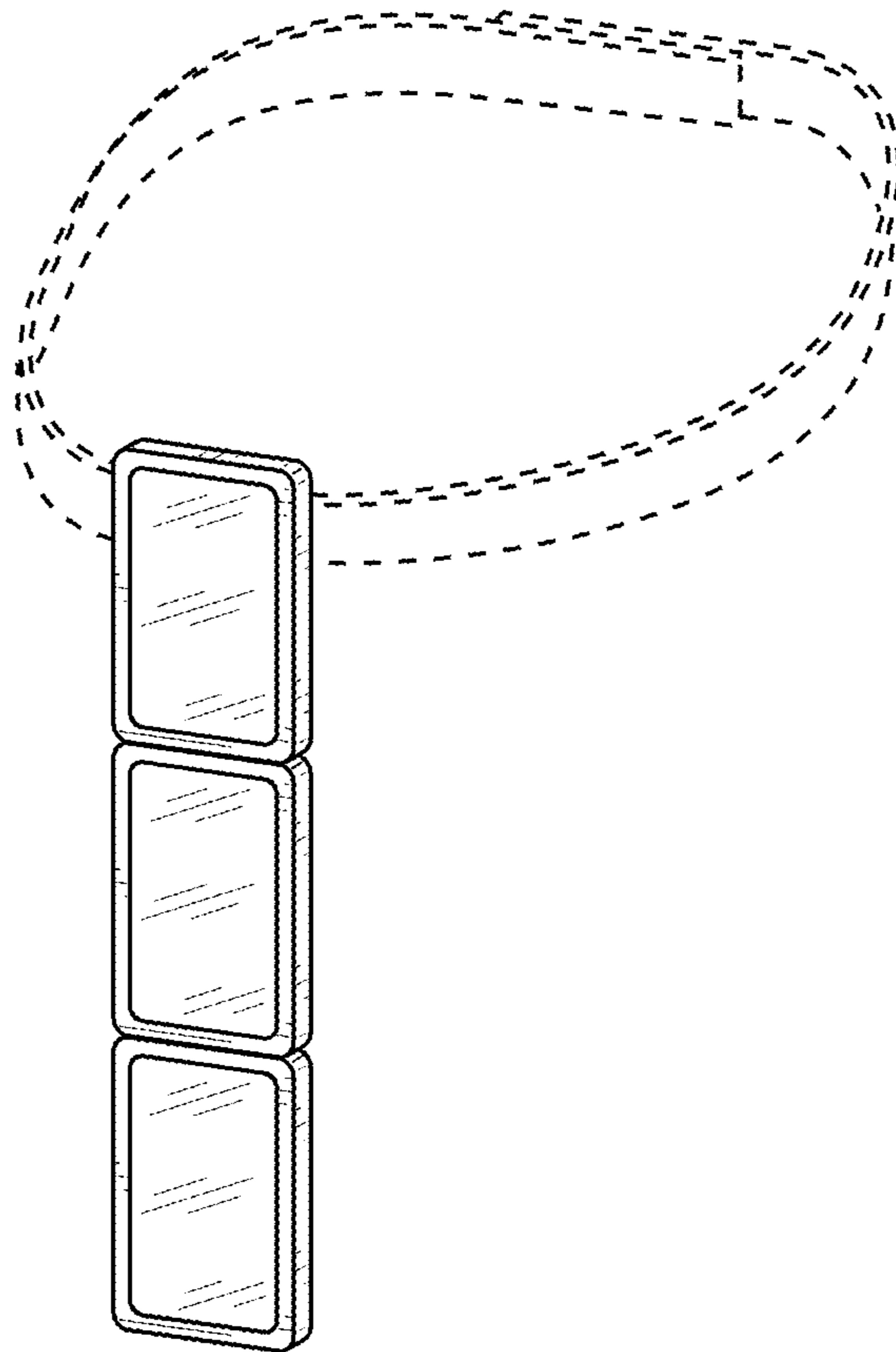


FIG. 14

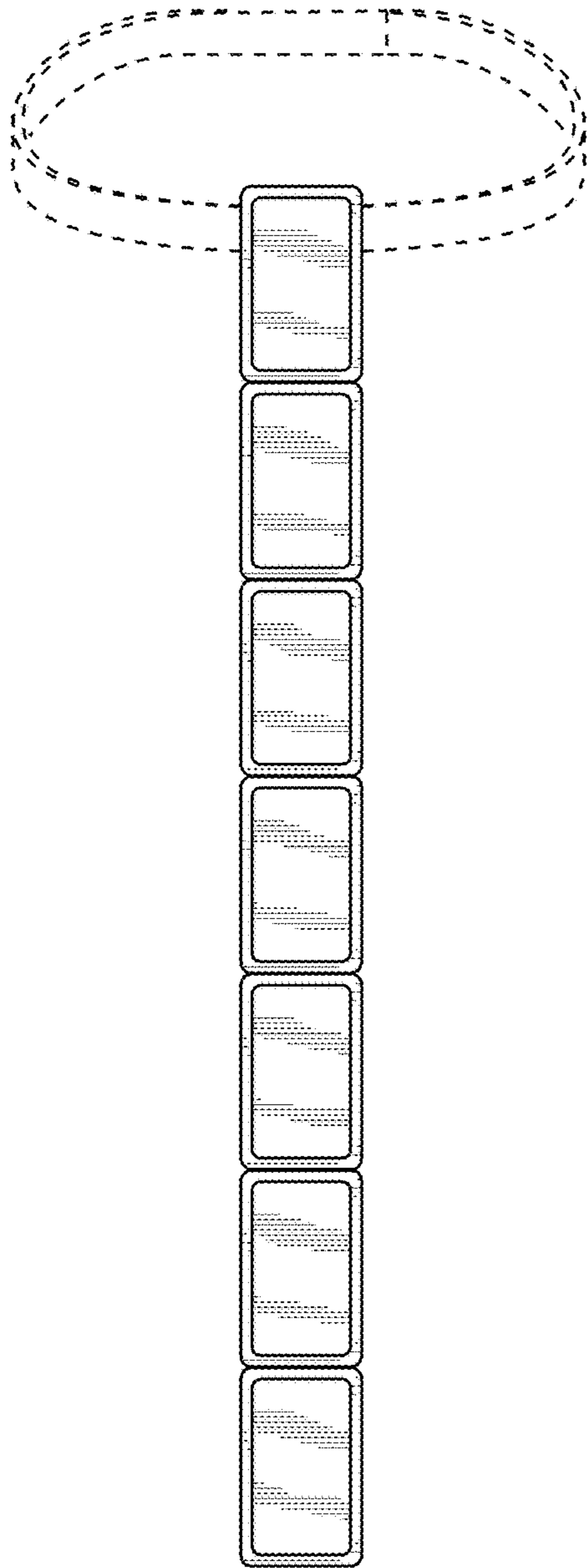


FIG. 15

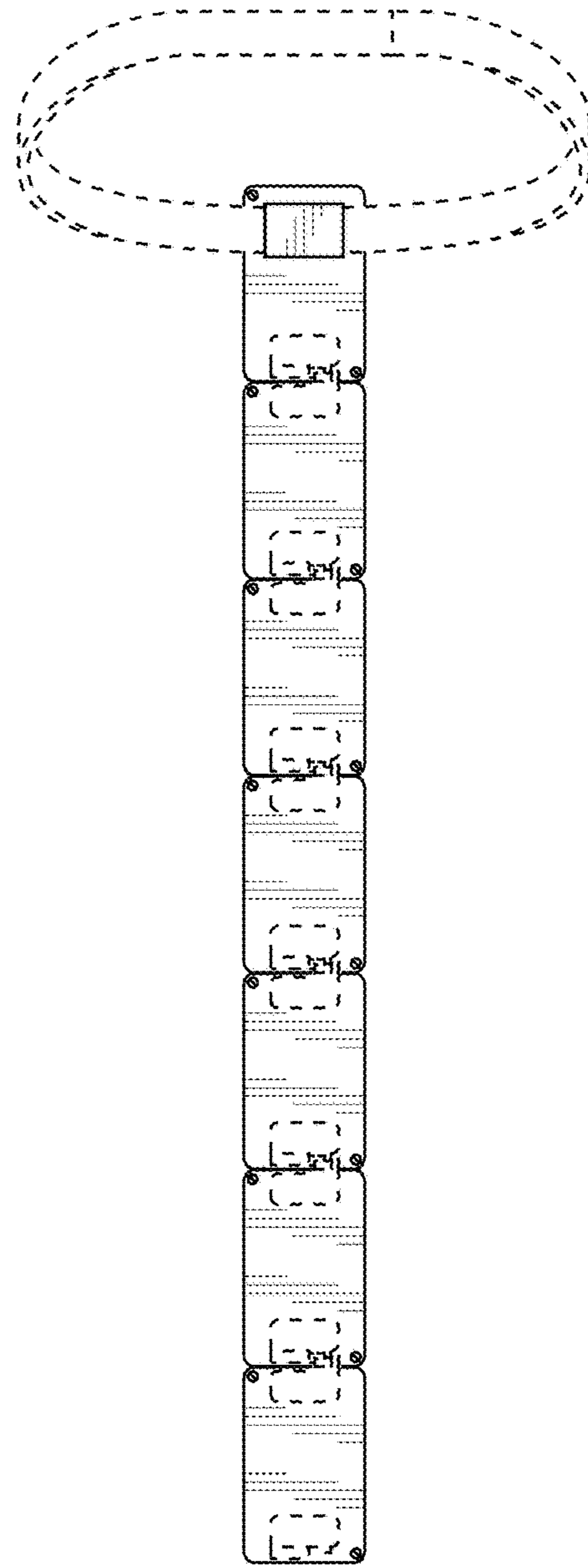


FIG. 16

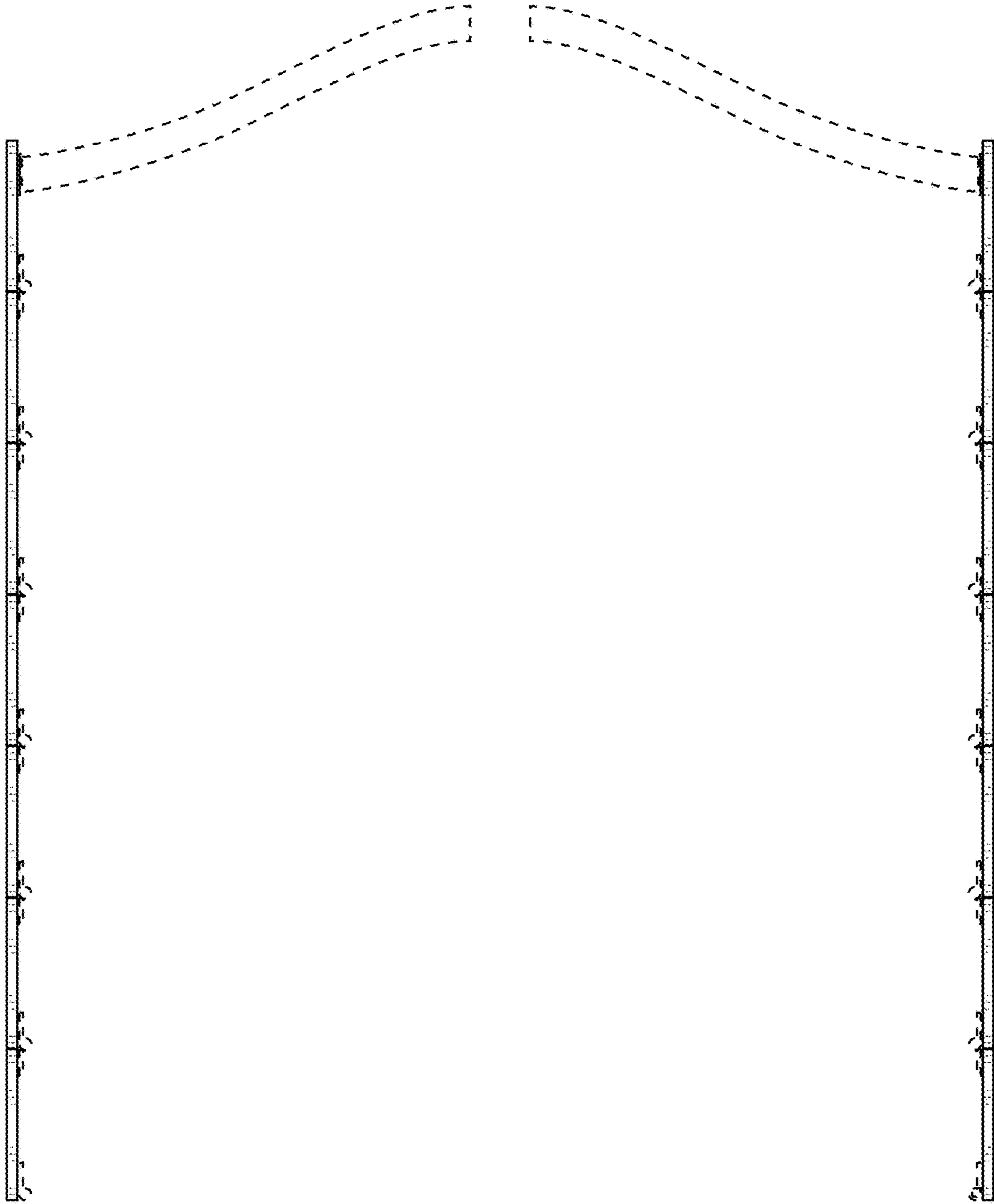


FIG. 17

FIG. 18

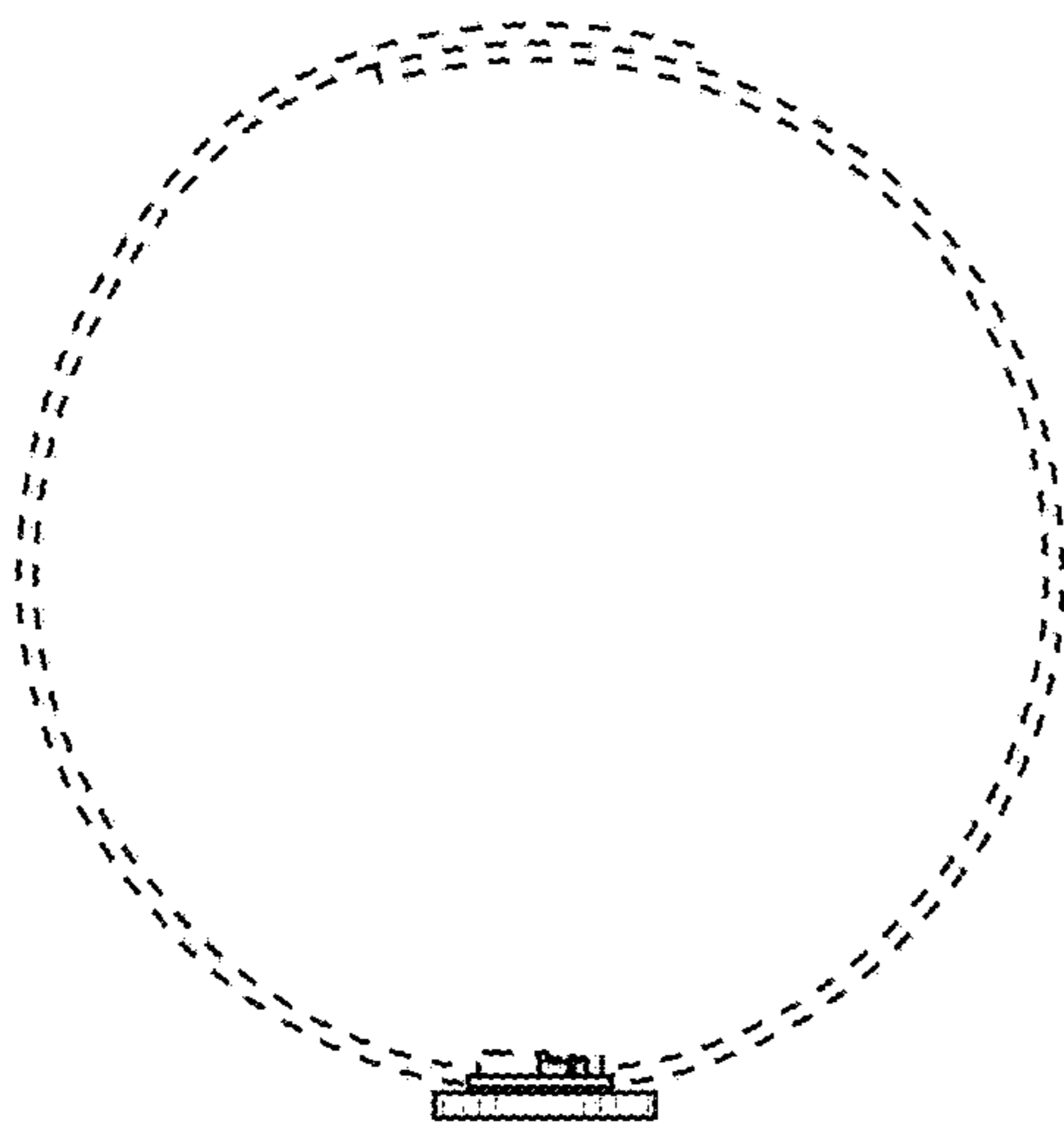


FIG. 19

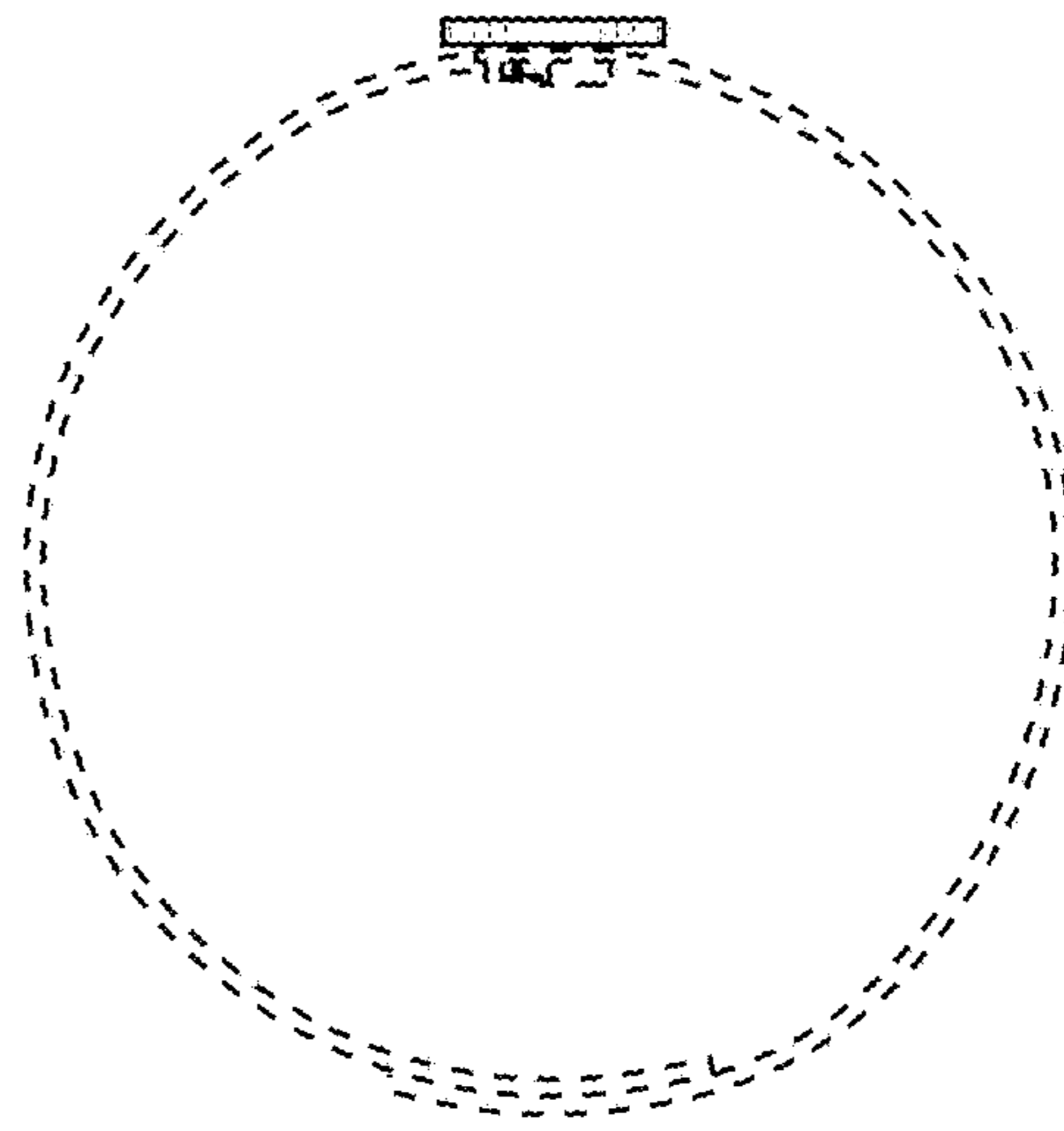


FIG. 20

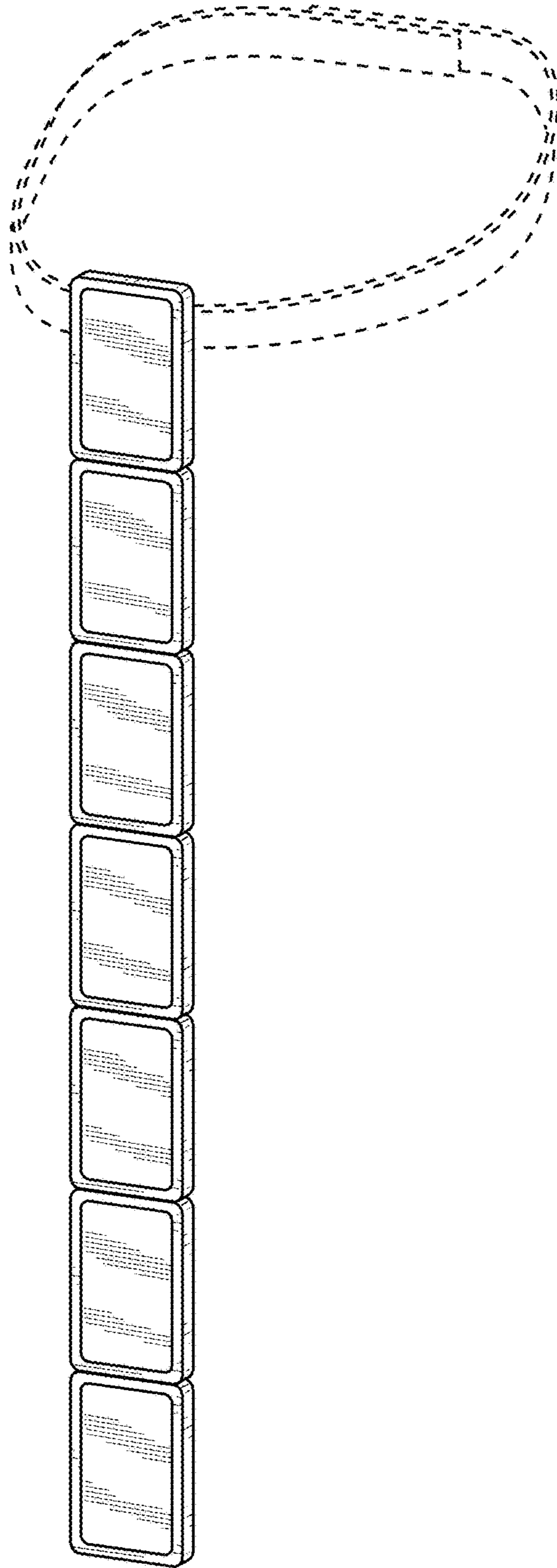


FIG. 21

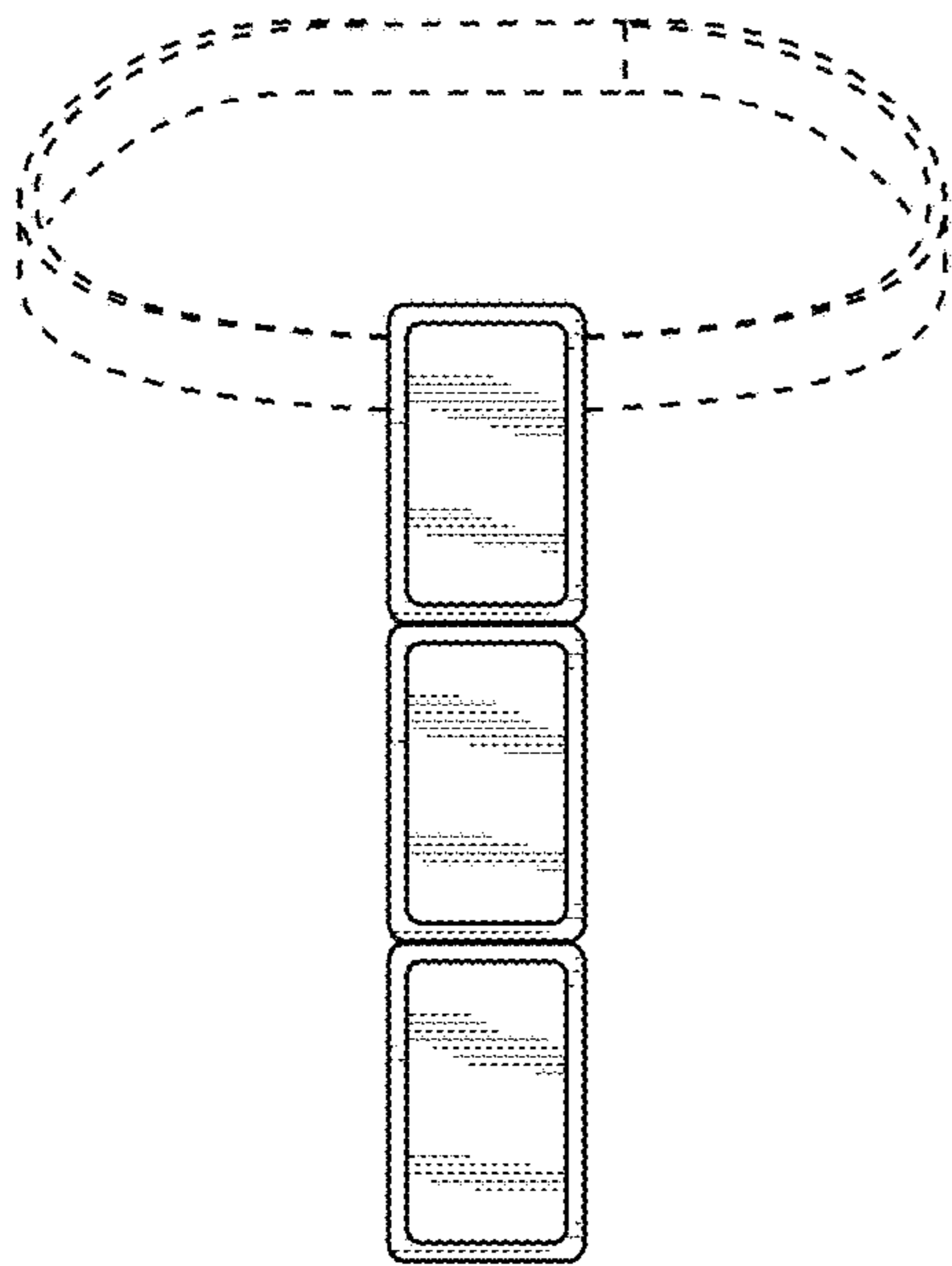


FIG. 22

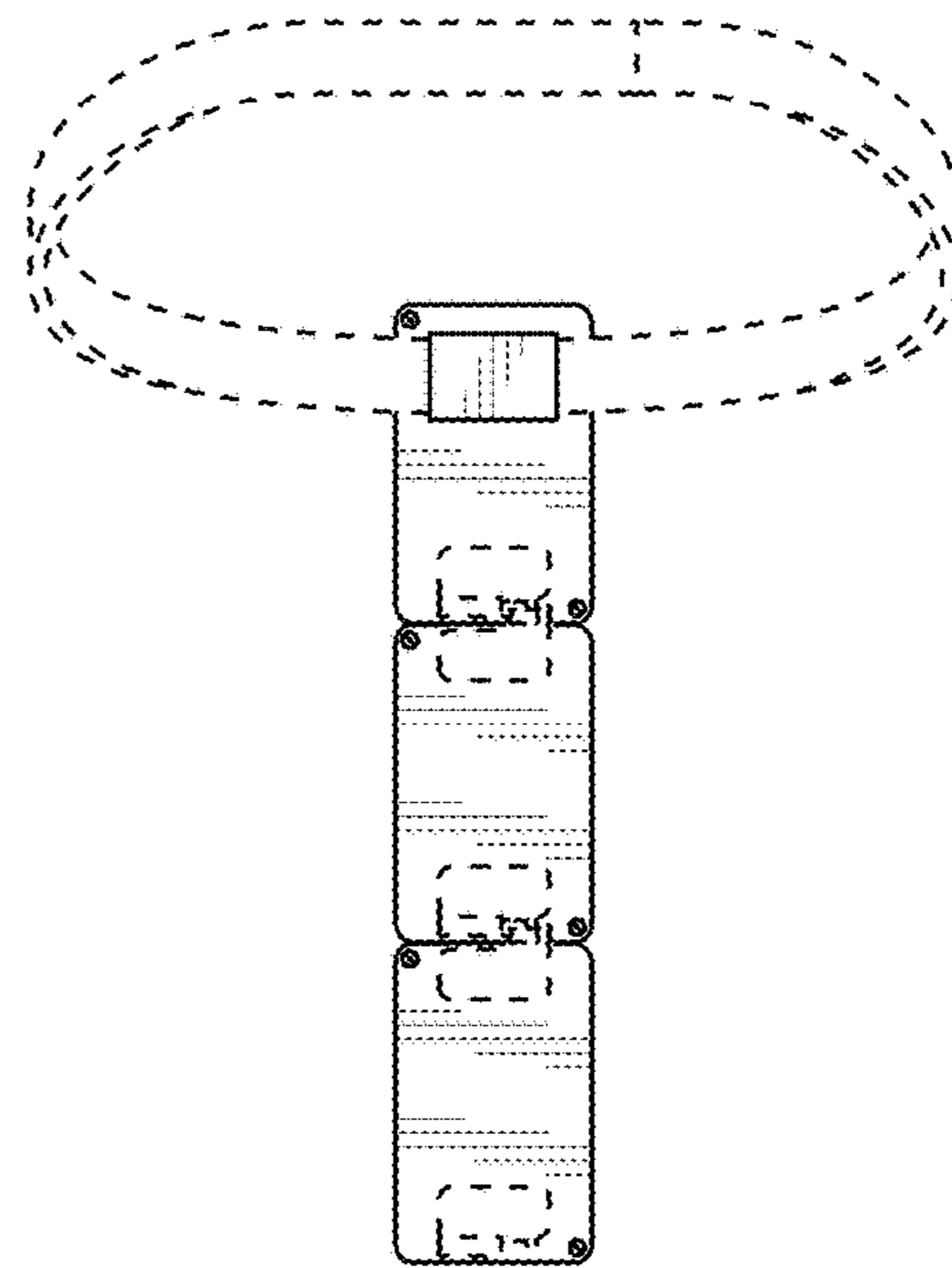


FIG. 23

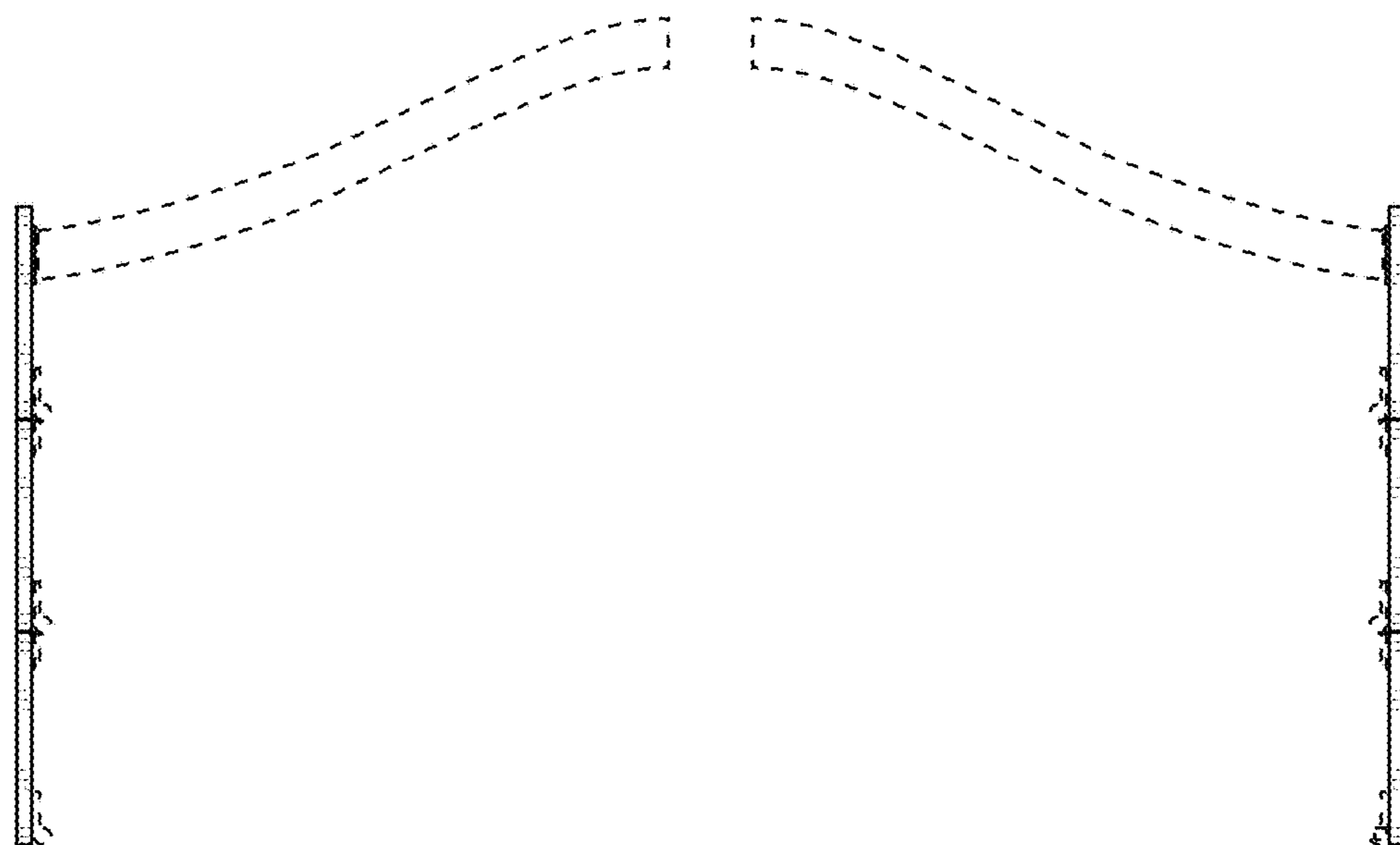


FIG. 24

FIG. 25

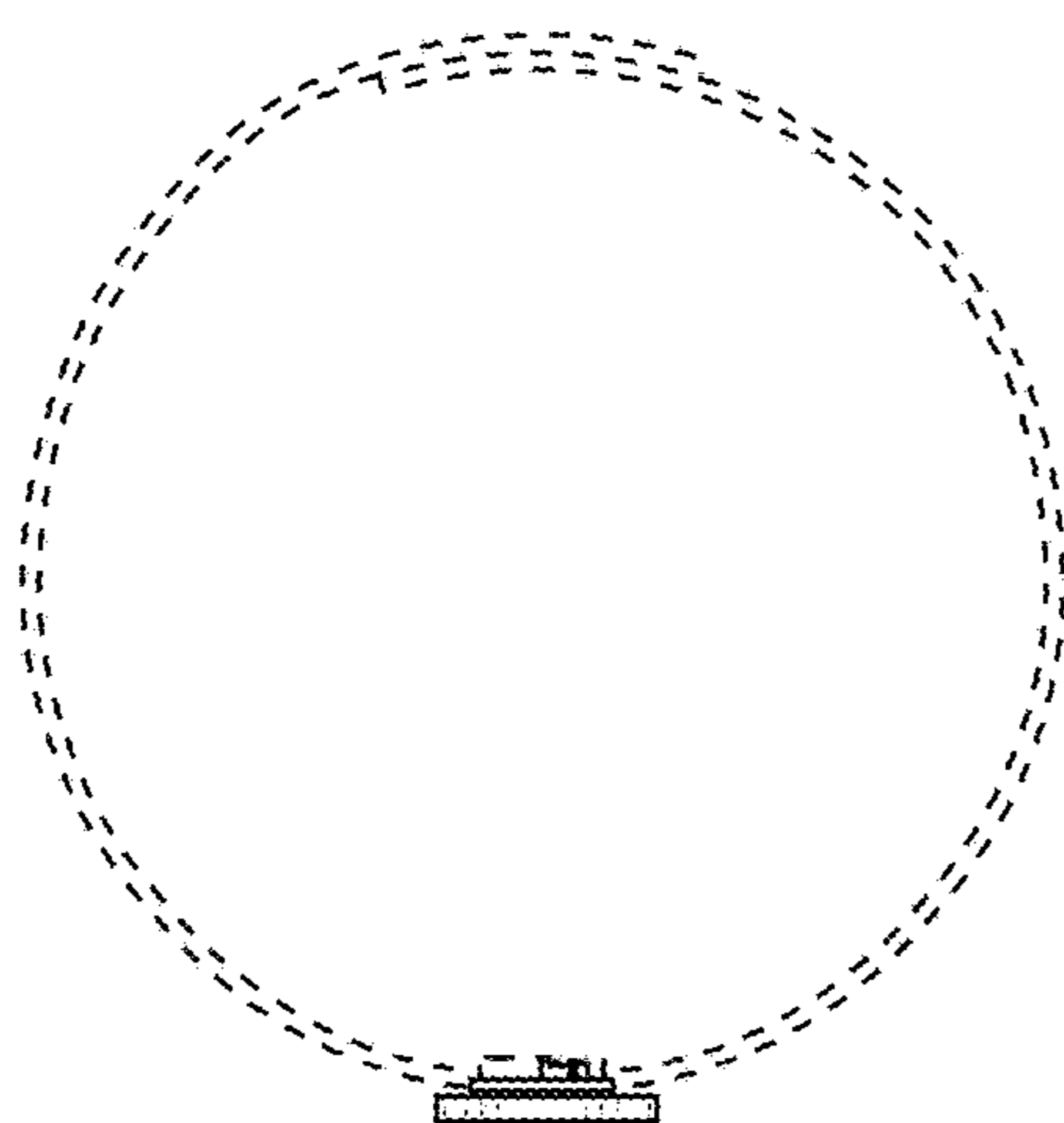


FIG. 26

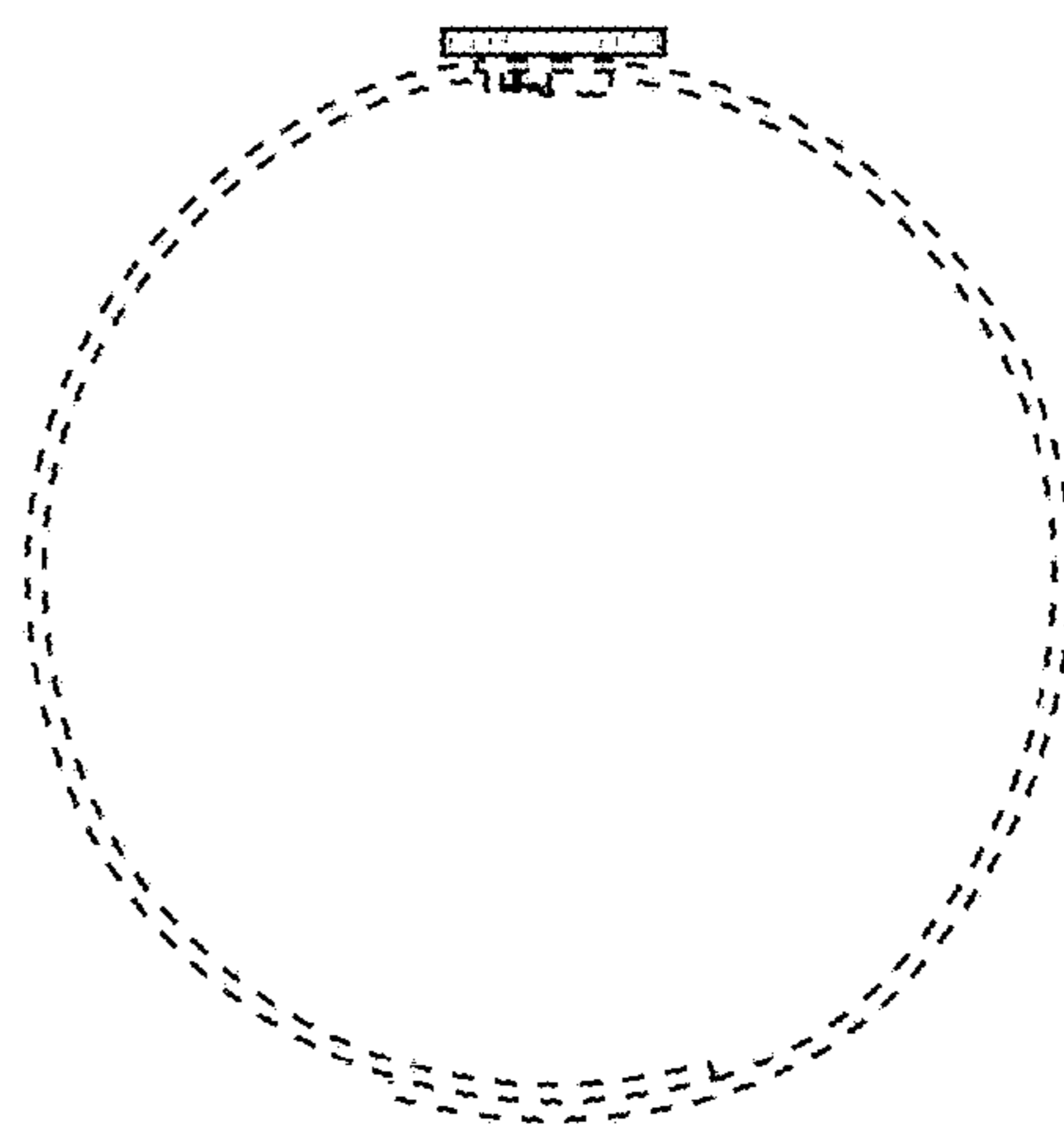


FIG. 27

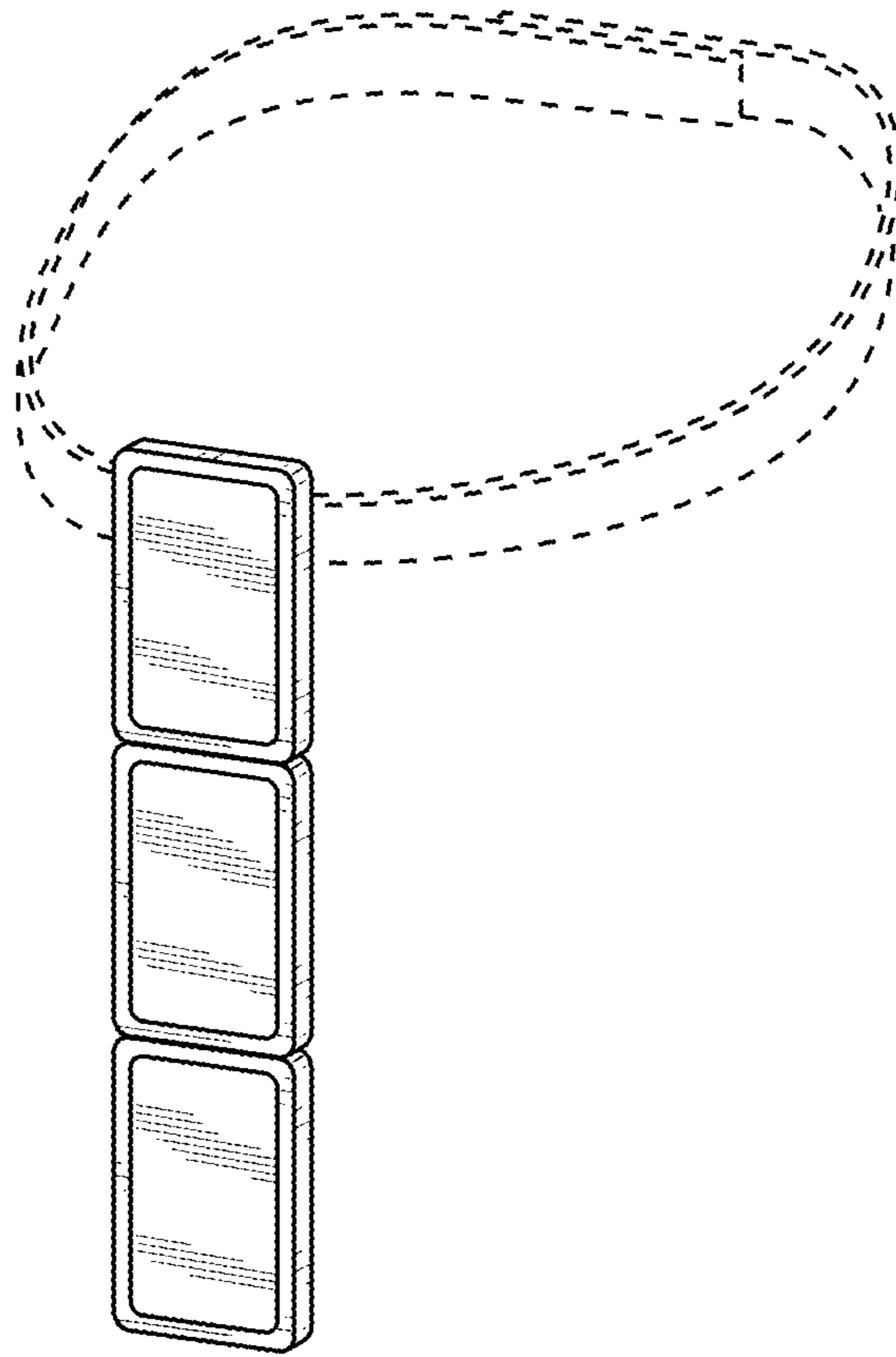


FIG. 28