



US00D824791S

(12) **United States Design Patent**
Scalisi

(10) **Patent No.:** **US D824,791 S**

(45) **Date of Patent:** **** Aug. 7, 2018**

(54) **DOORBELL CHIME**

(71) Applicant: **SkyBell Technologies, Inc.**, Irvine, CA
(US)

(72) Inventor: **Joseph Frank Scalisi**, Yorba Linda, CA
(US)

(73) Assignee: **SkyBell Technologies, Inc.**, Irvine, CA
(US)

(**) Term: **15 Years**

(21) Appl. No.: **29/613,919**

(22) Filed: **Aug. 15, 2017**

(51) **LOC (11) Cl.** **10-05**

(52) **U.S. Cl.**
USPC **D10/118**

(58) **Field of Classification Search**

USPC D10/46, 104.1, 106, 116.1, 118, 118.1,
D10/118.2, 121, 124, 126, 106.2, 106.5;
D14/159, 358; D25/147, 103; D16/202,
D16/203, 208, 209, 215; D13/158, 169,
D13/171, 174; D26/72, 85, 88; D8/350,
D8/343, 305, 353; 340/392.1, 384.7, 326,
340/539.14; 200/310; 455/41.2

CPC H04M 11/02; H04M 11/025; G08B 3/00;
G08B 3/10; G08B 7/00; G08B 7/06

See application file for complete search history.

(56) **References Cited**

U.S. PATENT DOCUMENTS

D179,803 S	3/1957	Gillette
D225,379 S	12/1972	Gallagher
D283,130 S	3/1986	Boenning
D297,222 S	8/1988	Rauch
5,127,244 A	7/1992	Myers
D344,036 S	2/1994	Yuen
5,345,794 A	9/1994	Jenks
D371,086 S	6/1996	Collins
D381,638 S	7/1997	Kruse

5,671,624 A	9/1997	Sivils
D392,576 S	3/1998	Pun
D392,987 S	3/1998	Sakata
D395,814 S	7/1998	Yang
D404,673 S	1/1999	Gordon
D418,770 S	1/2000	Ragan
6,016,677 A	1/2000	Clark
D422,521 S	4/2000	Morrow
D422,893 S	4/2000	Heredos-Formby
D435,576 S	12/2000	McBride

(Continued)

OTHER PUBLICATIONS

“NPL 1,” available May 28, 2018, [online], [site visited May 28, 2018]. Available from Internet, <URL:https://linptechdoorbell.en.made-in-china.com/product/NKAJVuiXCLYj/China-Wholesale-Wireless-Multi-Family-Music-Electric-Doorbell-Christmas-Smart-Round-Bell-Round-Chime.html> (Year: 2018).*

(Continued)

Primary Examiner — Cathron C Brooks

Assistant Examiner — Katrina N Gonzalez

(57) **CLAIM**

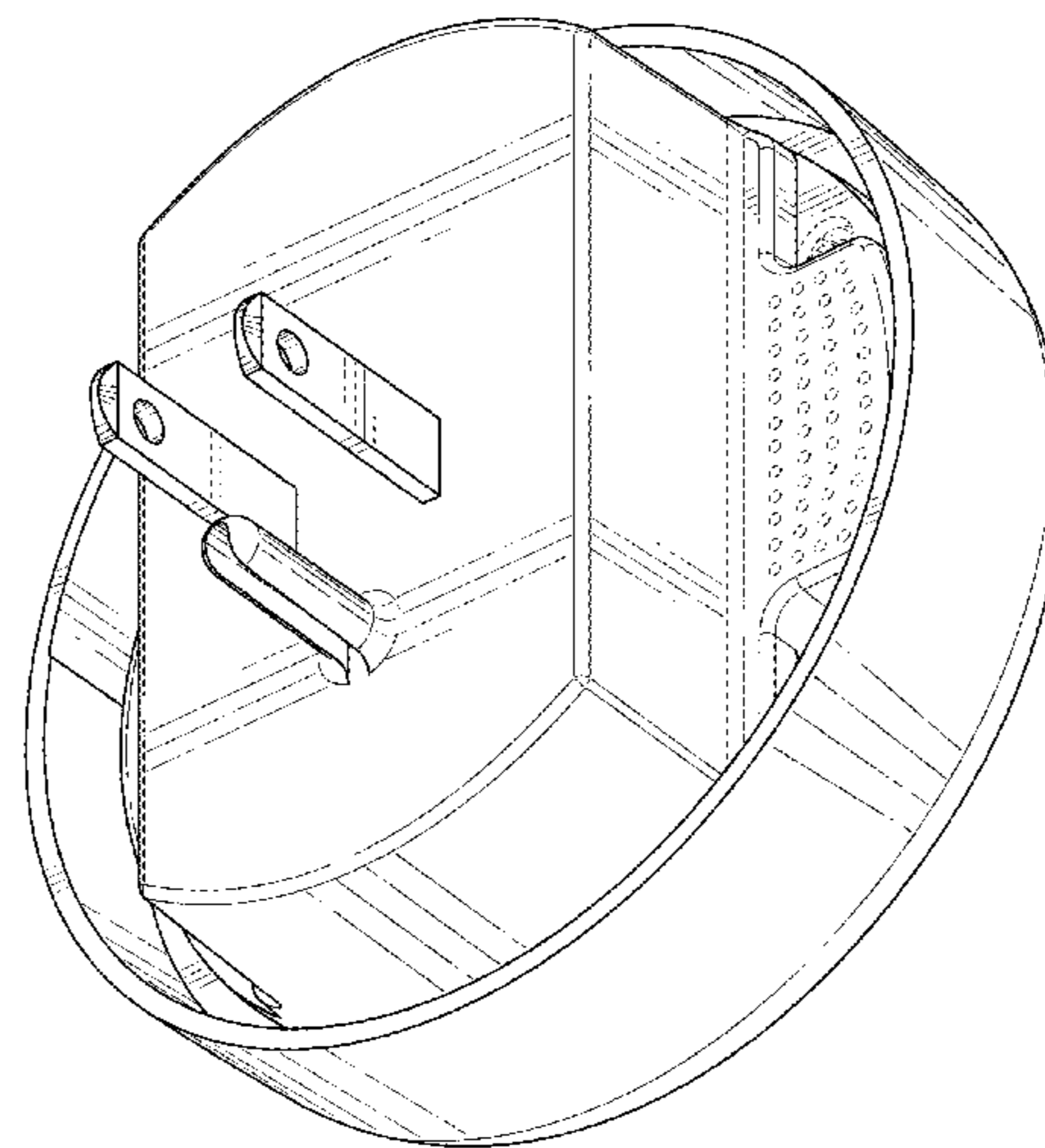
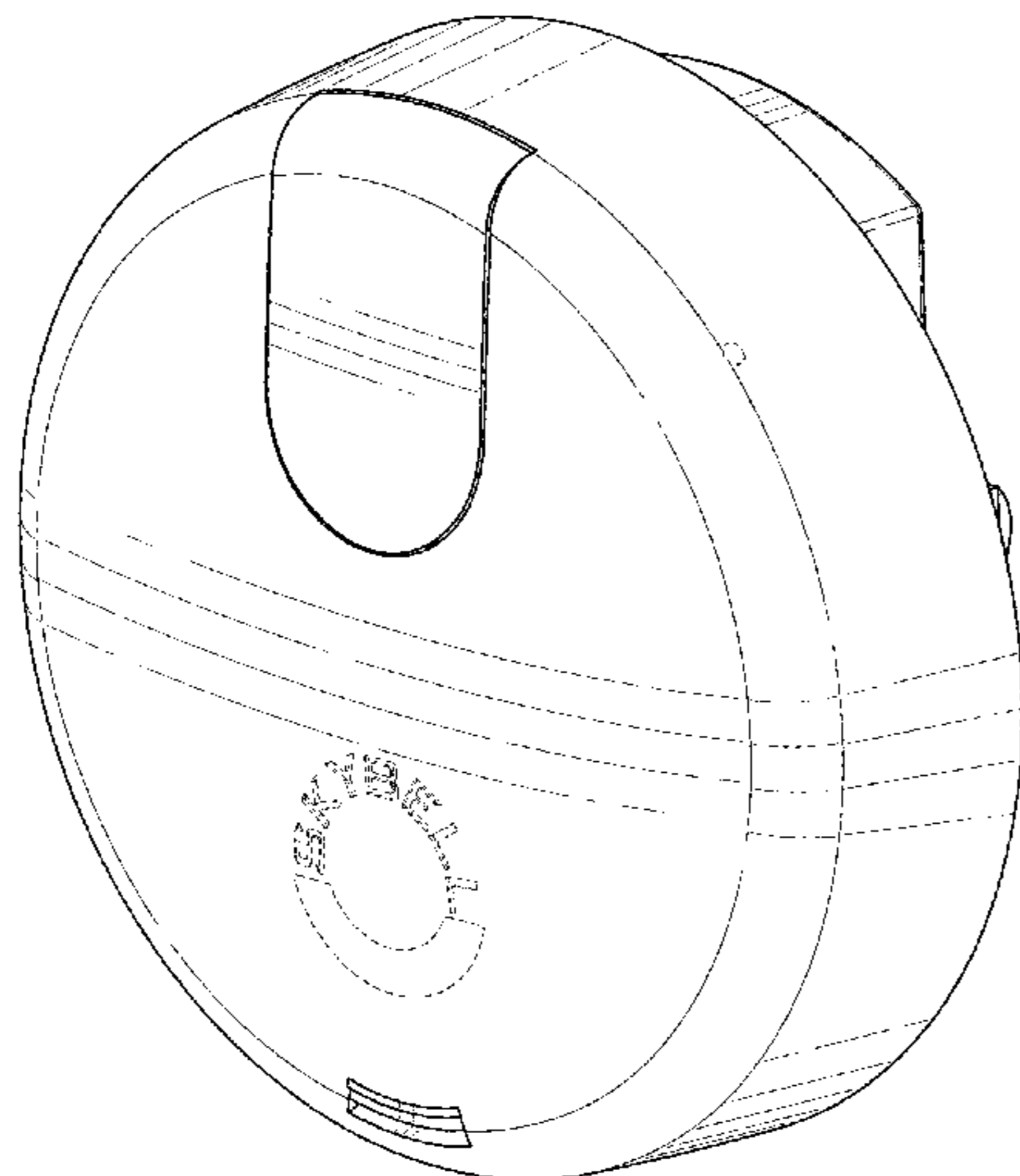
The ornamental design for a doorbell chime, as shown and described.

DESCRIPTION

FIG. 1 is a front, side, and top perspective view of a doorbell chime embodying the new design; FIG. 2 is a back, side, and bottom perspective view thereof; FIG. 3 is a front view thereof; FIG. 4 is a back view thereof; FIG. 5 is a first side view thereof; FIG. 6 is a second side view thereof; FIG. 7 is a top view thereof; and, FIG. 8 is a bottom view thereof.

The broken lines illustrate portions of a doorbell chime that form no part of the claimed design.

1 Claim, 8 Drawing Sheets



(56)

References Cited

U.S. PATENT DOCUMENTS

D435,577 S	12/2000	McBride	D720,363 S	12/2014	Ranz
D442,617 S	5/2001	Ohmori	D720,764 S	1/2015	Lee
D455,767 S	4/2002	Tsang	D721,755 S	1/2015	Åhman
D455,768 S	4/2002	Tsang	8,937,659 B1	1/2015	Skybell
D465,532 S	11/2002	Hussaini	8,941,736 B1	1/2015	Skybell
D479,720 S	9/2003	Ohashi	D722,318 S	2/2015	Moore
D480,741 S	10/2003	Berger	D722,319 S	2/2015	Moore
D487,939 S	3/2004	Smith	D722,611 S	2/2015	Moore
D489,323 S	5/2004	Yoshida	D722,709 S	2/2015	Bosua
D494,287 S	8/2004	Matsui	8,947,530 B1	2/2015	Skybell
6,812,970 B1	11/2004	McBride	8,953,040 B1	2/2015	Skybell
D500,751 S	1/2005	Yukikado	D725,670 S	3/2015	Zhang
D506,693 S *	6/2005	Kaczmarek D10/104.1	D727,769 S	4/2015	Skybell
D509,842 S	9/2005	Ou	D727,989 S	4/2015	Hasuda
7,015,943 B2	3/2006	Chiang	9,013,575 B2	4/2015	Skybell
D519,100 S	4/2006	Shioya	D728,601 S	5/2015	Angelides
D522,490 S	6/2006	Yukikado	D728,655 S	5/2015	Daniel
D525,963 S	8/2006	Yukikado	D729,678 S	5/2015	Skybell
7,113,578 B2	9/2006	Unger	D729,859 S	5/2015	Shin
D531,160 S	10/2006	Yukikado	D732,547 S	6/2015	McClelland
D534,566 S	1/2007	Ishii	9,049,352 B2	6/2015	Skybell
D537,095 S	2/2007	Alden	9,055,202 B1	6/2015	Skybell
D562,306 S	2/2008	Jeong	9,058,738 B1	6/2015	Skybell
D574,742 S	8/2008	Spencer	9,060,103 B2	6/2015	Skybell
D575,316 S	8/2008	Liu	9,060,104 B2	6/2015	Skybell
D577,301 S	9/2008	Johnson	9,065,987 B2	6/2015	Skybell
D588,574 S	3/2009	Takahata	D733,780 S	7/2015	Chen
D592,231 S	5/2009	Schnell	D734,801 S	7/2015	Yang
D594,311 S	6/2009	Stevens	9,094,584 B2	7/2015	Skybell
D595,260 S	6/2009	Takahata	D736,294 S	8/2015	Skybell
D605,542 S	12/2009	Ho	D737,283 S	8/2015	Skybell
D619,157 S	7/2010	Kim	9,113,051 B1	8/2015	Skybell
D633,921 S	3/2011	Brinda	9,113,052 B1	8/2015	Skybell
D634,181 S	3/2011	Kang	9,118,819 B1	8/2015	Skybell
D636,286 S	4/2011	Khor	9,142,214 B2	9/2015	Skybell
D638,853 S	5/2011	Brinda	9,143,343 B2	9/2015	Kim
D645,071 S	9/2011	Hinkel	D740,873 S	10/2015	Skybell
D646,801 S	10/2011	Chou	D741,866 S	10/2015	Ballout
D647,946 S	11/2011	Raken	9,160,987 B1	10/2015	Skybell
D657,410 S	4/2012	Helaoui	9,165,444 B2	10/2015	Skybell
D660,819 S	5/2012	Chen	9,172,920 B1	10/2015	Kskybell et al.
D664,178 S	7/2012	Hinkel	9,172,921 B1	10/2015	Skybell
D664,554 S	7/2012	Nenoki	9,172,922 B1	10/2015	Skybell
D666,995 S	9/2012	Termeer	D743,415 S	11/2015	Pfriem
8,334,656 B2	12/2012	Weiss	9,179,107 B1	11/2015	Skybell
D677,297 S	3/2013	Bart	9,179,108 B1	11/2015	Skybell
D679,309 S	4/2013	Park	9,179,109 B1	11/2015	Skybell
D682,658 S	5/2013	Cramer	9,196,133 B2	11/2015	Skybell
D687,328 S *	8/2013	Clymer D10/104.1	9,197,867 B1	11/2015	Skybell
D687,446 S	8/2013	Arnold	D745,050 S	12/2015	Kwon
D687,841 S	8/2013	Arnold	D745,080 S	12/2015	Masano
D689,220 S	9/2013	Zhang	D745,546 S	12/2015	Johnson
D689,536 S	9/2013	Li	D746,165 S *	12/2015	Li D10/104.1
D692,847 S	11/2013	Barley	D746,166 S *	12/2015	Li D10/104.1
D693,839 S	11/2013	Craig	D747,384 S *	1/2016	Scalisi D10/118.2
D694,305 S	11/2013	Katori	D747,385 S *	1/2016	Scalisi D10/118.2
D694,306 S	11/2013	Katori	D747,640 S	1/2016	Scalisi
D701,521 S	3/2014	Kim	D747,755 S *	1/2016	Scalisi D16/203
D705,246 S	5/2014	Ranz	D747,756 S *	1/2016	Scalisi D16/203
D705,794 S	5/2014	Ranz	D748,178 S *	1/2016	Scalisi D10/118.2
D707,697 S	6/2014	Ranz	D748,180 S *	1/2016	Scalisi D16/203
D709,754 S	7/2014	Lylyk	9,230,424 B1 *	1/2016	Scalisi G08B 27/005
8,780,201 B1	7/2014	Skybell	9,237,318 B2	1/2016	Kasmir
D710,377 S	8/2014	Rydenhag	9,243,455 B2	1/2016	Harrison
D710,676 S	8/2014	Kiechel	9,247,219 B2	1/2016	Kasmir
D710,727 S	8/2014	Siminoff	D750,112 S	2/2016	Kim
D710,728 S	8/2014	Siminoff	D751,446 S	3/2016	Lin
D711,275 S	8/2014	Skybell	D752,076 S	3/2016	Guesnon, Jr.
D711,903 S	8/2014	Mishra	D753,664 S	4/2016	McClelland
8,823,795 B1	9/2014	Skybell	9,342,936 B2	5/2016	Scalisi
8,834,044 B2	9/2014	Uehara	D758,470 S *	6/2016	Kircher D16/215
8,842,180 B1	9/2014	Skybell	D764,958 S	8/2016	Scalisi
8,872,915 B1	10/2014	Skybell	D765,530 S	9/2016	Scalisi
D719,205 S	12/2014	Matsumoto	D766,121 S *	9/2016	Scalisi D10/118.2
D719,994 S	12/2014	Wang	D773,947 S *	12/2016	Scarcella D10/104.1
			D778,195 S	2/2017	Li
			9,584,775 B2	2/2017	Siminoff
			D795,115 S *	8/2017	Parker D10/118.2
			D795,728 S *	8/2017	Parker D10/118.2

(56)

References Cited

U.S. PATENT DOCUMENTS

D795,937 S * 8/2017 Chang D16/202
 9,769,435 B2 * 9/2017 Scalisi H04N 7/188
 D799,359 S * 10/2017 Zhang D10/118.2
 D803,922 S * 11/2017 Chang D16/203
 D809,951 S * 2/2018 Yang D10/104.1
 D812,577 S * 3/2018 Turksu D13/168
 2004/0124978 A1 7/2004 Chen
 2007/0067798 A1 3/2007 Wroblewski
 2008/0036862 A1 2/2008 Lang
 2011/0156566 A1 6/2011 Chen
 2013/0045763 A1 2/2013 Ruiz
 2014/0125754 A1 5/2014 Haywood
 2014/0157329 A1 6/2014 Roberts
 2015/0022618 A1 1/2015 Siminoff
 2015/0049191 A1 2/2015 Skybell
 2015/0082172 A1 3/2015 Shakib
 2015/0228167 A1 * 8/2015 Scalisi G08B 3/10
 340/326
 2015/0319411 A1 11/2015 Kasmir
 2015/0341603 A1 11/2015 Kasmir
 2015/0358515 A1 12/2015 Resnick
 2016/0044287 A1 2/2016 Scalisi
 2016/0070432 A1 3/2016 Caporal
 2016/0284170 A1 * 9/2016 Kasmir H04L 12/2818

2016/0300476 A1 * 10/2016 Kasmir H04M 1/0291
 2017/0048495 A1 * 2/2017 Scalisi H04L 12/2818
 2017/0084131 A1 * 3/2017 Harrison G08B 3/10
 2017/0084132 A1 * 3/2017 Scalisi H04L 12/2818
 2017/0280109 A1 * 9/2017 Scalisi H04N 5/2257
 2017/0339262 A1 * 11/2017 Scalisi H04M 11/025
 2017/0373876 A1 * 12/2017 Scalisi H04L 12/2818
 2017/0373877 A1 * 12/2017 Scalisi H04L 12/2818
 2018/0069722 A1 * 3/2018 Scalisi H04L 12/2818

OTHER PUBLICATIONS

“NPL 2,” (via YouTube), available Sep. 11, 2015, [online], [site visited May 28, 2018]. Video available from internet, <URL:https://www.youtube.com/watch?v=ARQsMkjUYgs> (Year: 2015).
 MySkyBell.com (later SkyBell.com)—Downloaded on Nov. 18, 2013 from http://www.myskybell.com.
 DefenDoor by Glate LLC—Downloaded on Dec. 11, 2014 from https://www.kickstarter.com/projects/85455040/defendoor-a-home-security-system-that-syncs-with-y.
 EyeTalk—Downloaded on May 24, 2013 from http://www.revolutionaryconceptsinc.com/forhome.html.
 August Smart Lock—Downloaded on Oct. 10, 2014 from www.August.com.

* cited by examiner

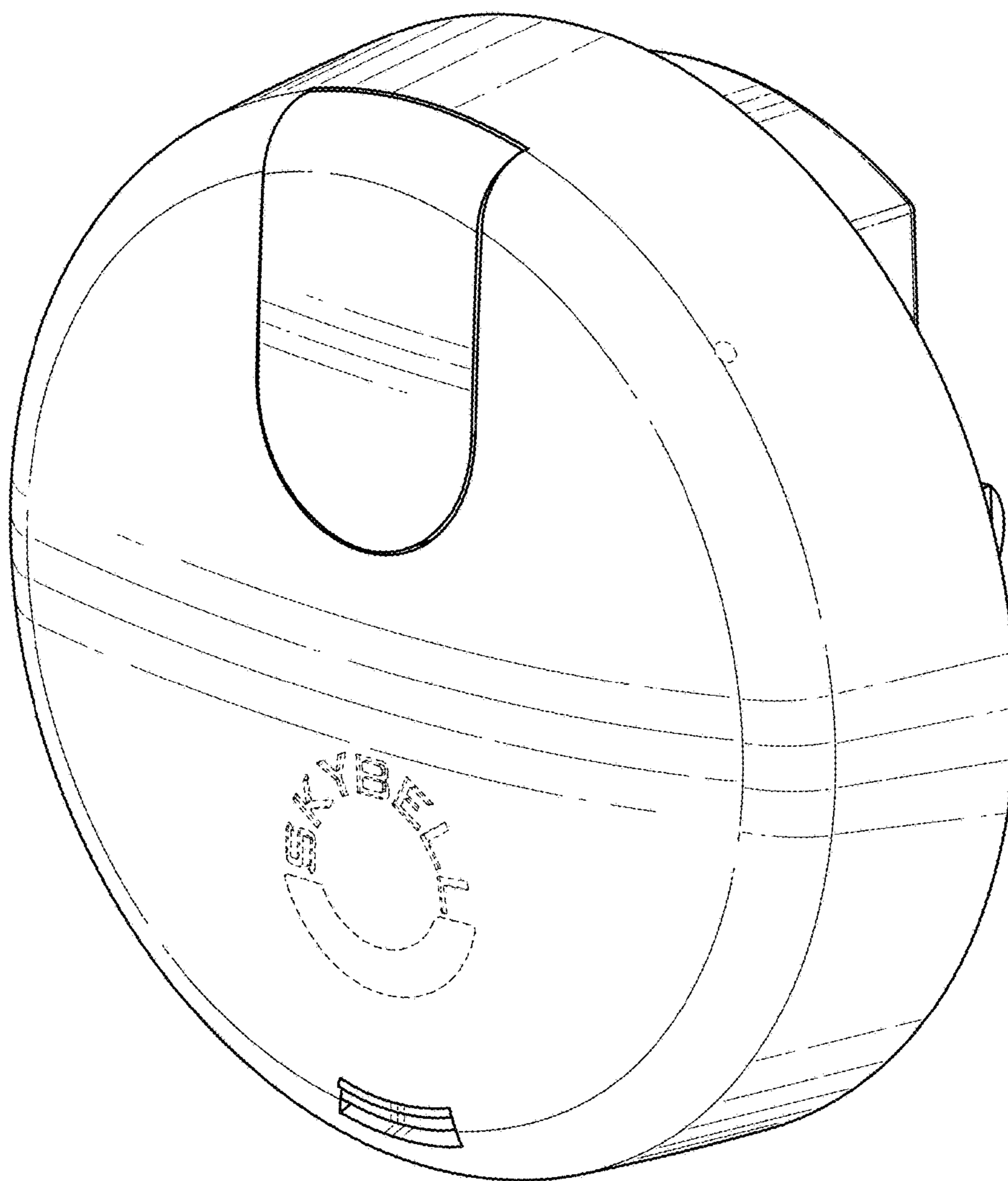


FIG. 1

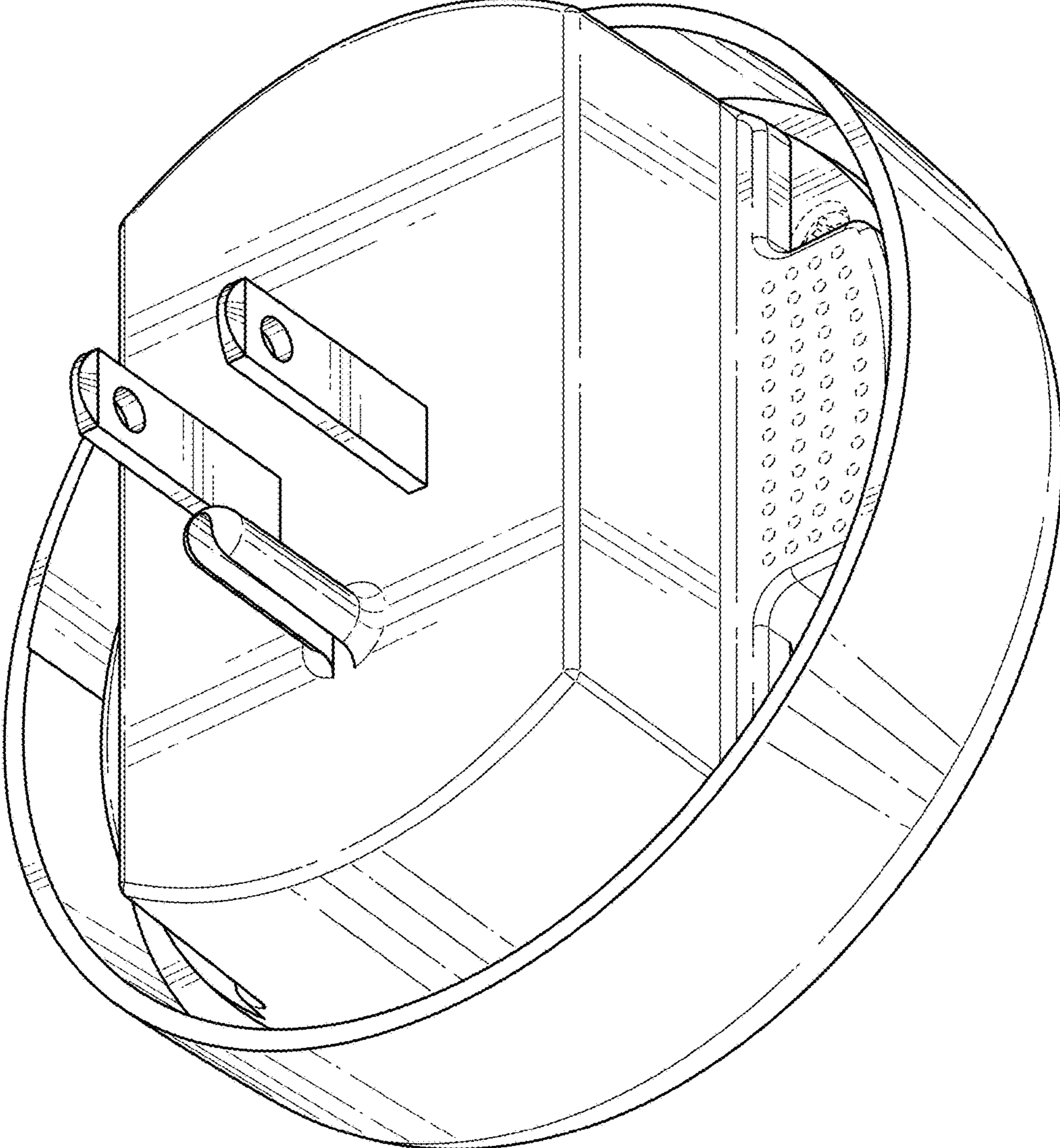


FIG. 2

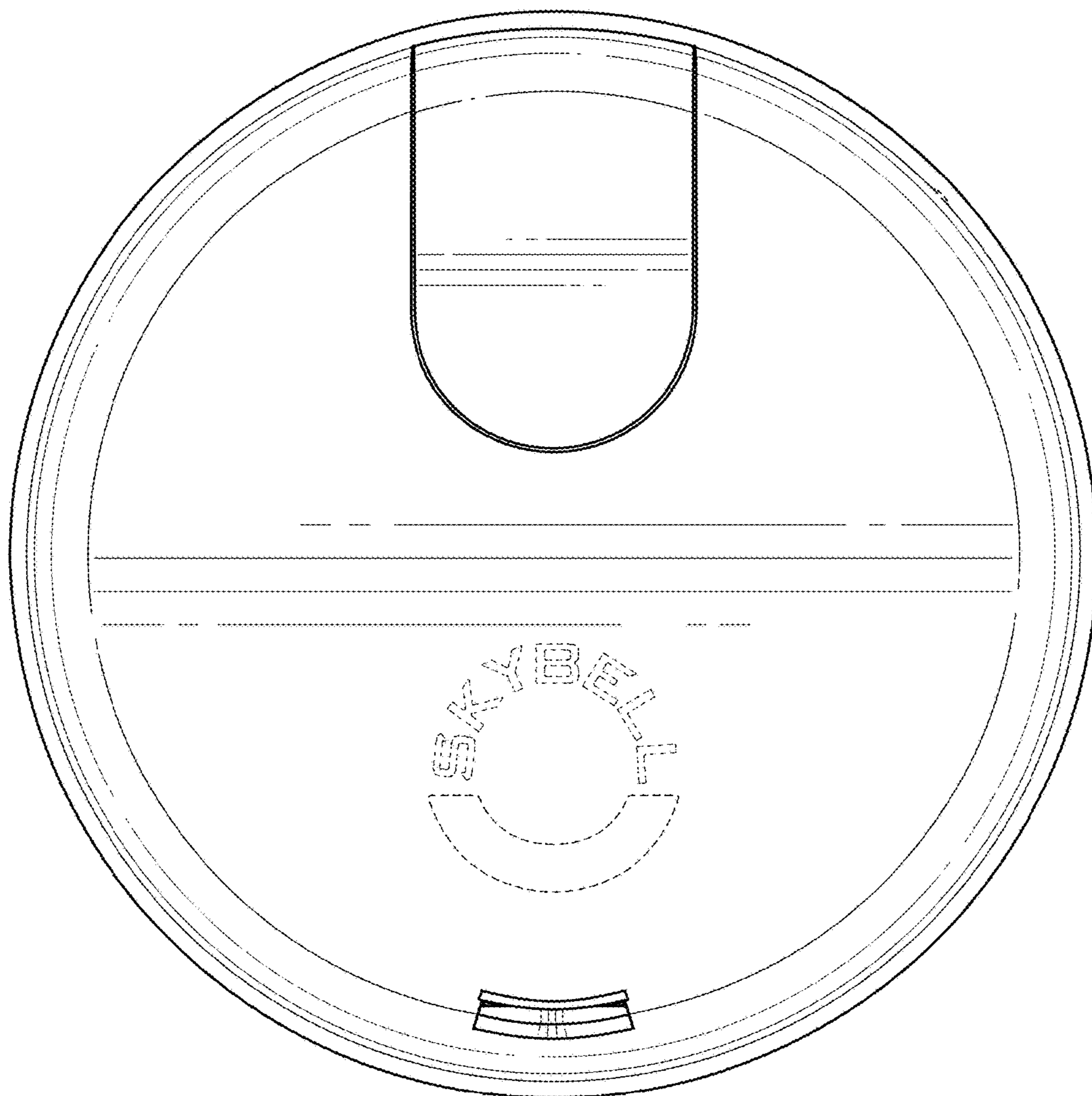


FIG. 3

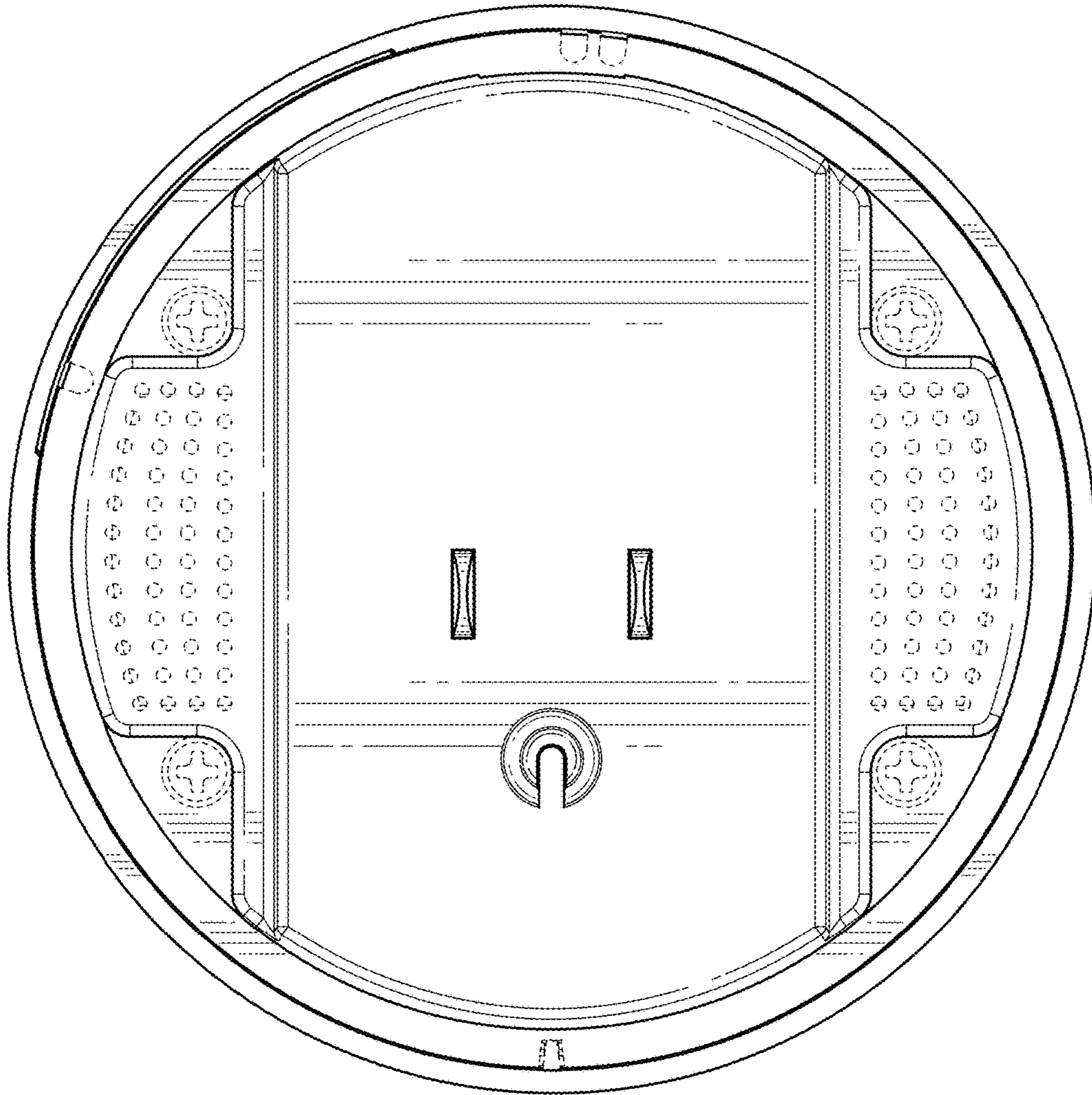


FIG. 4

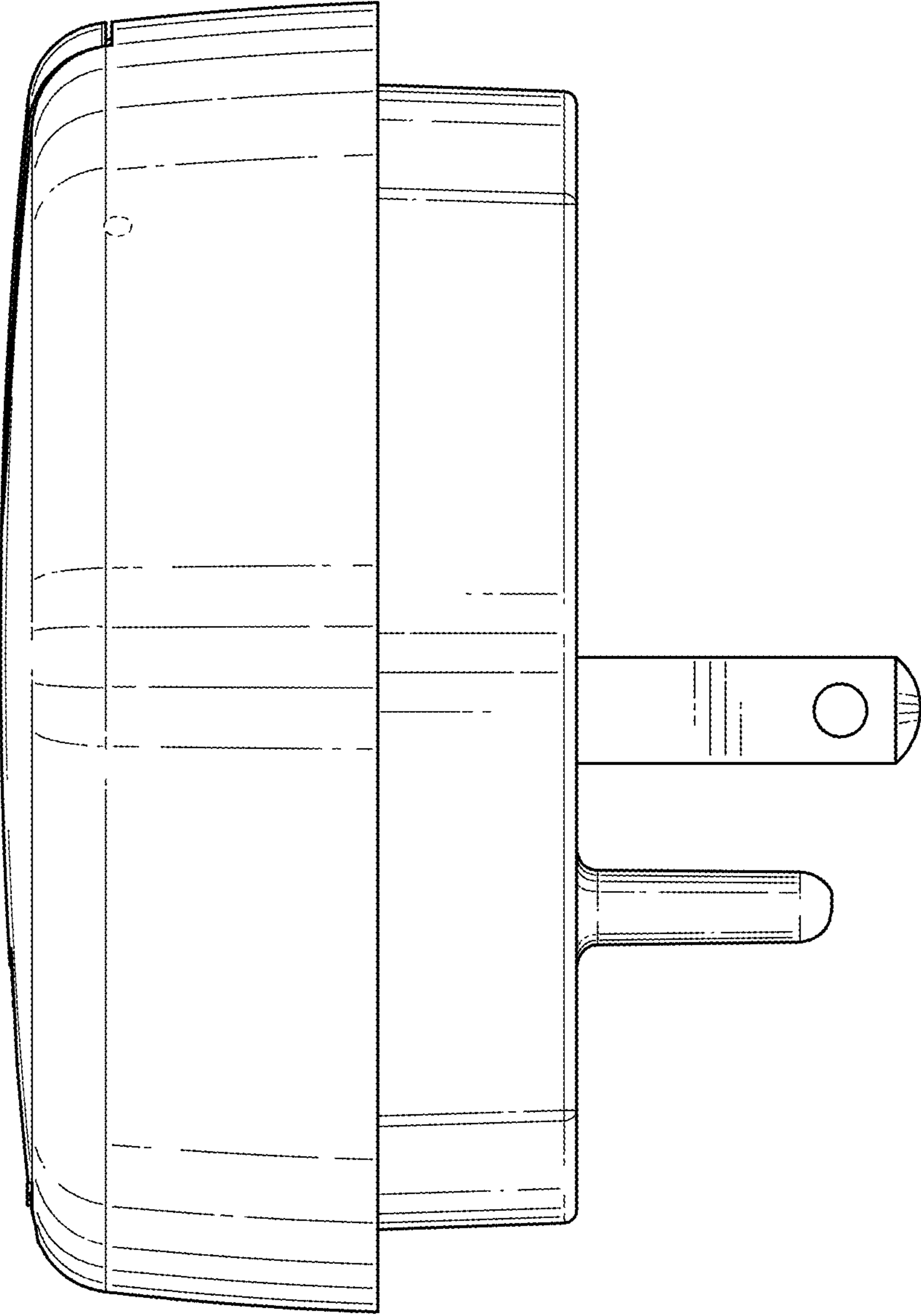


FIG. 5

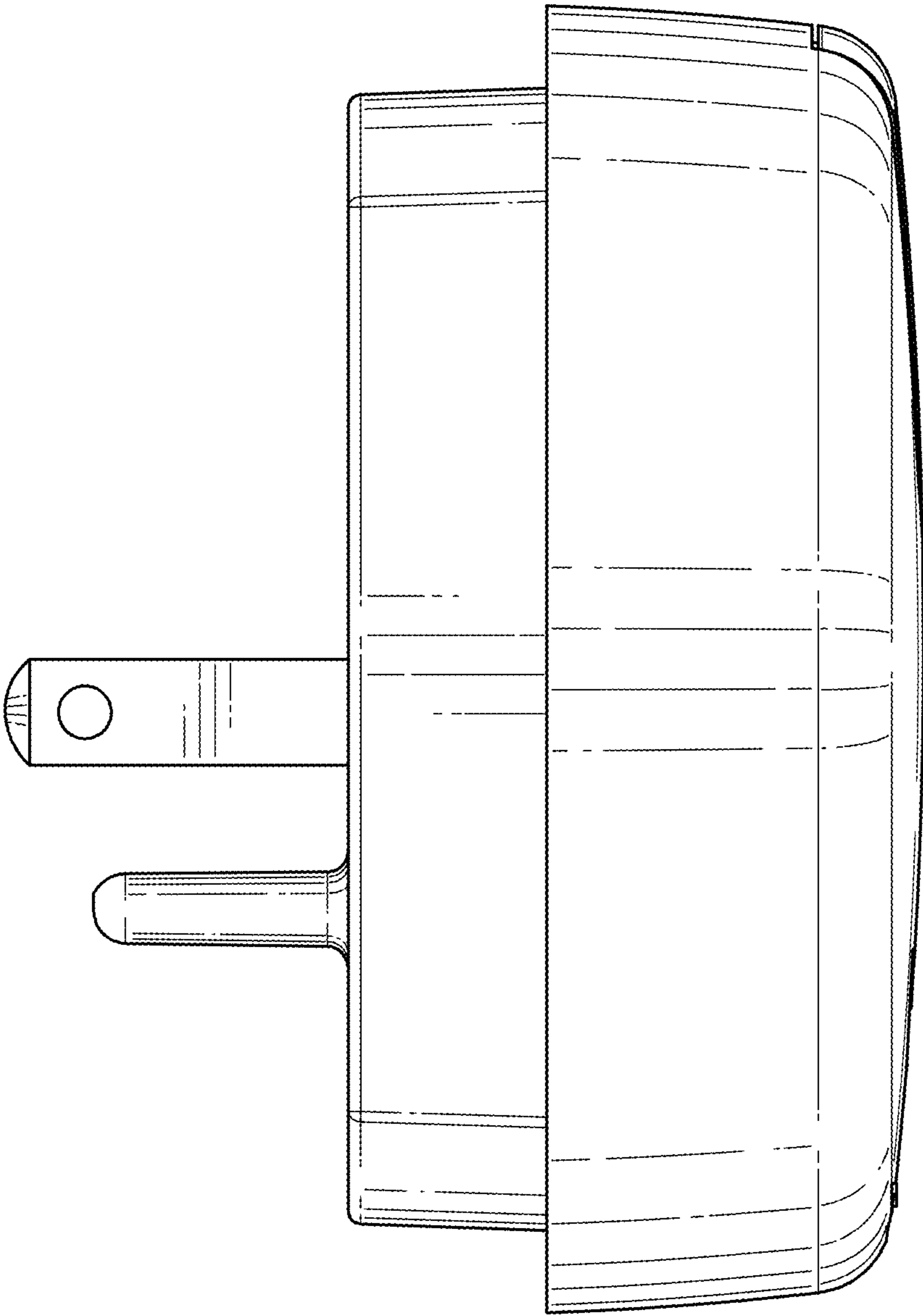


FIG. 6

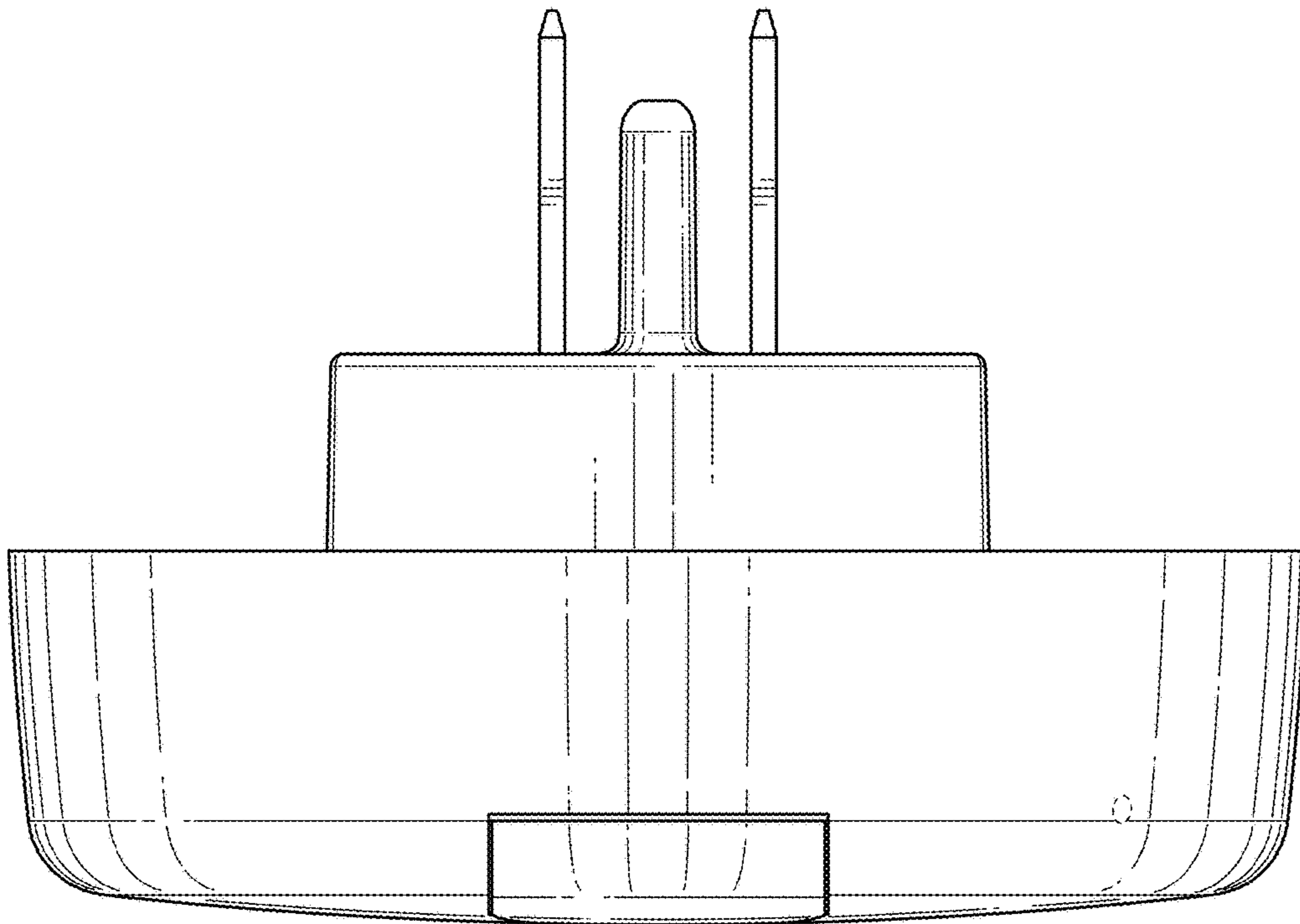


FIG. 7

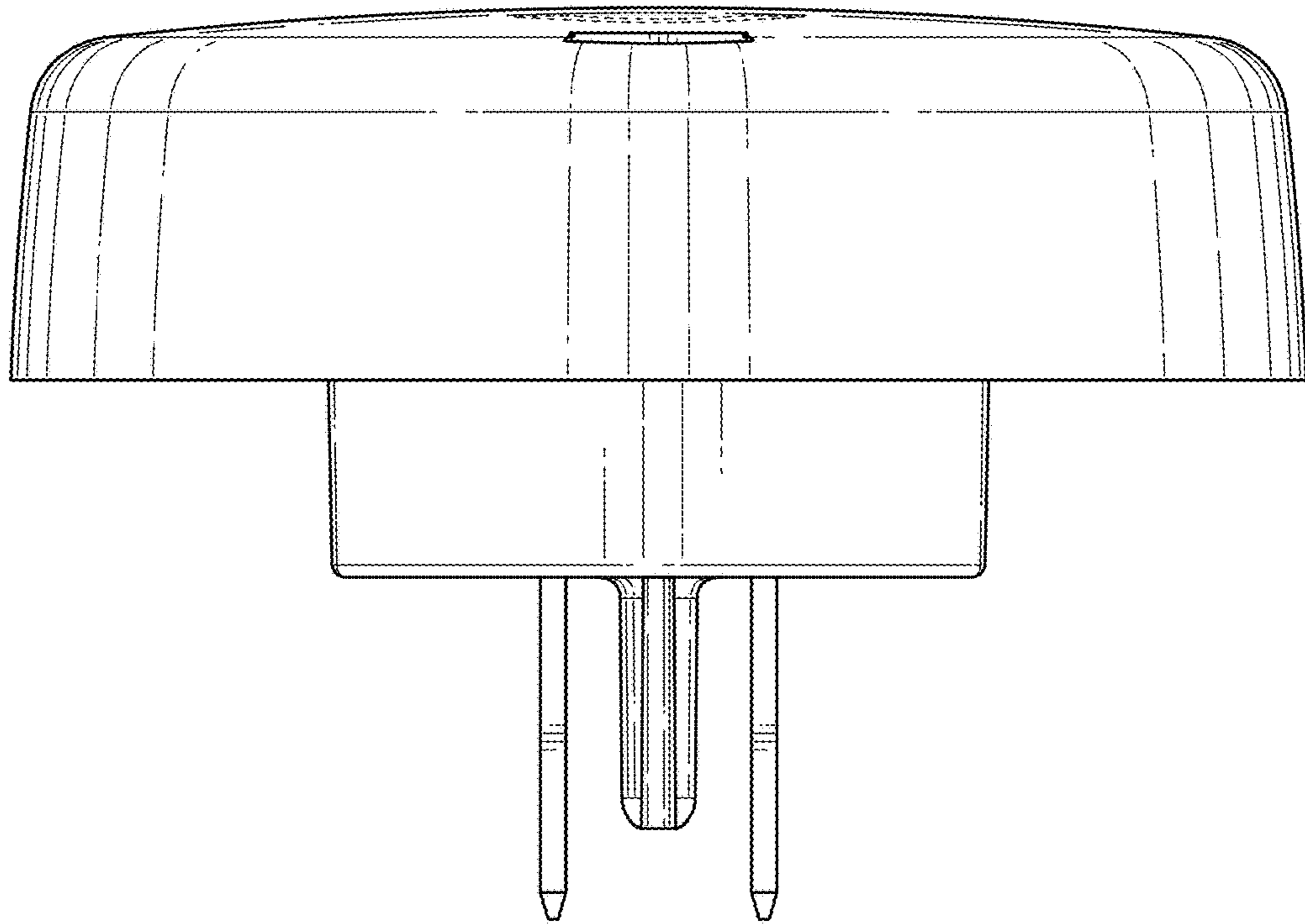


FIG. 8