



US00D824785S

(12) **United States Design Patent** (10) **Patent No.:** **US D824,785 S**  
**Tolani** (45) **Date of Patent:** **\*\* Aug. 7, 2018**

- (54) **WATCH CASE**
- (71) Applicant: **Vishal Tolani**, Kowloon (HK)
- (72) Inventor: **Vishal Tolani**, Kowloon (HK)
- (\*\*) Term: **15 Years**
- (21) Appl. No.: **29/619,096**
- (22) Filed: **Sep. 27, 2017**
- (51) **LOC (11) Cl.** ..... **10-02**
- (52) **U.S. Cl.**  
 USPC ..... **D10/38; D10/128**
- (58) **Field of Classification Search**  
 USPC ..... D10/1-3, 6, 14-16, 23, 30-39, 41, 65,  
 D10/70, 122-132; D11/16, 40, 43, 75;  
 D14/171, 344
- See application file for complete search history.

(56) **References Cited**

U.S. PATENT DOCUMENTS

|                |         |          |       |                       |
|----------------|---------|----------|-------|-----------------------|
| D432,434 S *   | 10/2000 | Hysek    | ..... | D10/30                |
| D544,372 S *   | 6/2007  | Seyr     | ..... | D10/32                |
| D573,486 S *   | 7/2008  | Sanz     | ..... | D10/38                |
| D573,488 S *   | 7/2008  | Sanz     | ..... | D10/39                |
| D578,902 S *   | 10/2008 | Hoshino  | ..... | D10/128               |
| D578,922 S *   | 10/2008 | Hoshino  | ..... | D10/128               |
| D618,118 S *   | 6/2010  | Dolce    | ..... | D10/38                |
| D655,630 S *   | 3/2012  | Behling  | ..... | D10/38                |
| 8,366,313 B2 * | 2/2013  | Scioscia | ..... | G04B 37/05<br>368/281 |
| D690,611 S *   | 10/2013 | Inoue    | ..... | D10/39                |
| D736,103 S *   | 8/2015  | Behling  | ..... | D10/30                |
| D744,864 S *   | 12/2015 | Behling  | ..... | D10/30                |
| D744,866 S *   | 12/2015 | Behling  | ..... | D10/126               |
| 9,360,841 B1 * | 6/2016  | Tolani   | ..... | G04B 3/045            |

|                   |         |            |       |                         |
|-------------------|---------|------------|-------|-------------------------|
| D814,947 S *      | 4/2018  | Emmenegger | ..... | D10/39                  |
| D815,961 S *      | 4/2018  | Emmenegger | ..... | D10/30                  |
| D816,517 S *      | 5/2018  | Emmenegger | ..... | D10/39                  |
| 2008/0304372 A1 * | 12/2008 | Seyr       | ..... | G04B 19/283<br>368/309  |
| 2010/0135128 A1 * | 6/2010  | Penula     | ..... | G04B 37/0008<br>368/281 |

\* cited by examiner

*Primary Examiner* — Sandra S Snapp  
*Assistant Examiner* — Katherine Glennon  
 (74) *Attorney, Agent, or Firm* — Law Office of Ilya Libenzon

(57) **CLAIM**

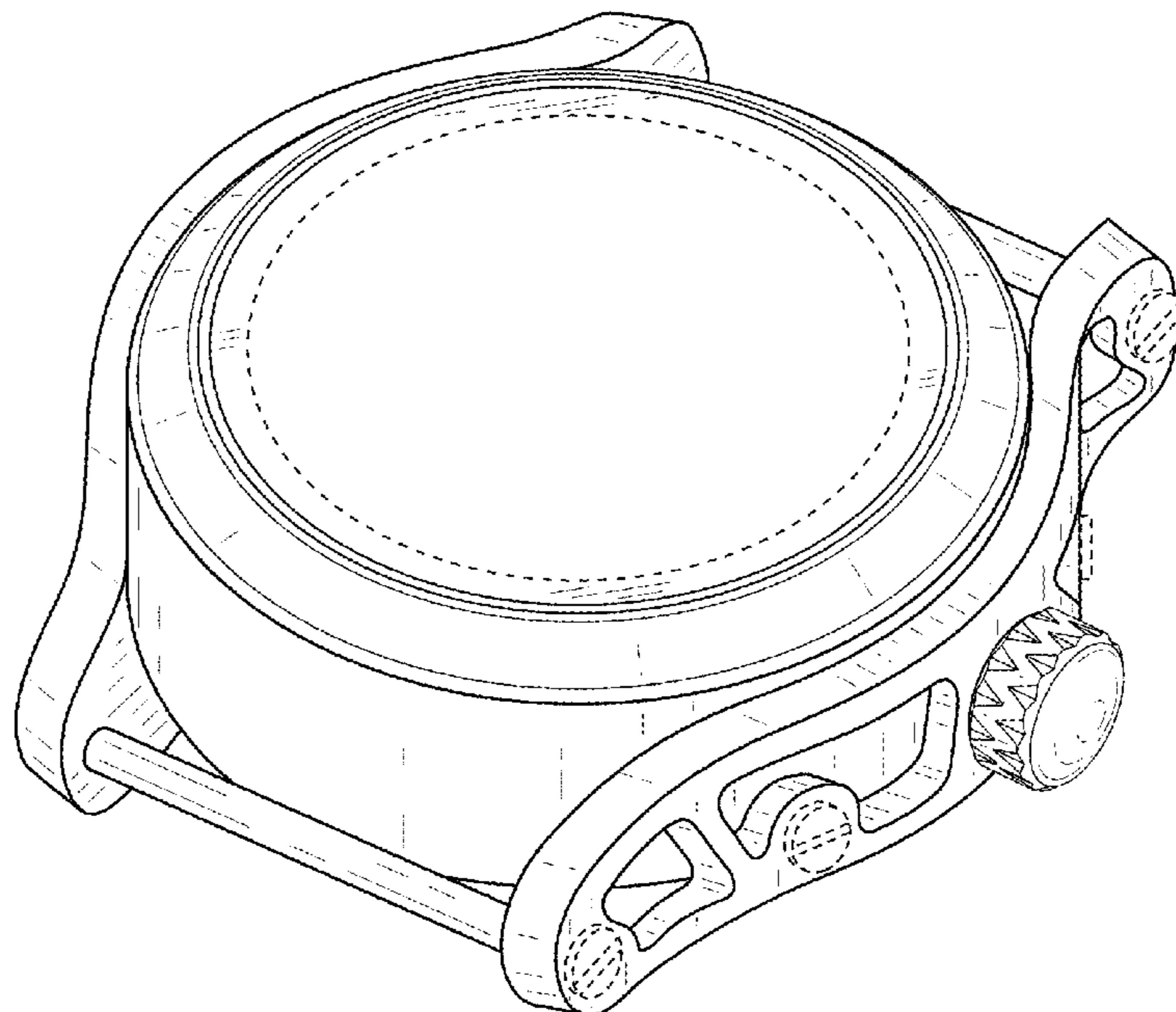
What is claimed is the ornamental design for a watch case, as shown and described.

**DESCRIPTION**

FIG. 1 is a perspective view of a watch case according to the present invention;  
 FIG. 2 is a front view of the watch case according to the present invention;  
 FIG. 3 is a rear view of the watch case according to the present invention;  
 FIG. 4 is a left side view of the watch case according to the present invention;  
 FIG. 5 is a right side view of the watch case according to the present invention;  
 FIG. 6 is a top view of the watch case according to the present invention; and,  
 FIG. 7 is a bottom view of the watch case according to the present invention.

The broken lines in the drawing depict parts of a watch case that form no part of the claimed design.

**1 Claim, 6 Drawing Sheets**



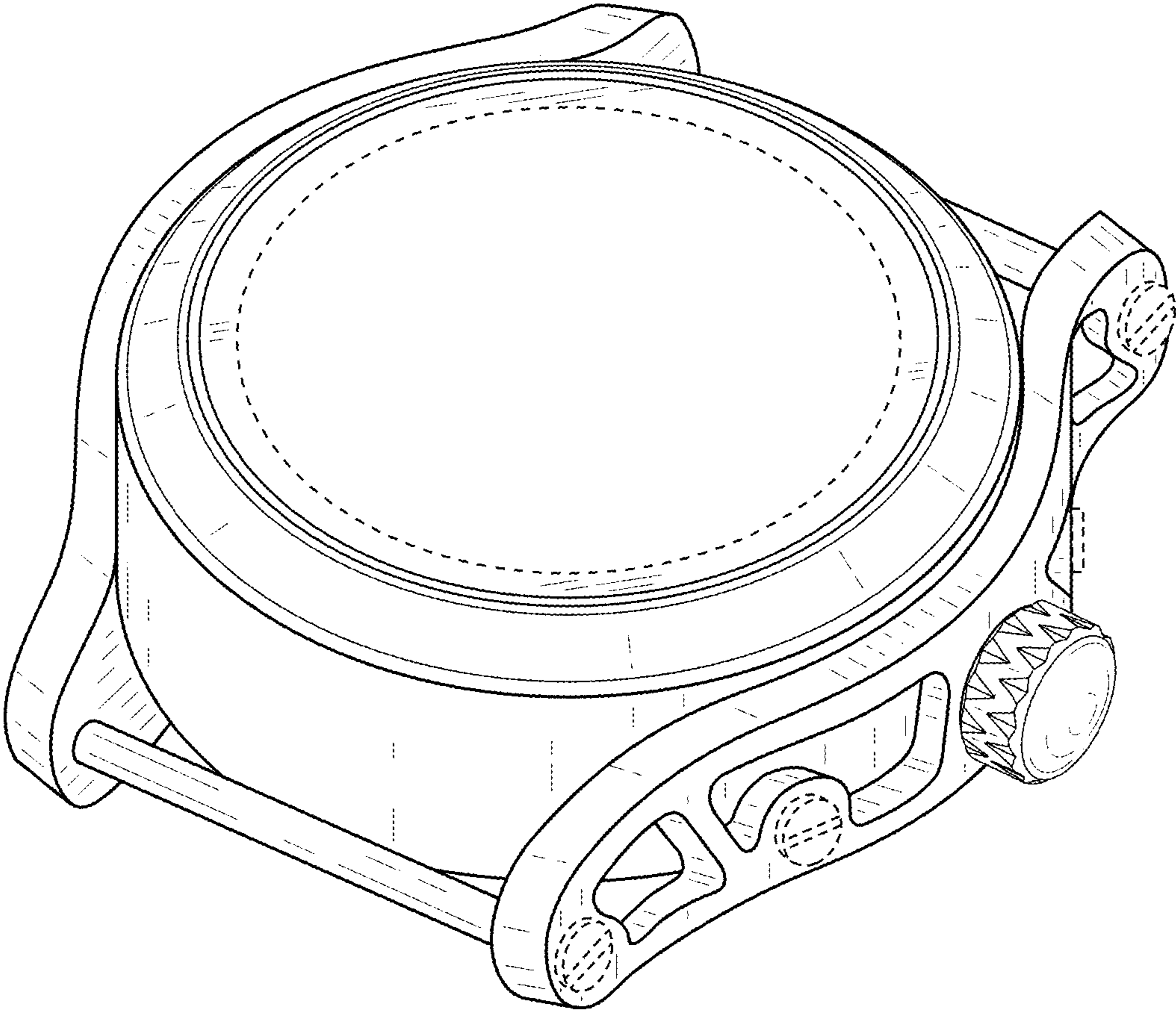


FIG. 1

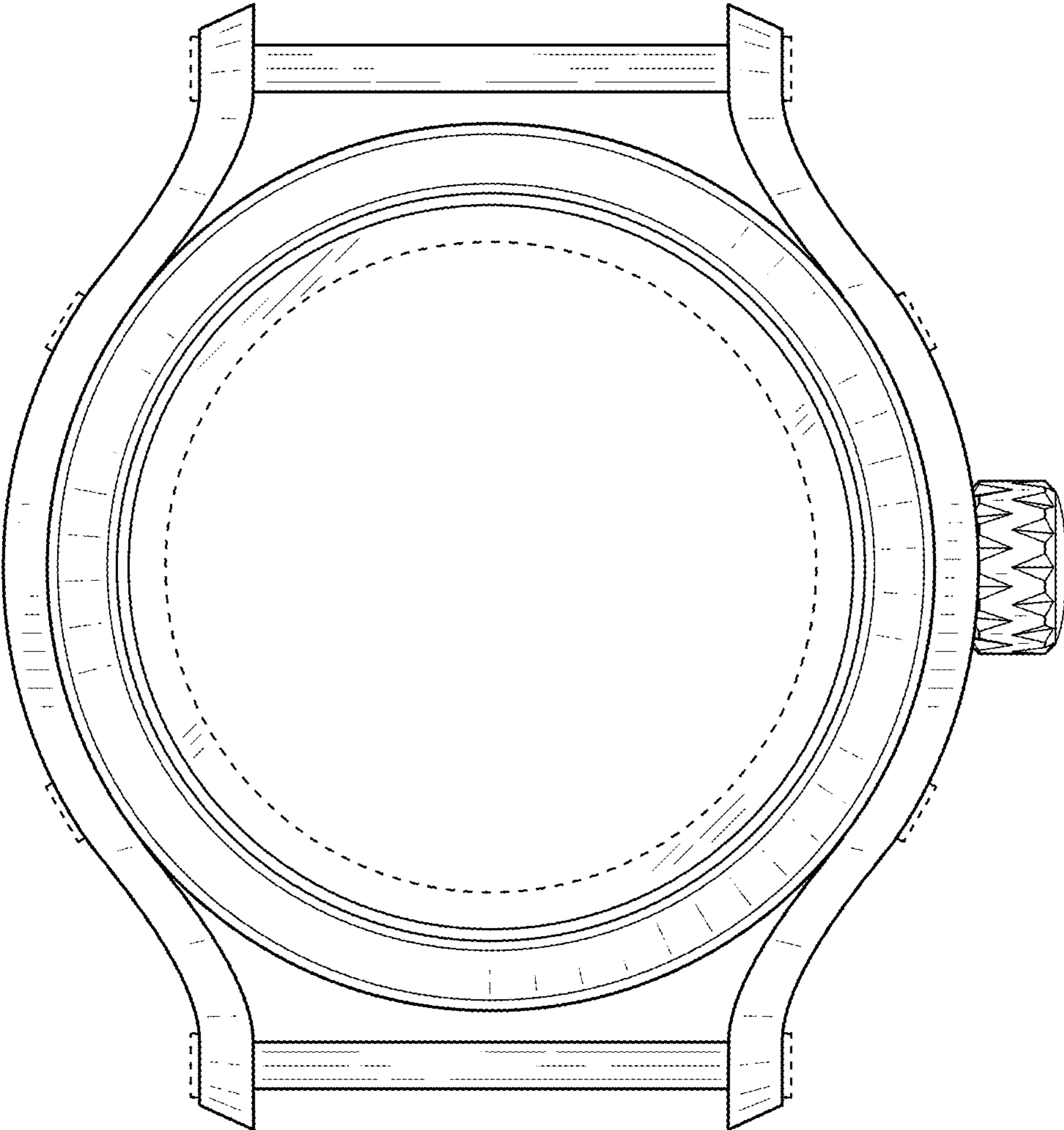


FIG. 2

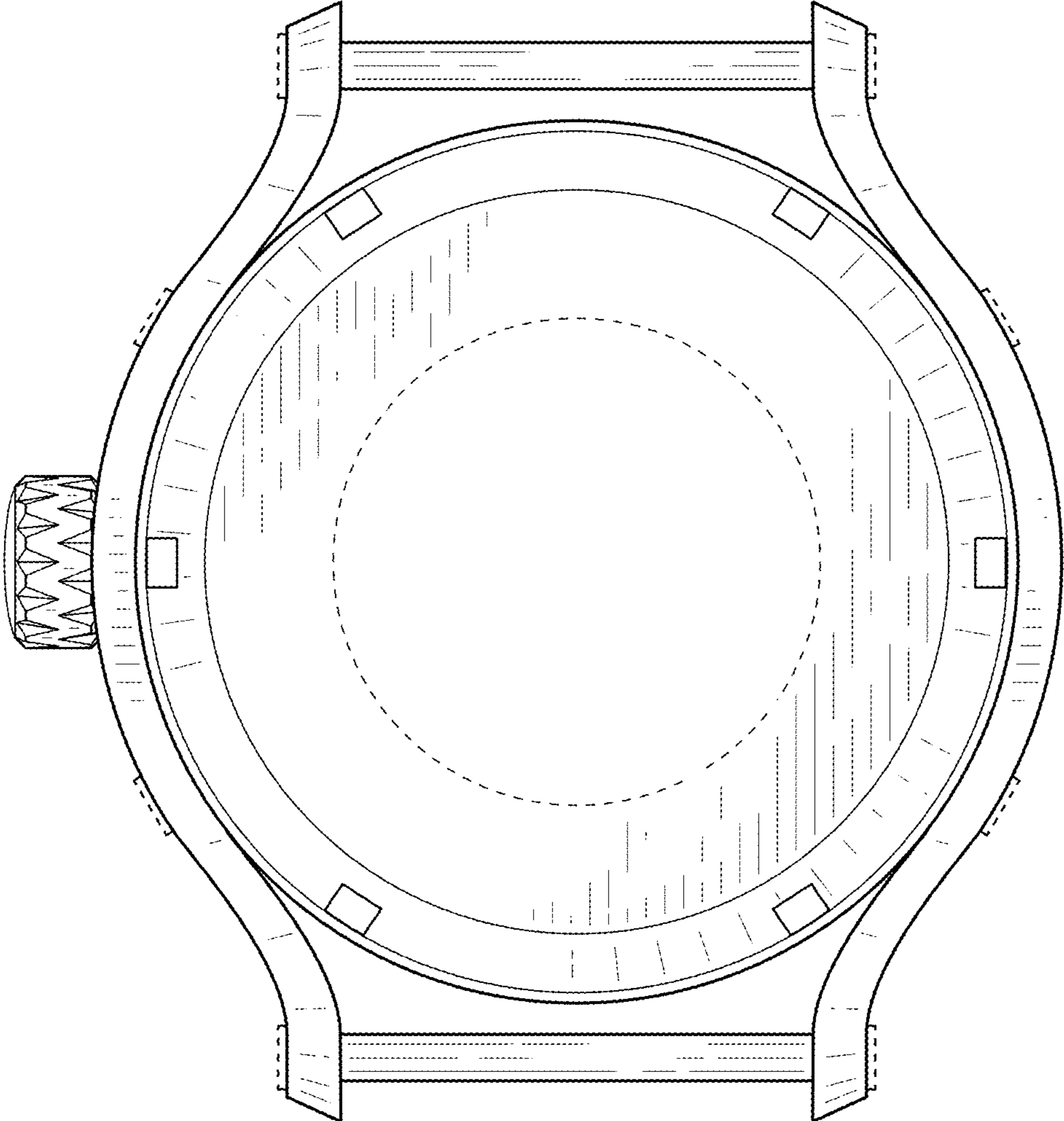


FIG. 3

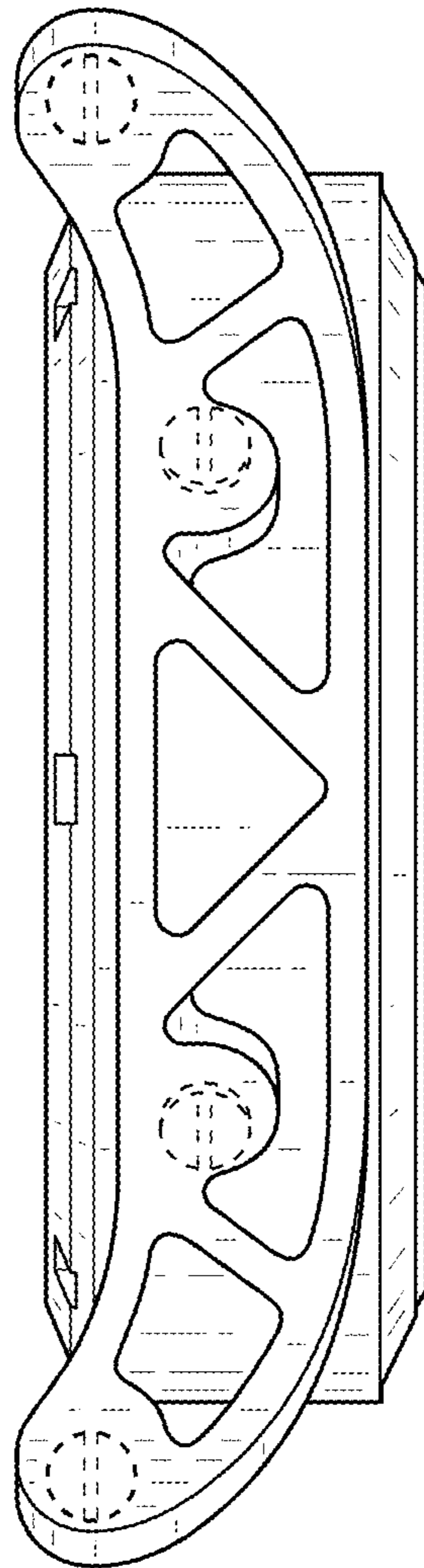


FIG. 4

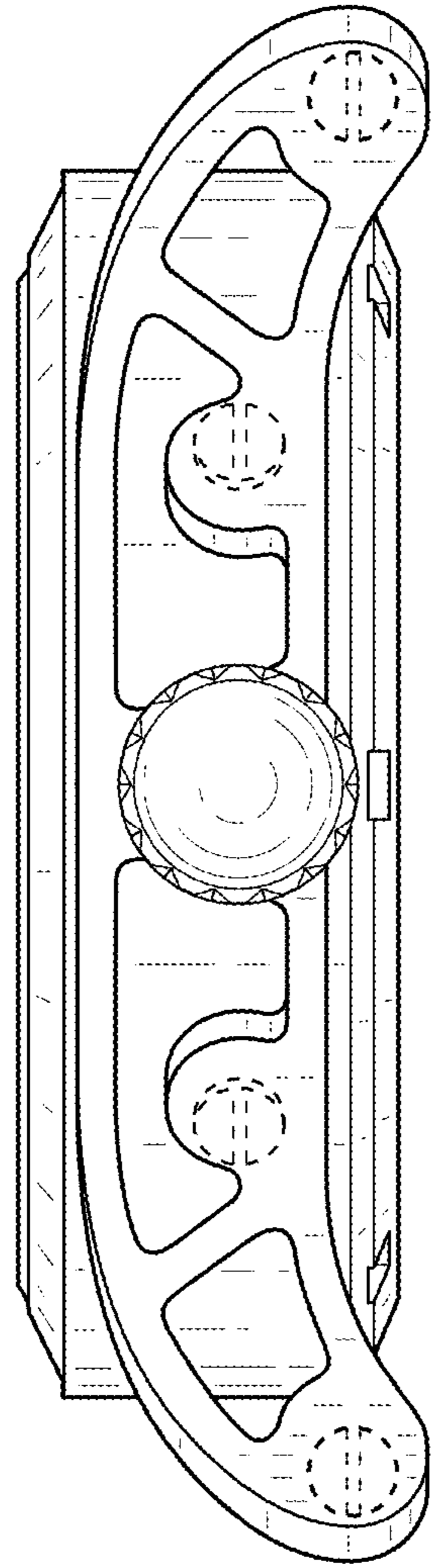


FIG. 5

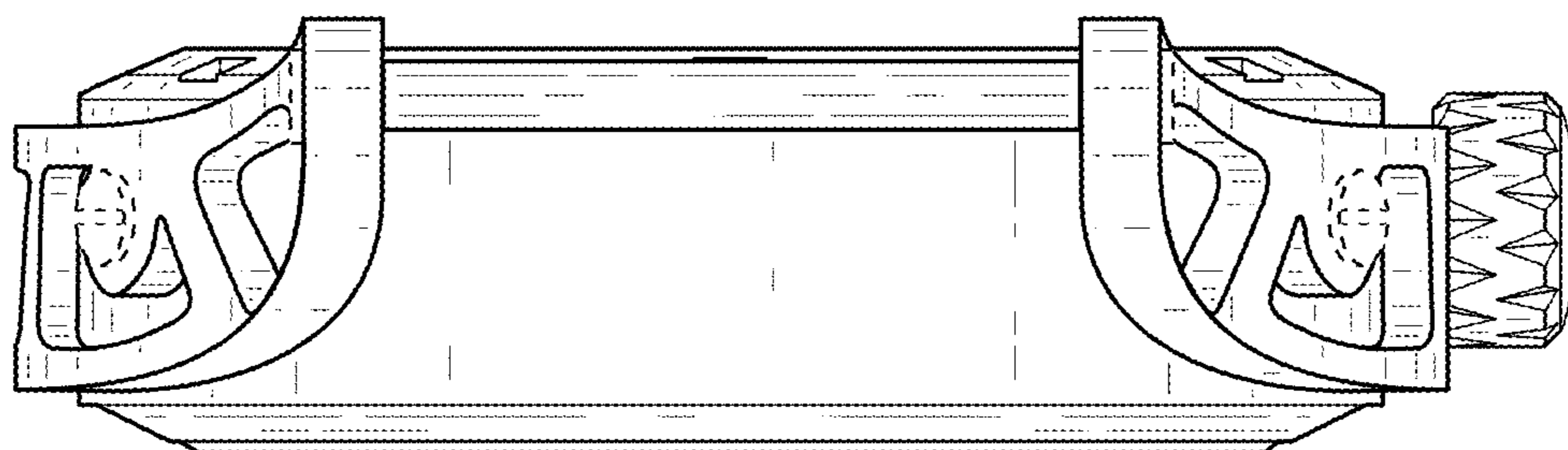


FIG. 6

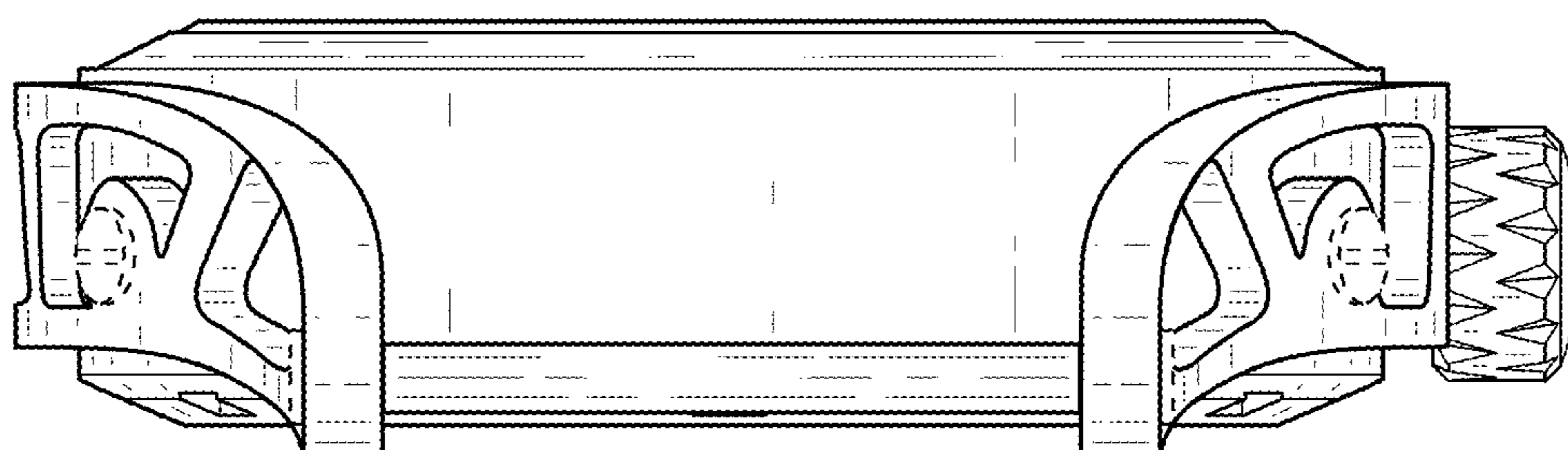


FIG. 7