



US00D824783S

(12) **United States Design Patent**
Bernheim

(10) **Patent No.:** **US D824,783 S**

(45) **Date of Patent:** **** Aug. 7, 2018**

(54) **WATCH**

(71) Applicant: **MONDAINE WATCH LTD**, Pfäffikon
Sz (CH)

(72) Inventor: **André Bernheim**, Meilen (CH)

(**) Term: **15 Years**

(21) Appl. No.: **35/502,643**

(22) Filed: **Feb. 20, 2017**

(80) **Hague Agreement Data**

Int. Filing Date: **Feb. 20, 2017**

Int. Reg. No.: **DM/095127**

Int. Reg. Date: **Feb. 20, 2017**

Int. Reg. Pub. Date: **Mar. 17, 2017**

(51) **LOC (11) Cl.** **10-02**

(52) **U.S. Cl.**
USPC **D10/30**

(58) **Field of Classification Search**

USPC D10/30, 38

CPC G04B 19/283

See application file for complete search history.

(56) **References Cited**

U.S. PATENT DOCUMENTS

3,427,800 A * 2/1969 Blum G04B 19/283

368/223

D320,749 S * 10/1991 Tsukahara D10/30

D349,251 S * 8/1994 Goto D10/30

D350,074 S * 8/1994 Giardiello D10/30

D361,527 S * 8/1995 Hayashi D10/30

D365,028 S * 12/1995 Tonohori D10/30

D391,501 S * 3/1998 Giardiello D10/30

D776,550 S * 1/2017 Nakai D10/132

* cited by examiner

Primary Examiner — George D. Kirschbaum

(57) **CLAIM**

The ornamental design for a watch, as shown and described.

DESCRIPTION

Figure 1.1 : Front side view of an embodiment of the invention.

Figure 1.2 : Bottom side view of an embodiment of the invention.

Figure 1.3 : Back side view of an embodiment of the invention.

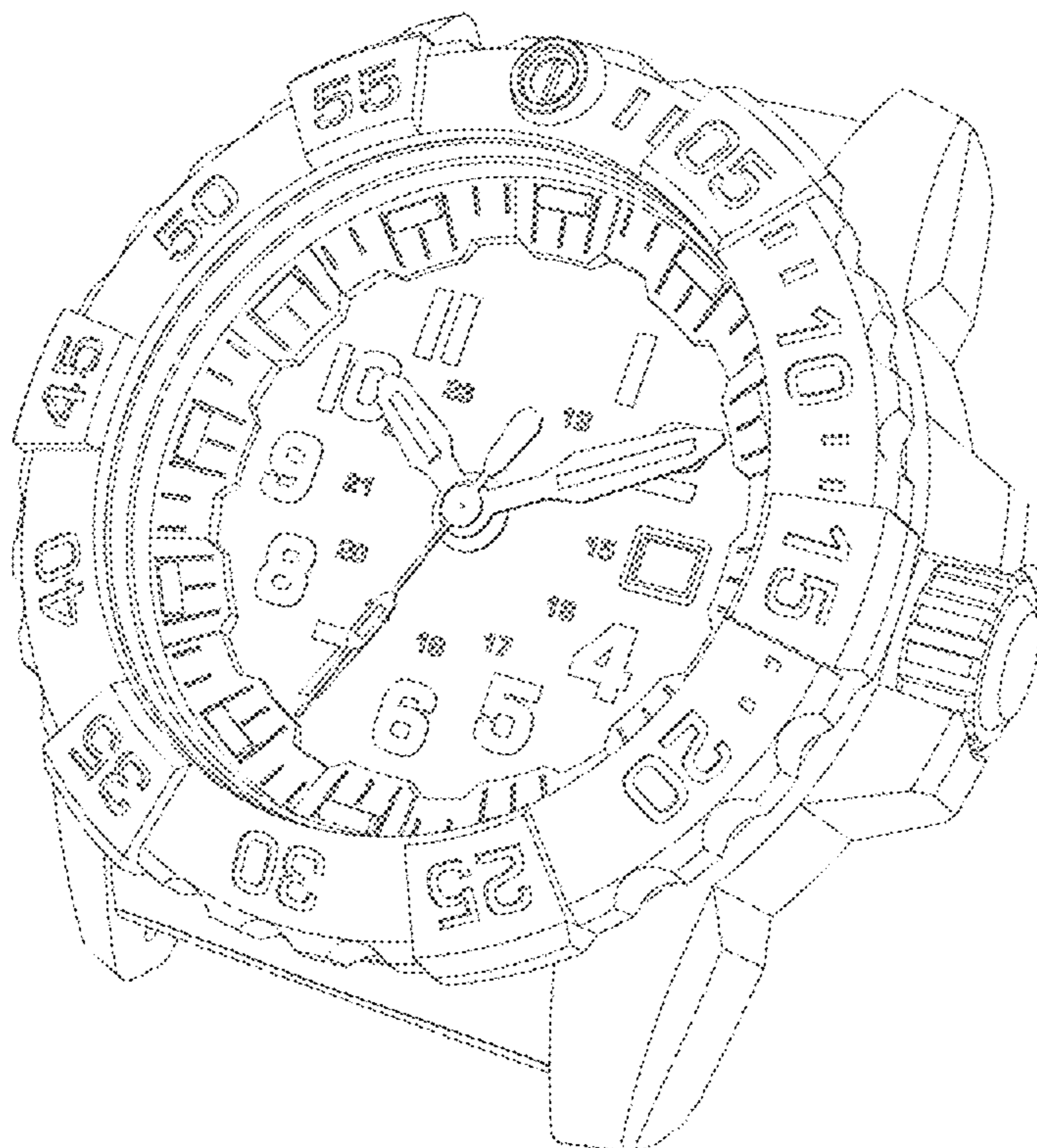
Figure 1.4 : Top side view of an embodiment of the invention.

Figure 1.5 : Right side view of an embodiment of the invention.

Figure 1.6 : Left view of an embodiment of the invention.

Figure 1.7 : Perspective side view of an embodiment of the invention.

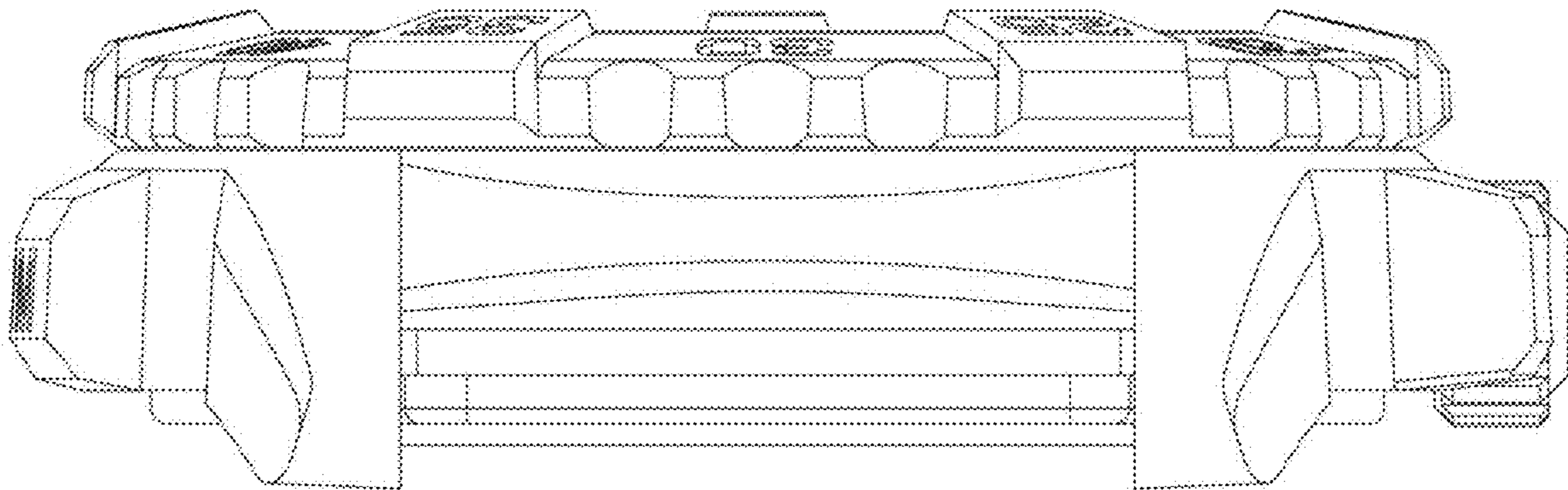
1 Claim, 7 Drawing Sheets



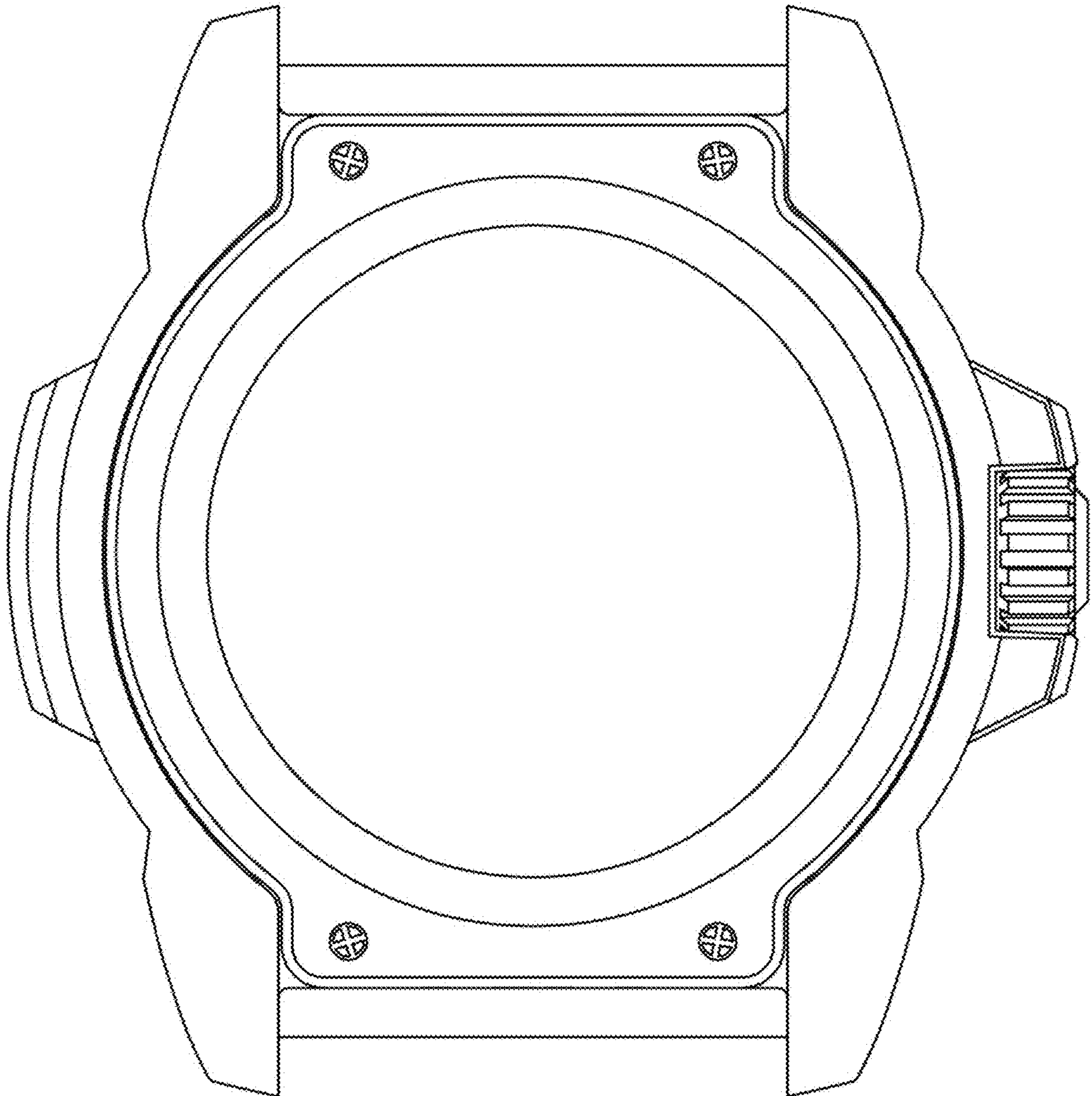
1.1



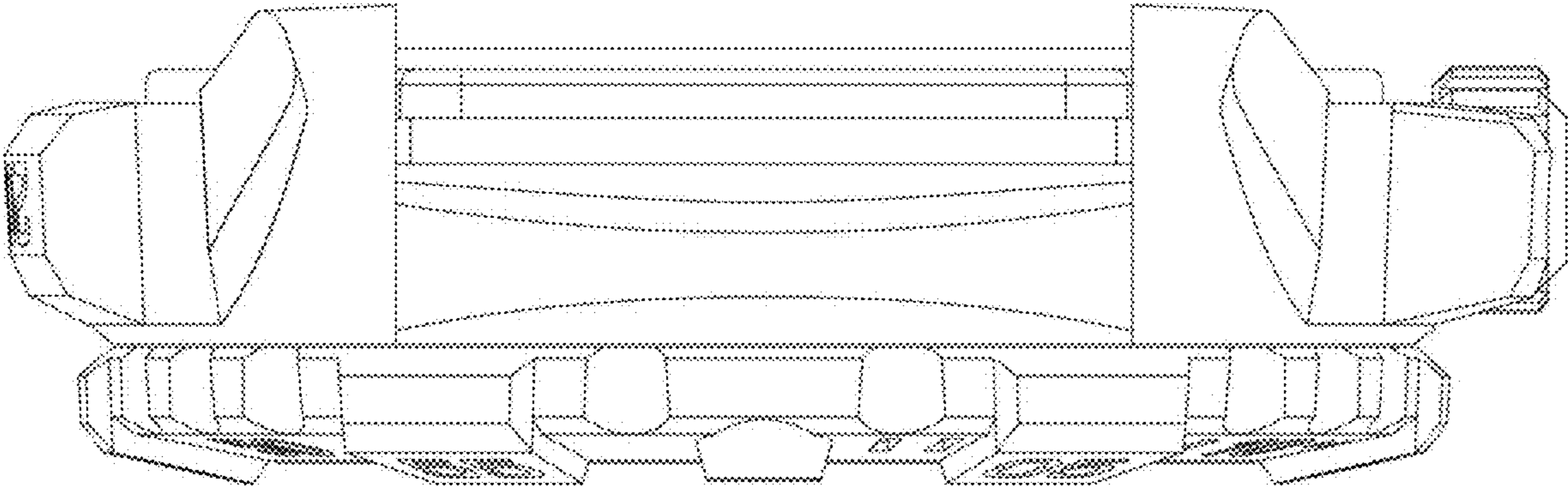
1.2



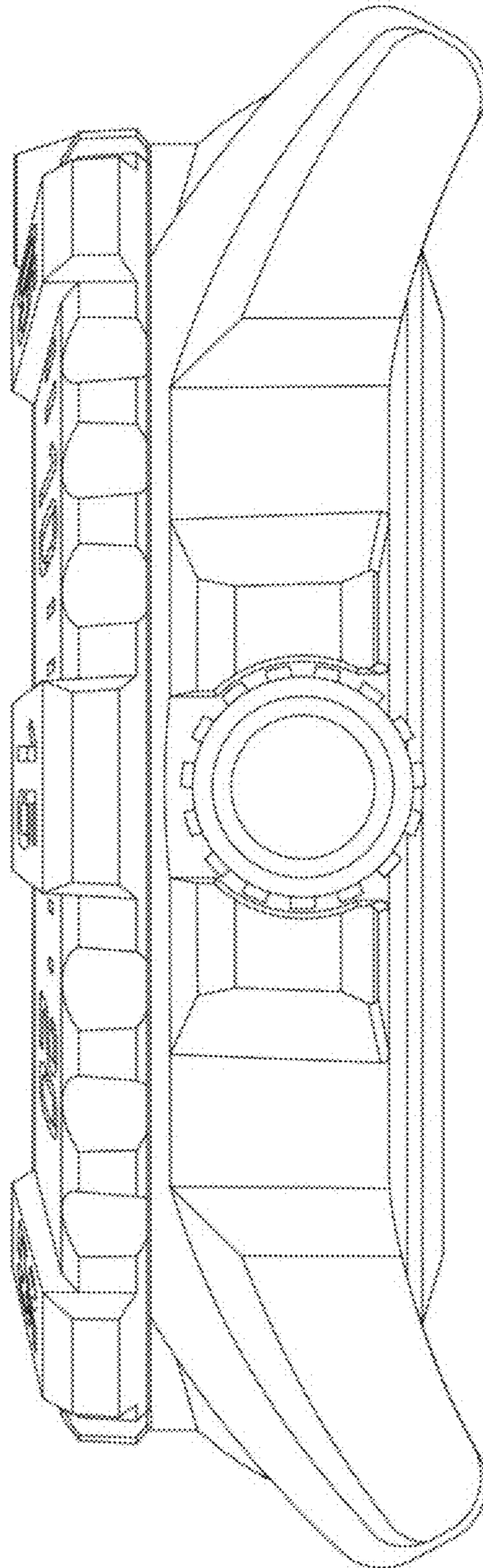
1.3



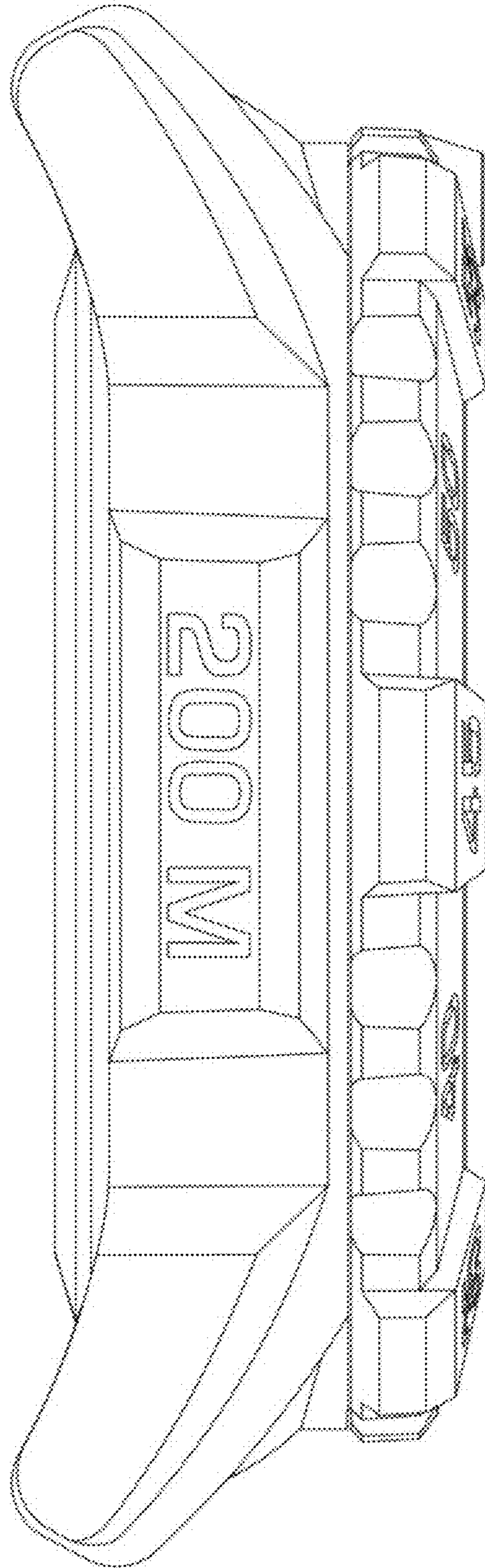
1.4



1.5



1.6



1.7

