

US00D824782S

(12) **United States Design Patent**
Bernheim

(10) **Patent No.:** **US D824,782 S**

(45) **Date of Patent:** **** Aug. 7, 2018**

(54) **WATCH**

(71) Applicant: **MONDAINE WATCH LTD**, Pfäffikon
Sz (CH)

(72) Inventor: **André Bernheim**, Meilen (CH)

(**) Term: **15 Years**

(21) Appl. No.: **35/502,589**

(22) Filed: **Jan. 24, 2017**

(80) **Hague Agreement Data**

Int. Filing Date: **Jan. 24, 2017**

Int. Reg. No.: **DM/094911**

Int. Reg. Date: **Jan. 24, 2017**

Int. Reg. Pub. Date: **Mar. 10, 2017**

(51) **LOC (11) Cl.** **10-02**

(52) **U.S. Cl.**
USPC **D10/30**

(58) **Field of Classification Search**
USPC D10/30, 32, 38-39
See application file for complete search history.

(56) **References Cited**

U.S. PATENT DOCUMENTS

D379,769 S * 6/1997 Schoepfer D10/39
D391,501 S * 3/1998 Giardiello D10/30

D416,498 S * 11/1999 Blondin D10/39
D447,427 S * 9/2001 Finazzi D10/39
D536,994 S * 2/2007 Sugisawa D10/31
D618,118 S * 6/2010 Dolce D10/38
D672,664 S * 12/2012 Monachon D10/32
D717,181 S * 11/2014 Vukceyic D10/38
D730,201 S * 5/2015 Giannini D10/39
D732,982 S * 6/2015 Monachon D10/38
D773,320 S * 12/2016 Belamich D10/38
D797,576 S * 9/2017 Monachon D10/30

* cited by examiner

Primary Examiner — George D. Kirschbaum

(57) **CLAIM**

The ornamental design for a watch, as shown and described.

DESCRIPTION

Figure 1.1 : Perspective side view of an embodiment of the invention.

Figure 1.2 : Top side view of an embodiment of the invention.

Figure 1.3 : Right side view of an embodiment of the invention.

Figure 1.4 : Left side view of an embodiment of the invention.

Figure 1.5 : Front side view of an embodiment of the invention.

Figure 1.6 : Back view of an embodiment of the invention.

Figure 1.7 : Bottom side view of an embodiment of the invention.

1 Claim, 14 Drawing Sheets



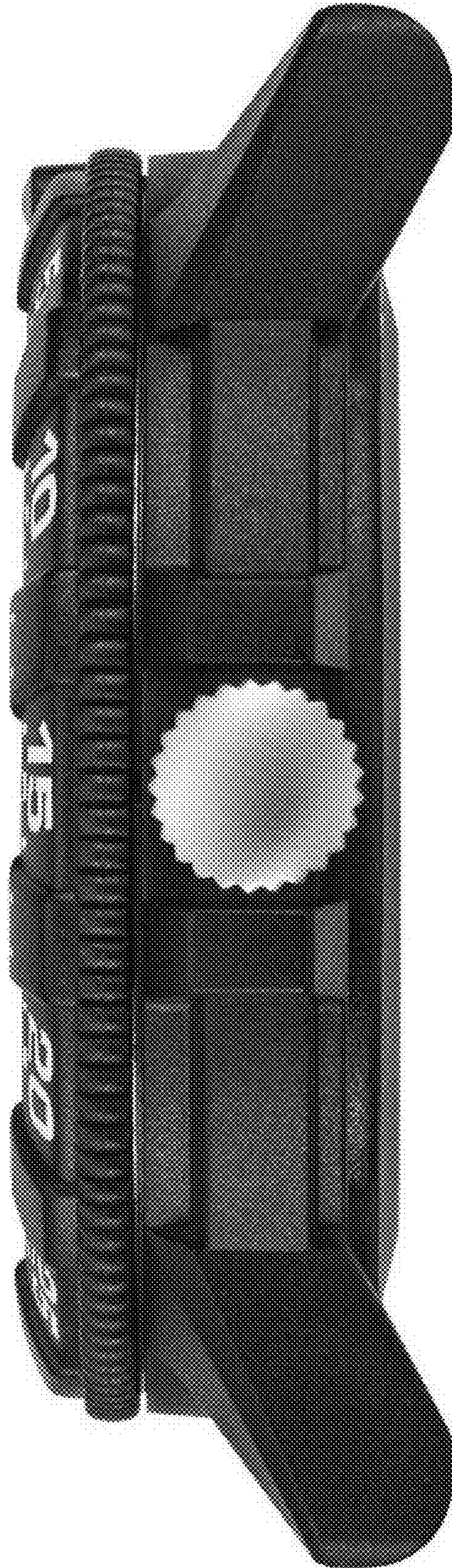
1.1



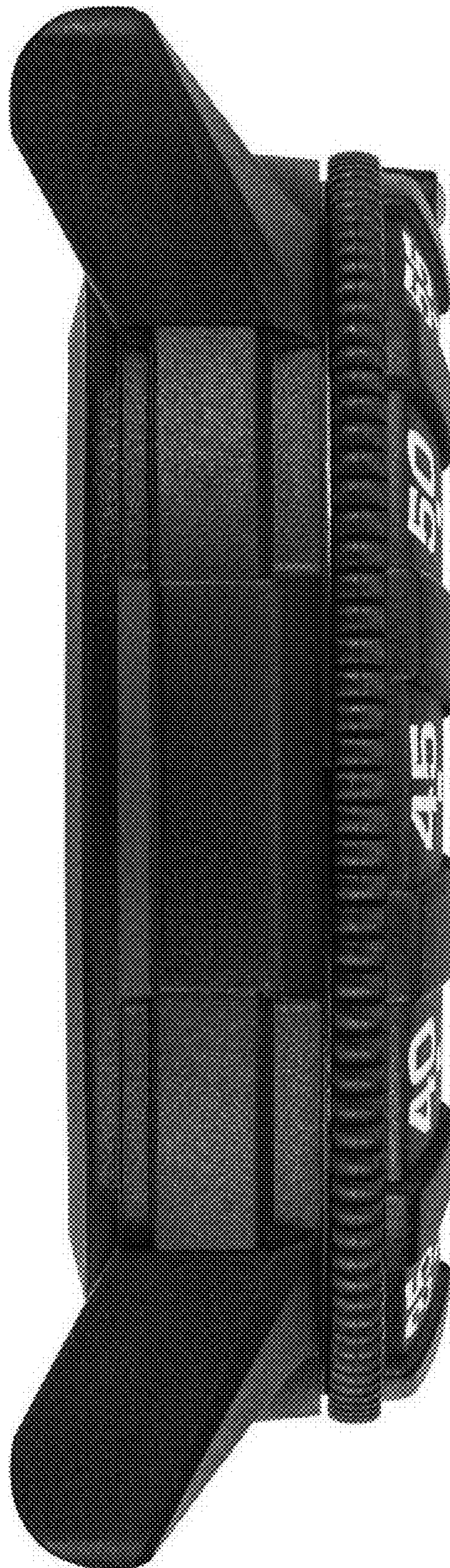
1.2



1.3



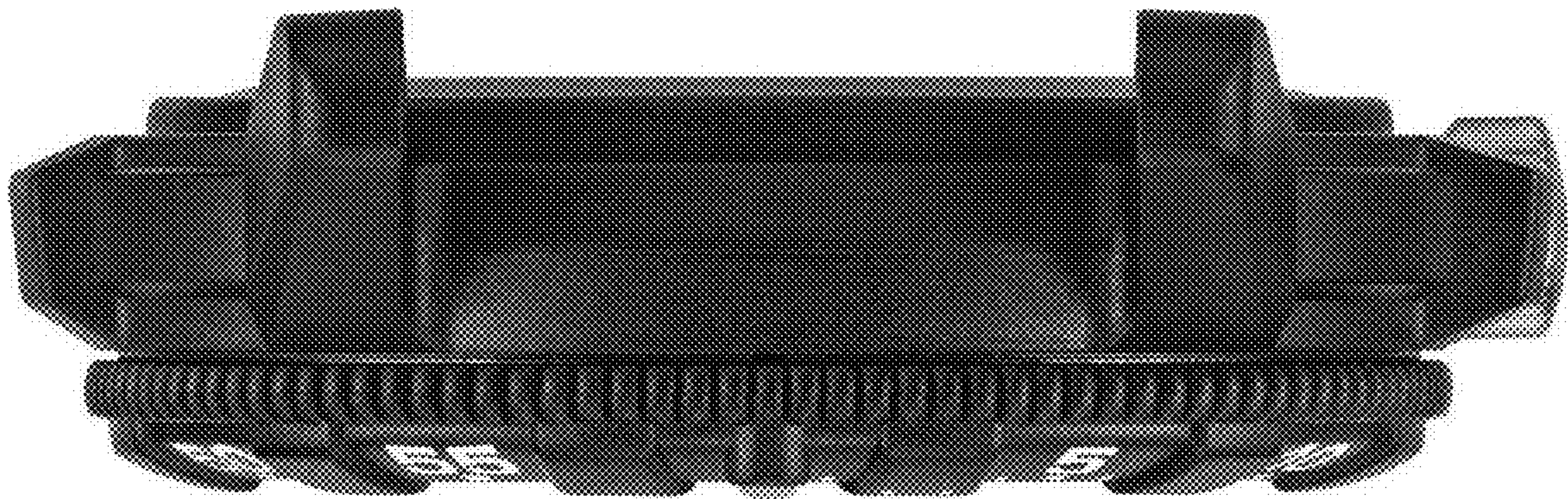
1.4



1.5



1.6



1.7



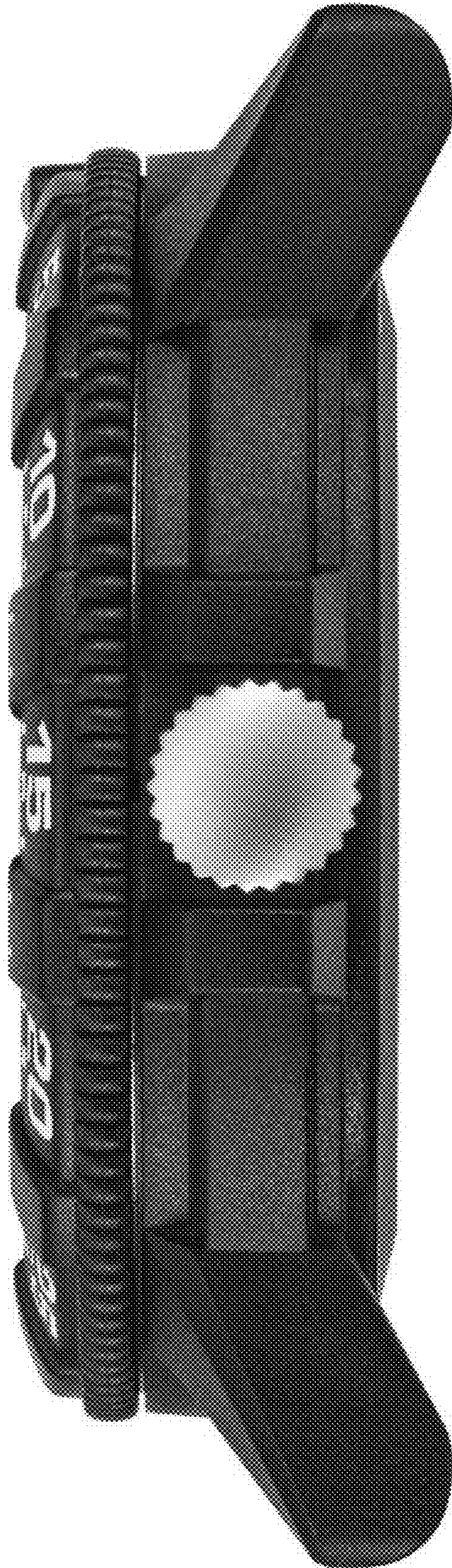
2.1



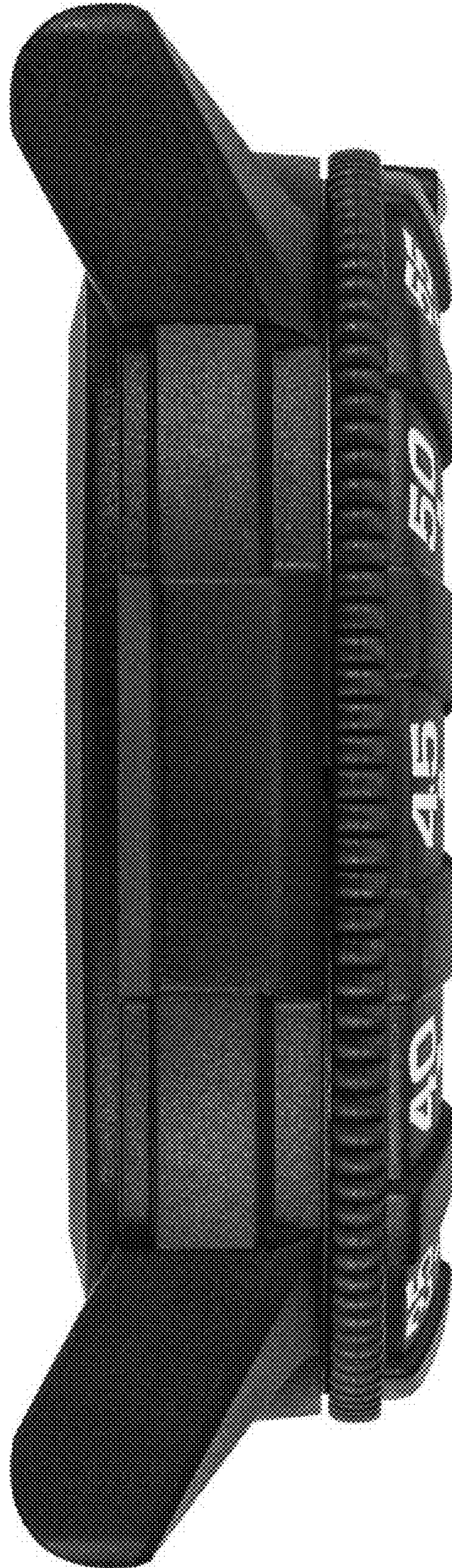
2.2



2.3



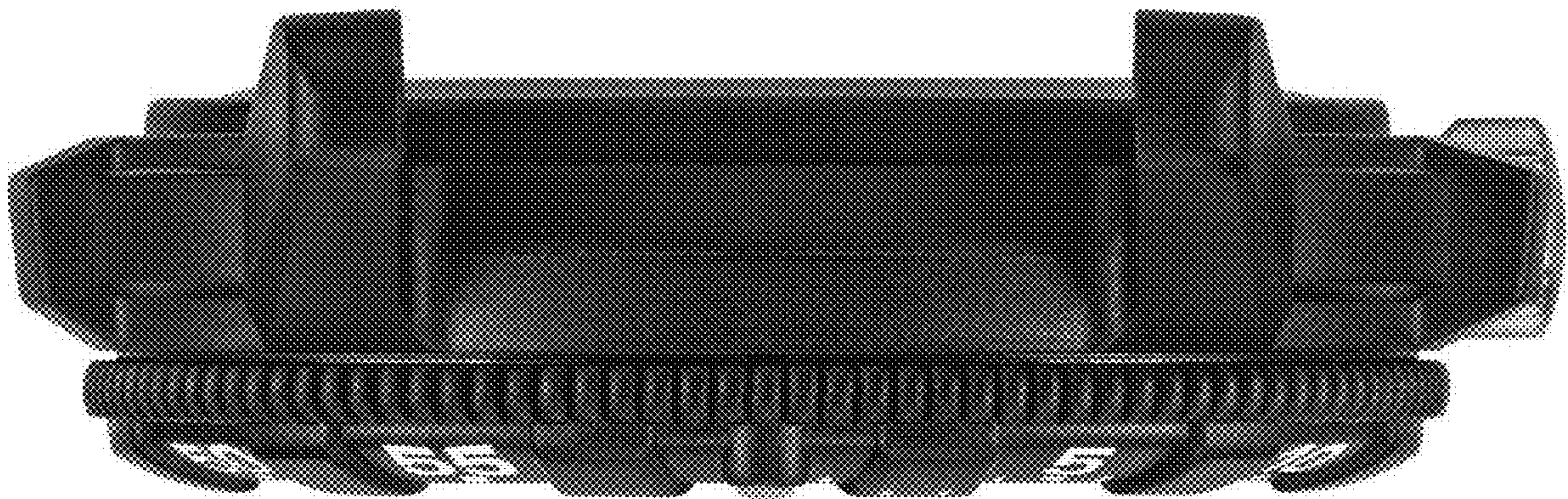
2.4



2.5



2.6



2.7

