



US00D824779S

(12) **United States Design Patent** (10) **Patent No.:** **US D824,779 S**  
**Lalier et al.** (45) **Date of Patent:** **\*\* Aug. 7, 2018**

(54) **PACKAGE**

- (71) Applicant: **Conopco, Inc.**, Englewood Cliffs, NJ (US)  
 (72) Inventors: **Gregory Lalier**, Brookfield, CT (US);  
**Slavica Cesare**, Trumbull, CT (US);  
**Lauren Alicia Shute**, Seattle, WA (US);  
**Timothy Hope Jebb**, Tunbridge Wells (GB)  
 (73) Assignee: **800 Sylvan Avenue**, Englewood Cliffs, NJ (US)

(\*\*) Term: **15 Years**

(21) Appl. No.: **29/588,753**

(22) Filed: **Dec. 22, 2016**

(51) **LOC (11) Cl.** ..... **09-01**

(52) **U.S. Cl.**  
USPC ..... **D9/682**

(58) **Field of Classification Search**

USPC ..... D9/682-694, 655, 658, 719, 737, 738,  
 D9/741, 516, 517, 520, 521, 523-529,  
 D9/549-575, 434-436, 443-448; D6/542  
 CPC ..... B65D 1/02; B65D 1/00; B65D 1/0223;  
 B65D 1/023; B65D 1/0246; B65D 1/04;  
 B65D 1/06; B65D 1/40; B65D 11/02;  
 B65D 11/04; B65D 11/20; B65D 11/24;  
 B65D 21/00; B65D 21/02; B65D  
 21/0209; B65D 81/3205; B65D 23/102;  
 B65D 83/00; B65D 83/0005; B65D  
 83/0022; B65D 83/0033; B65D 83/0038;  
 B65D 83/14; B65D 83/20; B65D 83/28;  
 B65D 83/38; B65D 83/40; B65D 83/42;  
 B05B 11/00; B05B 11/0005; B05B  
 11/0027; B05B 11/0037; B05B 11/0054;  
 B05B 11/0056; B05B 11/0078; B05B  
 11/0097; B05B 11/02; B05B 11/048;  
 B05B 11/30-11/3098; A45D 34/00; A45D  
 34/04; A45D 2034/007; A45D 2200/05;  
 A45D 2200/055; A45D 2200/056; A45D  
 2200/057

See application file for complete search history.

(56) **References Cited**

U.S. PATENT DOCUMENTS

D197,536 S \* 2/1964 Brainard ..... D24/110  
 D328,712 S 8/1992 Butler et al.  
 (Continued)

FOREIGN PATENT DOCUMENTS

CN 104229302 12/2014  
 CN 204096310 1/2015  
 (Continued)

OTHER PUBLICATIONS

Retrieved from internet: [www.radox.co.uk/product/category/929053/radox-shower-feel-fresh](http://www.radox.co.uk/product/category/929053/radox-shower-feel-fresh).

(Continued)

*Primary Examiner* — Catherine A Tuttle

(74) *Attorney, Agent, or Firm* — Gerard J. McGowan, Jr.

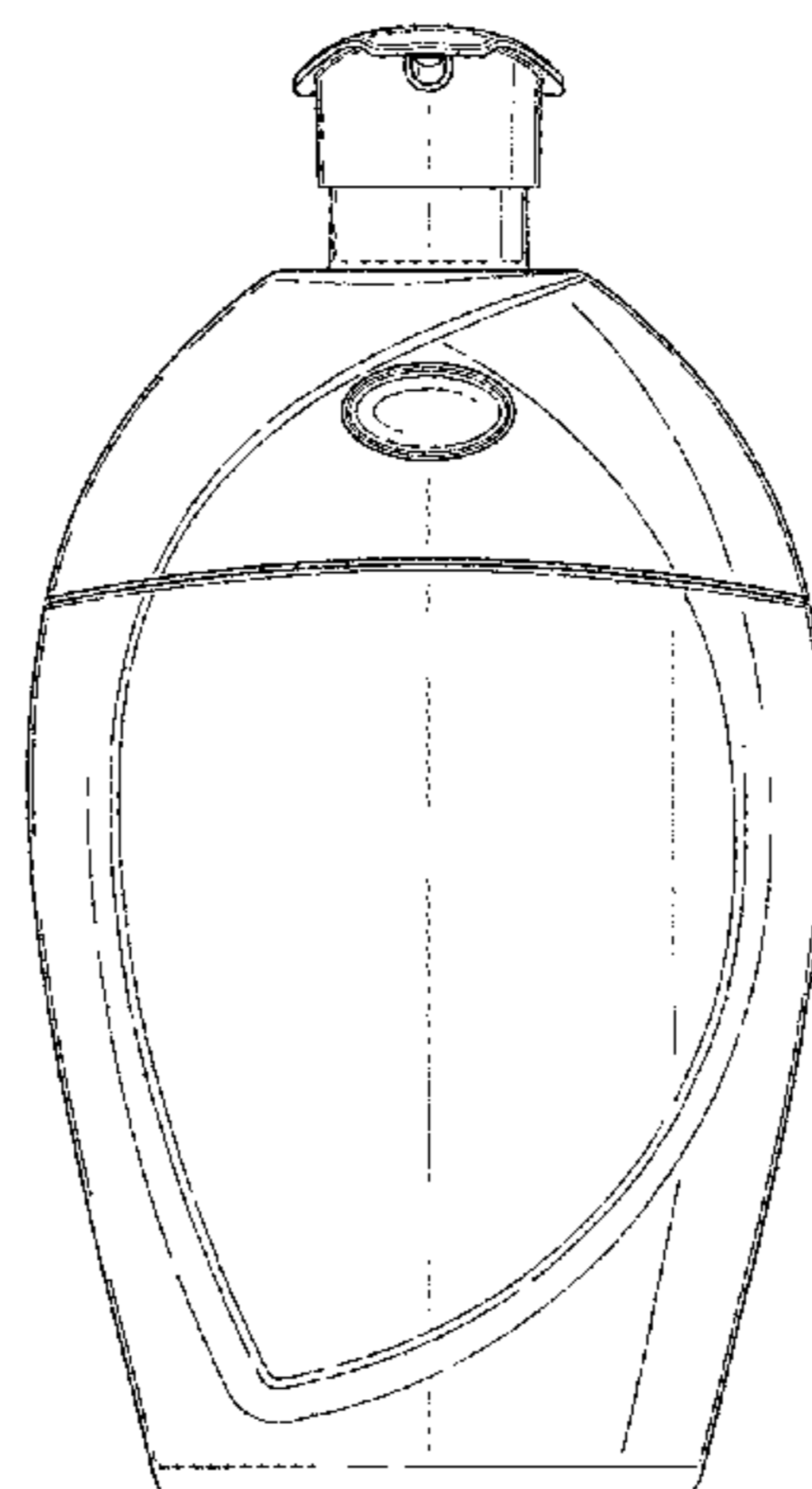
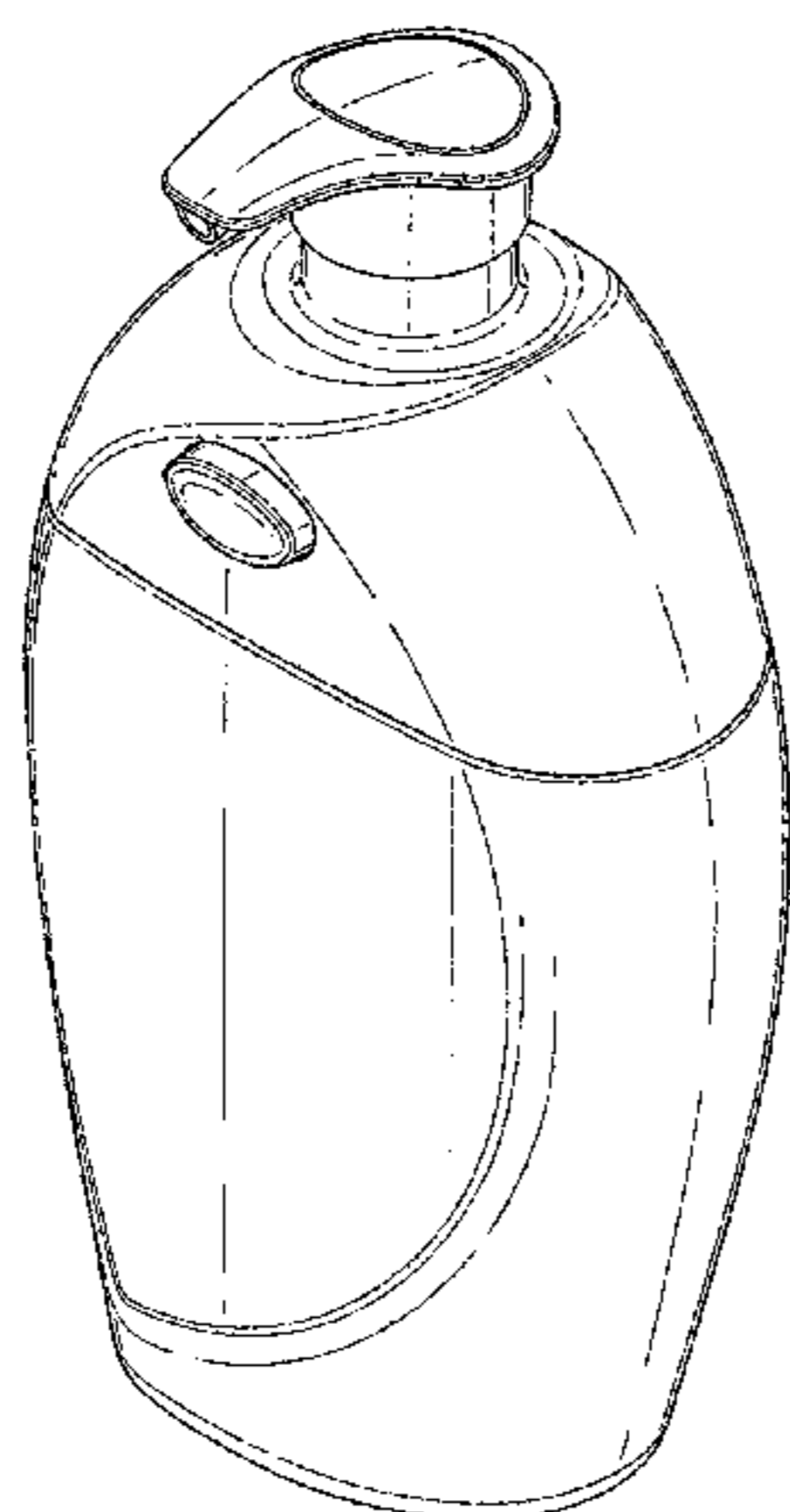
(57) **CLAIM**

The ornamental design for a package, as shown and described.

**DESCRIPTION**

FIG. 1 is a front perspective view from above of a package showing our new design;  
 FIG. 2 is a front elevational view thereof;  
 FIG. 3 is a rear elevational view thereof;  
 FIG. 4 is a left elevational view thereof;  
 FIG. 5 is a right elevational view thereof;  
 FIG. 6 is a top plan view thereof; and,  
 FIG. 7 is a bottom plan view thereof.  
 The broken lines shown in FIG. 7 are included for the purpose of illustrating a portion of the package that forms no part of the claimed design.

**1 Claim, 6 Drawing Sheets**



(56)

References Cited

U.S. PATENT DOCUMENTS

D346,964 S 5/1994 Green  
 D372,199 S 7/1996 Lathrop et al.  
 D376,310 S \* 12/1996 Crawford ..... D9/550  
 D404,293 S \* 1/1999 Bertolini ..... D9/565  
 5,873,491 A \* 2/1999 Garcia ..... B05B 11/0043  
 222/321.7  
 D406,482 S \* 3/1999 Kerr ..... D6/542  
 5,938,076 A 8/1999 Ganzeboom  
 D439,165 S 3/2001 Erckelbout et al.  
 D449,229 S \* 10/2001 Mohary ..... D9/558  
 D450,593 S \* 11/2001 Jebb ..... D9/529  
 D459,659 S 7/2002 Chung  
 D460,348 S \* 7/2002 Crawford ..... D9/549  
 D468,643 S \* 1/2003 Kuzma ..... D9/552  
 6,533,144 B2 \* 3/2003 Davies ..... B05B 11/3001  
 222/153.13  
 D480,628 S \* 10/2003 Altonen ..... D9/694  
 D526,902 S \* 8/2006 Cummings ..... D9/558  
 D527,640 S \* 9/2006 Cummings ..... D9/529  
 D528,913 S \* 9/2006 Penfold ..... D9/448  
 D542,141 S 5/2007 Okin et al.  
 D546,693 S 7/2007 Okin et al.  
 D588,006 S \* 3/2009 Boes ..... D9/448  
 D589,357 S \* 3/2009 Crawford ..... D9/563  
 D589,358 S \* 3/2009 Crawford ..... D9/550  
 D597,847 S \* 8/2009 Floyd ..... D9/543  
 D608,212 S 1/2010 Weyland et al.  
 D611,831 S 3/2010 Cummings et al.  
 D616,759 S \* 6/2010 Toh ..... D9/563  
 D618,554 S \* 6/2010 Bruscha ..... D9/550  
 D627,658 S 11/2010 Hale et al.  
 D628,885 S 12/2010 Hale et al.  
 D632,963 S 2/2011 Hale et al.  
 D636,262 S \* 4/2011 Michitsuji ..... D9/448  
 D652,306 S 1/2012 Drake et al.  
 D654,800 S 2/2012 Geeraert et al.  
 D666,107 S \* 8/2012 Blachford ..... D9/682  
 D673,862 S \* 1/2013 Garcia ..... D9/689  
 8,387,614 B2 3/2013 Geser et al.  
 D683,631 S \* 6/2013 Crawford ..... D9/682  
 D684,064 S \* 6/2013 Crawford ..... D9/562  
 D690,202 S \* 9/2013 Beck ..... D9/529  
 D750,964 S 3/2016 Alvarez De Cienfuegos et al.  
 D751,911 S 3/2016 Alvarez De Cienfuegos et al.  
 D753,493 S 4/2016 Alvarez De Cienfuegos et al.  
 D753,494 S 4/2016 Toh et al.  
 D759,495 S 6/2016 Hawry  
 D773,306 S 12/2016 Toh et al.  
 D774,396 S 12/2016 Toh et al.  
 D776,539 S 1/2017 Jin  
 9,623,200 B2 4/2017 Holakovsky et al.  
 2002/0030116 A1 \* 3/2002 Brown ..... A61L 9/12  
 239/59  
 2009/0110576 A1 \* 4/2009 Brouwer ..... B05B 11/3033  
 417/472  
 2012/0006854 A1 \* 1/2012 Carta ..... B05B 11/3023  
 222/321.7  
 2012/0104048 A1 \* 5/2012 Tseng ..... A47K 5/14  
 222/190  
 2012/0125948 A1 5/2012 Son et al.  
 2016/0136667 A1 \* 5/2016 Carse ..... B05B 11/3042  
 222/207

FOREIGN PATENT DOCUMENTS

CN 104340502 2/2015  
 EP 0970634 1/2003  
 EP 2127580 12/2009  
 GB 2432823 6/2008  
 JP 5094150 12/1993  
 JP 6032380 2/1994  
 JP 6048466 2/1994  
 JP 6127579 5/1994  
 JP 6135474 5/1994

JP 3009099 3/1995  
 JP 08011960 1/1996  
 JP 09512474 12/1997  
 JP 2563325 2/1998  
 JP 2575244 6/1998  
 JP 2577412 7/1998  
 JP 3062495 8/1998  
 JP 2587885 12/1998  
 JP 11091824 4/1999  
 JP 11292171 10/1999  
 JP 2000007031 1/2000  
 JP 2000185768 7/2000  
 JP 2000211671 8/2000  
 JP 2001072151 3/2001  
 JP 2001294268 10/2001  
 JP 2001335087 12/2001  
 JP 2001341780 12/2001  
 JP 3084981 4/2002  
 JP 2002104546 4/2002  
 JP 2002240856 8/2002  
 JP 2003012067 1/2003  
 JP 2003171230 6/2003  
 JP 2003292073 10/2003  
 JP 3111398 7/2005  
 JP 3826964 9/2006  
 JP 3859891 12/2006  
 JP 3966957 8/2007  
 JP 3973896 9/2007  
 JP 4094159 6/2008  
 JP 4108831 6/2008  
 JP 2008213932 9/2008  
 JP 4250037 4/2009  
 JP 3152177 7/2009  
 JP 2009173327 8/2009  
 JP 2010500245 1/2010  
 JP 2010095276 4/2010  
 JP 2010095277 4/2010  
 JP 2010095278 4/2010  
 JP 3165984 2/2011  
 JP 2012076036 4/2012  
 JP 5087336 12/2012  
 JP 5097004 12/2012  
 JP 5127417 1/2013  
 JP 5128476 1/2013  
 JP 2013500907 1/2013  
 JP 5142015 2/2013  
 JP 5257926 8/2013  
 JP 5285918 9/2013  
 JP 5307600 10/2013  
 JP 5386733 1/2014  
 JP 2014080239 5/2014  
 JP 2014101142 6/2014  
 JP 2014105003 6/2014  
 JP 5599772 10/2014  
 JP 2014196130 10/2014  
 JP 2014231362 12/2014  
 JP 5650502 1/2015  
 JP 2015040065 3/2015  
 JP 2015044611 3/2015  
 WO WO2010025392 3/2010  
 WO WO2013103589 7/2013  
 WO WO2014050373 4/2014

OTHER PUBLICATIONS

Radox and Sunlight.  
 Co-pending application Cesare et al., U.S. Appl. No. 29/588,738,  
 filed Dec. 22, 2016.  
 Co-pending application Cesare et al., U.S. Appl. No. 29/588,742,  
 filed Dec. 22, 2016.  
 Ellipse line of airless pouch dispensers, webpackaging.com, PP1-  
 1Retrieved from the internet on Aug. 23, 2017 from: <https://www.webpackaging.com/en/portals/lablabo/assets/11305613/ellipse-line-of-airless-pouch-dispensers/>. pp. 2-3.  
 Opposition in A00201701618, Nov. 28, 2017, pp. 1-30.  
 Pt. Barclay Products (ID), Bottle, Directorate General of Intellectual  
 Property, 2013, pp. 1-2, Indonesian Reg No. IDD0000038324;

(56)

**References Cited**

OTHER PUBLICATIONS

Application No. A00201302928; Receipt Date: Aug. 23, 2013; Announcement Date: Nov. 12, 2013; Enrollment Date: Sep. 3, 2014; Ownership Date: Aug. 23, 2013. pp. 1-2.

Pt. Barclay Products (ID), Bottle, Directorate General of Intellectual Property, 2013, pp. 1-2, Indonesian Reg No. IDD0000038325; Application No. A00201302929, Receipt Date: Aug. 23, 2013, Announcement Date: Nov. 12, 2013; Enrollment Date: Sep. 3, 2014; Ownership Date: Aug. 23, 2013. pp. 1-2.

What's new in Lablabo's Head?, webpackaging.com, Jun. 1, 2012, PPI-3 Retrieved from internet: <https://www.webpackaging.com/en/portals/lablabo/assets/11144278/whats-new-in-lablabos-head/>. pp. 17-19.

\* cited by examiner

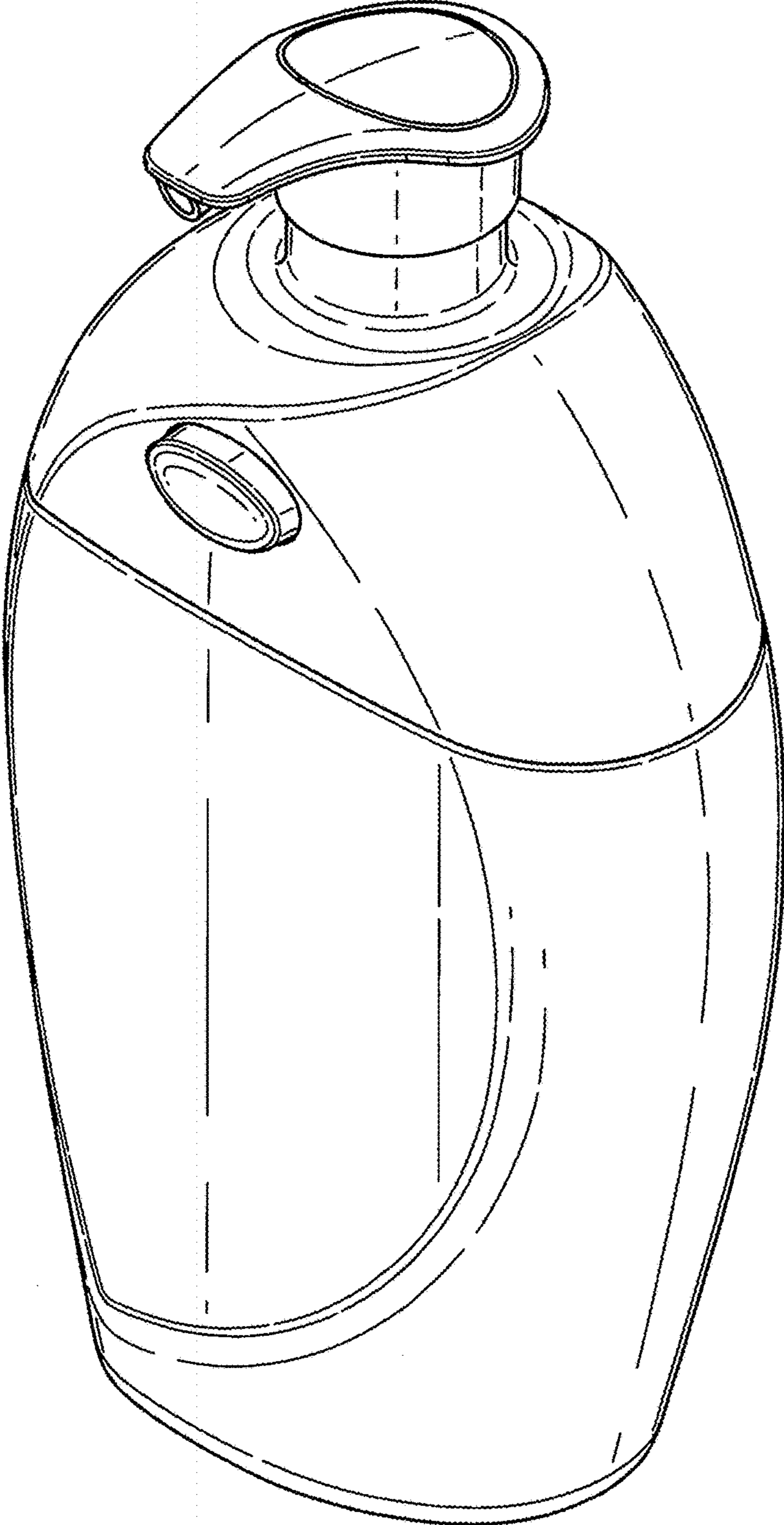


Fig. 1

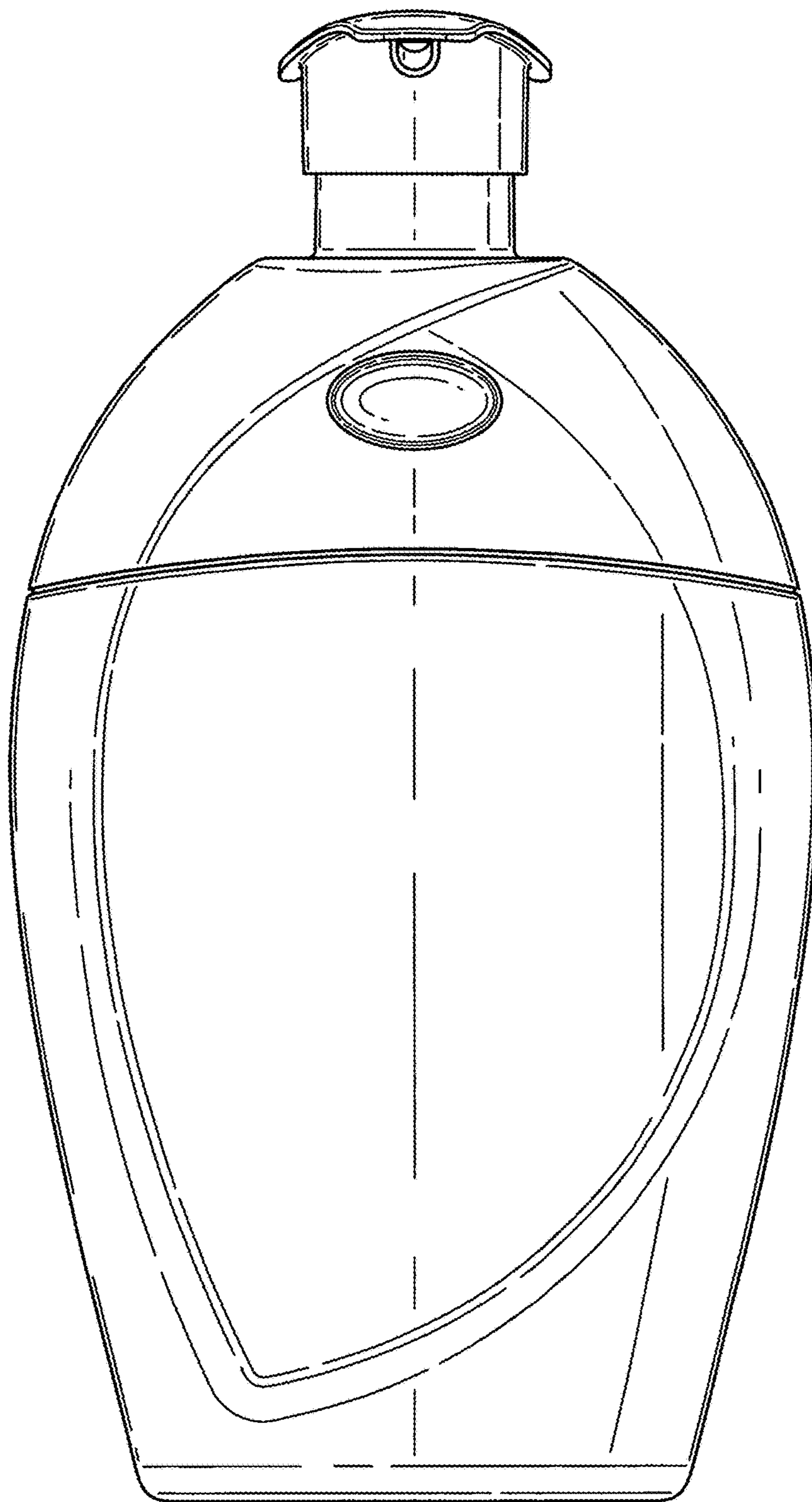


Fig. 2

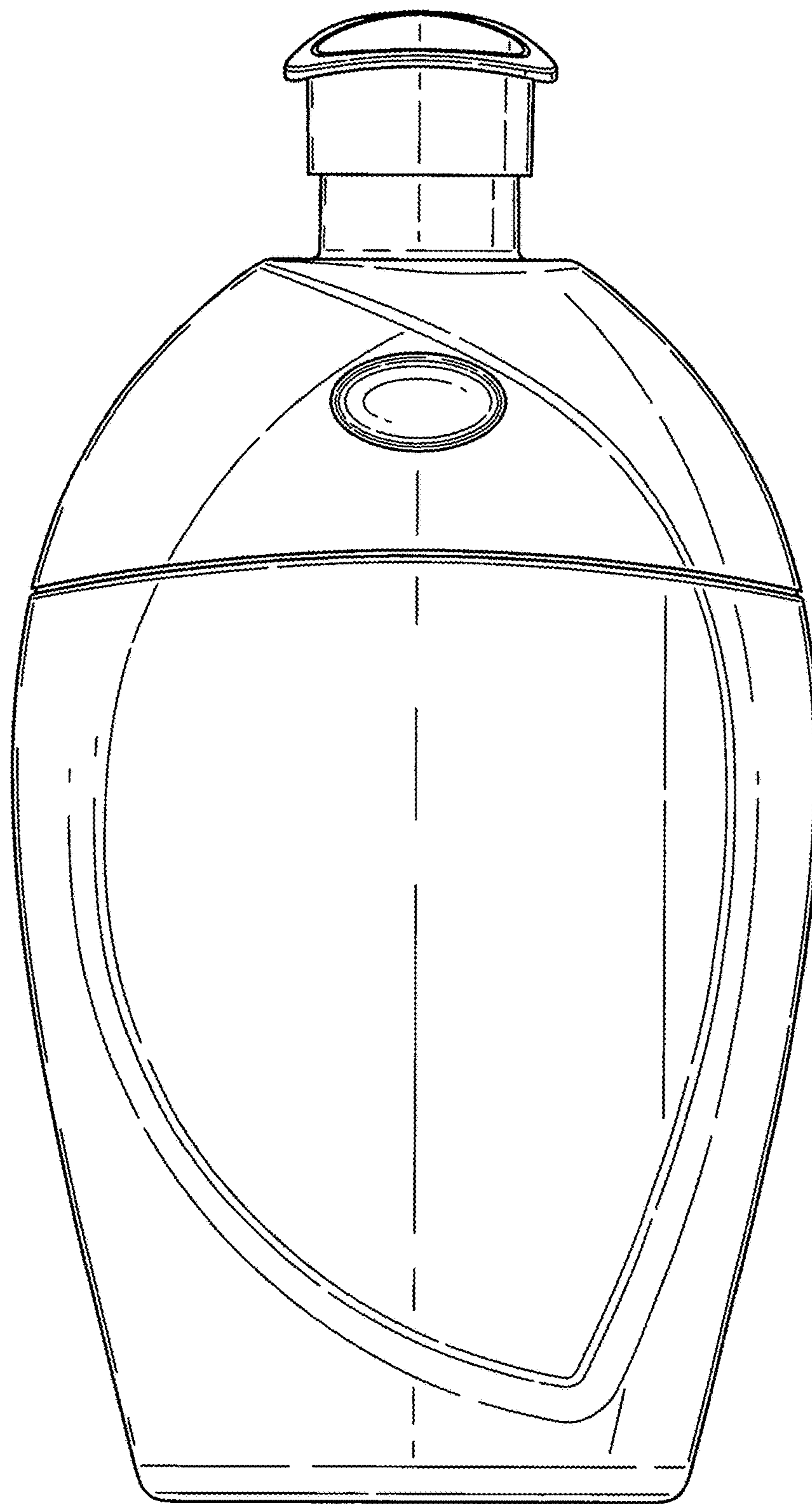


Fig. 3

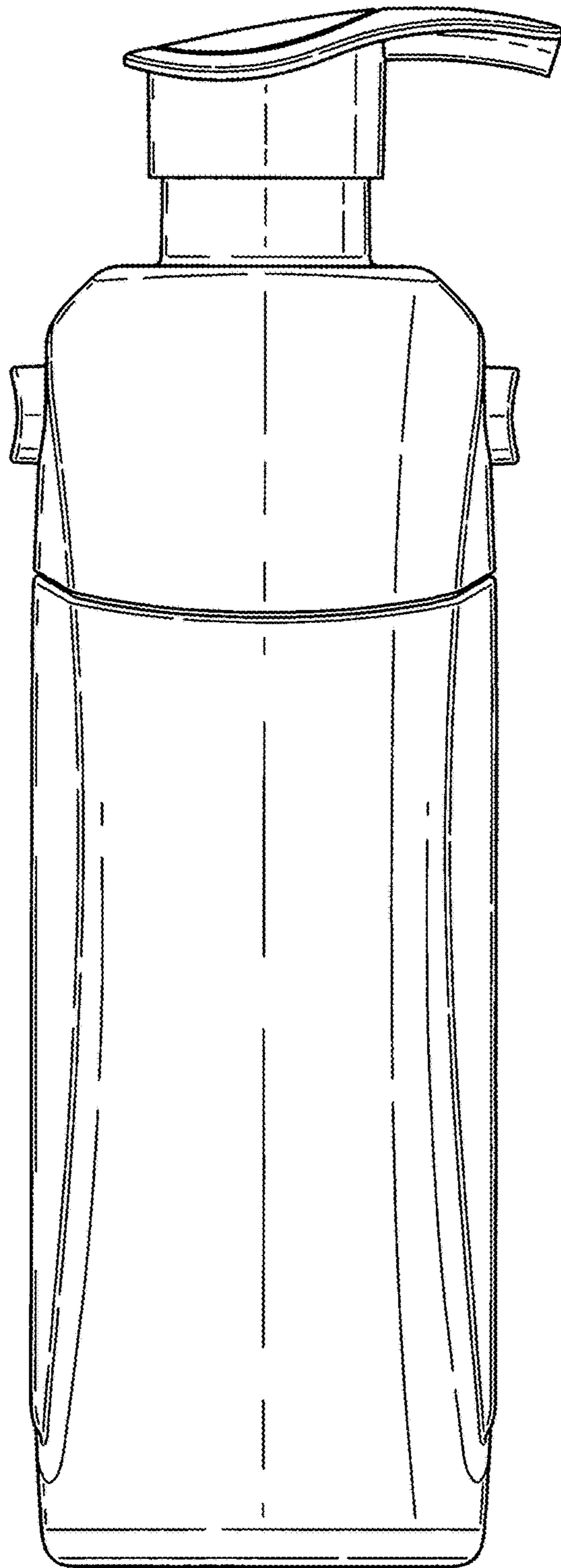


Fig. 4

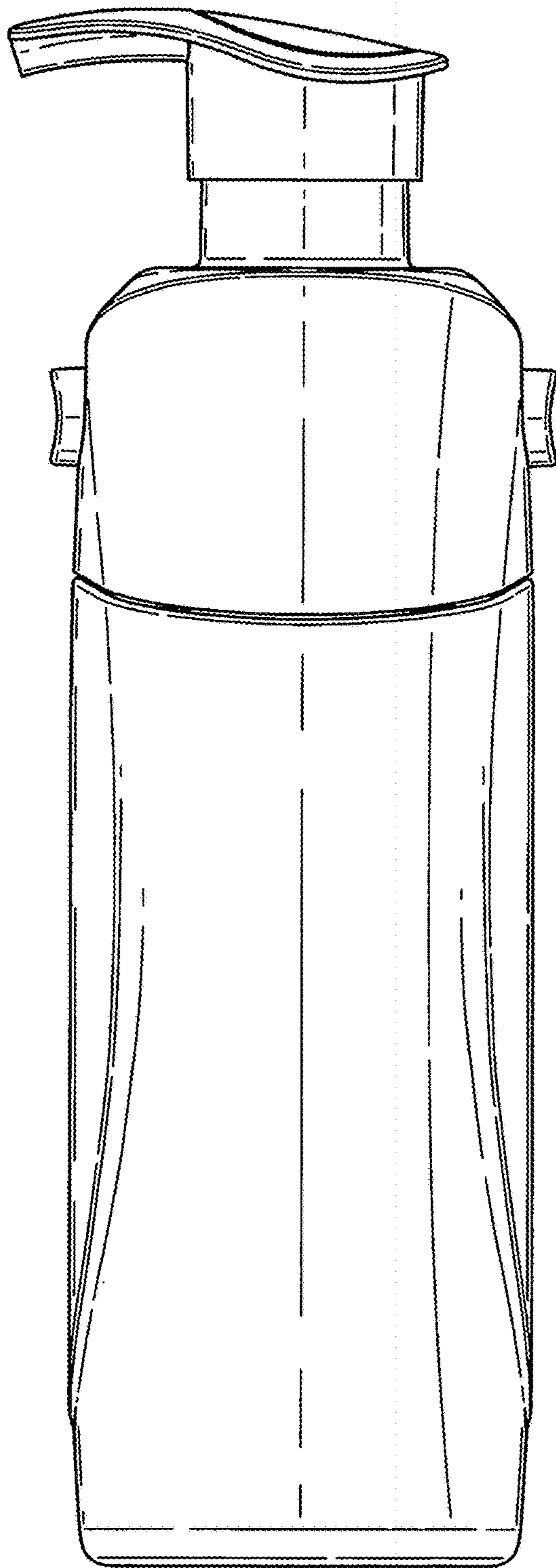


Fig. 5



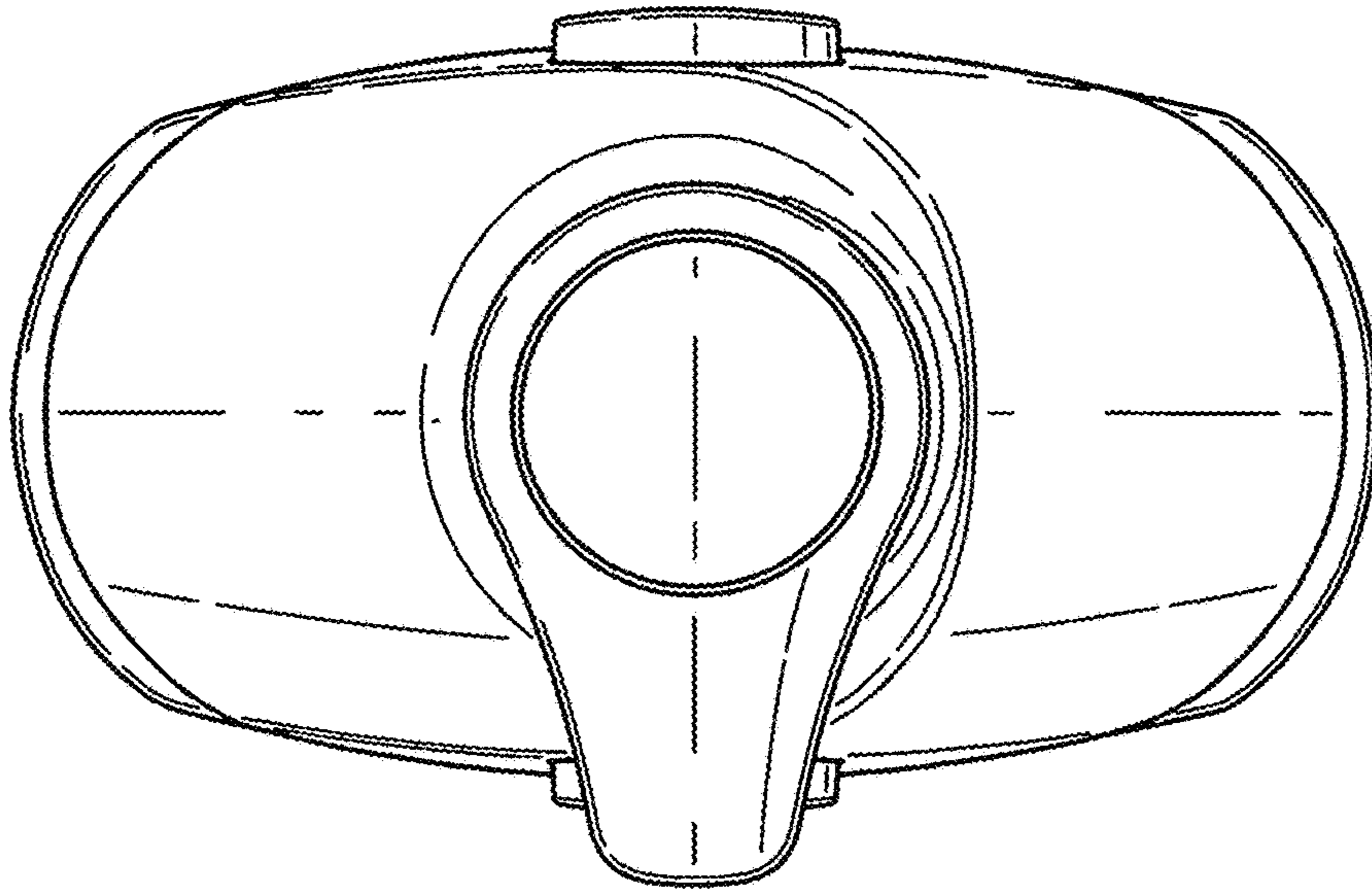


Fig. 6

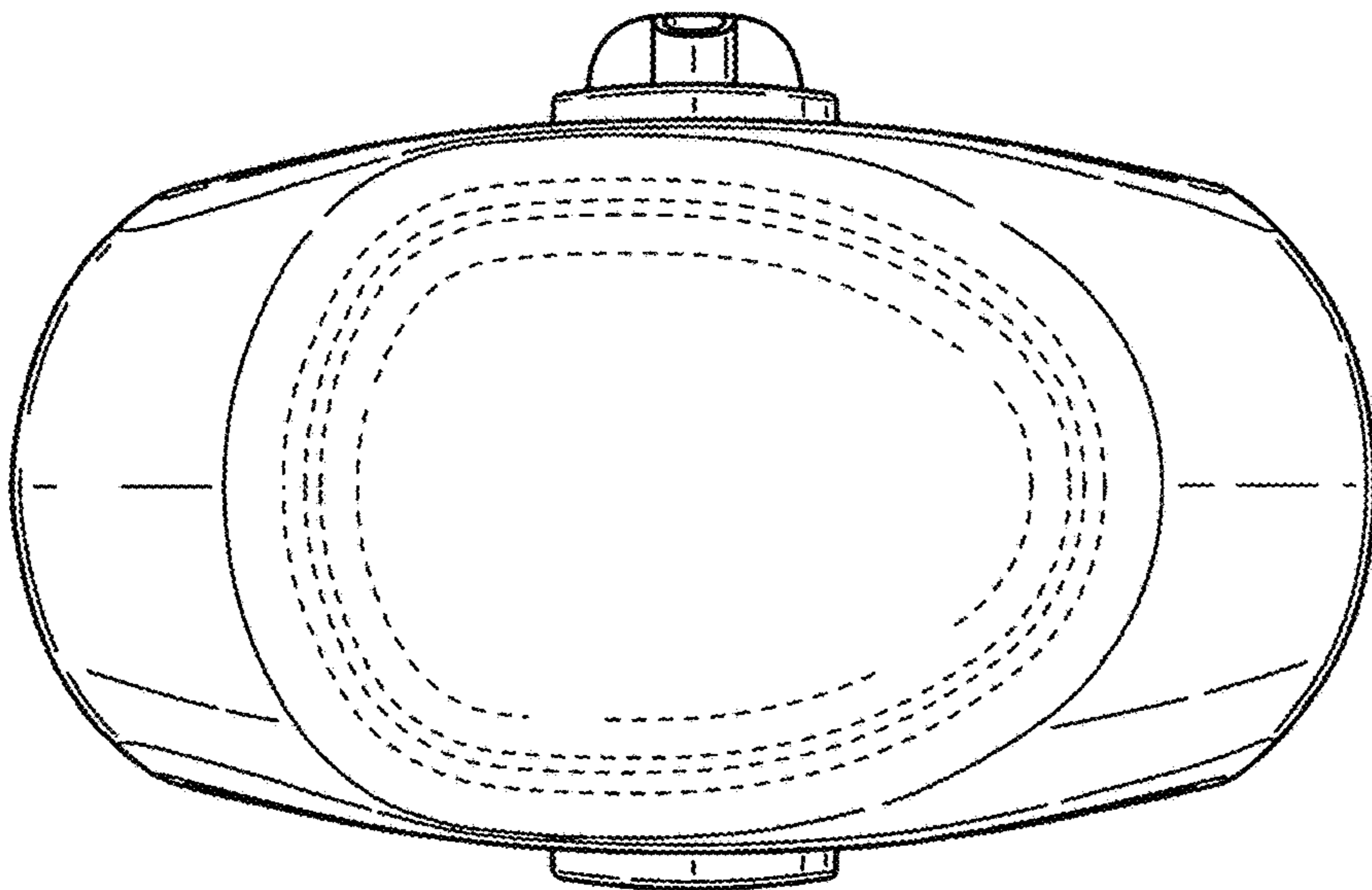


Fig. 7