

US00D824777S

(12) **United States Design Patent** (10) **Patent No.:** **US D824,777 S**
Arnett, Jr. (45) **Date of Patent:** **** Aug. 7, 2018**

(54) FLAG FRUIT BOX	D383,669 S * 9/1997 Taylor D9/669
	D408,731 S * 4/1999 Taylor D9/418
(71) Applicant: George Raymond Arnett, Jr. , Stockton, CA (US)	D456,244 S * 4/2002 Davis D9/667
	D593,325 S * 6/2009 Evans D3/273
(72) Inventor: George Raymond Arnett, Jr. , Stockton, CA (US)	D623,069 S * 9/2010 Warsaw D9/432
	D677,166 S * 3/2013 Tavares D9/600
	D682,083 S * 5/2013 Mitchell D9/414
	D691,900 S * 10/2013 Kraus D9/721
	D695,626 S * 12/2013 Webster D9/432
(**) Term: 15 Years	D755,641 S * 5/2016 O'Neill B65D 5/5088 D9/721

(21) Appl. No.: **29/604,075**

* cited by examiner

(22) Filed: **May 15, 2017**

Primary Examiner — Sandra L Morris

Related U.S. Application Data

(74) *Attorney, Agent, or Firm* — J. Curtis Edmondson;
Anitha Shankar Narayan; Law Offices of J. Curtis
Edmondson

(63) Continuation of application No. 11/012,050, filed on
Dec. 13, 2004.

(51) **LOC (11) Cl.** **09-01**

(52) **U.S. Cl.**

USPC **D9/600; D9/669; D9/432**

(57) **CLAIM**

(58) **Field of Classification Search**

USPC D3/270, 271.1–271.4; D7/510, 514–520,
D7/599, 604, 613, 619.2, 623, 628;
D9/600, 669, 414–434, 721; 206/457,
206/459.5, 488, 527; 215/381–384, 400;
229/116.1

The ornamental design for a flag fruit box, as shown and
described.

CPC B65D 5/4258; B65D 81/60; B65D 81/365;
B65D 81/366; B65D 81/368; B65D
2203/00; B65D 2203/02; B65D 67/00;
A63H 81/16; A63F 9/001

DESCRIPTION

See application file for complete search history.

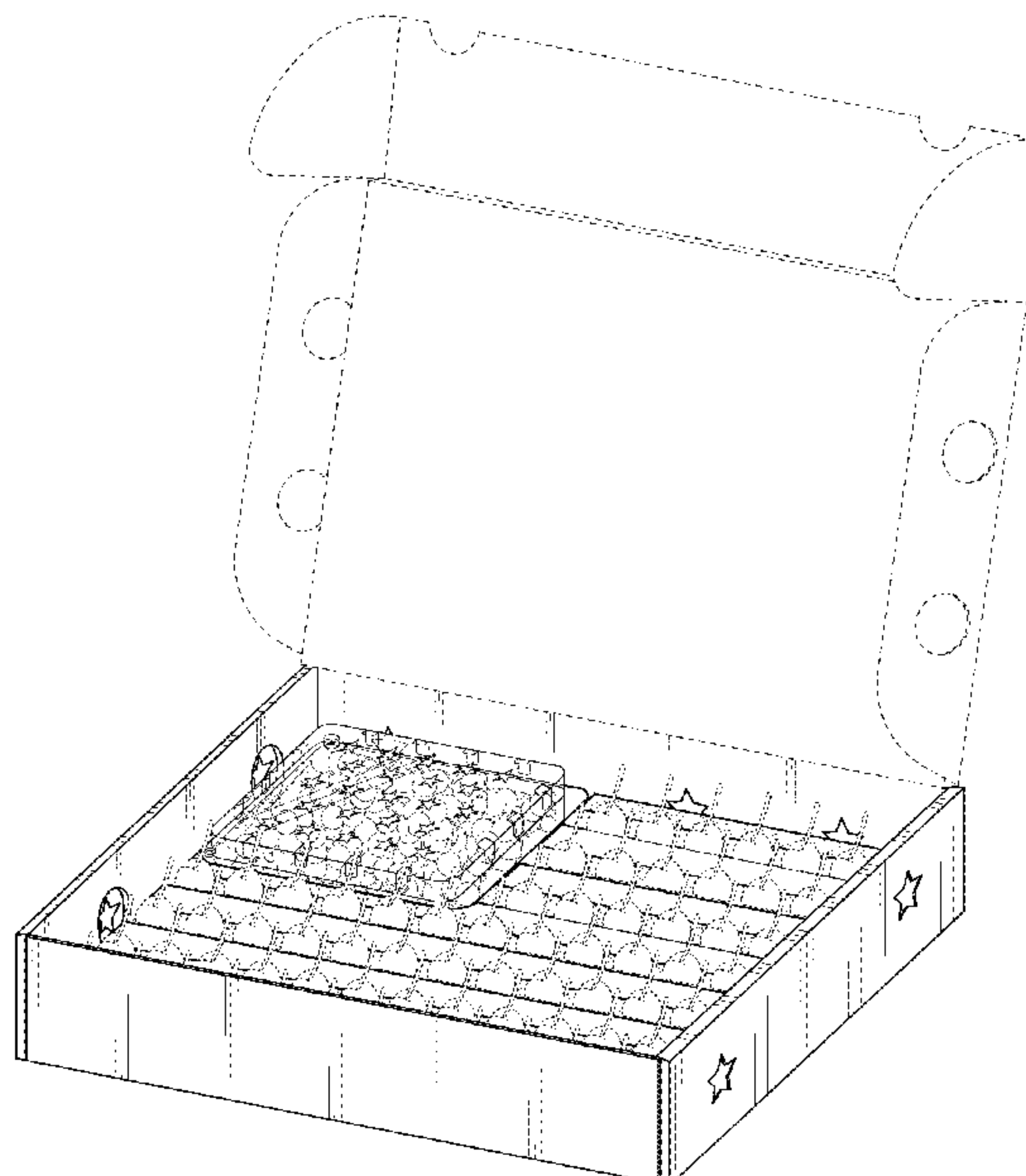
FIG. 1 is a perspective view of a flag fruit box;
FIG. 2 is a front-side view thereof;
FIG. 3 is a back-side view thereof;
FIG. 4 is a left-side view thereof;
FIG. 5 is a right-side view thereof;
FIG. 6 is a top-side view thereof; and,
FIG. 7 is a bottom-side view thereof.
The broken line showing is for illustrative purposes only,
and forms no part of the claimed design.

(56) **References Cited**

U.S. PATENT DOCUMENTS

4,708,911 A *	11/1987	Mage	A63F 9/001
				428/12
4,788,109 A *	11/1988	Mage	A63F 9/001
				428/12

1 Claim, 7 Drawing Sheets



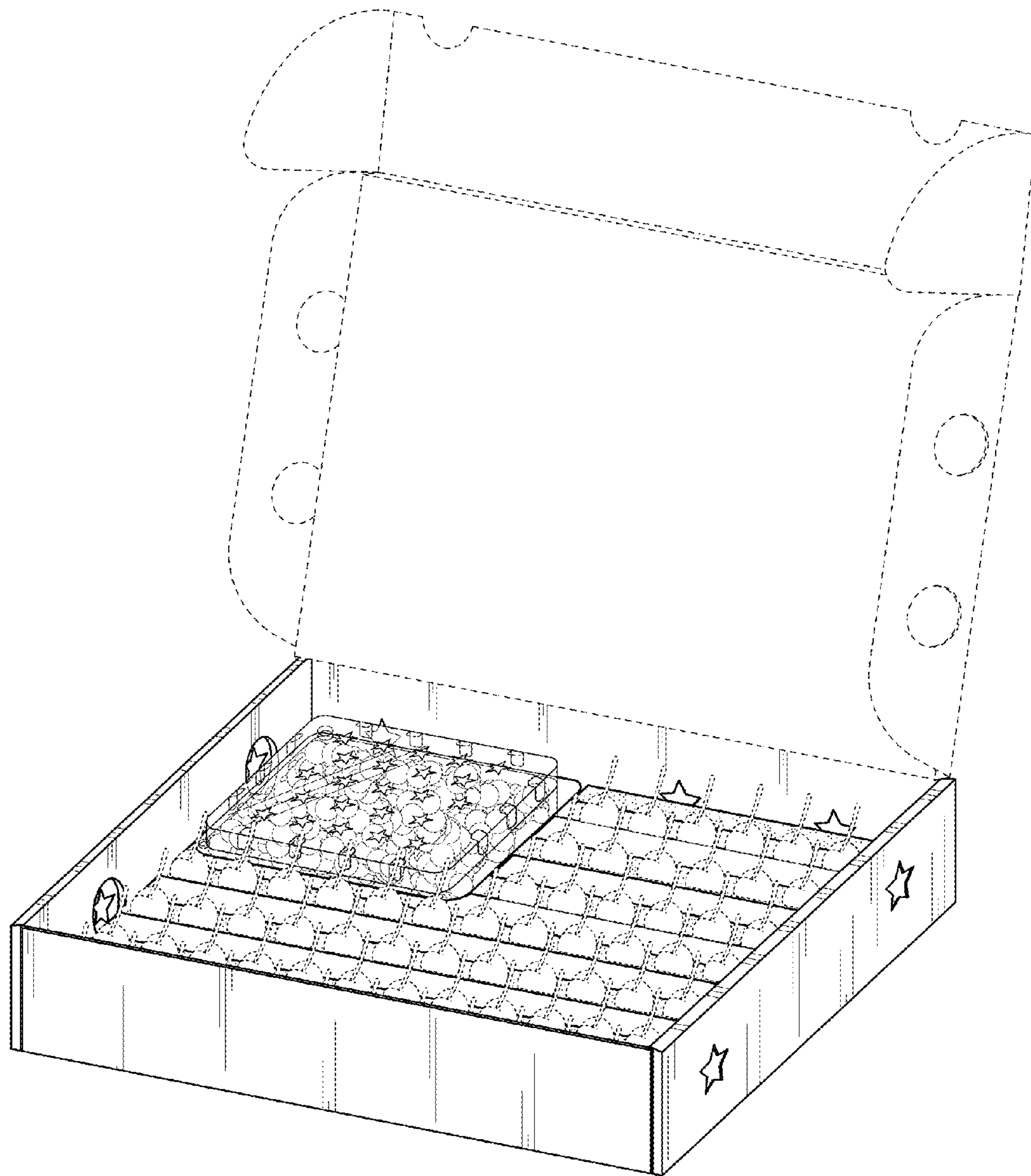


Figure 1

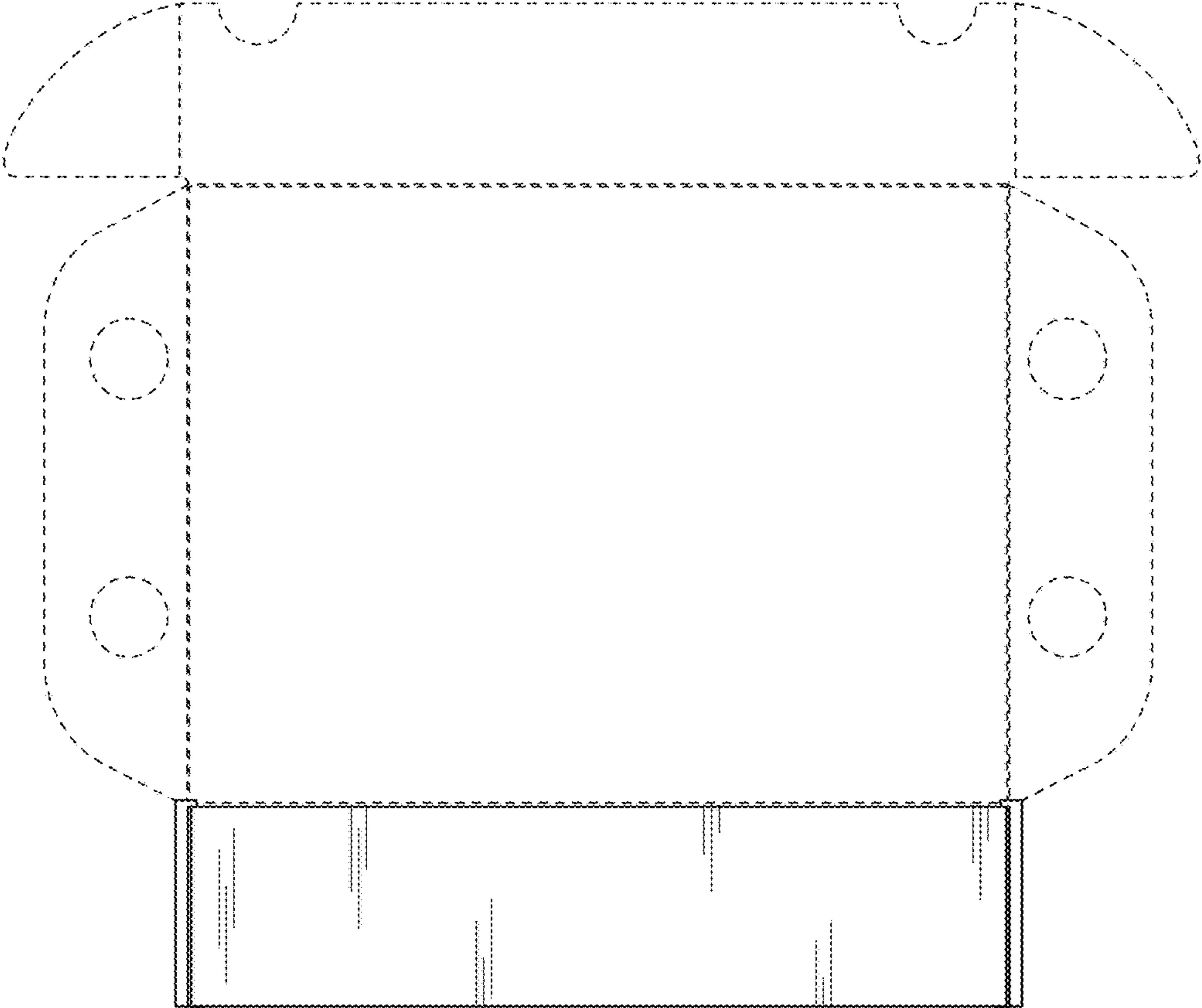


Figure 2

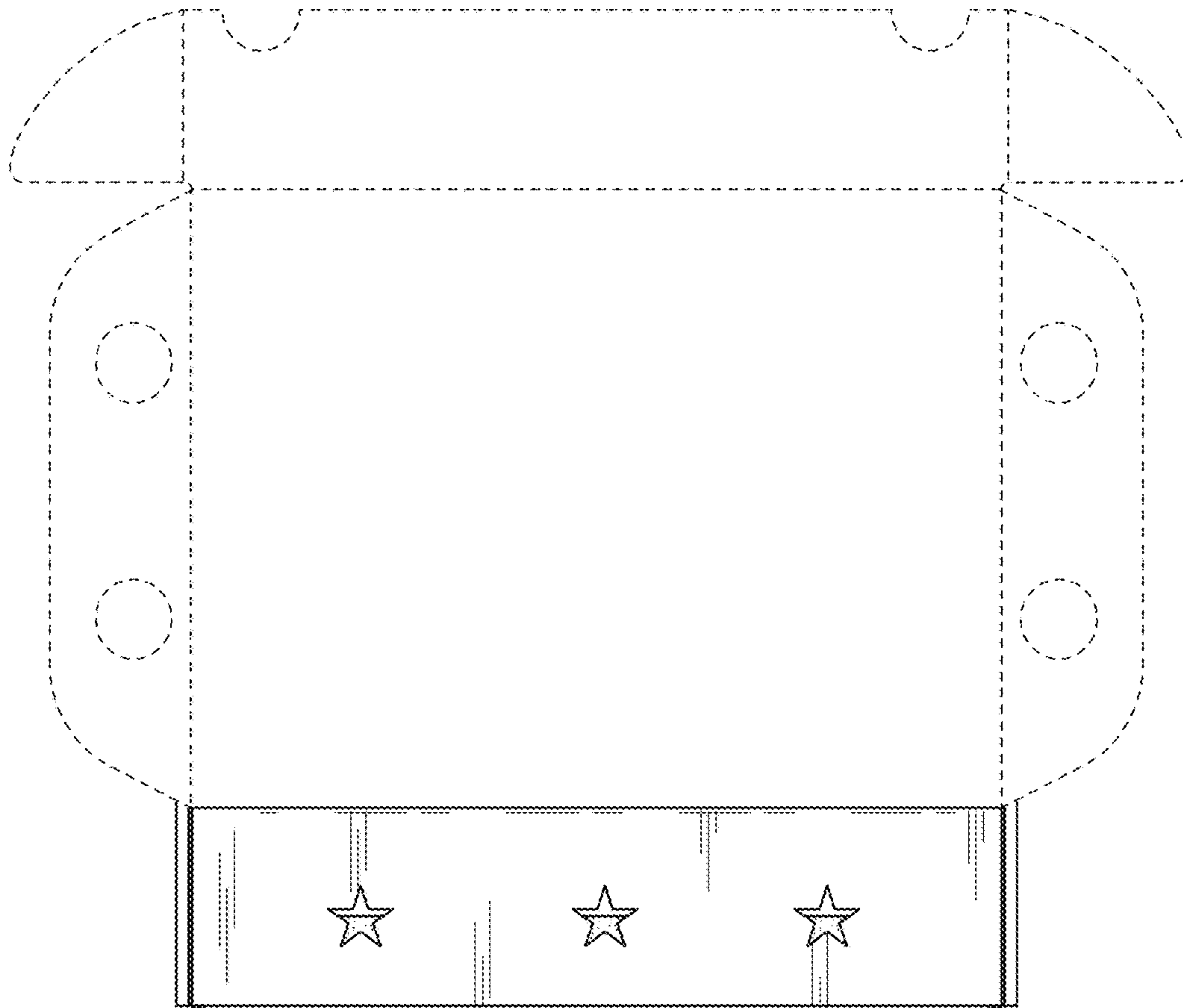


Figure 3

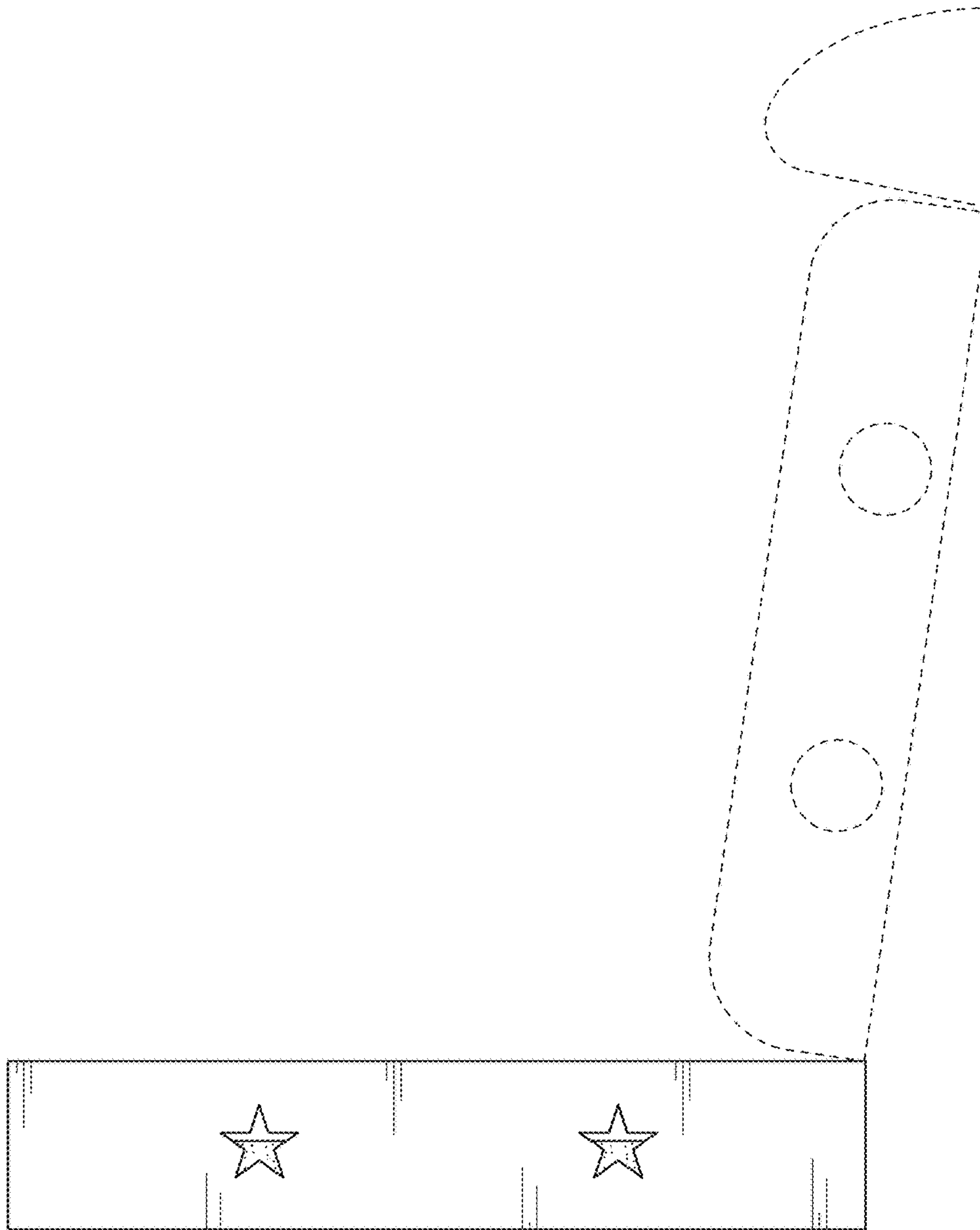


Figure 4

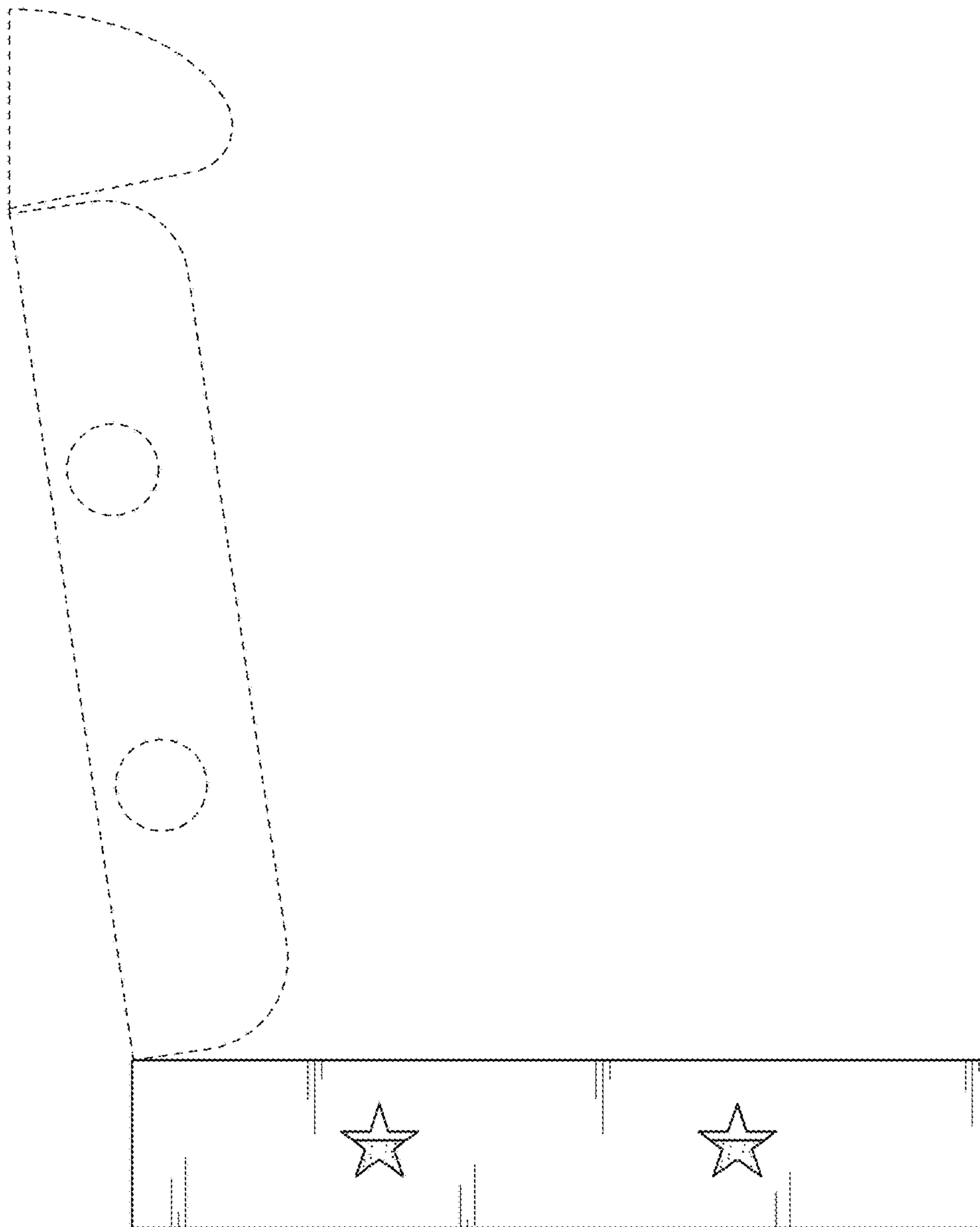


Figure 5

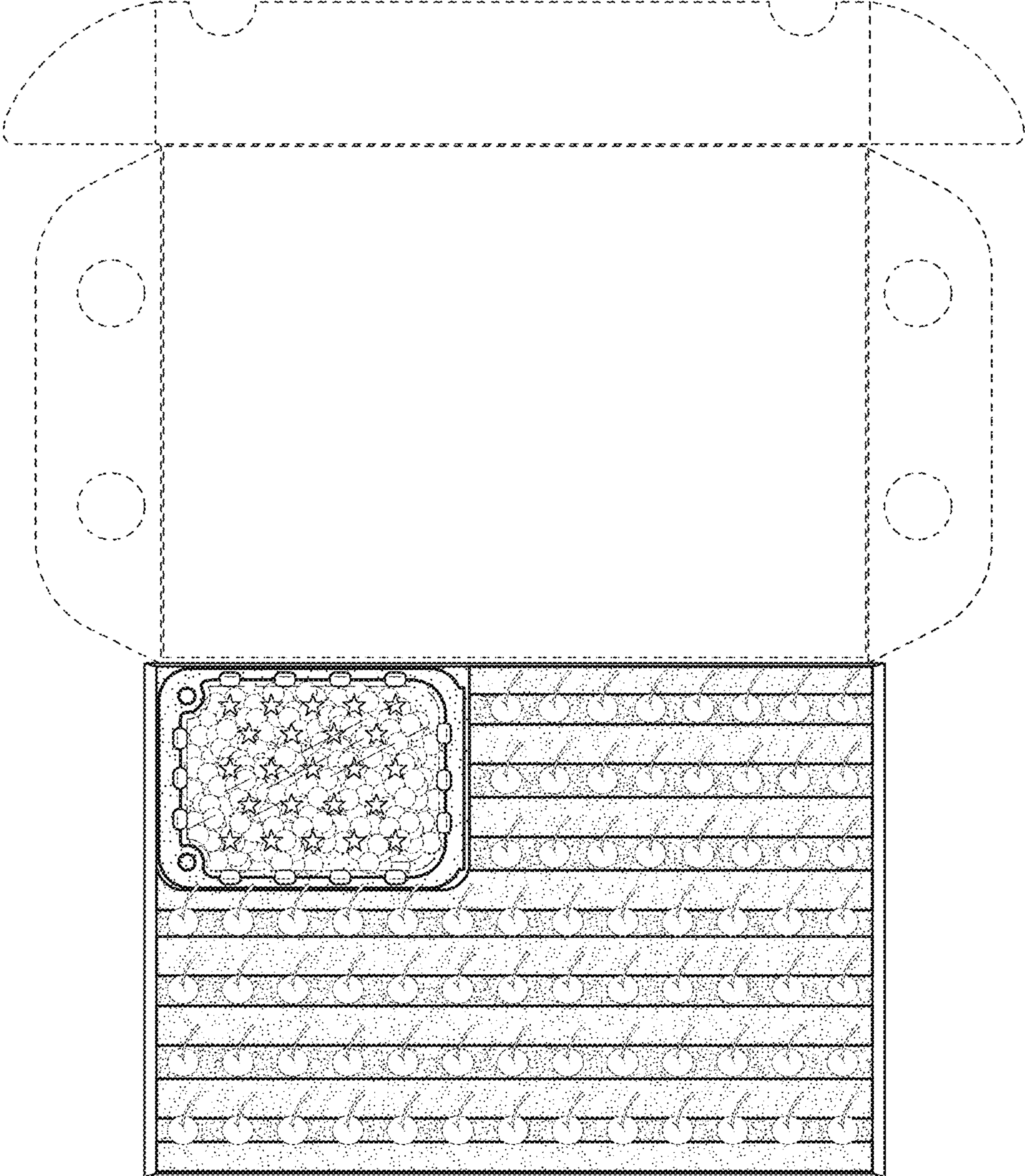


Figure 6

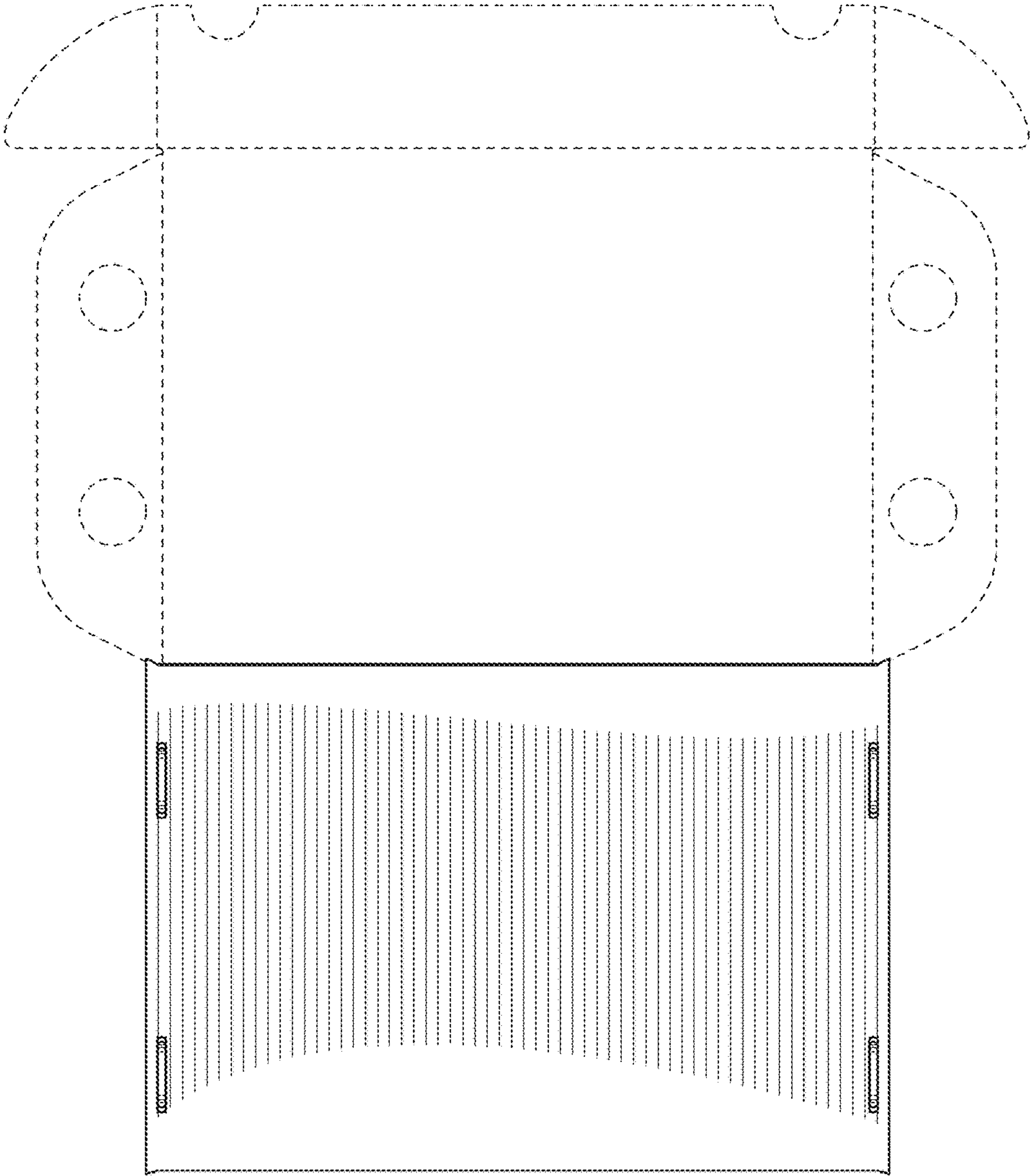


Figure 7