



US00D824771S

(12) **United States Design Patent** (10) **Patent No.:** **US D824,771 S**
Pascalie (45) **Date of Patent:** **** Aug. 7, 2018**

(54) **NAIL POLISH BOTTLE WITH CAP**

FOREIGN PATENT DOCUMENTS

(71) Applicant: **L'Oreal USA Creative, Inc.**, New York, NY (US)

CN 201630075699 * 3/2016
CN 201630533877 * 11/2016
IN 284417 * 6/2016

(72) Inventor: **Olivier Pascalie**, Asnières-sur-Seine (FR)

OTHER PUBLICATIONS

(73) Assignee: **L'Oreal USA Creative, Inc.**, New York, NY (US)

Blue Monday: Essie Truth or Flare and Comparisons. Online, Published date Mar. 3, 2014. Retrieved on Nov. 3, 2017 from URL: <http://www.polishedcousins.com/2014/03/blue-monday-essie-truth-or-flare-and.html>.*

(**) Term: **15 Years**

Primary Examiner — Vy N Koenig

(21) Appl. No.: **29/589,599**

Assistant Examiner — Omeed Agilee

(22) Filed: **Jan. 3, 2017**

(74) *Attorney, Agent, or Firm* — Edell, Shapiro & Finnan, LLC

(51) **LOC (11) Cl.** **09-01**

(57) **CLAIM**

(52) **U.S. Cl.**

The ornamental design for a nail polish bottle with cap, as shown and described.

USPC **D9/560**; D9/520; D9/563

(58) **Field of Classification Search**

DESCRIPTION

USPC D9/434–435, 439, 447, 449, 450, 452, D9/454, 516, 520, 522–524, 528–531, D9/541–544, 549–551, 558–560, 563, D9/565–566, 571–575, 682, 686, 687, D9/693–694, 715, 719; D7/300, 300.1, D7/316, 317, 598; D23/211, 225

CPC ... B65D 1/00; B65D 1/02; B65D 1/12; B65D 1/18; B65D 1/20; B65D 1/0223; B65D 23/00; B65D 21/0237; B65D 2501/0009; B65D 2501/0081

See application file for complete search history.

FIG. 1 is a front, right perspective view from above of a nail polish bottle with cap showing the new design;
FIG. 2 is a front elevation view of the nail polish bottle with cap of FIG. 1;
FIG. 3 is a rear elevation view of the nail polish bottle with cap of FIG. 1;
FIG. 4 is a right side elevation view of the nail polish bottle with cap of FIG. 1;
FIG. 5 is a left side elevation view of the nail polish bottle with cap of FIG. 1;
FIG. 6 is a top plan view of the nail polish bottle with cap of FIG. 1;
FIG. 7 is a bottom plan view of the nail polish bottle with cap of FIG. 1; and,
FIG. 8 is front, right perspective view from below of the nail polish bottle with cap of FIG. 1.
The broken lines in the drawings depict portions of the nail polish bottle with cap that form no part of the claimed design.

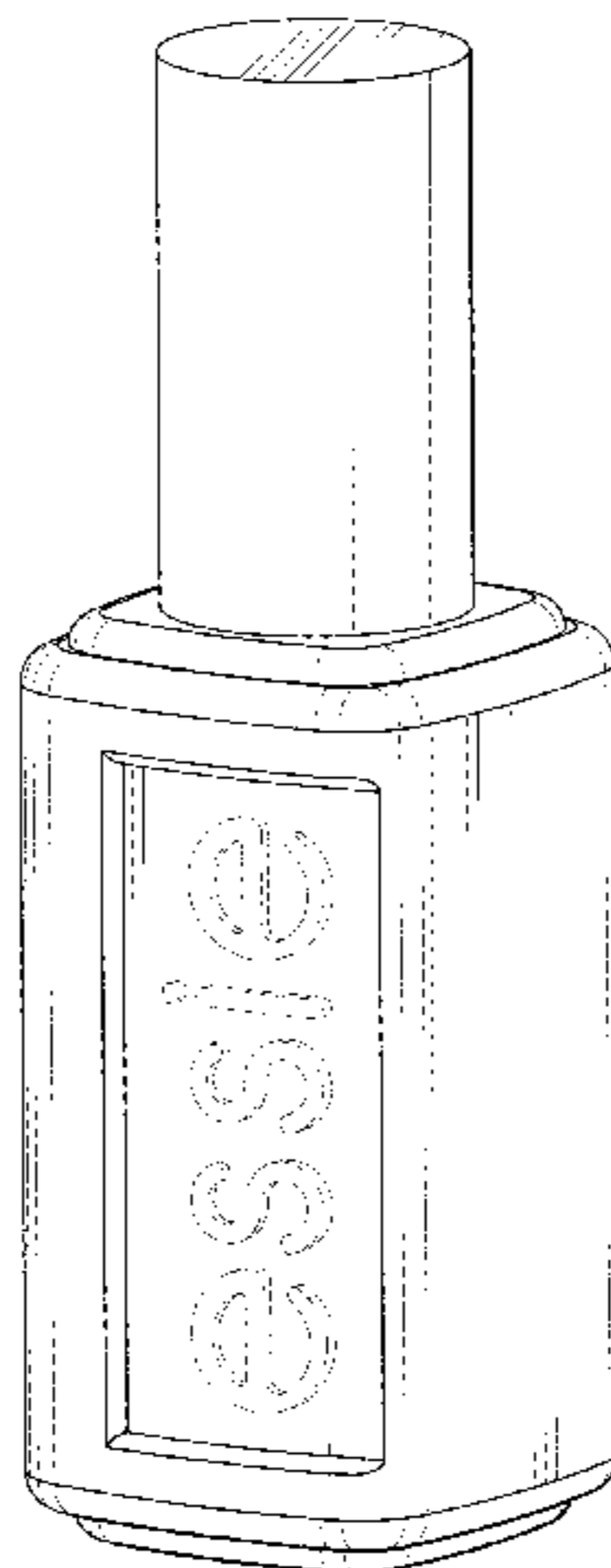
(56) **References Cited**

U.S. PATENT DOCUMENTS

D243,660 S * 3/1977 Levy D9/563
D317,717 S * 6/1991 Carol D9/418
D425,794 S * 5/2000 Grossnickle D9/520
D471,108 S * 3/2003 Calderone, Jr. D9/520
D512,920 S * 12/2005 Kim D9/560
D535,104 S * 1/2007 Chen D4/116
D542,149 S * 5/2007 Boucher D9/686

(Continued)

1 Claim, 7 Drawing Sheets



(56)

References Cited

U.S. PATENT DOCUMENTS

| | | | | |
|------------|---|---------|--------------------|--------|
| D551,987 S | * | 10/2007 | Kuethe | D9/453 |
| D571,219 S | * | 6/2008 | McCoy | D9/544 |
| D580,787 S | * | 11/2008 | Weggelaar | D9/740 |
| D730,189 S | * | 5/2015 | Haile | D4/116 |
| D767,994 S | * | 10/2016 | Goswell | D9/542 |
| D778,164 S | * | 2/2017 | Vaughn-Batiz | D9/454 |
| D787,333 S | * | 5/2017 | Ma | D4/116 |
| D796,964 S | * | 9/2017 | Staab | D9/520 |

* cited by examiner

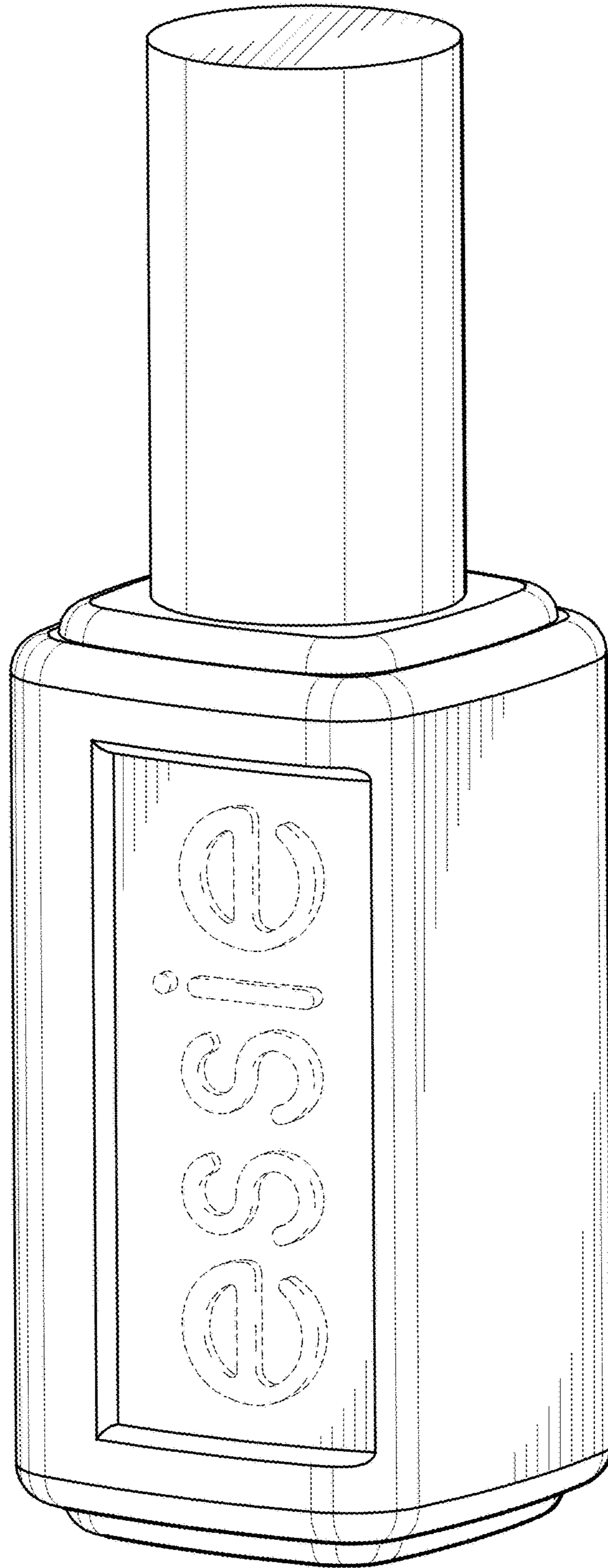


FIG.1

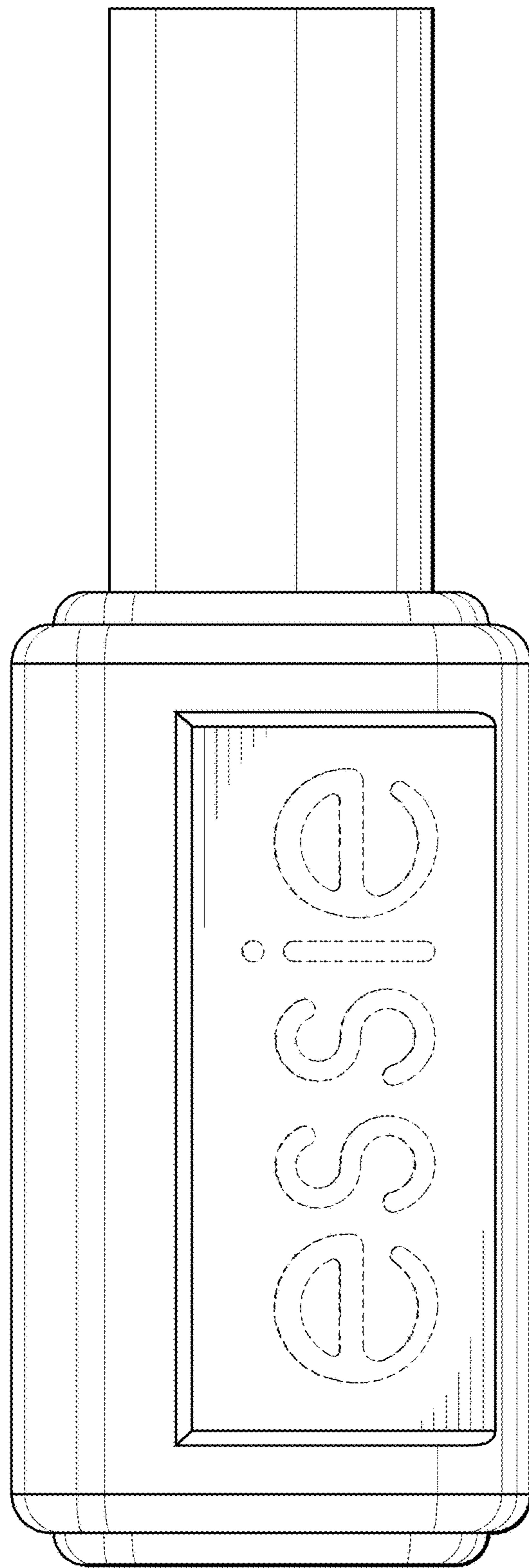


FIG.2

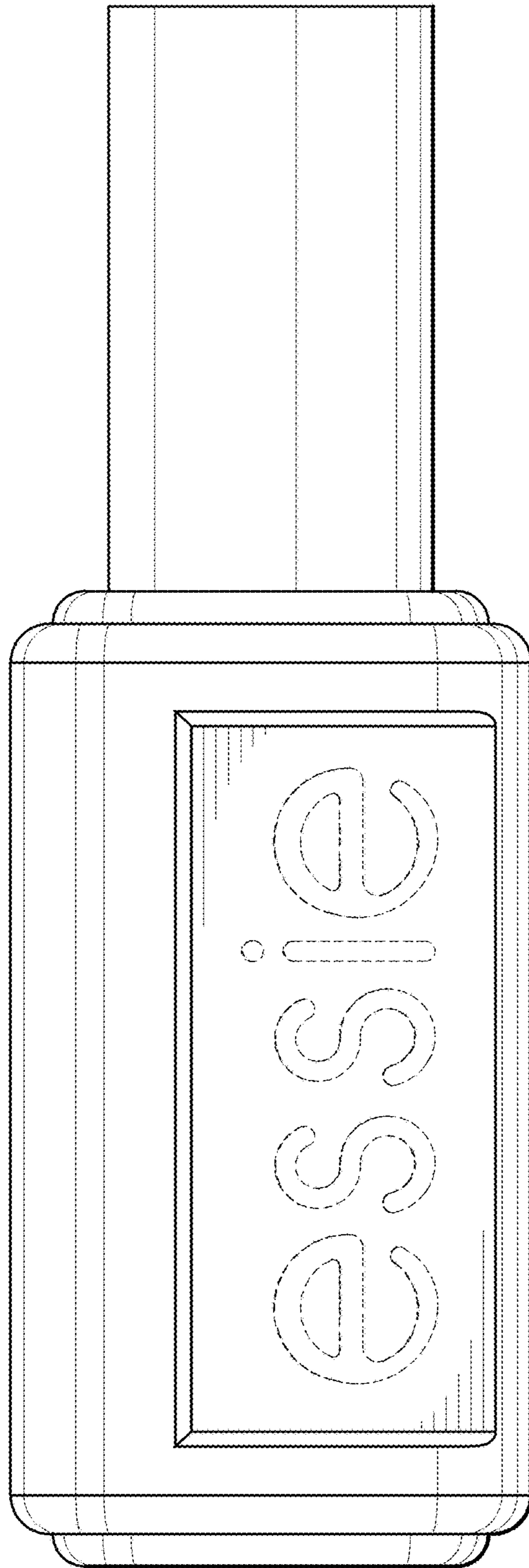


FIG.3

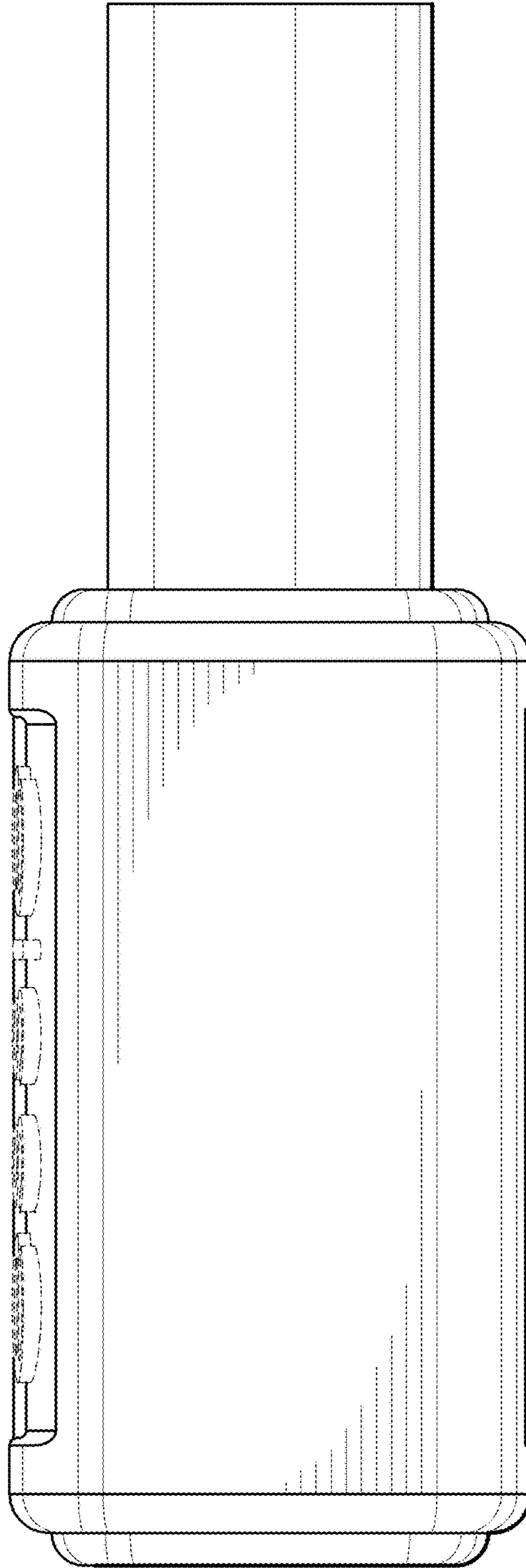


FIG.4

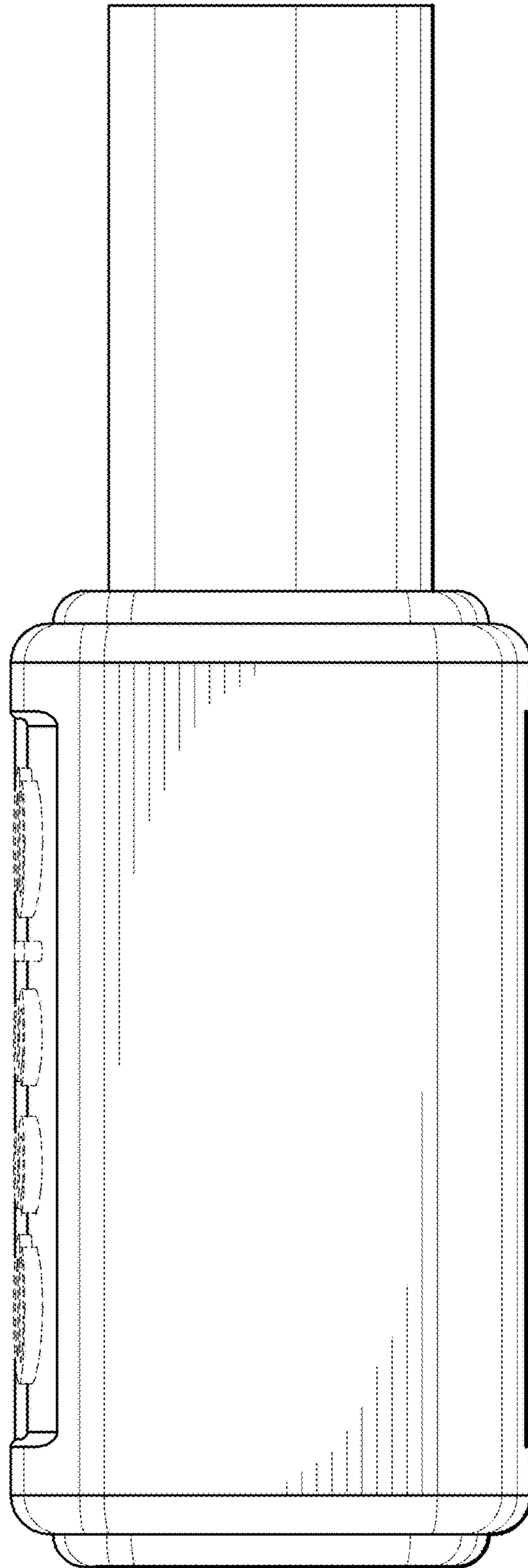


FIG.5

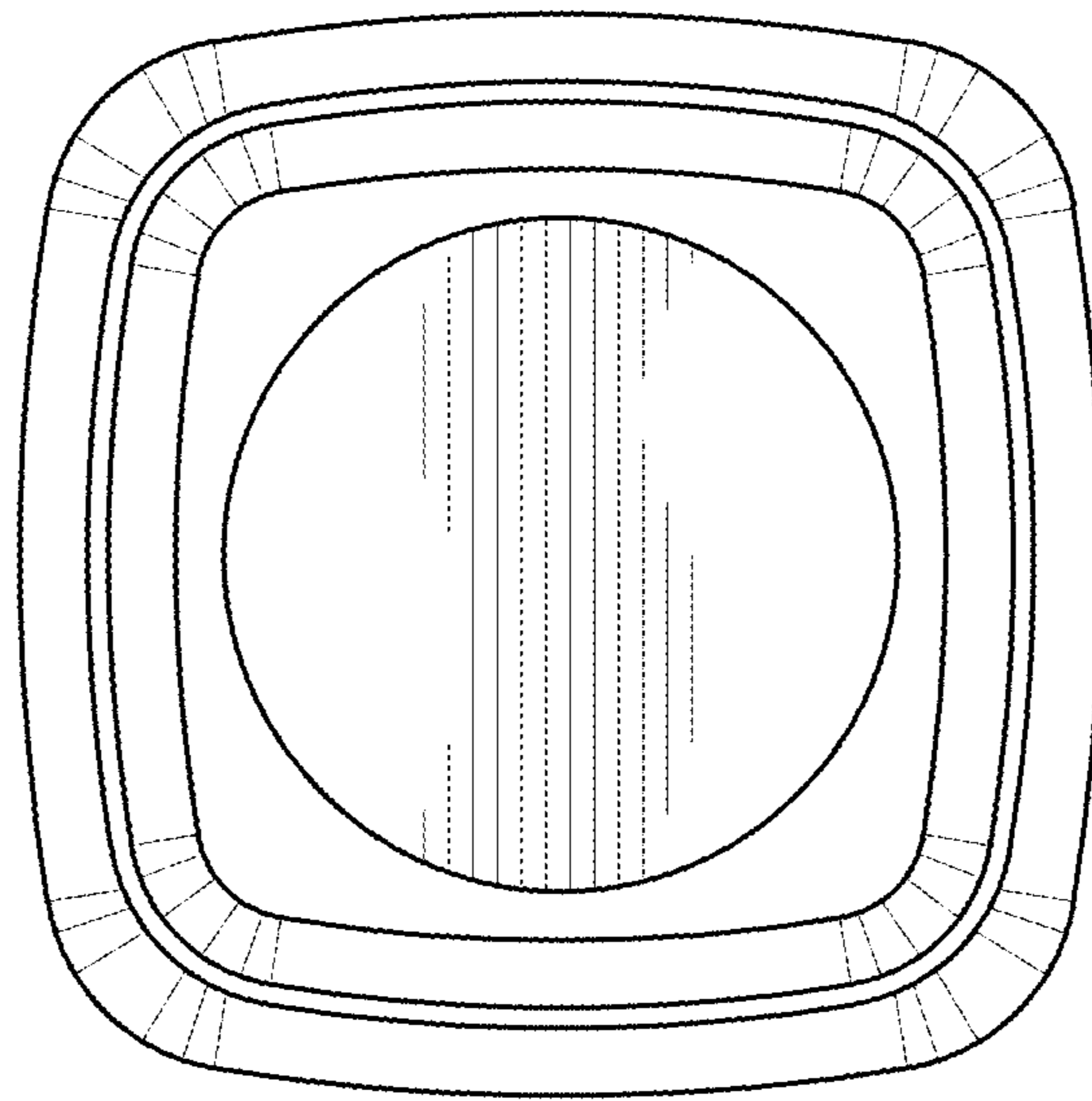


FIG. 6

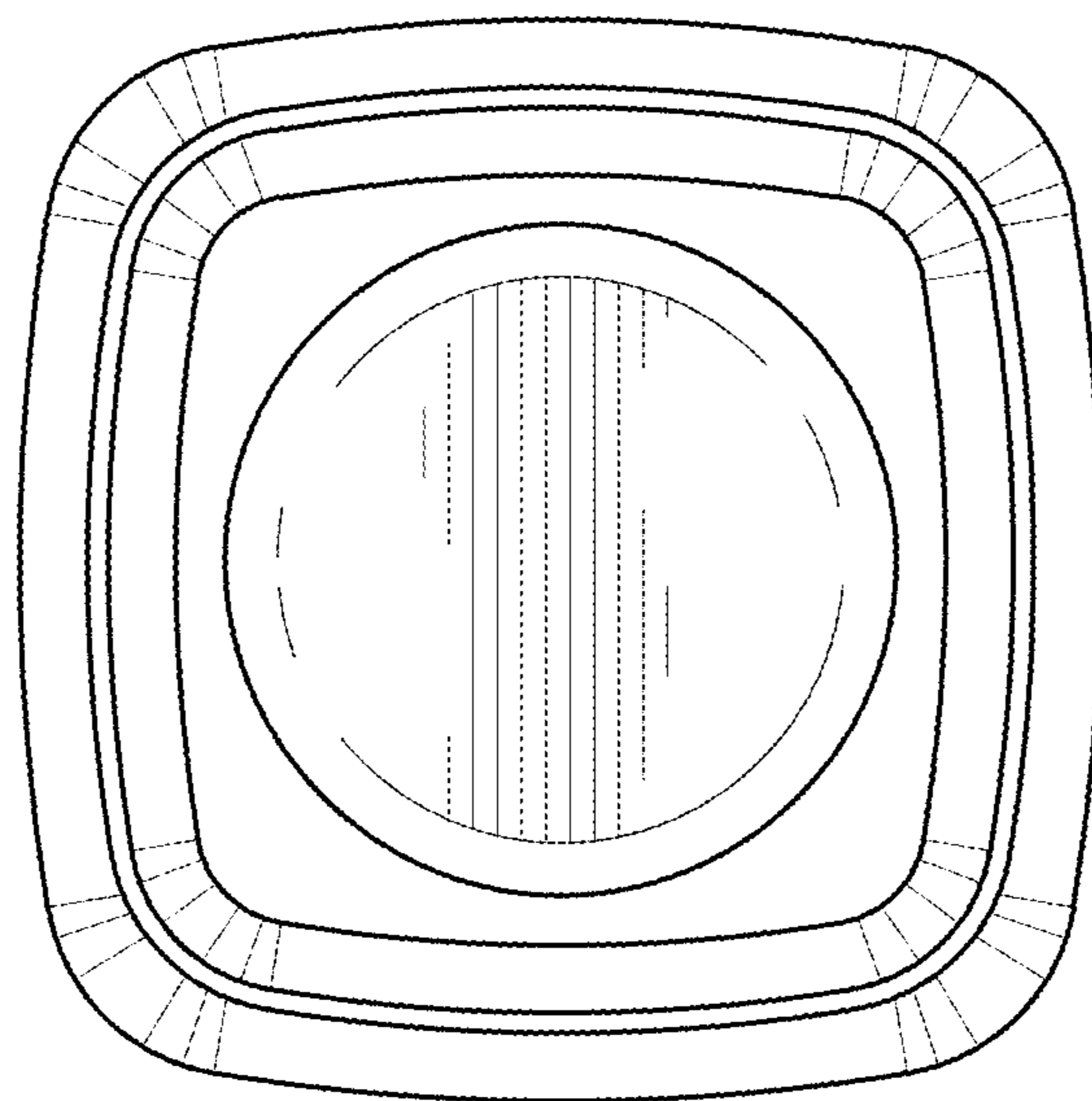


FIG. 7

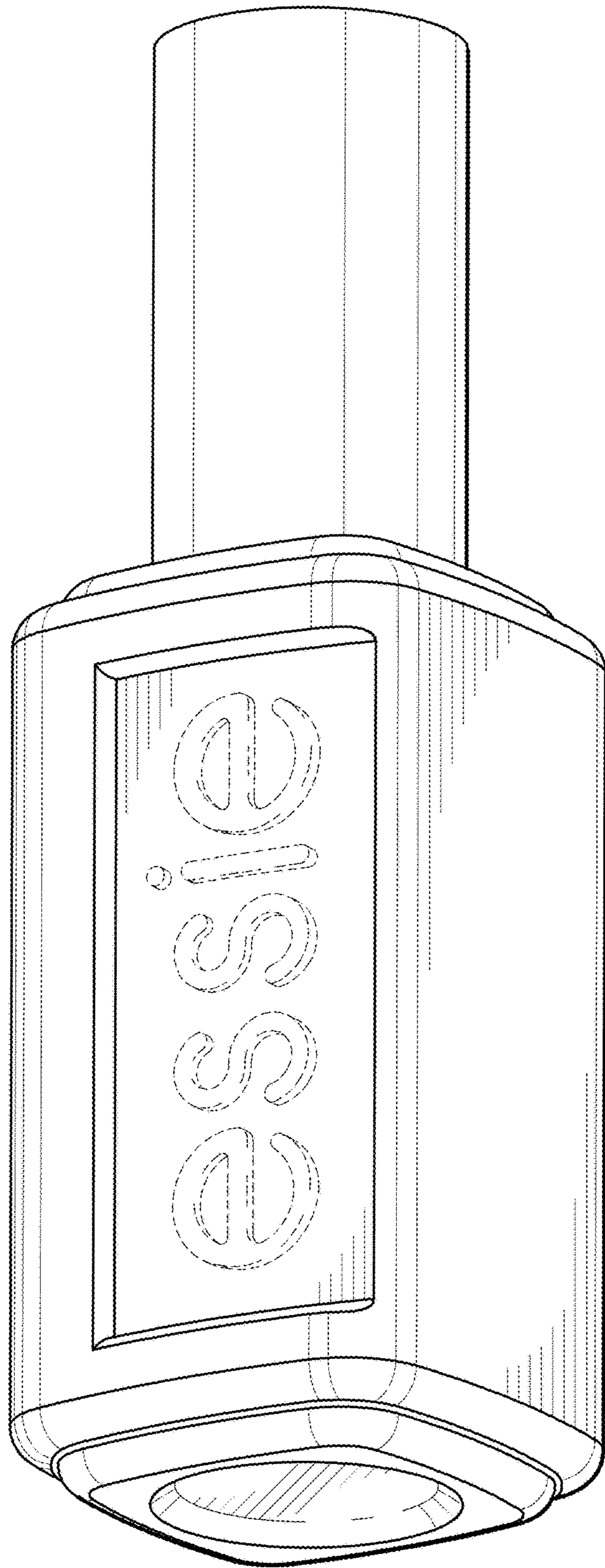


FIG.8