



US00D824768S

(12) **United States Design Patent** (10) **Patent No.:** **US D824,768 S**
Shirley et al. (45) **Date of Patent:** **** Aug. 7, 2018**

(54) **BOTTLE**
(71) Applicant: **Dart Industries Inc.**, Orlando, FL (US)
(72) Inventors: **Nathan E. Shirley**, Vancouver, WA (US); **Jan-Hendrik de Groot**e, Aalst (BE)
(73) Assignee: **Dart Industries Inc.**, Orlando, FL (US)
(**) Term: **15 Years**
(21) Appl. No.: **29/596,540**
(22) Filed: **Mar. 9, 2017**
(51) **LOC (11) Cl.** **09-01**
(52) **U.S. Cl.**
USPC **D9/538**; D9/539; D9/552; D9/556
(58) **Field of Classification Search**
USPC D9/516, 530, 537-539, 549, 556, 558, D9/569, 571, 715, 719
(Continued)

(56) **References Cited**

U.S. PATENT DOCUMENTS

D206,026 S * 10/1966 Miller D9/556
D320,455 S * 10/1991 Malcolm D24/197
(Continued)

Primary Examiner — Dana Meyrow

(74) *Attorney, Agent, or Firm* — Taylor J. Ross

(57) **CLAIM**

The ornamental design for a bottle, as shown and described.

DESCRIPTION

FIG. 1 is a top, front and left side perspective view of a first embodiment of a bottle showing our new design;
FIG. 2 is a bottom, rear and right side perspective view thereof;
FIG. 3 is a top plan view thereof;
FIG. 4 is a bottom plan view thereof;
FIG. 5 is a front elevation view thereof;
FIG. 6 is a rear elevation view thereof;
FIG. 7 is a right side elevation view thereof;

FIG. 8 is a left side elevation view thereof;
FIG. 9 is a cross-sectional view taken along line 9-9 of FIG. 3;
FIG. 10 is a cross-sectional view taken along line 10-10 of FIG. 3;
FIG. 11 is a cross-sectional view taken along line 11-11 of FIG. 5;
FIG. 12 is a top, front and left side perspective view of a second embodiment of a bottle showing our new design;
FIG. 13 is a bottom, rear and right side perspective view thereof;
FIG. 14 is a top plan view thereof;
FIG. 15 is a bottom plan view thereof;
FIG. 16 is a front elevation view thereof;
FIG. 17 is a rear elevation view thereof;
FIG. 18 is a right side elevation view thereof;
FIG. 19 is a left side elevation view thereof;
FIG. 20 is a cross-sectional view taken along line 20-20 of FIG. 14;
FIG. 21 is a cross-sectional view taken along line 21-21 of FIG. 14;
FIG. 22 is a cross-sectional view taken along line 22-22 of FIG. 16;
FIG. 23 is a top, front and left side perspective view of a third embodiment of a bottle showing our new design;
FIG. 24 is a bottom, rear and right side perspective view thereof;
FIG. 25 is a top plan view thereof;
FIG. 26 is a bottom plan view thereof;
FIG. 27 is a front elevation view thereof;
FIG. 28 is a rear elevation view thereof;
FIG. 29 is a right side elevation view thereof;
FIG. 30 is a left side elevation view thereof;
FIG. 31 is a cross-sectional view taken along line 31-31 of FIG. 25;
FIG. 32 is a cross-sectional view taken along line 32-32 of FIG. 25;
FIG. 33 is a cross-sectional view taken along line 33-33 of FIG. 27;
FIG. 34 is a top, front and left side perspective view of a fourth embodiment of a bottle showing our new design;
FIG. 35 is a bottom, rear and right side perspective view thereof;
FIG. 36 is a top plan view thereof;

(Continued)

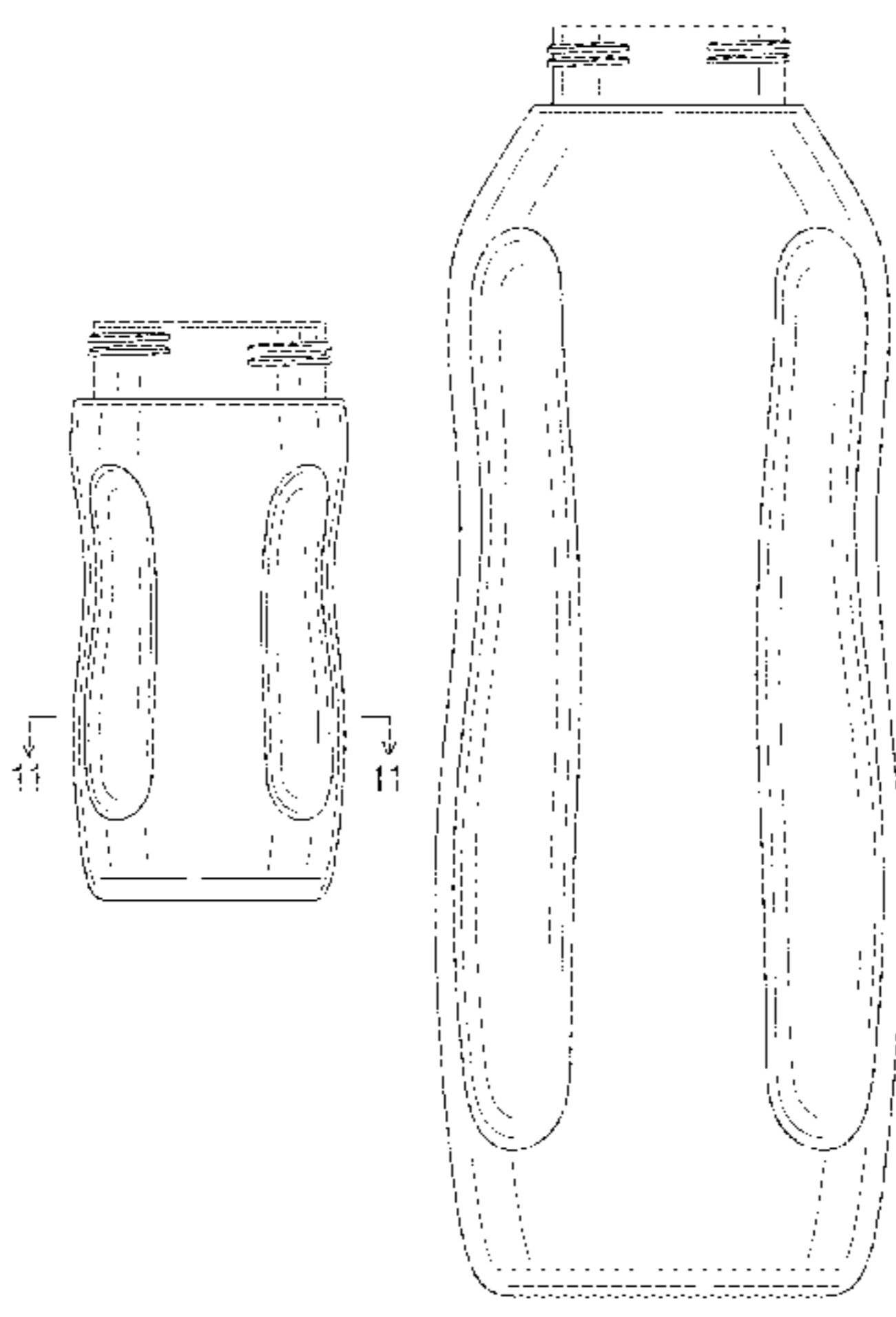


FIG. 37 is a bottom plan view thereof;
FIG. 38 is a front elevation view thereof;
FIG. 39 is a rear elevation view thereof;
FIG. 40 is a right side elevation view thereof;
FIG. 41 is a left side elevation view thereof;
FIG. 42 is a cross-sectional view taken along line 42-42 of
FIG. 36;
FIG. 43 is a cross-sectional view taken along line 43-43 of
FIG. 36; and,
FIG. 44 is a cross-sectional view taken along line 33-33 of
FIG. 38.

1 Claim, 17 Drawing Sheets

(58) **Field of Classification Search**

CPC B65D 1/00; B65D 1/02; B65D 1/0223;
B65D 23/00; B65D 81/00; B65D
2501/00; B65D 2501/0009

See application file for complete search history.

(56) **References Cited**

U.S. PATENT DOCUMENTS

D320,859 S *	10/1991	Malcolm	D24/197
D437,229 S *	2/2001	Andrew	D9/516
D609,104 S	2/2010	Ablo	
D615,360 S *	5/2010	Joy	D7/510
D659,473 S *	5/2012	Ghiassi	D7/510
D674,279 S *	1/2013	Lembke	D7/509
D686,918 S *	7/2013	Lembke	D9/500
D763,087 S *	8/2016	Hirst	D9/500
D803,059 S *	11/2017	Matthieu	D9/500

* cited by examiner

FIG. 1

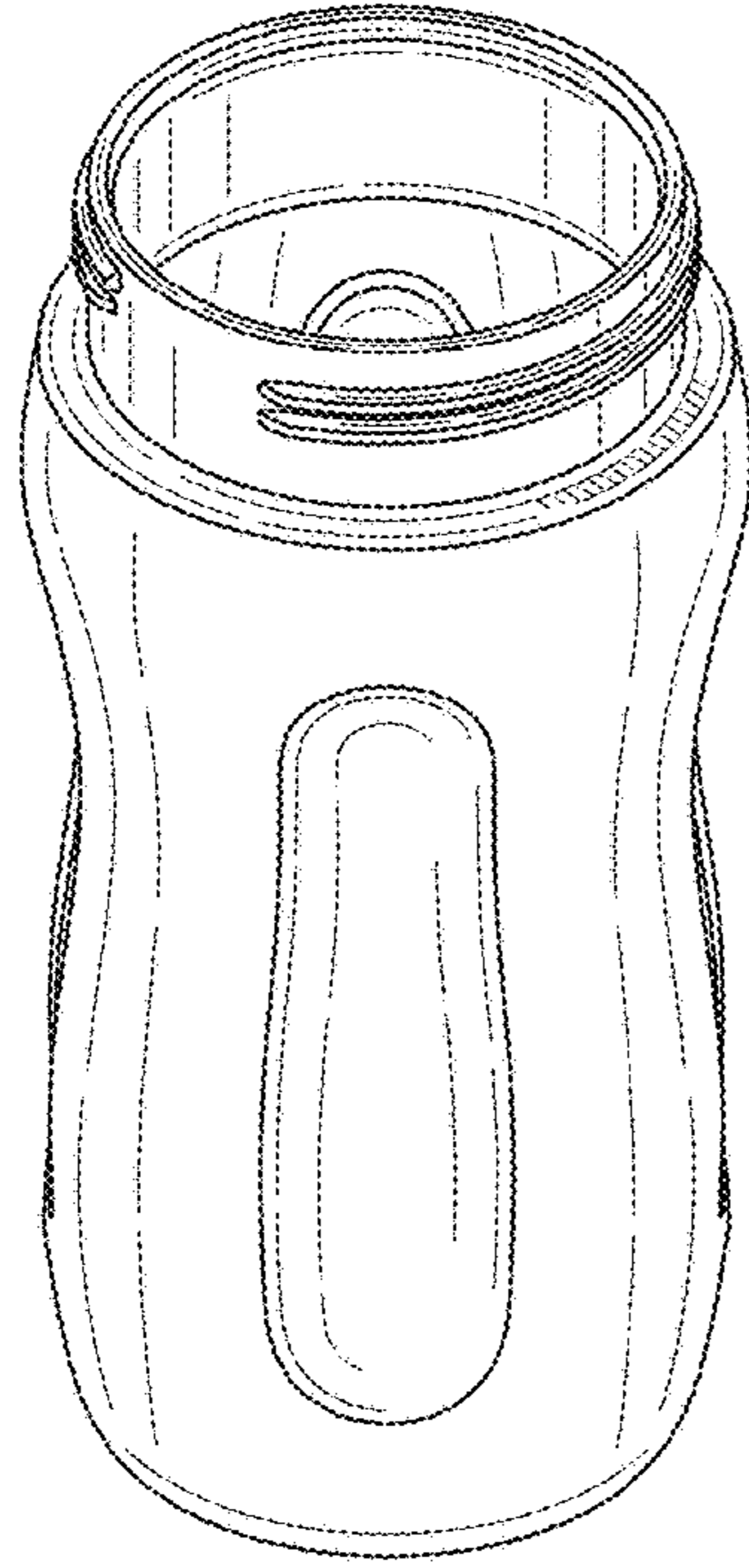


FIG. 2

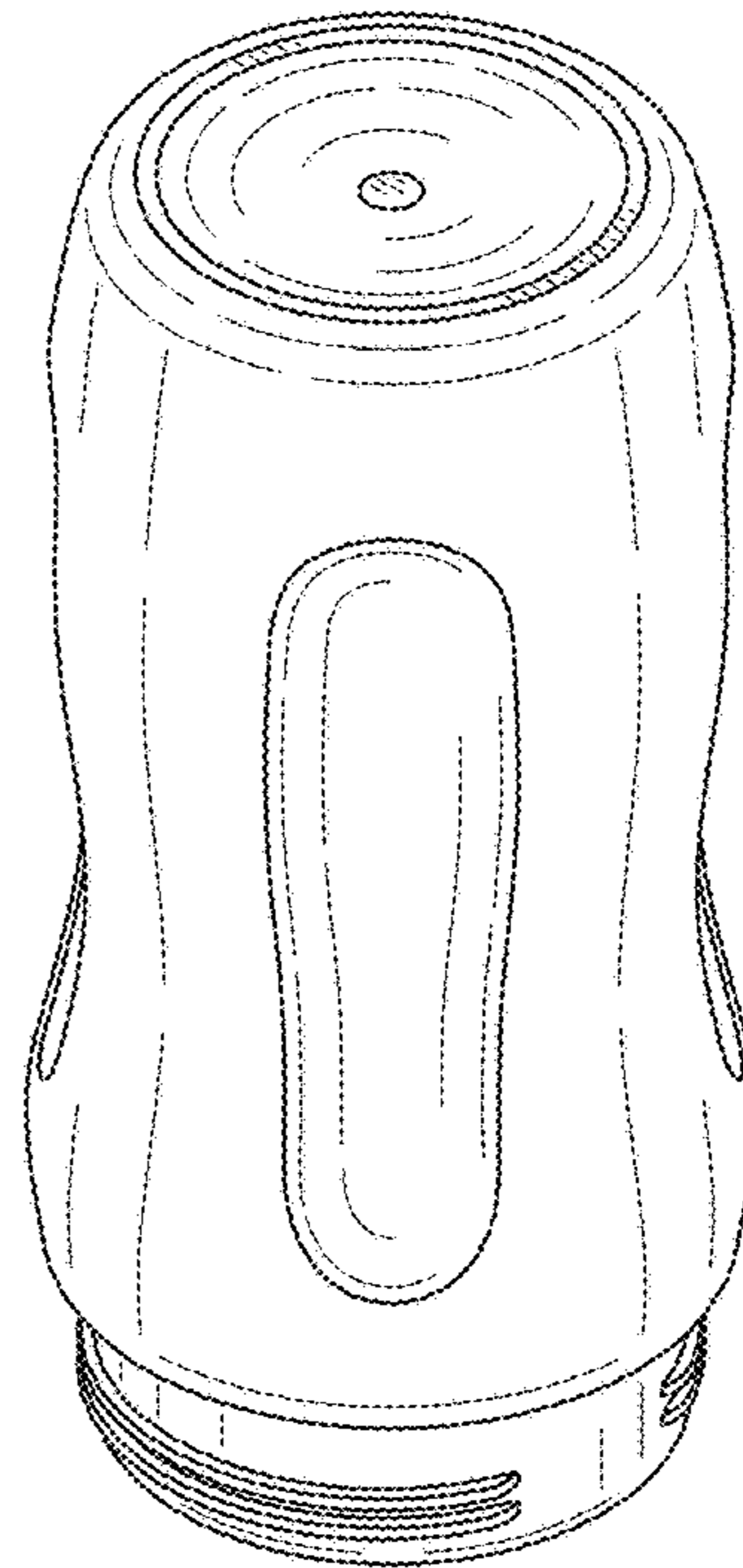


FIG. 3

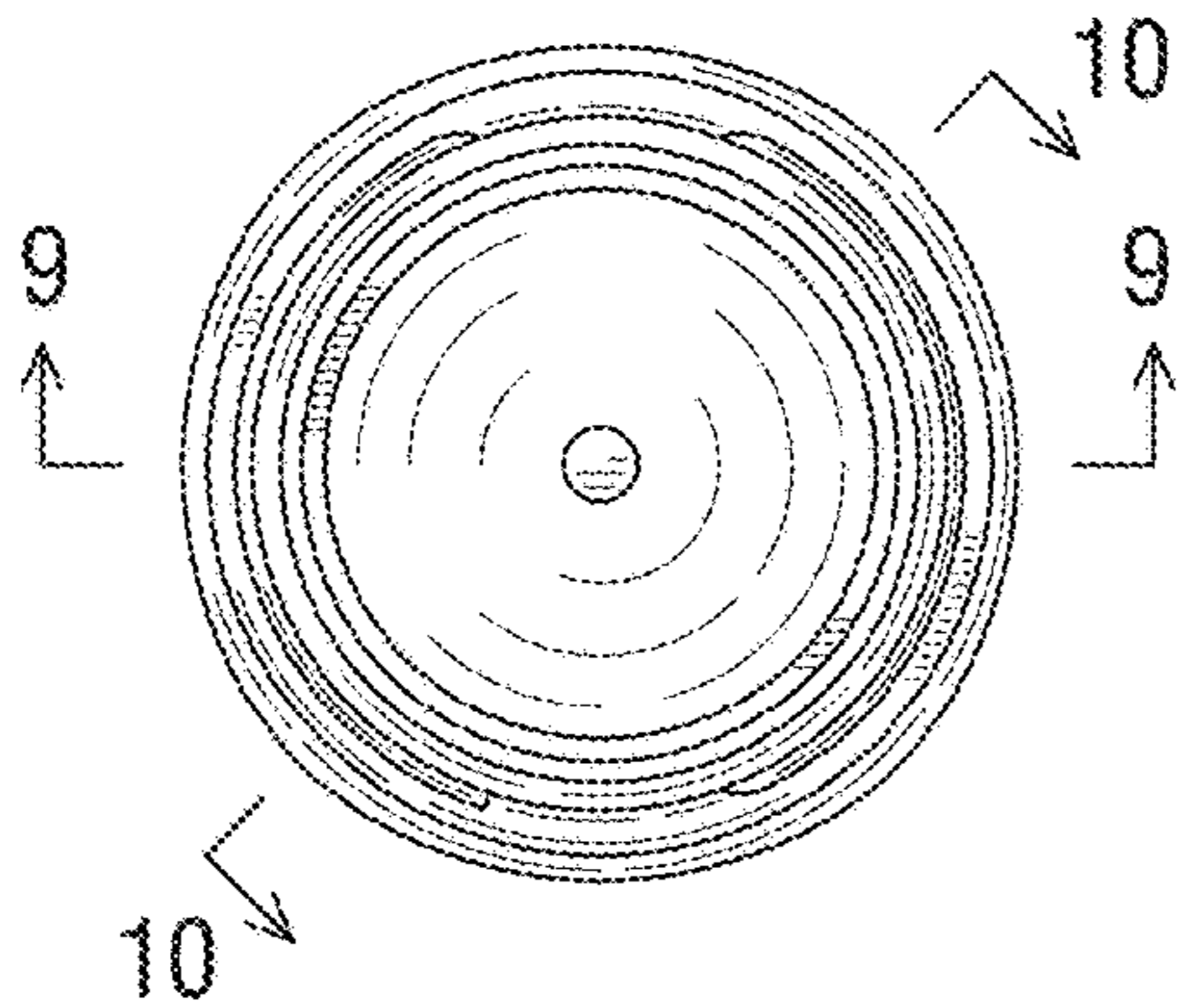


FIG. 4

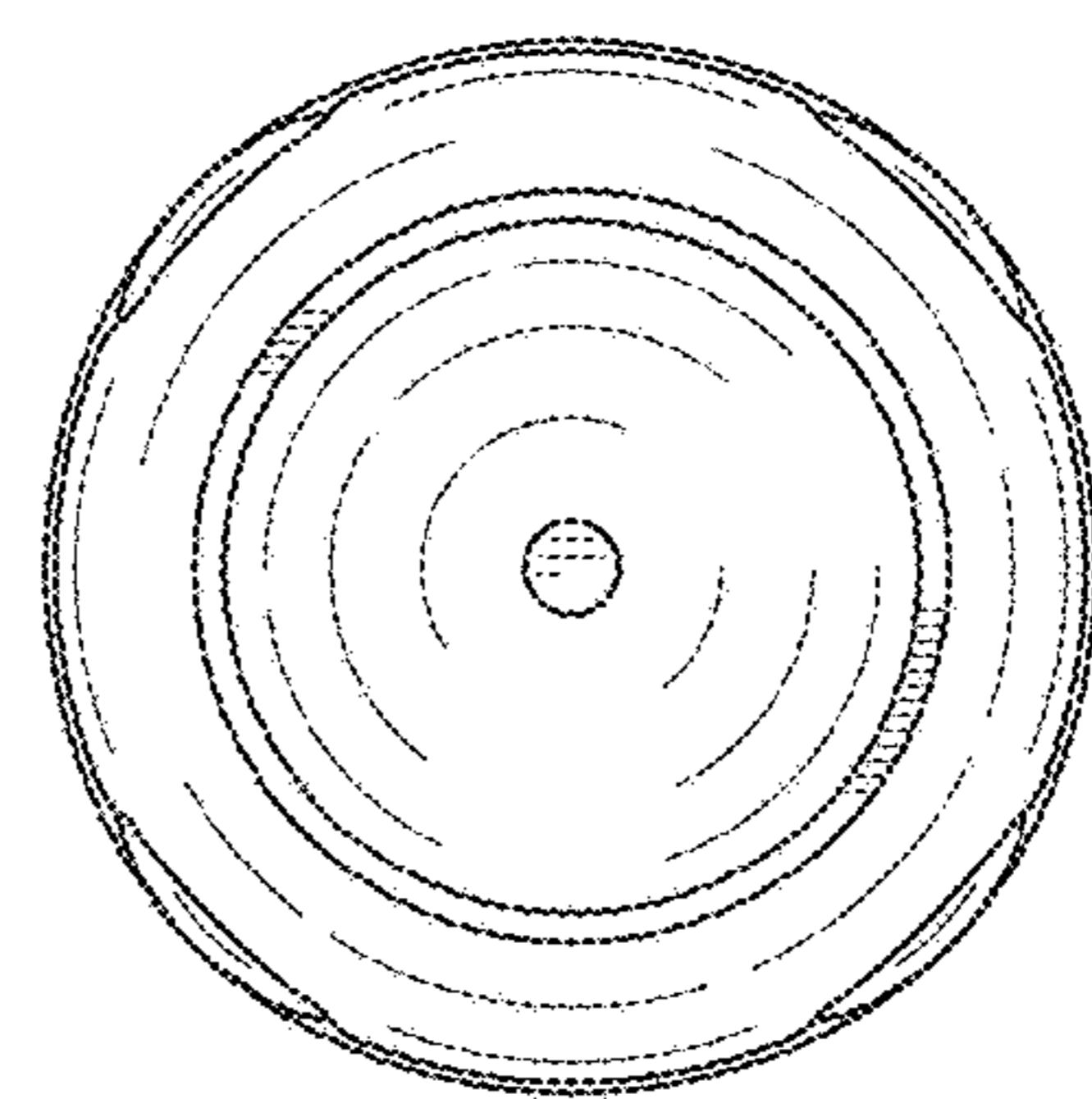


FIG. 5

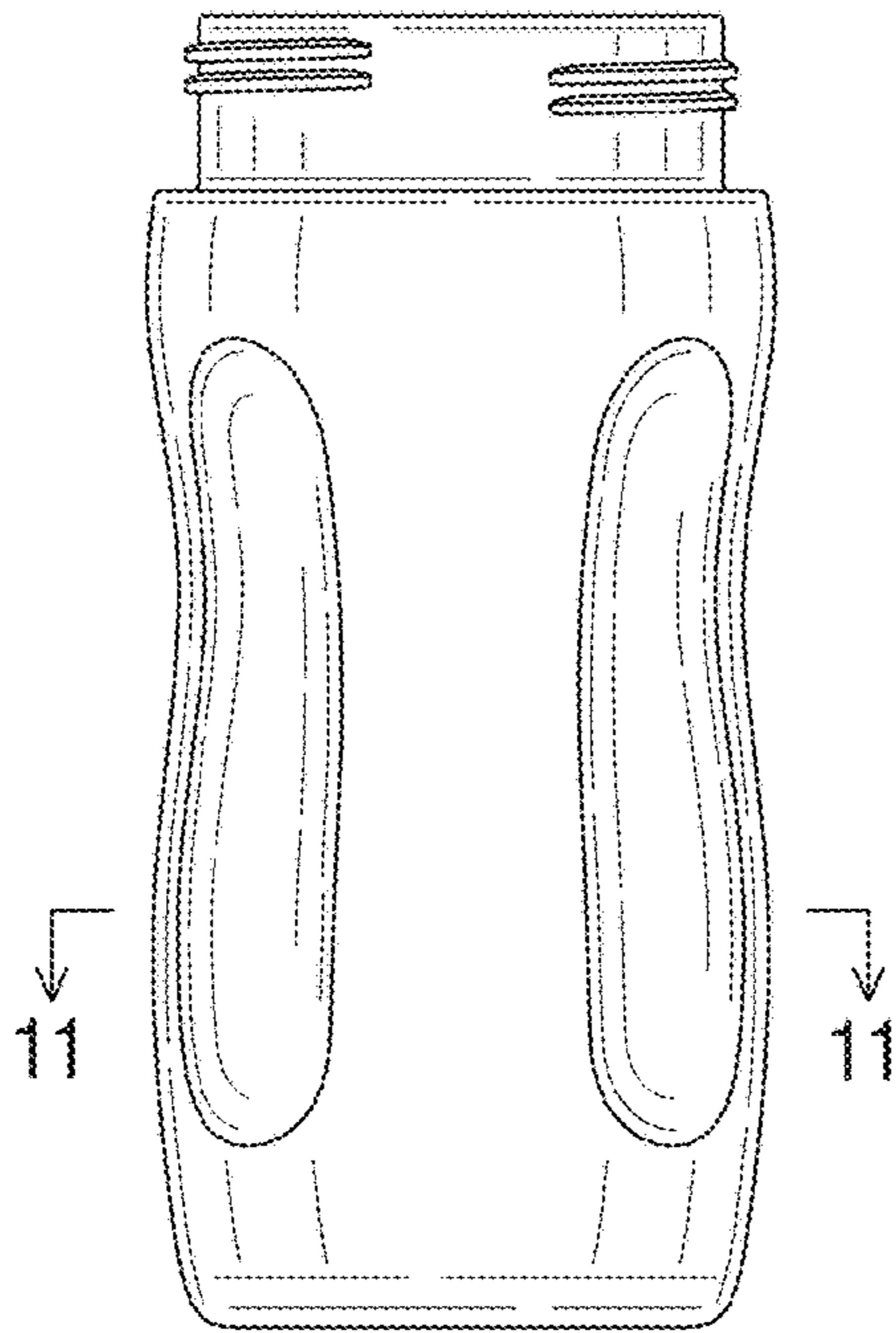


FIG. 6

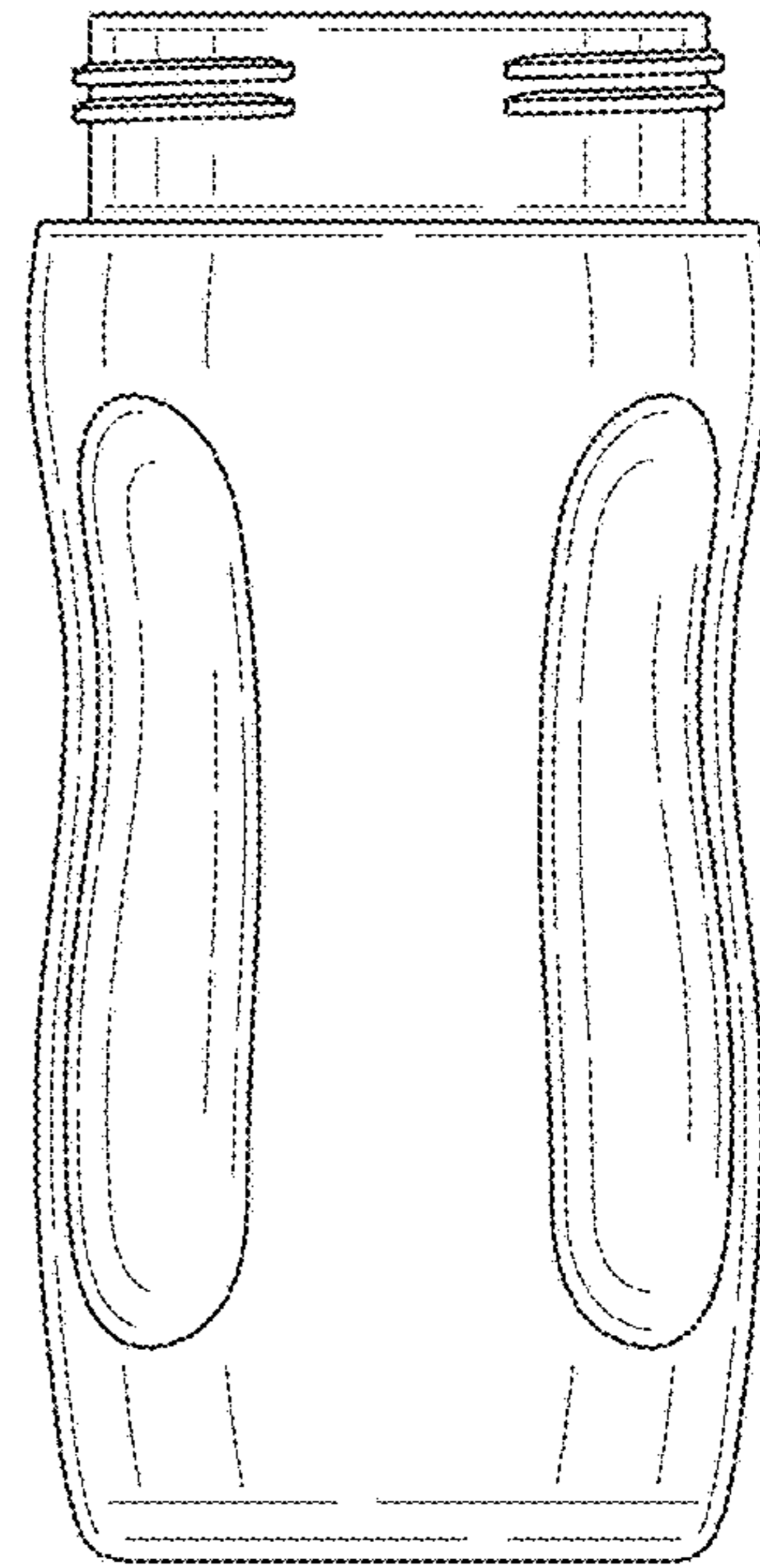


FIG. 7

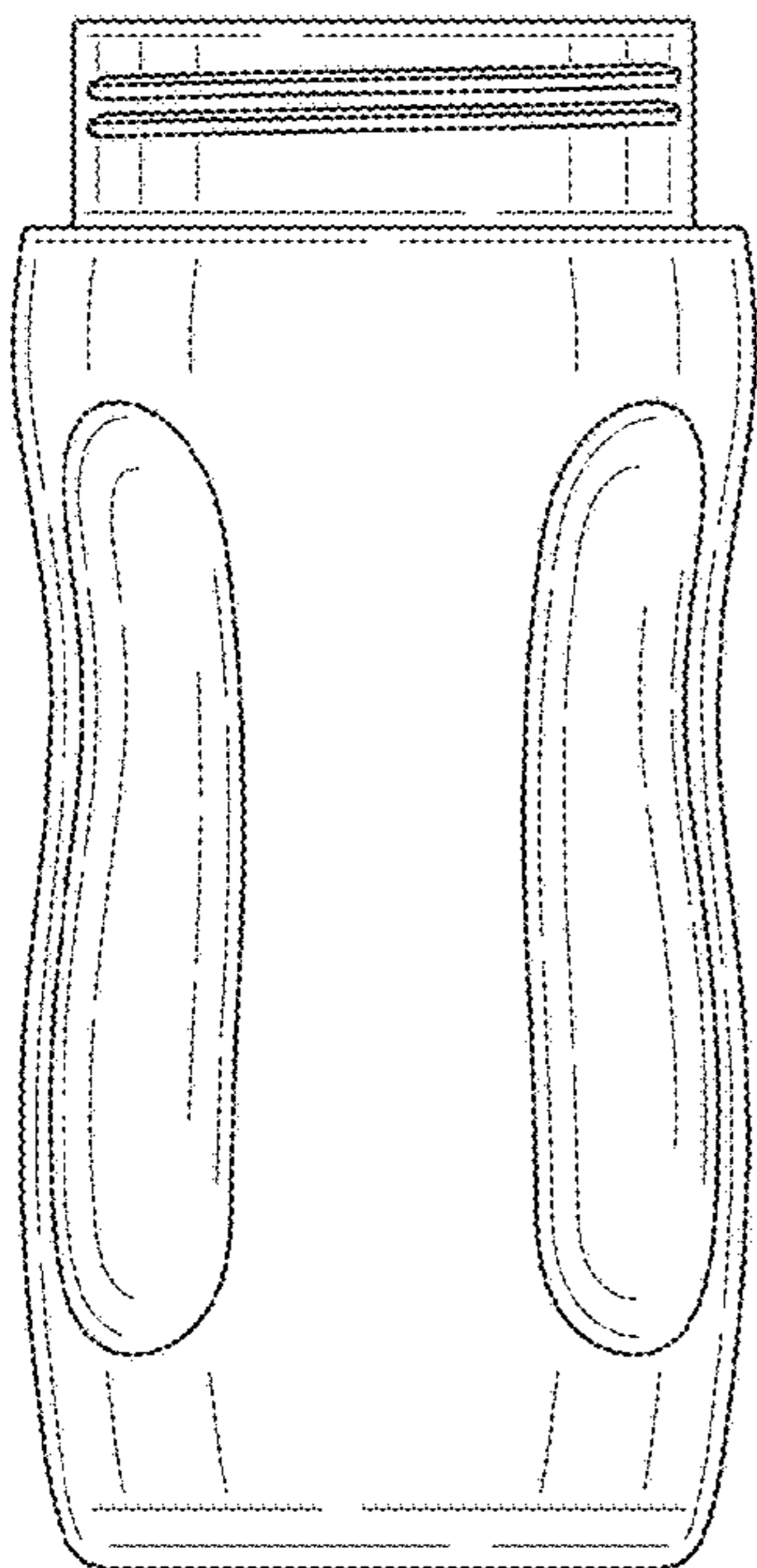


FIG. 8

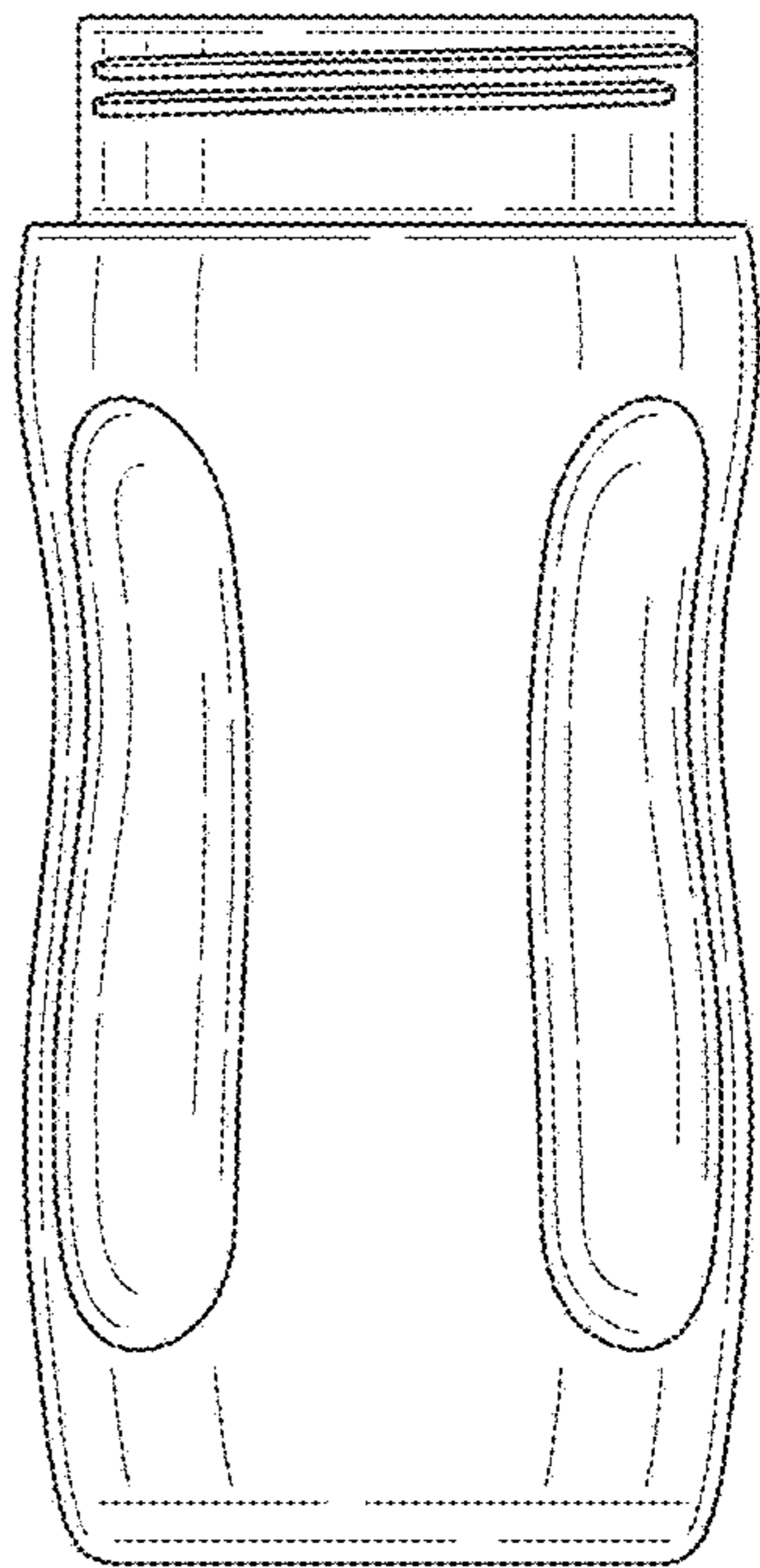


FIG. 9

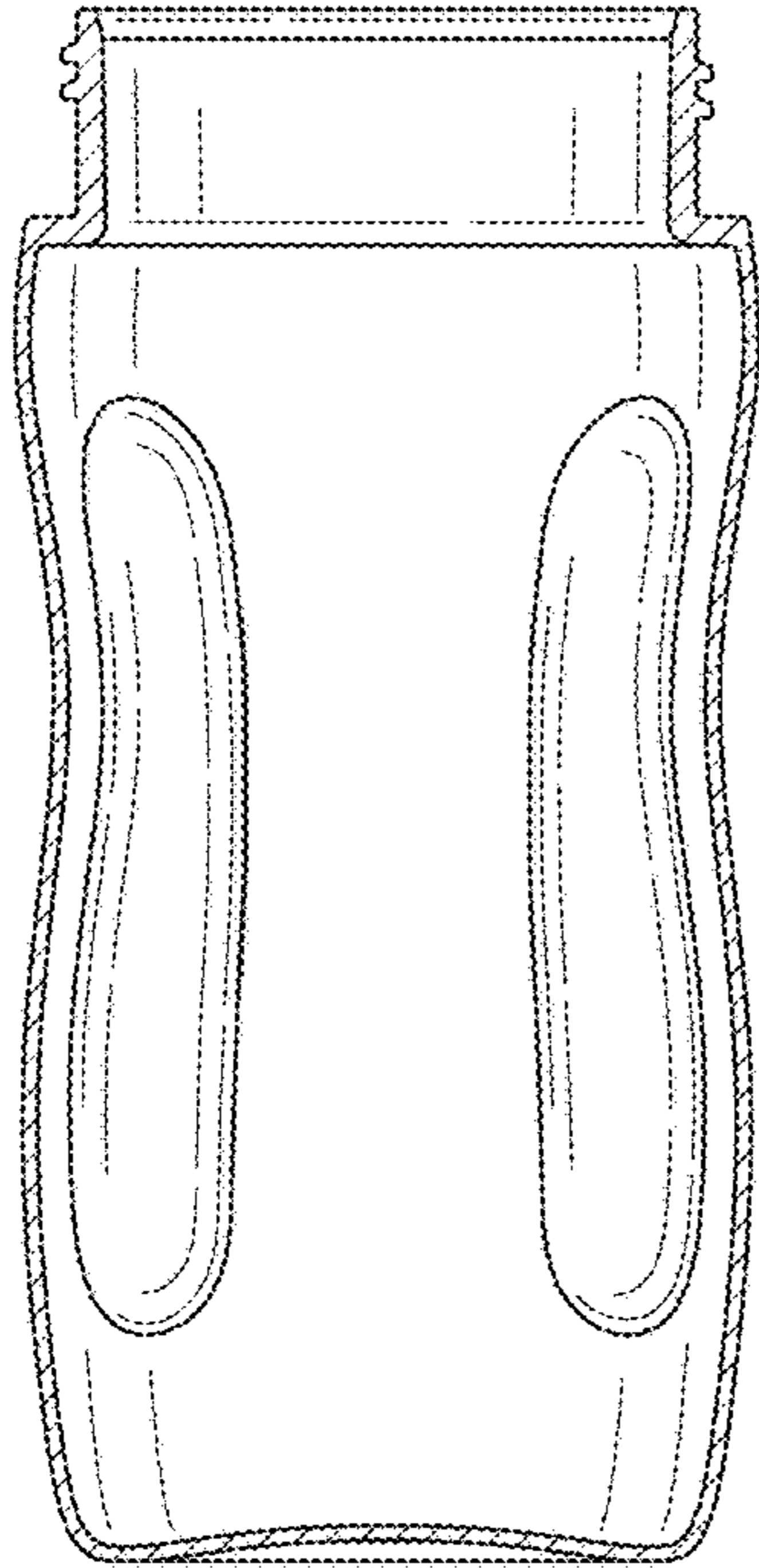


FIG. 10

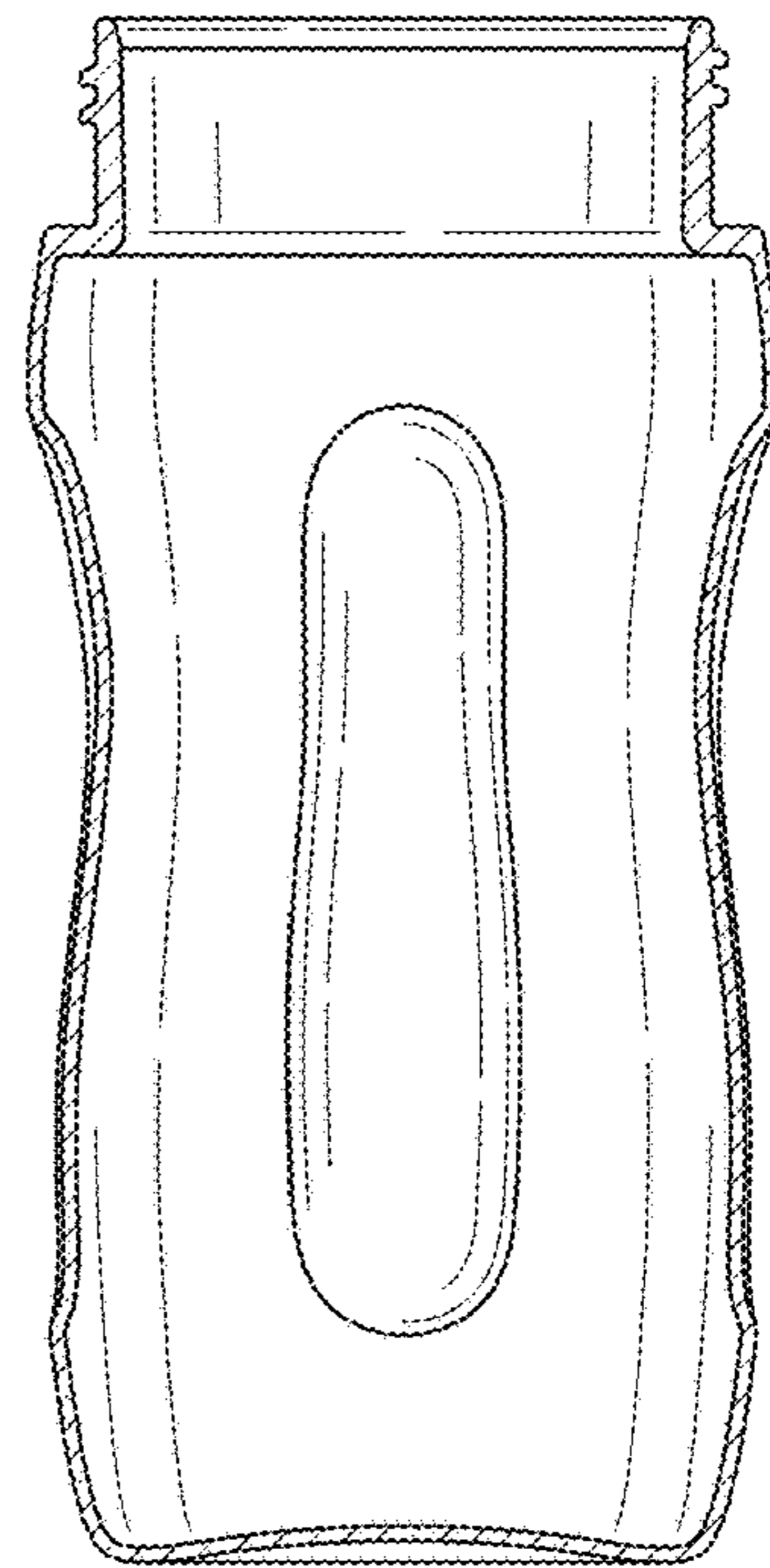


FIG. 11

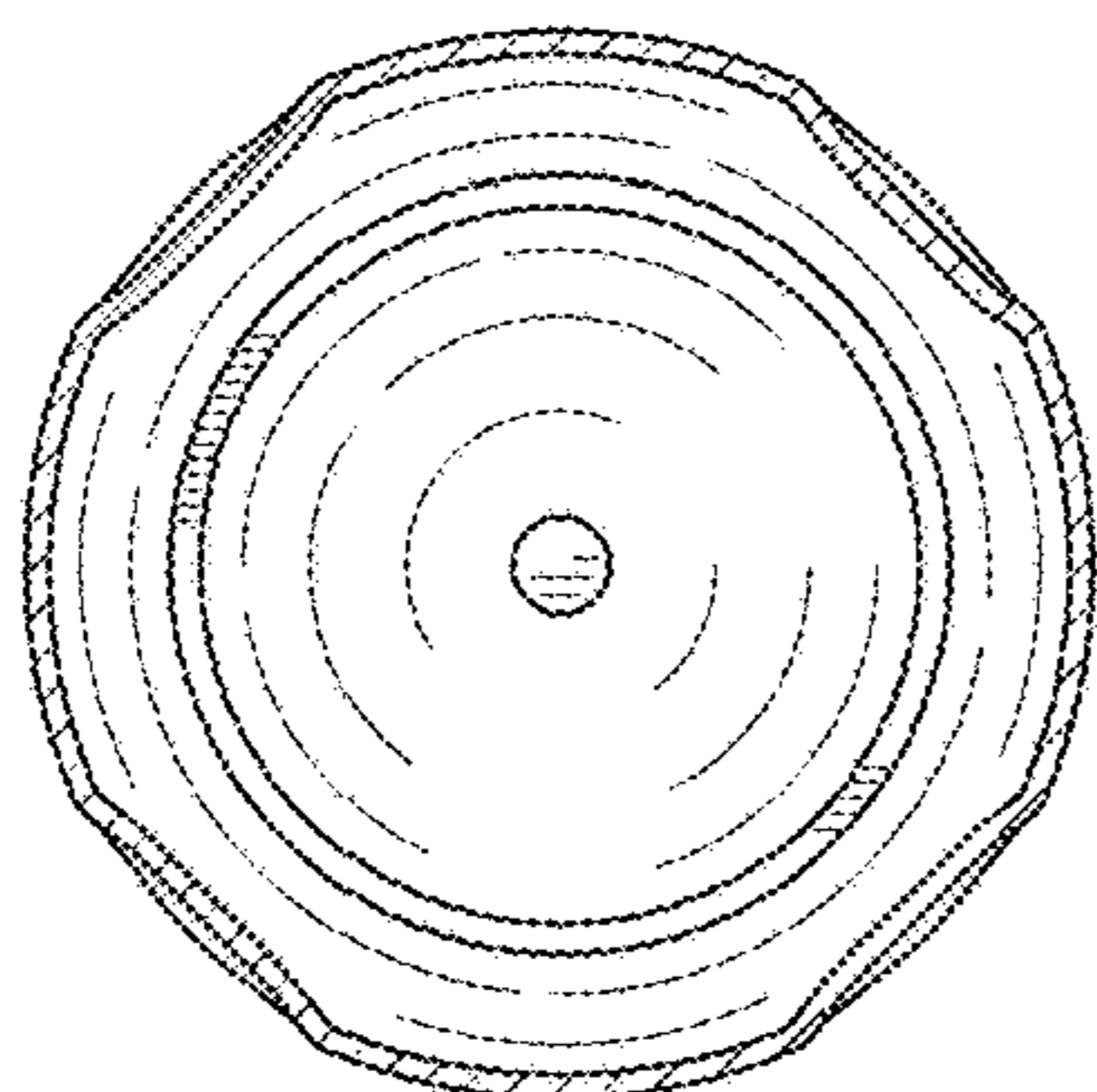


FIG. 12

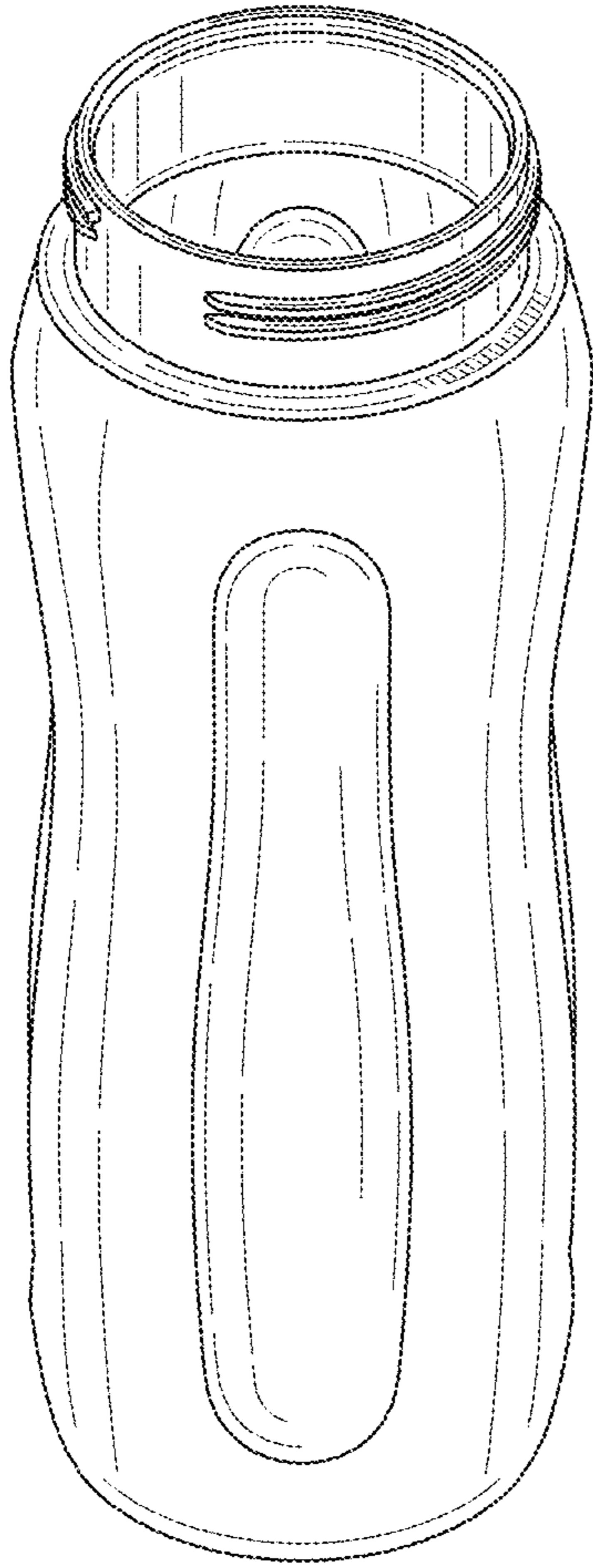


FIG. 13

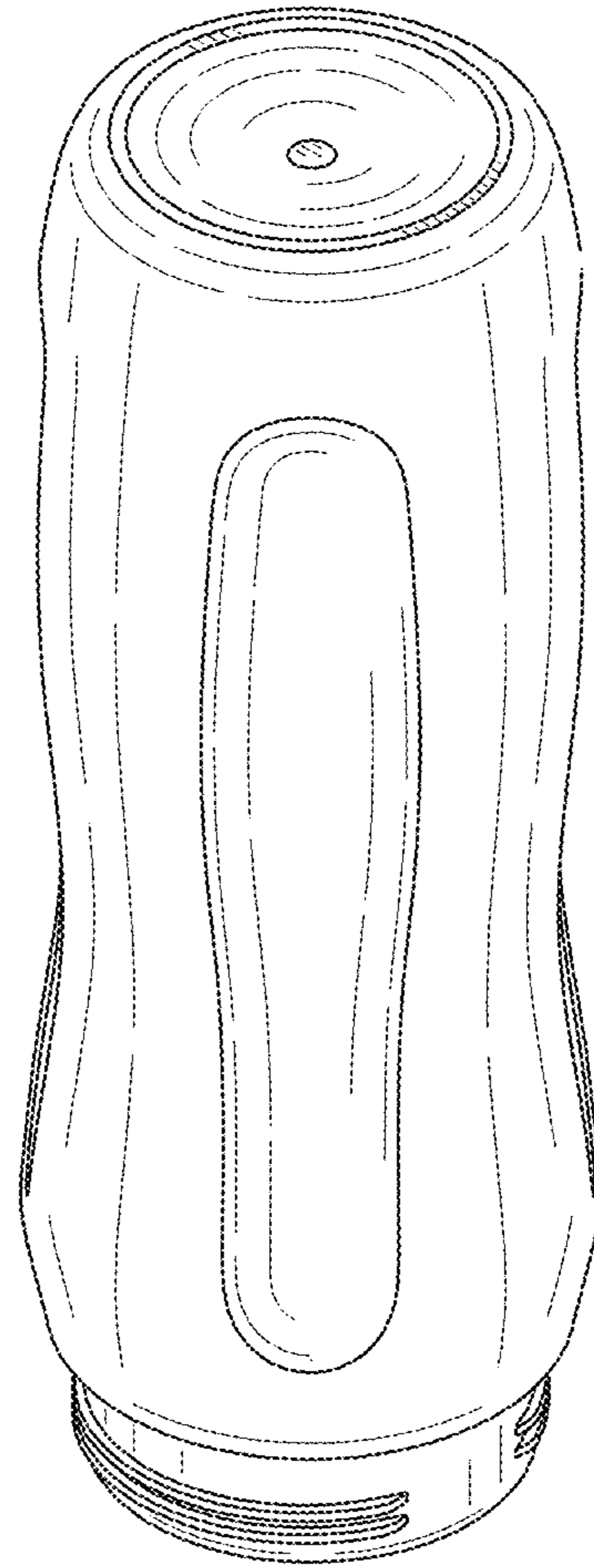


FIG. 14

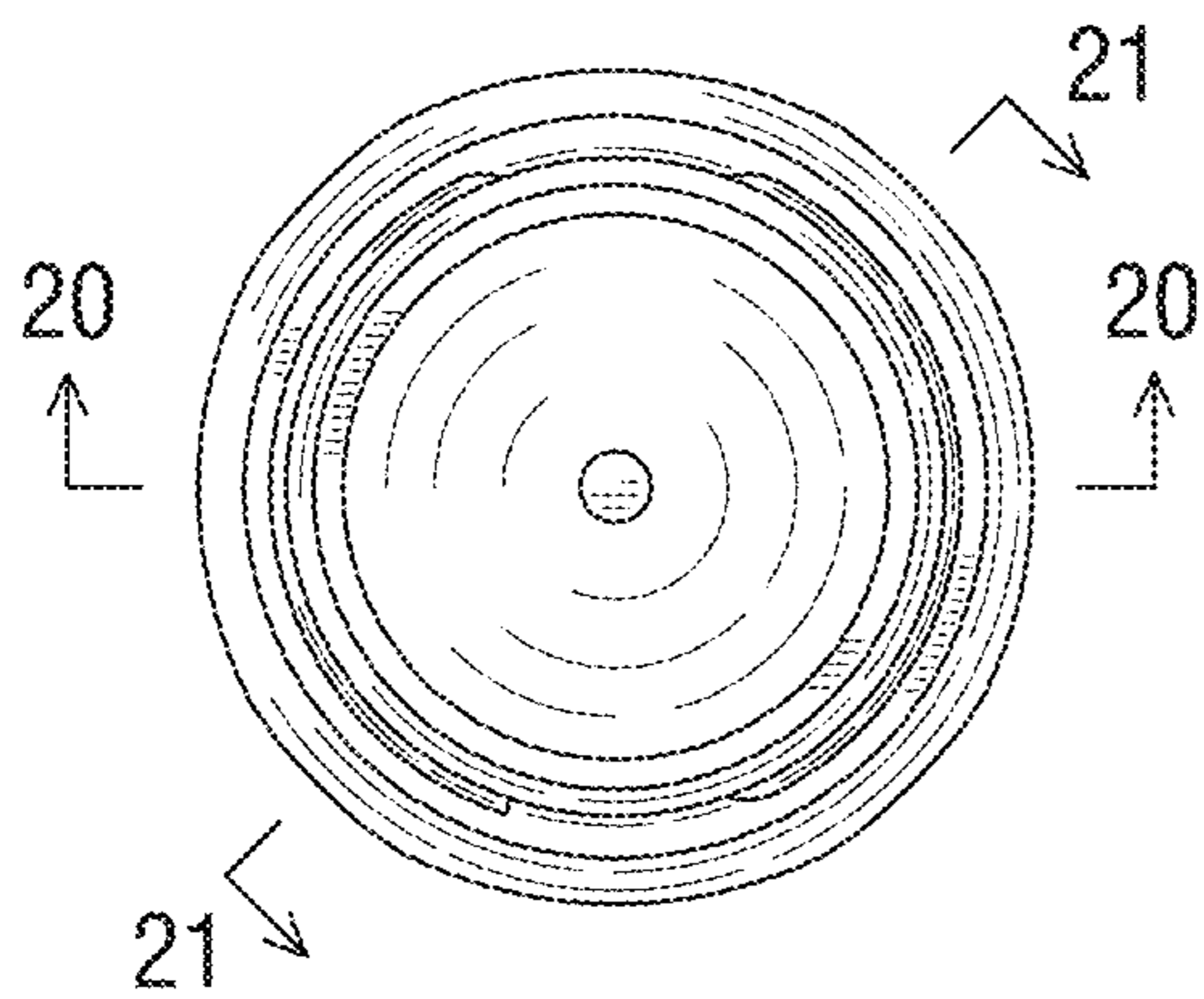


FIG. 15

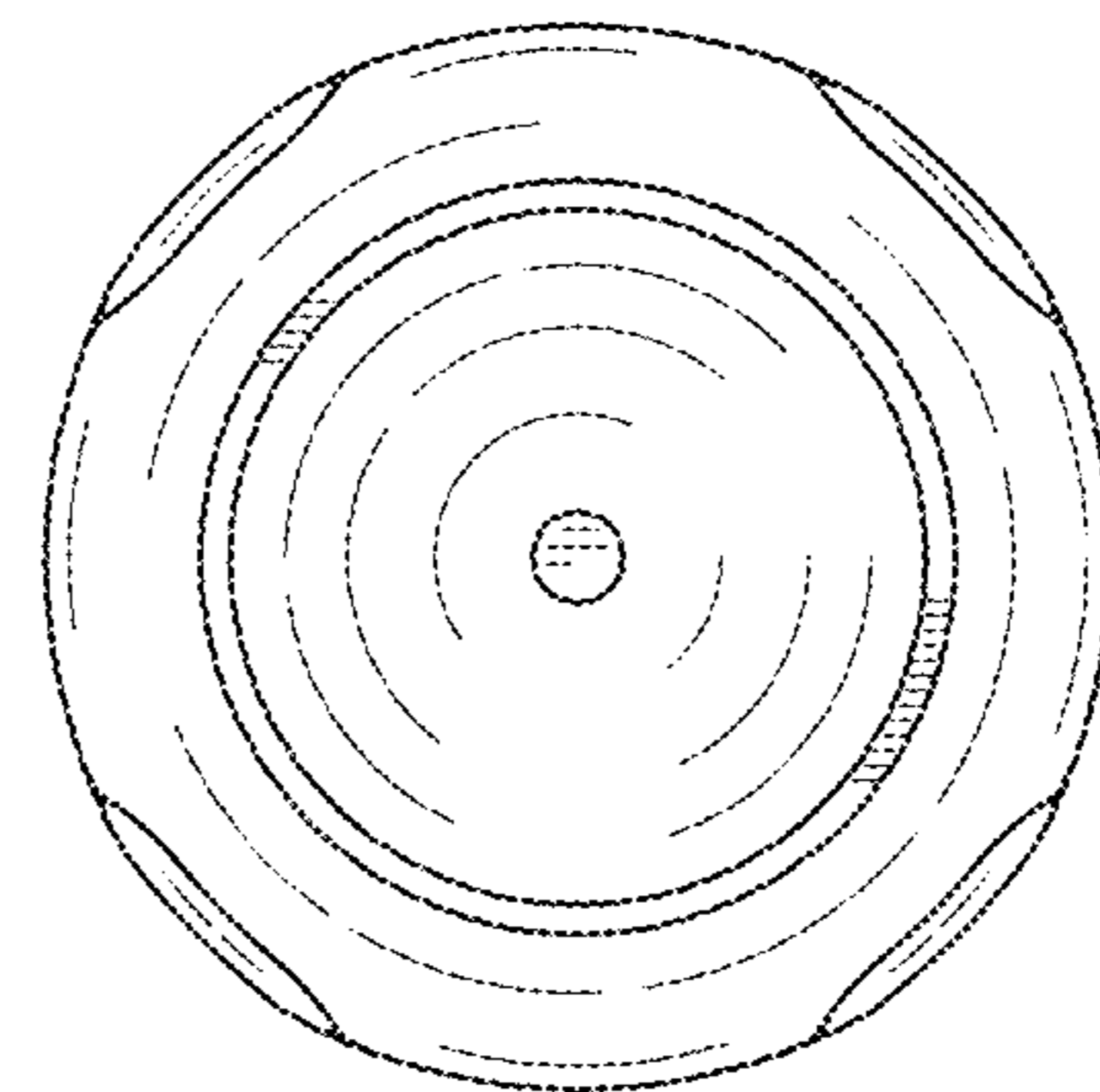


FIG. 16

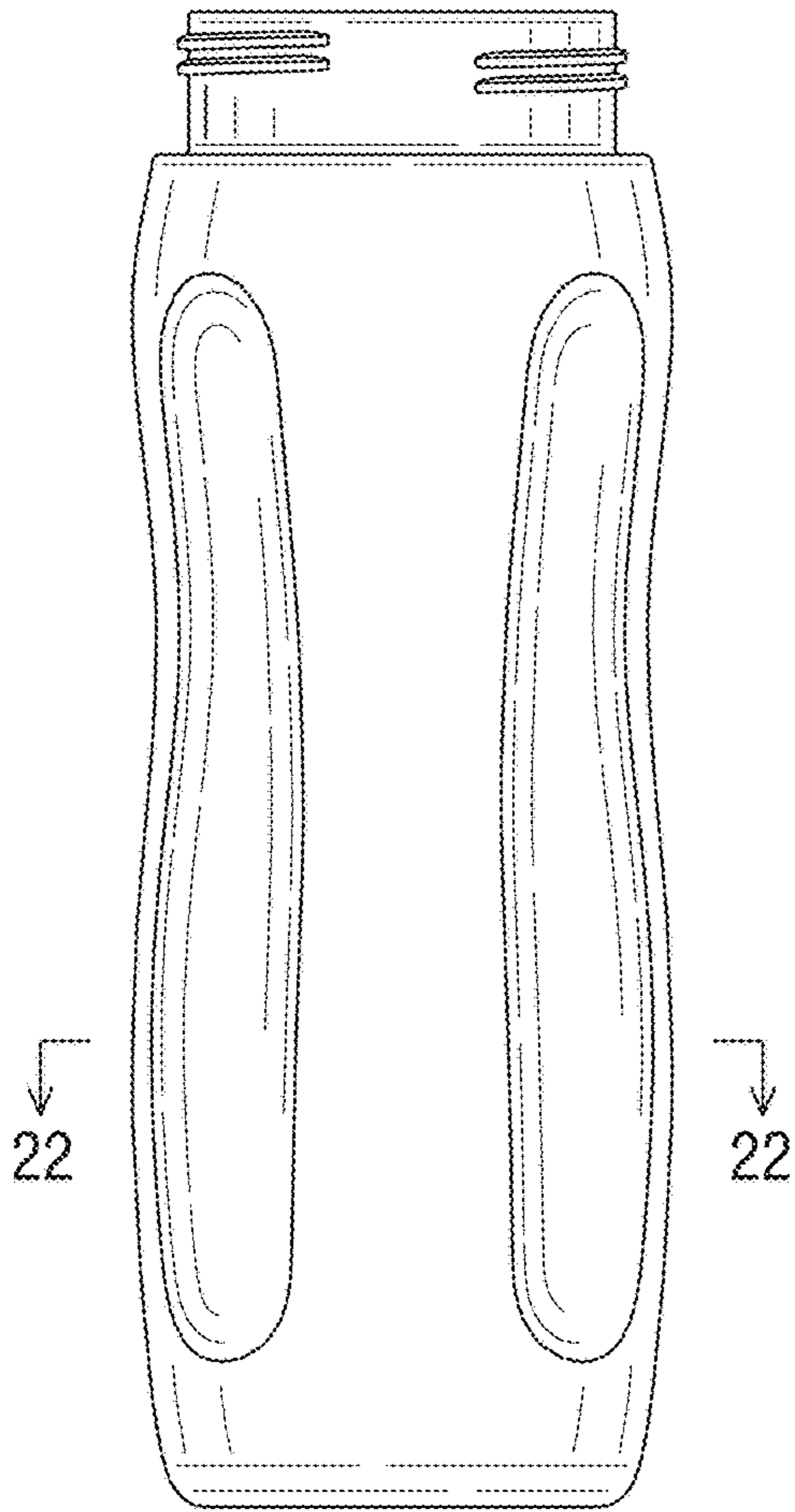


FIG. 17

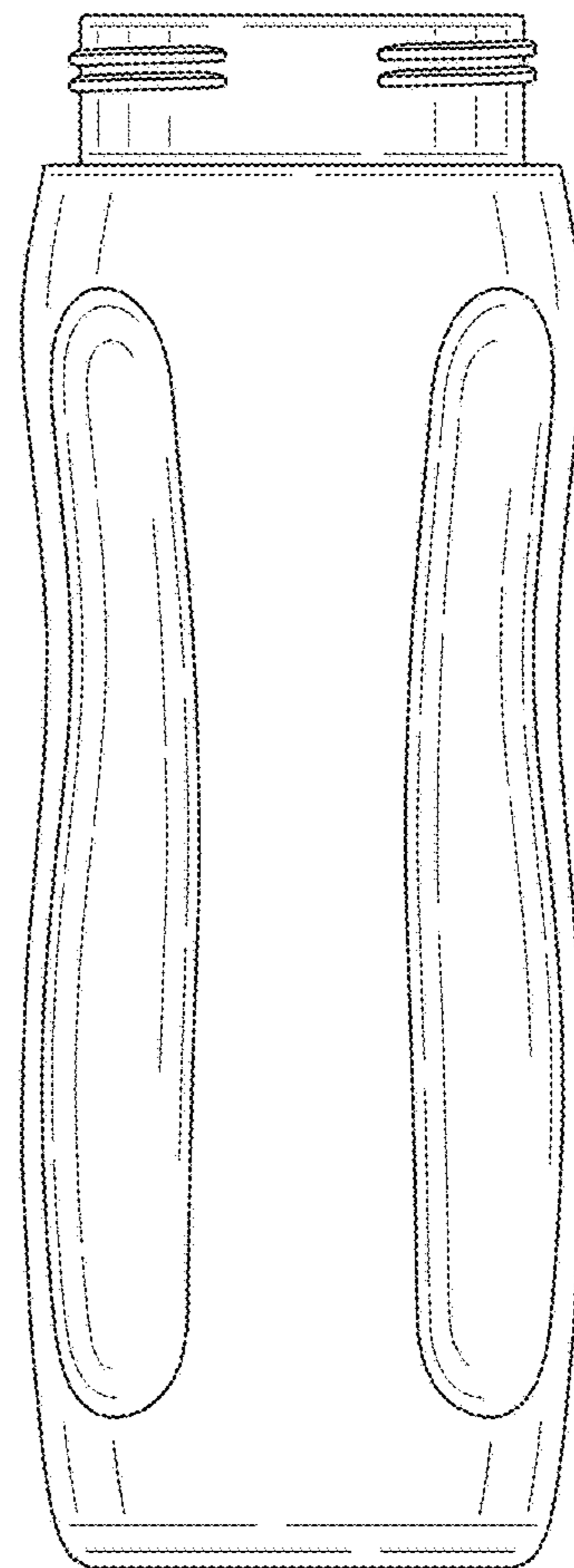


FIG. 18

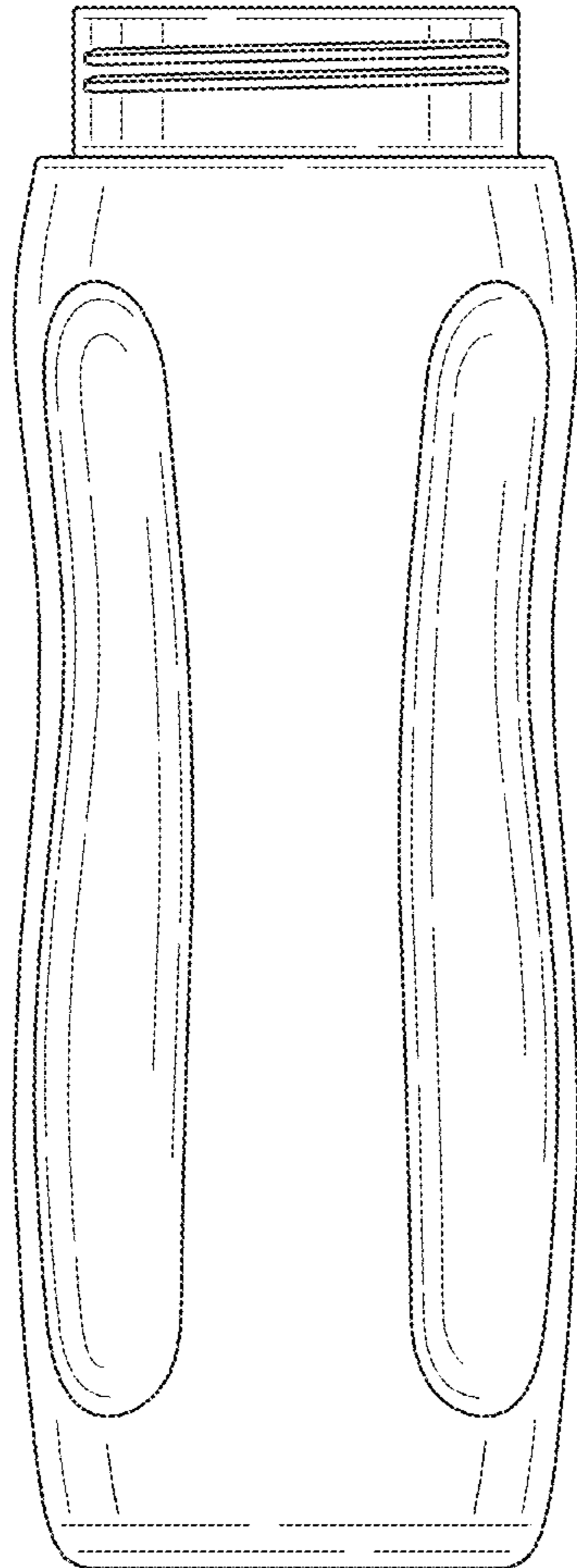


FIG. 19

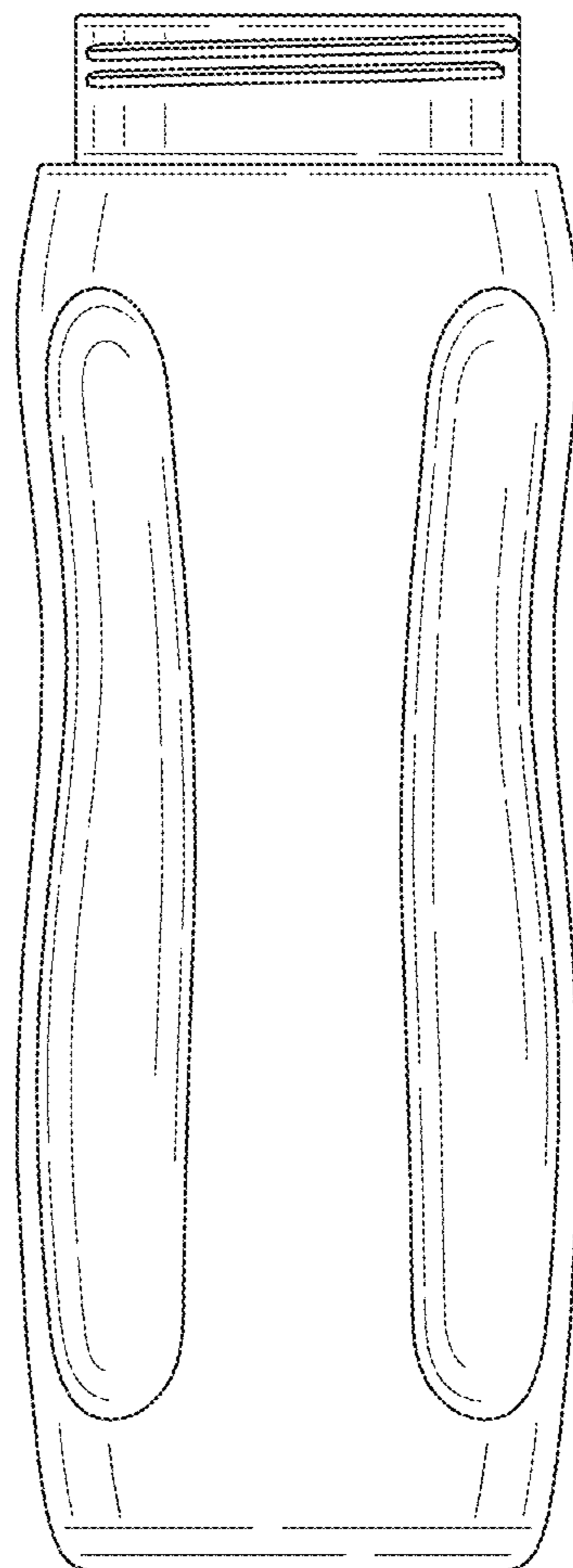


FIG. 20

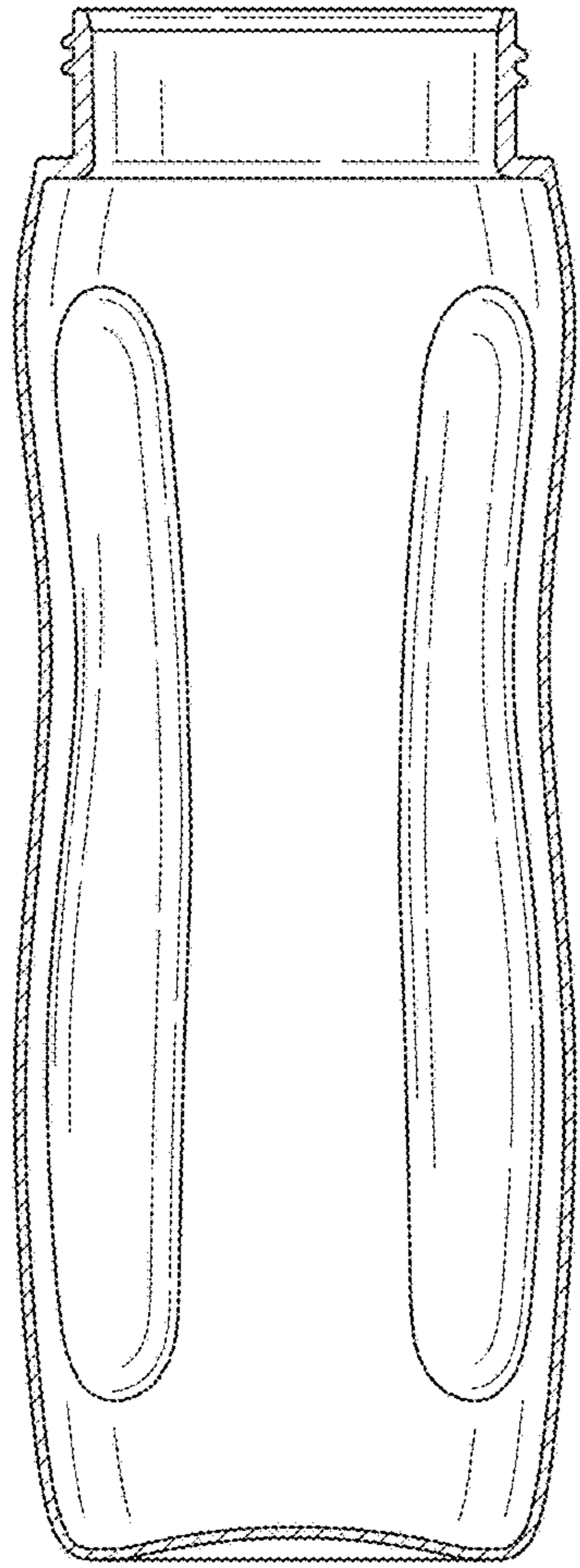


FIG. 21

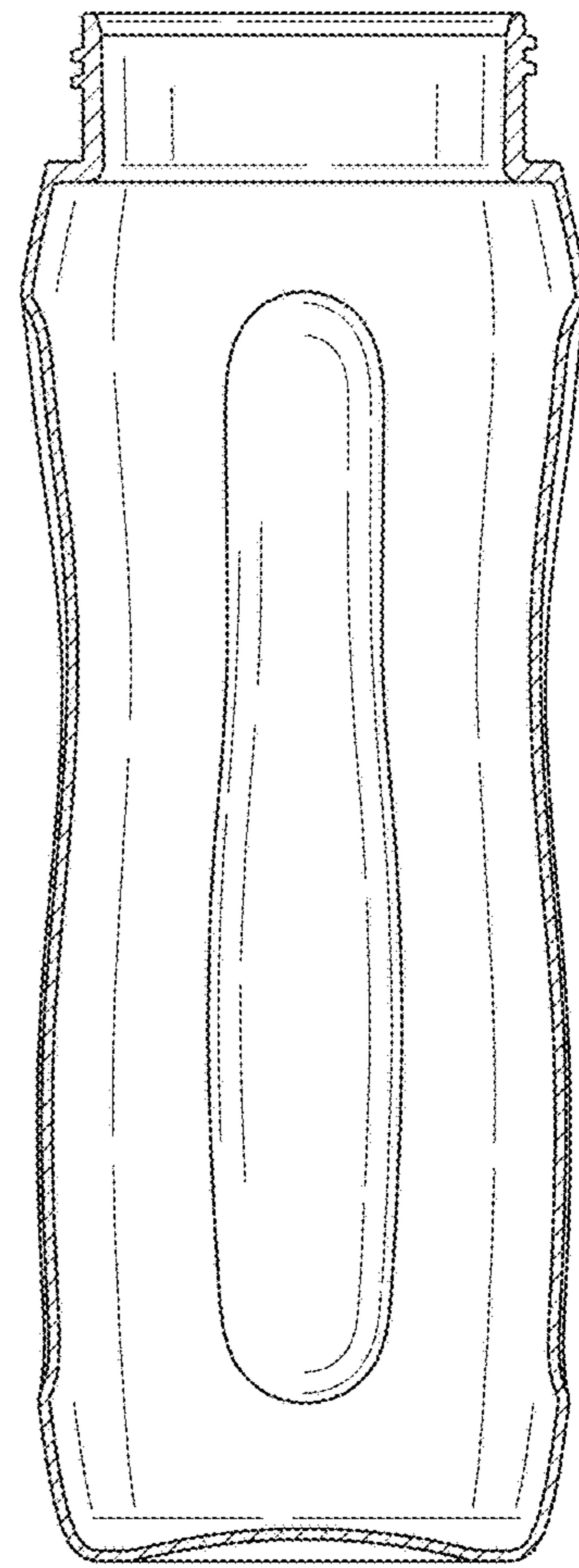


FIG. 22

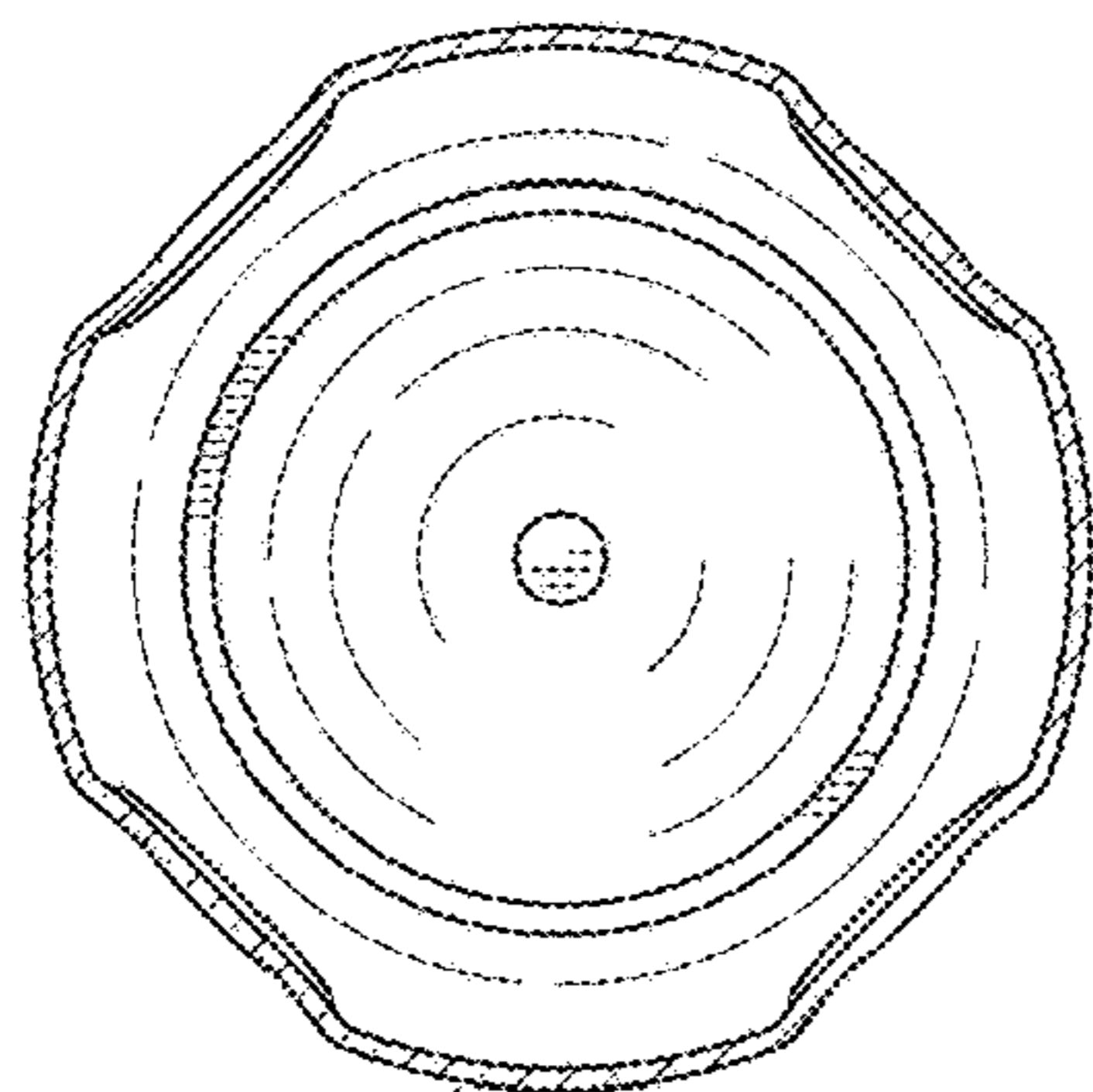


FIG. 23

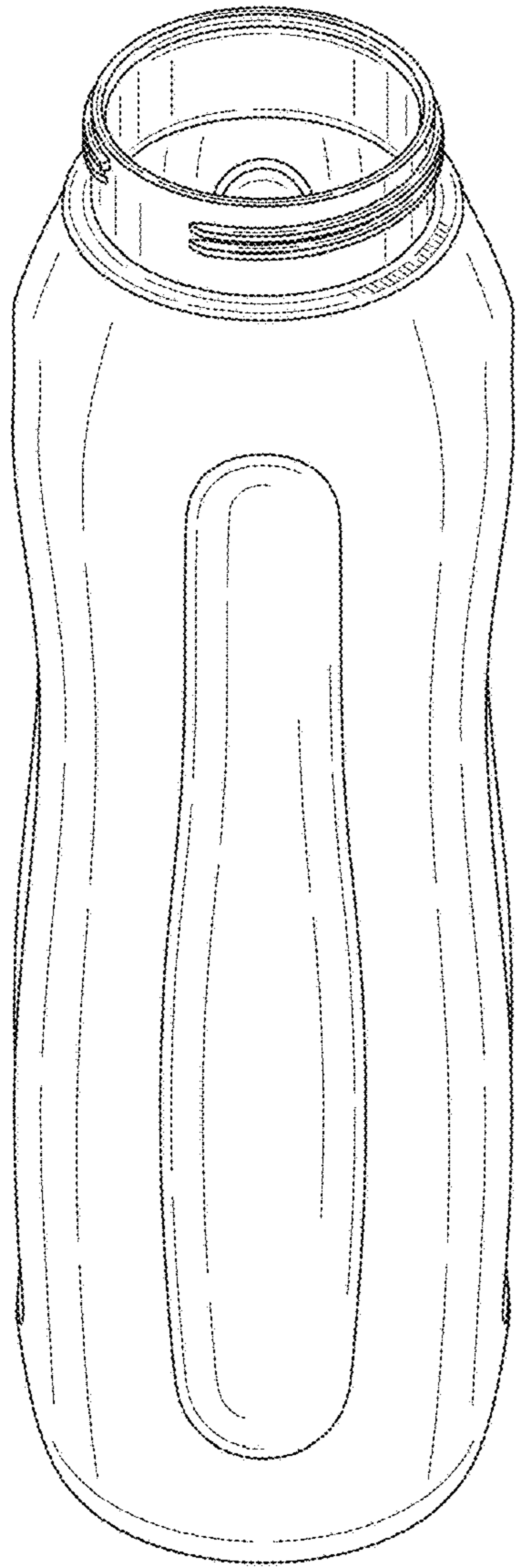


FIG. 24

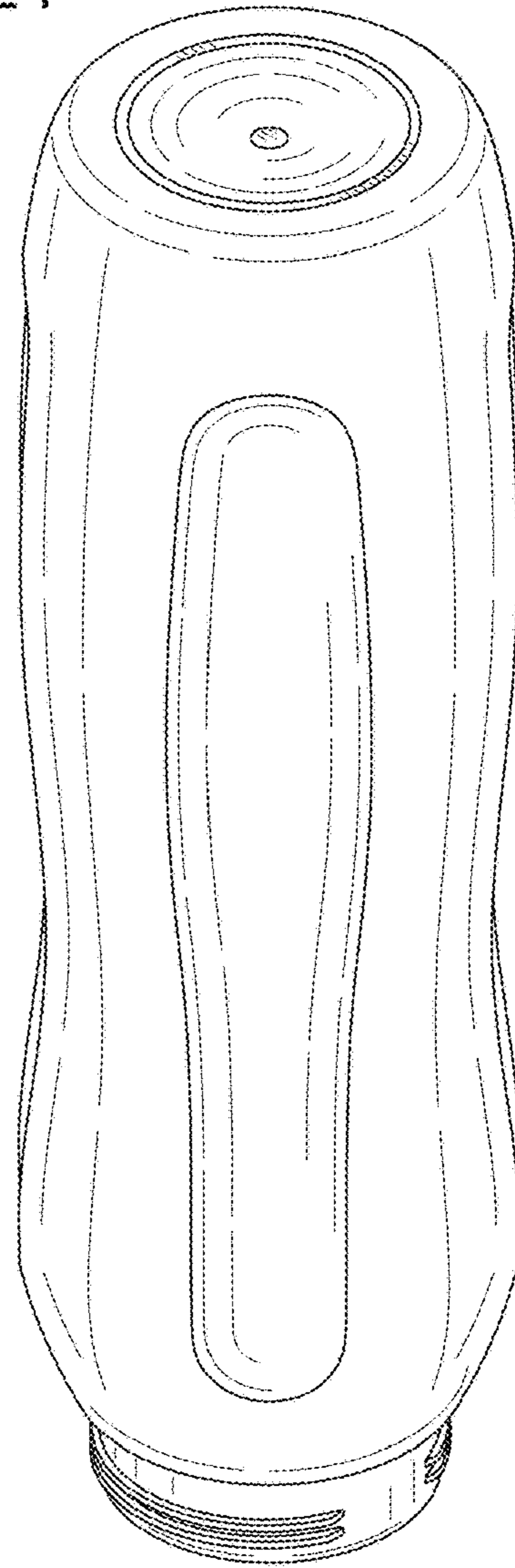
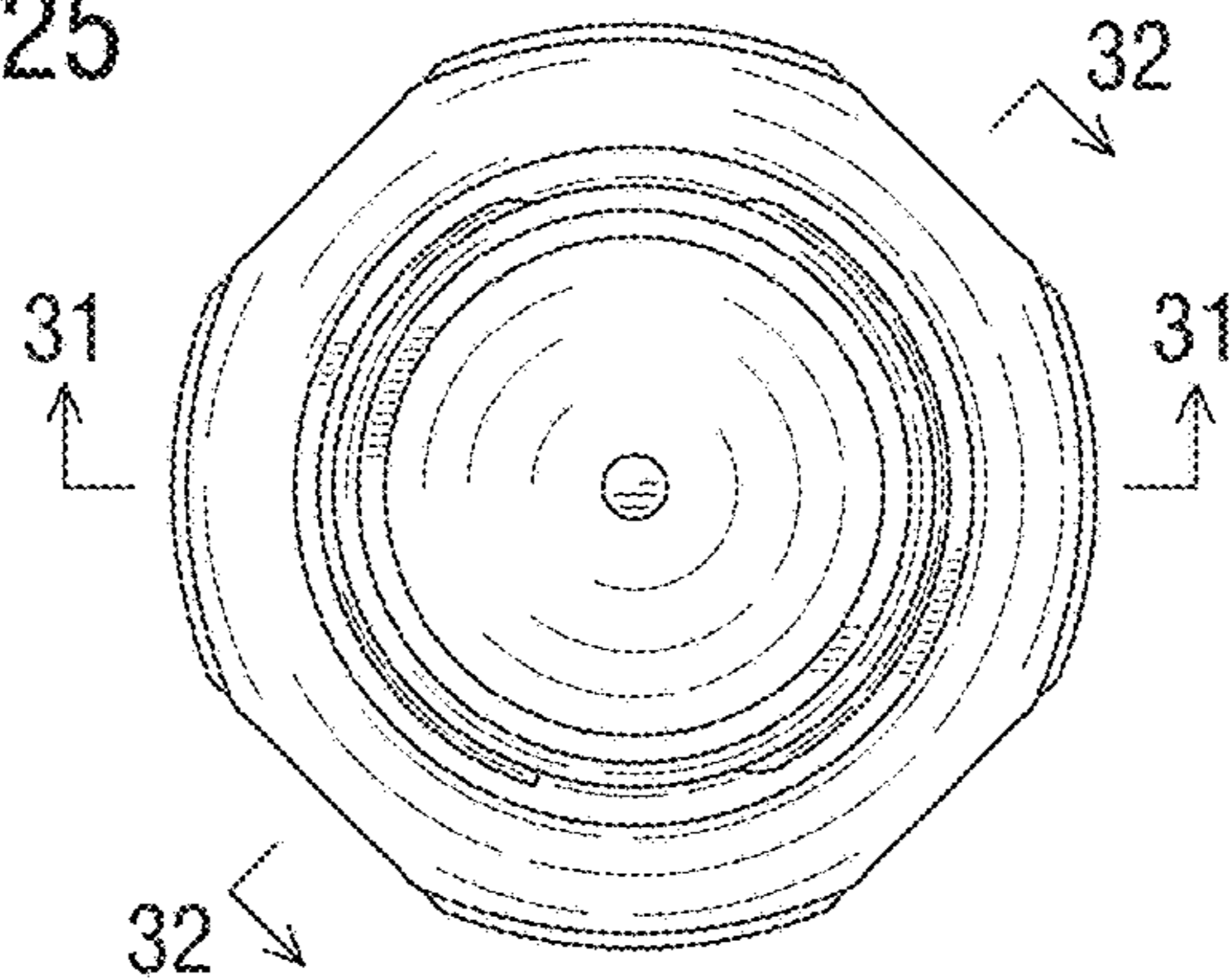


FIG. 25



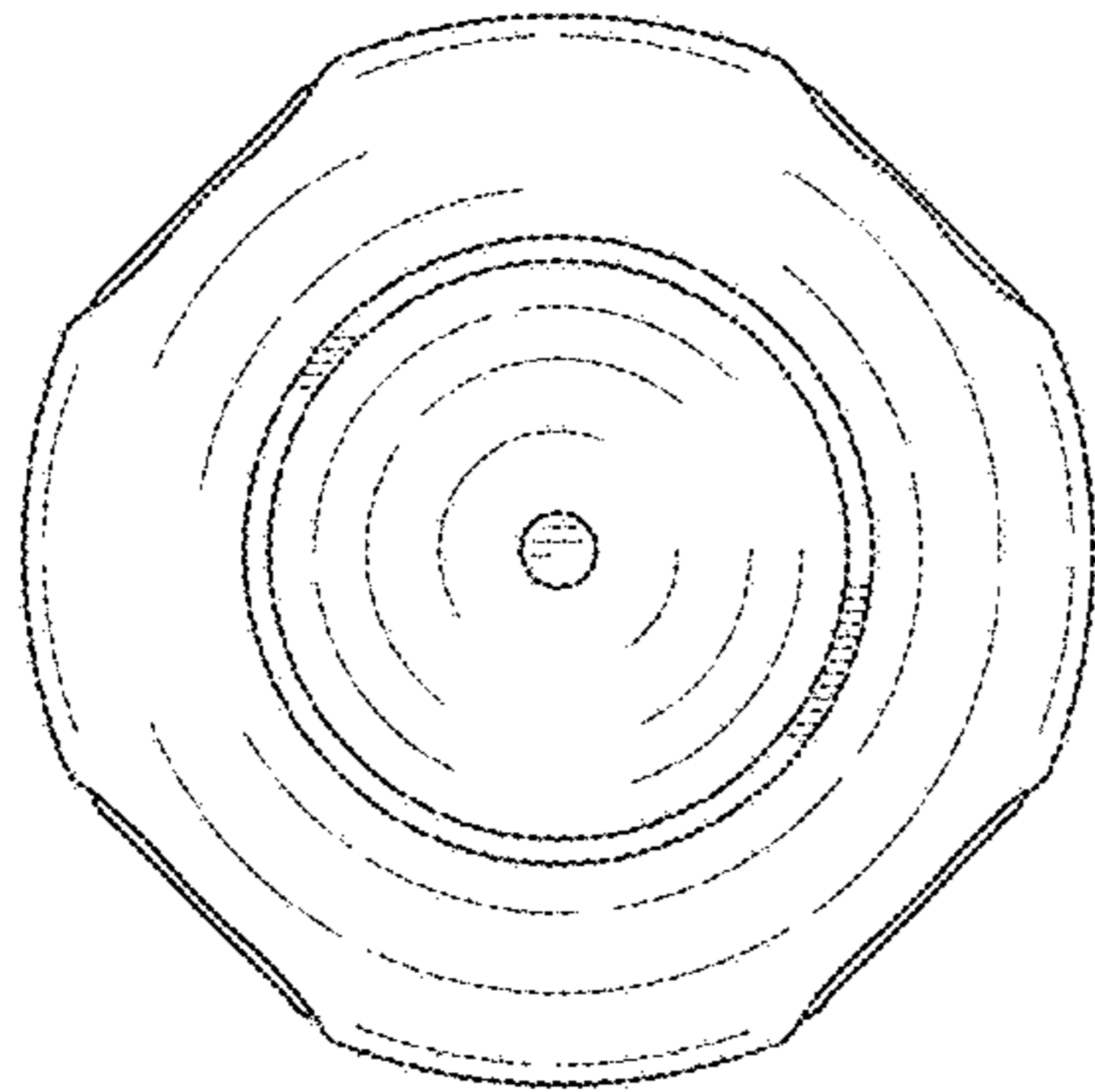


FIG. 26

FIG. 27

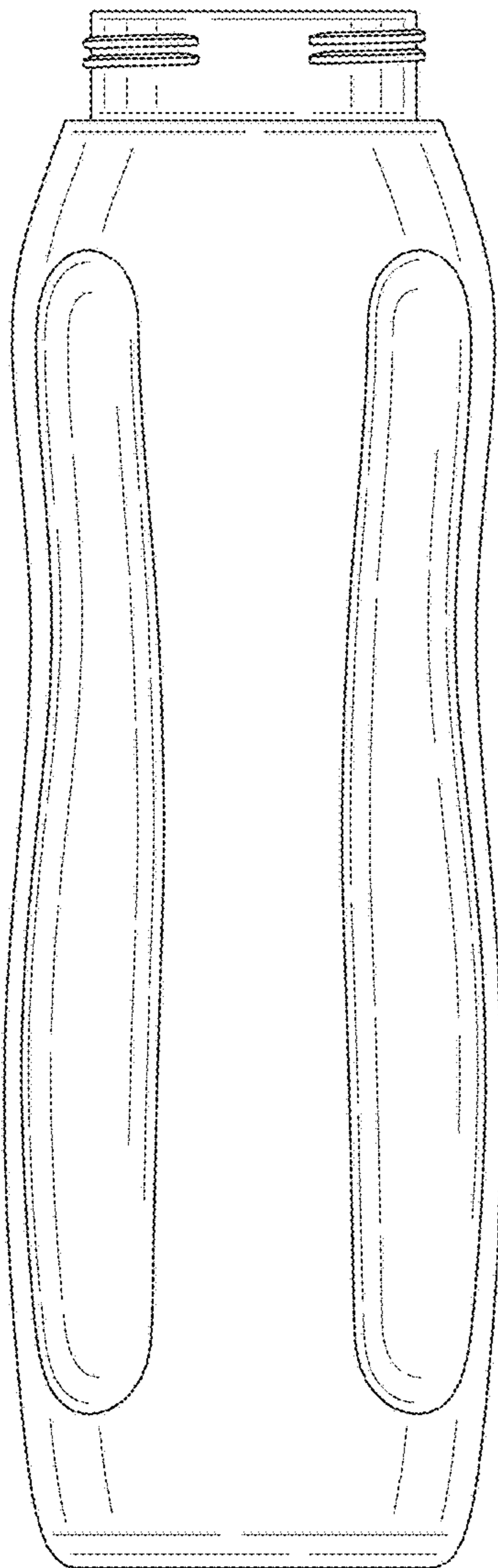
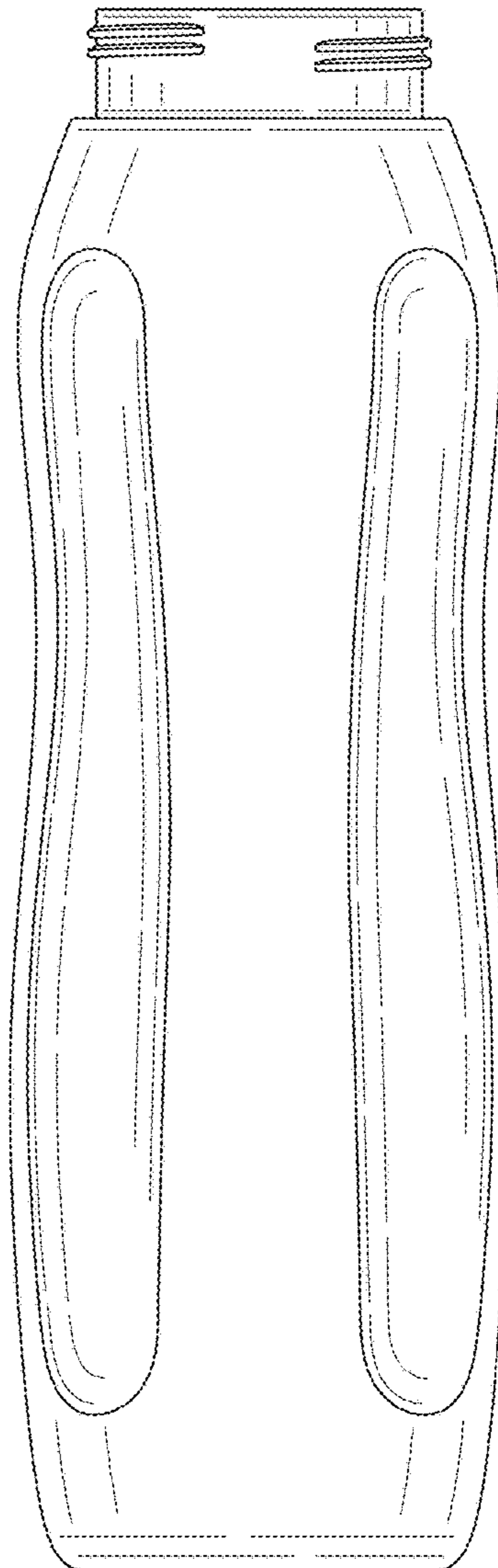


FIG. 28



33

33

FIG. 29

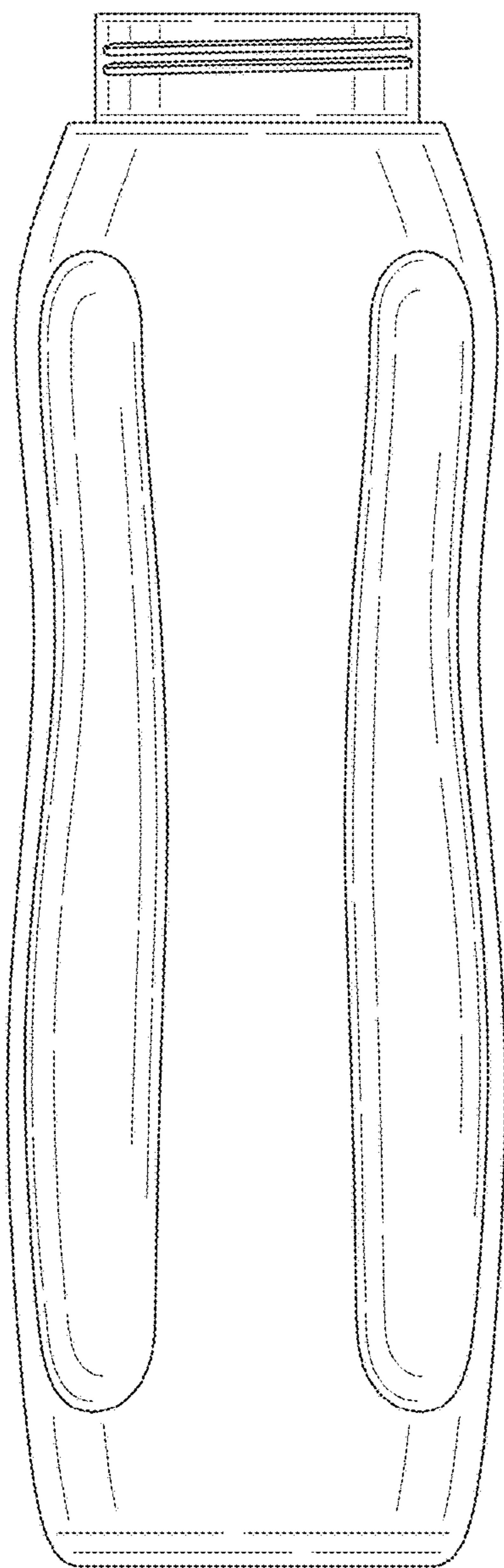


FIG. 30

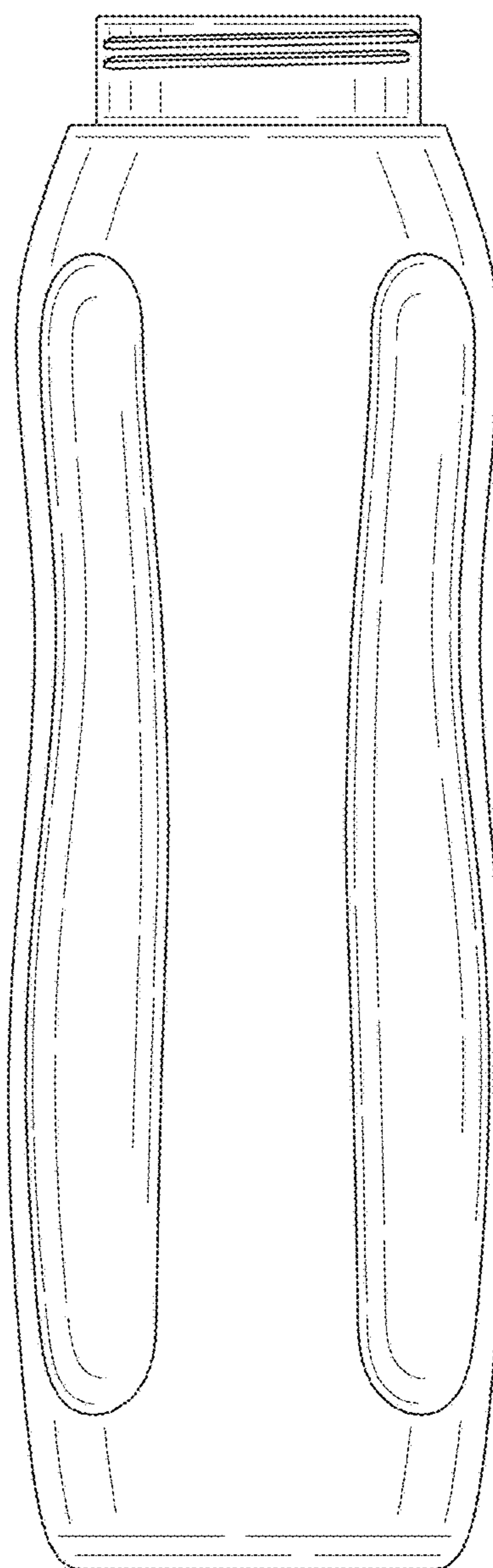


FIG. 31

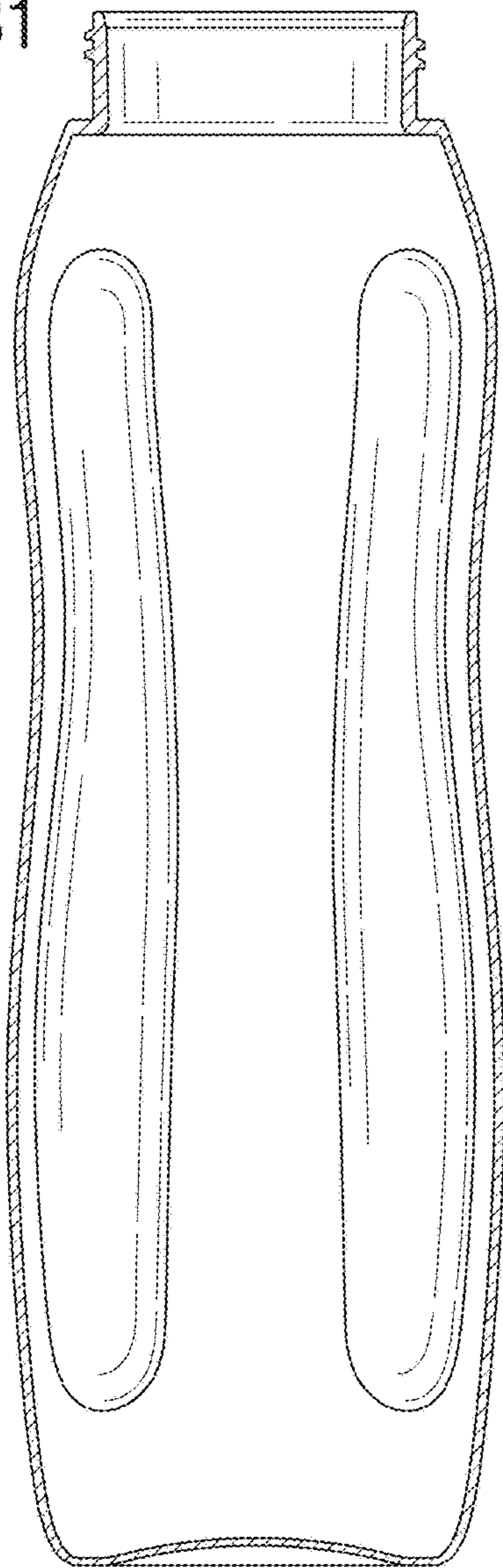


FIG. 32

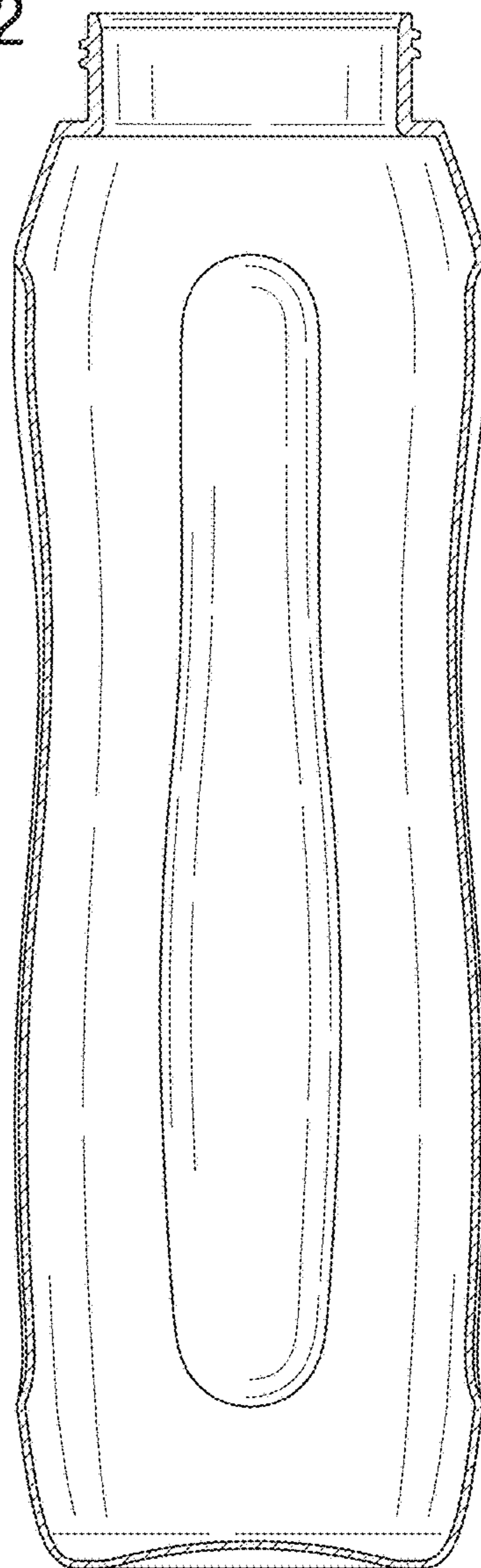
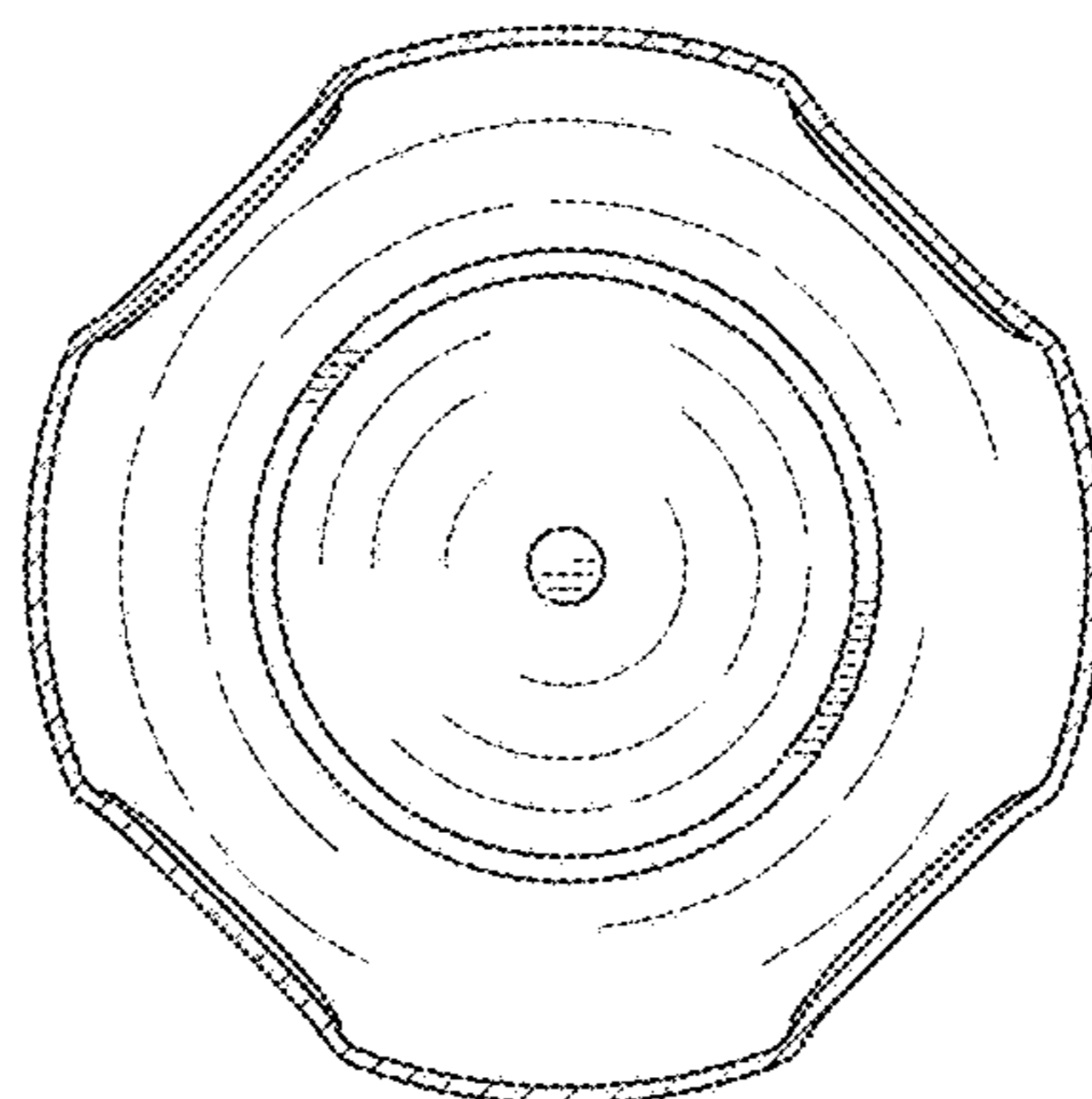


FIG. 33



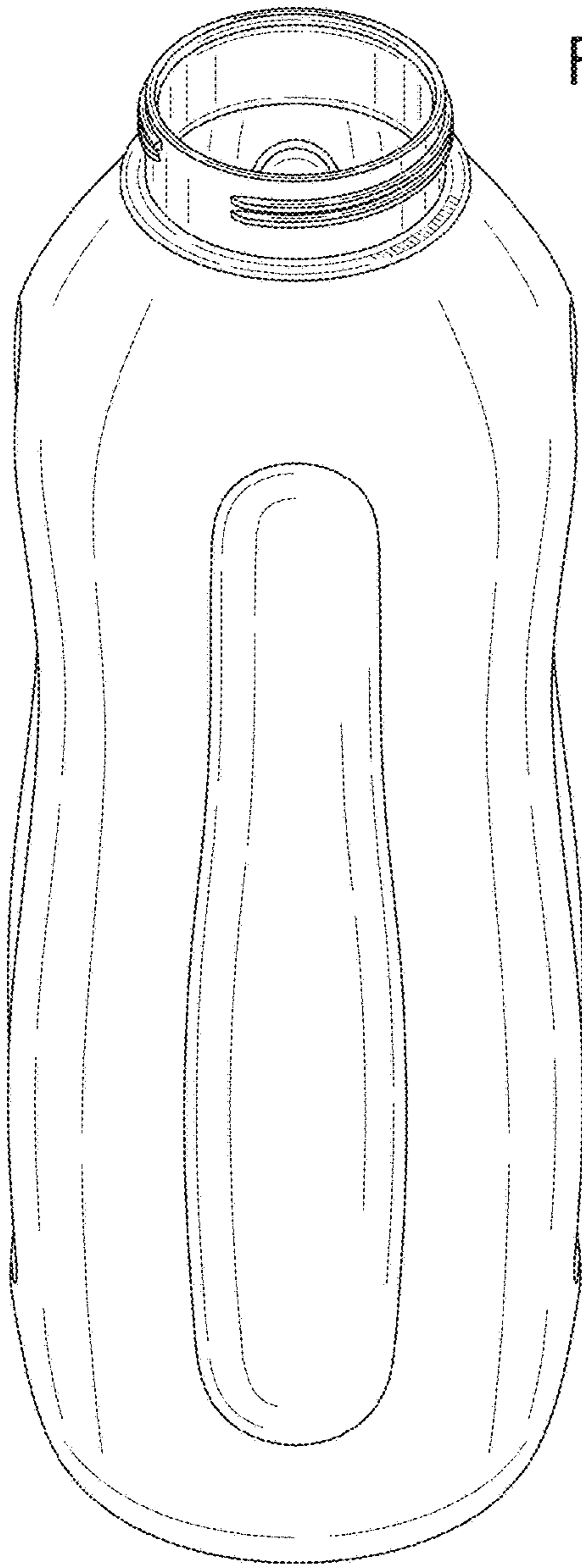


FIG. 34

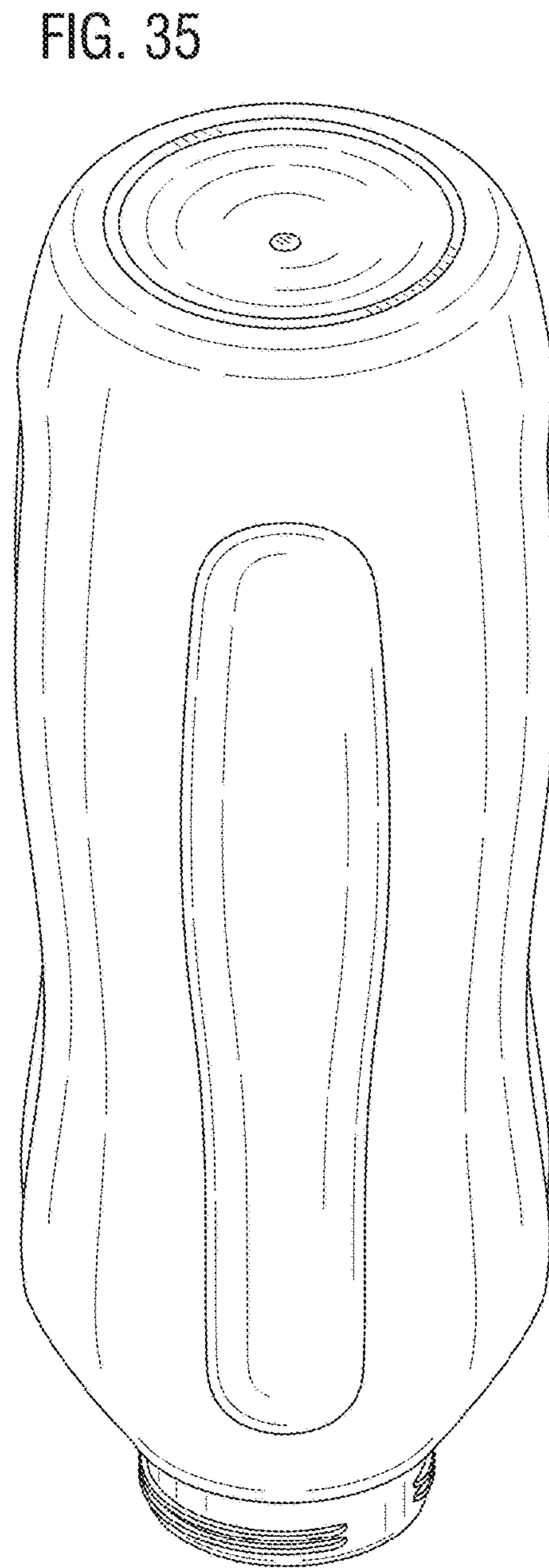


FIG. 35

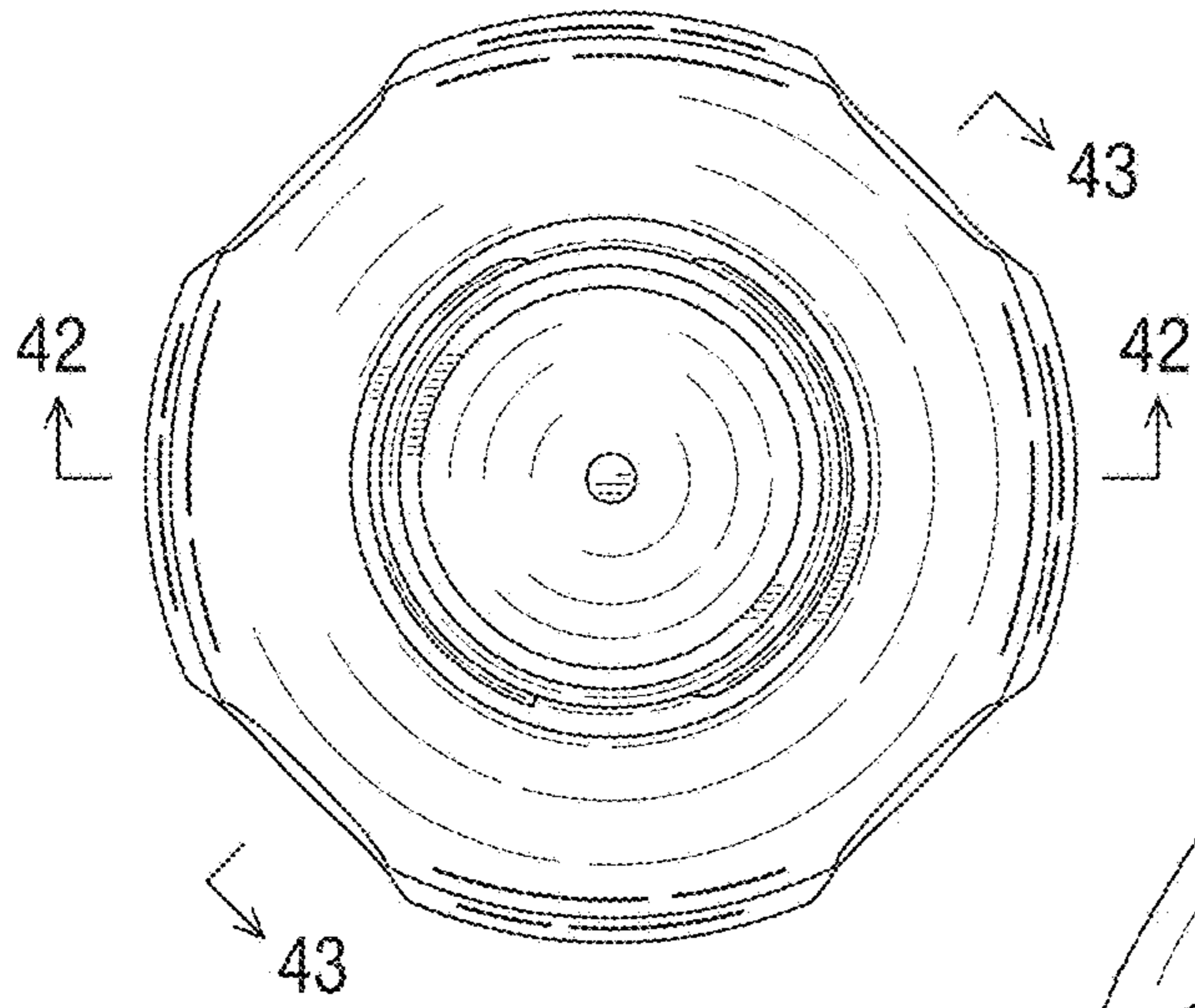
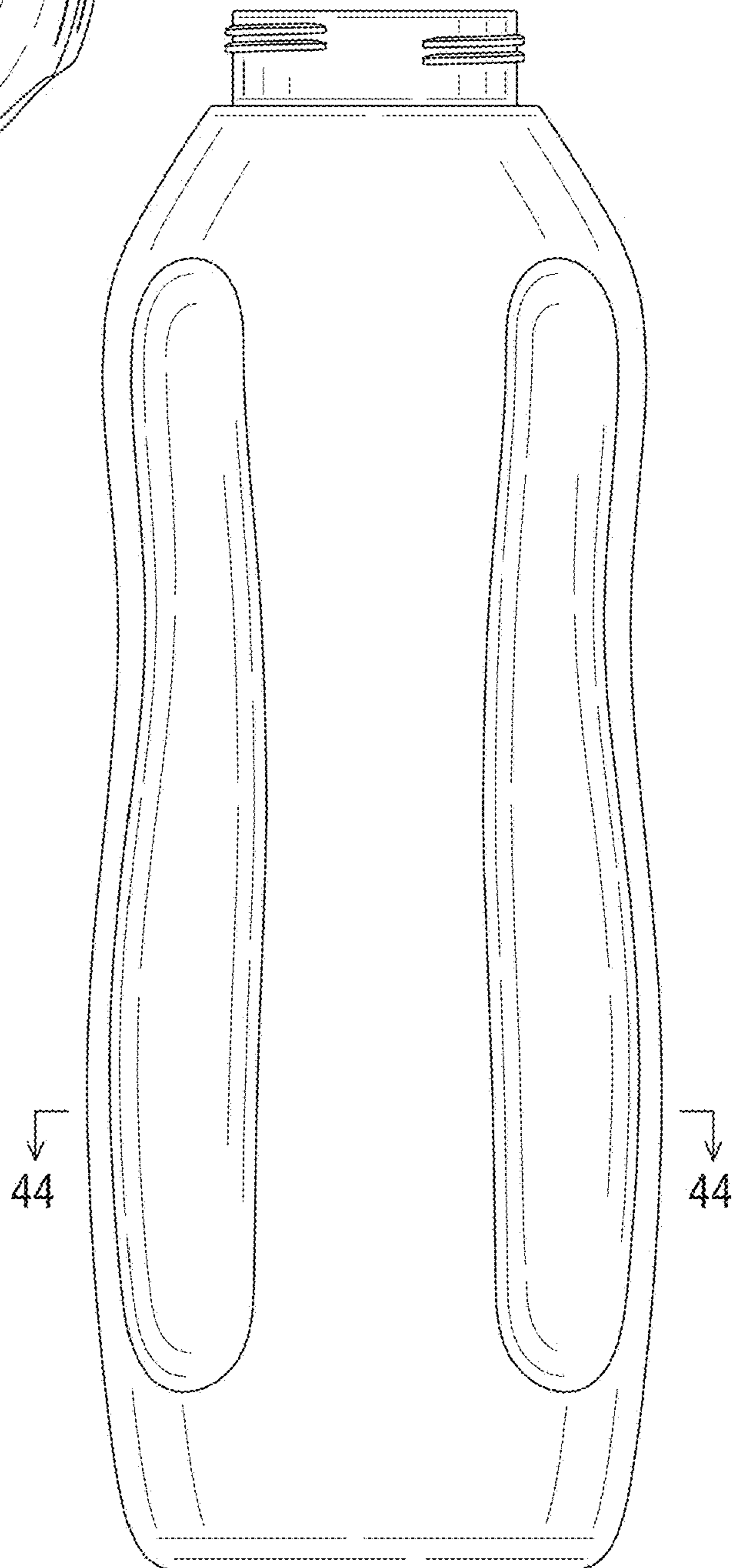


FIG. 36

FIG. 38



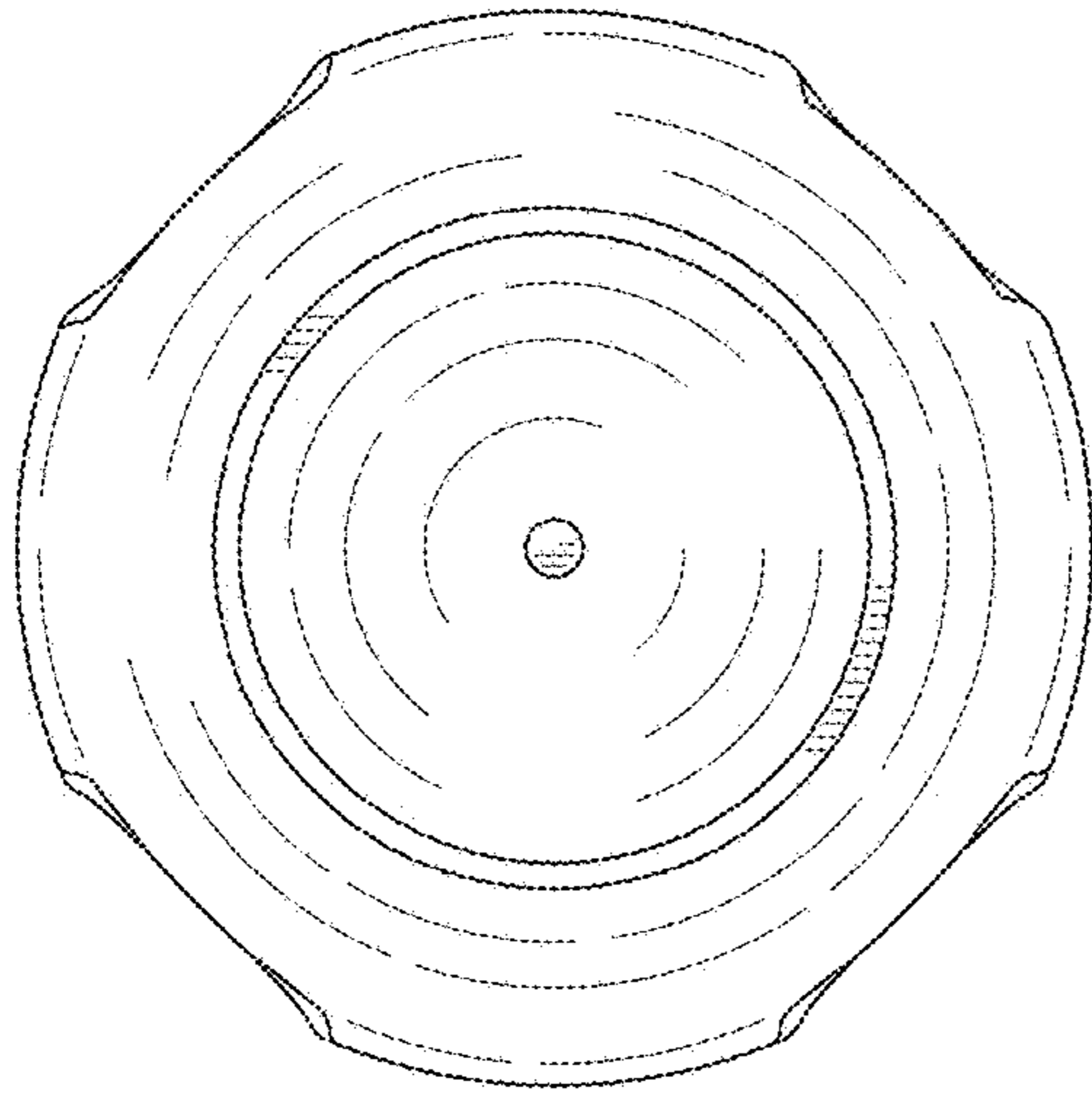
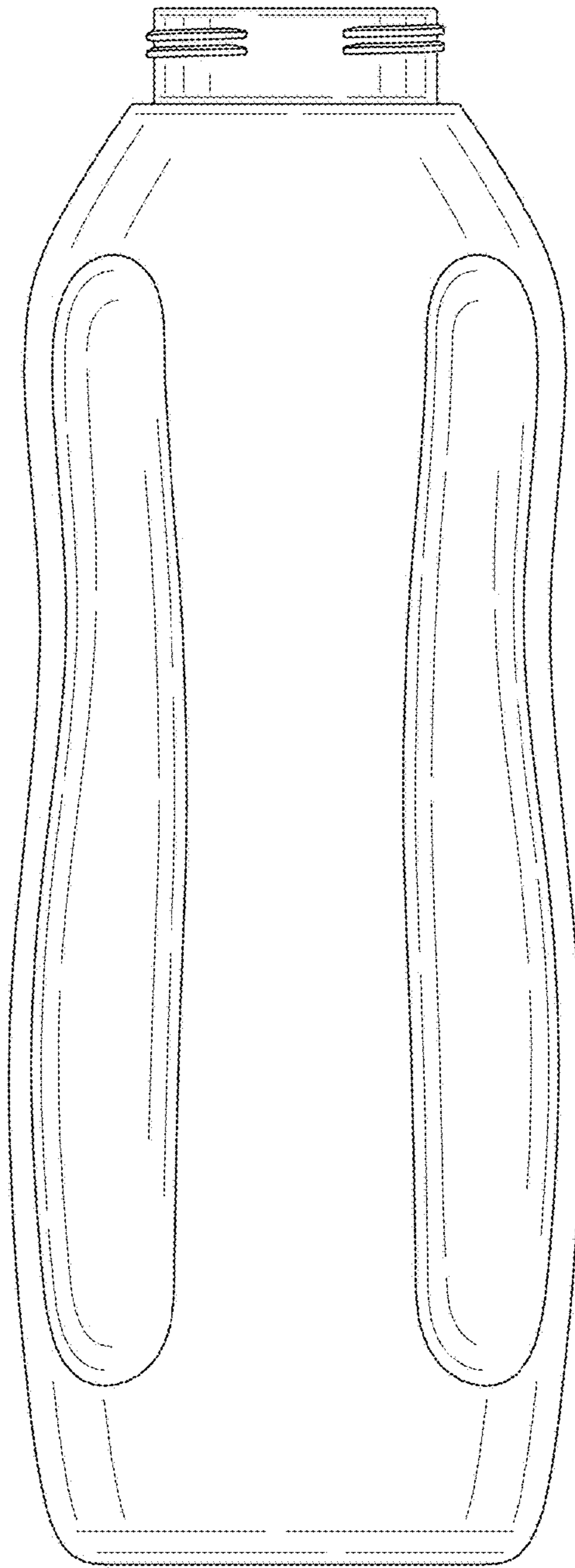


FIG. 37

FIG. 39



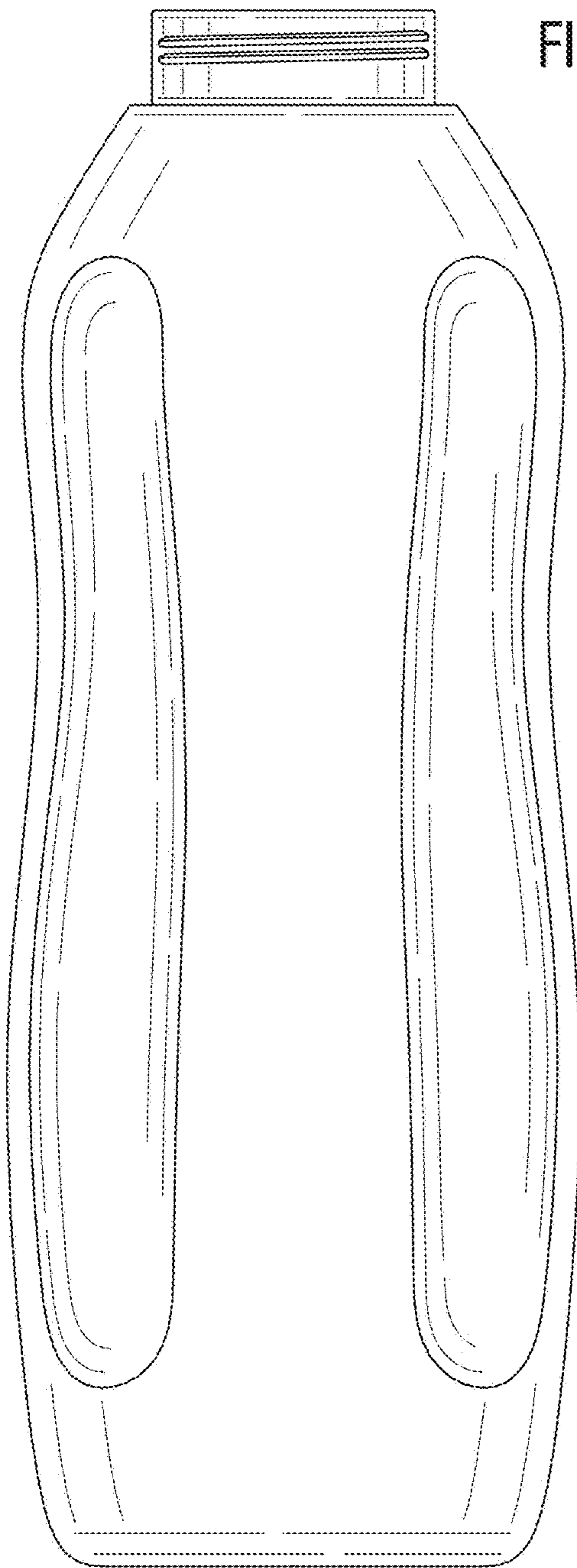


FIG. 40

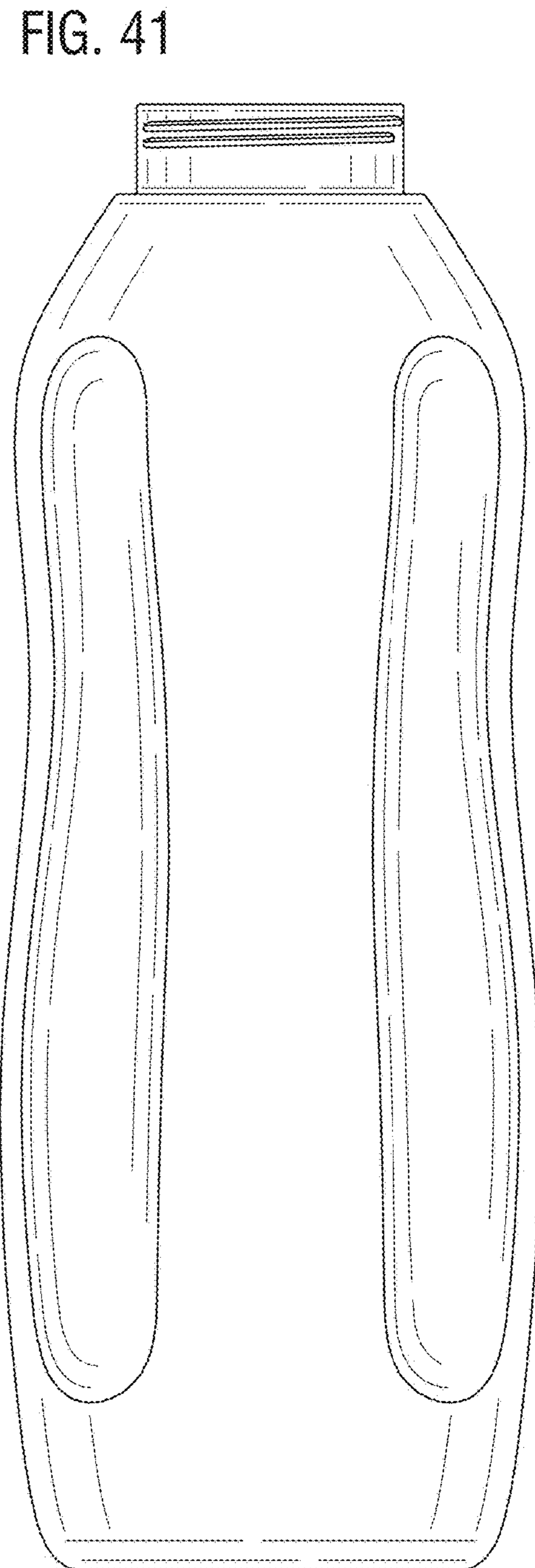
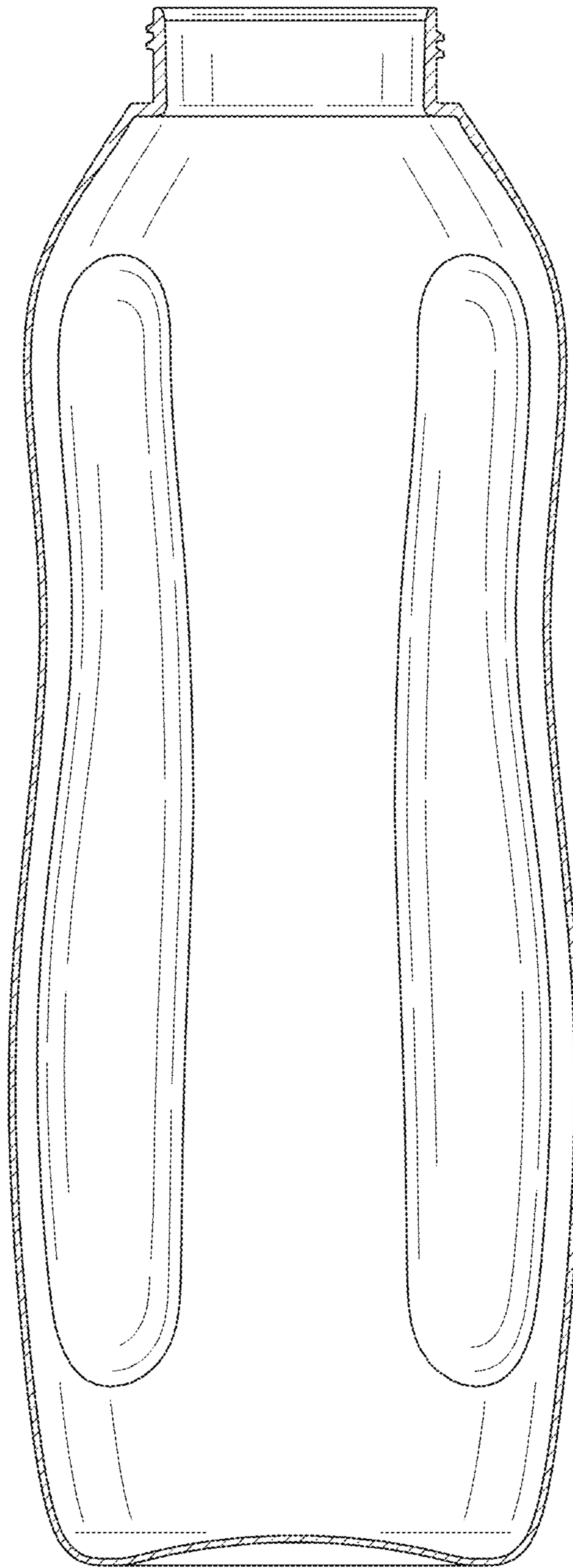


FIG. 41

FIG. 42



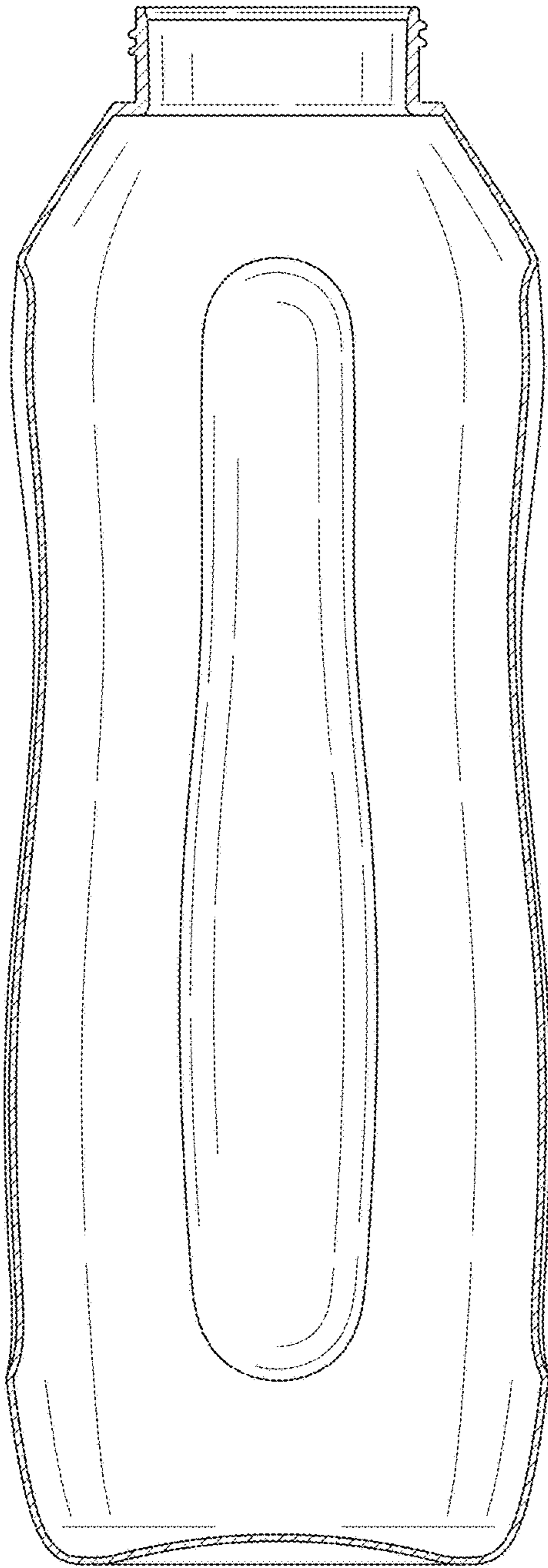


FIG. 43

FIG. 44

