

US00D824762S

(12) **United States Design Patent**
Huang

(10) **Patent No.:** **US D824,762 S**

(45) **Date of Patent:** **** Aug. 7, 2018**

(54) **CAP**

(71) Applicant: **ANHUI JND PLASTIC PACKAGING CO., LTD.**, Huainan (CN)

(72) Inventor: **Yi Xin Huang**, Anhui Province (CN)

(73) Assignee: **ANHUI JND PLASTIC PACKAGING CO., LTD.**, Huainan (CN)

(**) Term: **15 Years**

(21) Appl. No.: **29/598,152**

(22) Filed: **Mar. 23, 2017**

(51) **LOC (11) Cl.** **09-07**

(52) **U.S. Cl.**
USPC **D9/447**

(58) **Field of Classification Search**
USPC D3/27, 29, 202, 318; D7/300, 300.1, D7/313, 314, 316, 387, 393, 396.1, 396.2, D7/396, 397, 398, 401.1, 509, 510, 511, D7/523, 525, 526, 527, 528, 538, 536, D7/602, 619.1, 900; D9/414-435, 447, D9/452-457, 499, 682, 685, 686, 688, D9/690, 723, 724, 763, 772; D19/34.1, D19/162, 163, 164, 165, 192, 194; D23/249, 155, 257, 259, 260, 261, 262, D23/263; D24/111, 112, 121, 127, 224; D28/76, 78, 82

CPC B65D 39/00; B65D 39/0047; B65D 39/0005; B65D 39/02; B65D 39/08; B65D 39/14; B65D 39/19; B65D 25/00; B65D 25/40; B65D 25/42; B65D 25/46; B65D 25/48; B65D 25/77; B65D 41/00; B65D 41/16; B65D 41/17; B65D 41/26; B65D 41/32; B65D 41/48; B65D 41/485; B65D 41/045; B65D 41/0483; B65D 41/0421; B65D 41/0485; B65D 41/3428; B65D 41/0492; B65D 41/0471; B65D 41/0428; B65D 41/0414; B65D 41/026; B65D 41/023; B65D 41/003;

B65D 41/02; B65D 41/005; B65D 43/02; B65D 43/14; B65D 43/16; B65D 43/26; B65D 43/0202; B65D 51/02; B65D 51/04; B65D 51/18; B65D
(Continued)

(56) **References Cited**

U.S. PATENT DOCUMENTS

D26,539 S * 1/1897 Schram D9/447
D159,797 S * 8/1950 Gessler D9/436
(Continued)

OTHER PUBLICATIONS

Exacto Pourer: Announced May 28, 2014 [online]. Site Visited Nov. 21, 2017. Available from Internet URL: <http://www.drinkstuff.com/products/product.asp?ID=7>.*

Primary Examiner — Jennifer Rivard
Assistant Examiner — Catherine S Posthauer
(74) *Attorney, Agent, or Firm* — Gokalp Bayramoglu

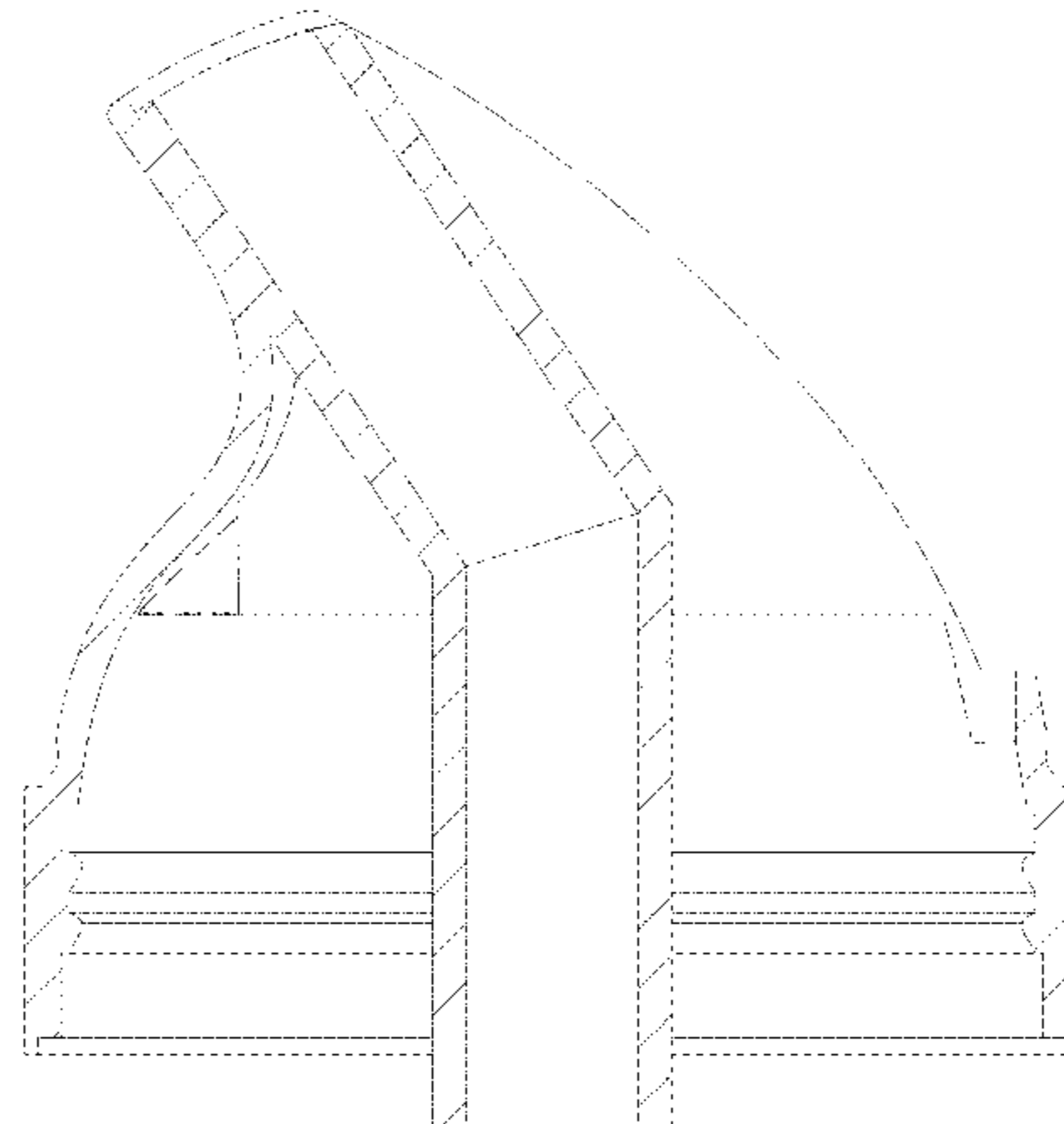
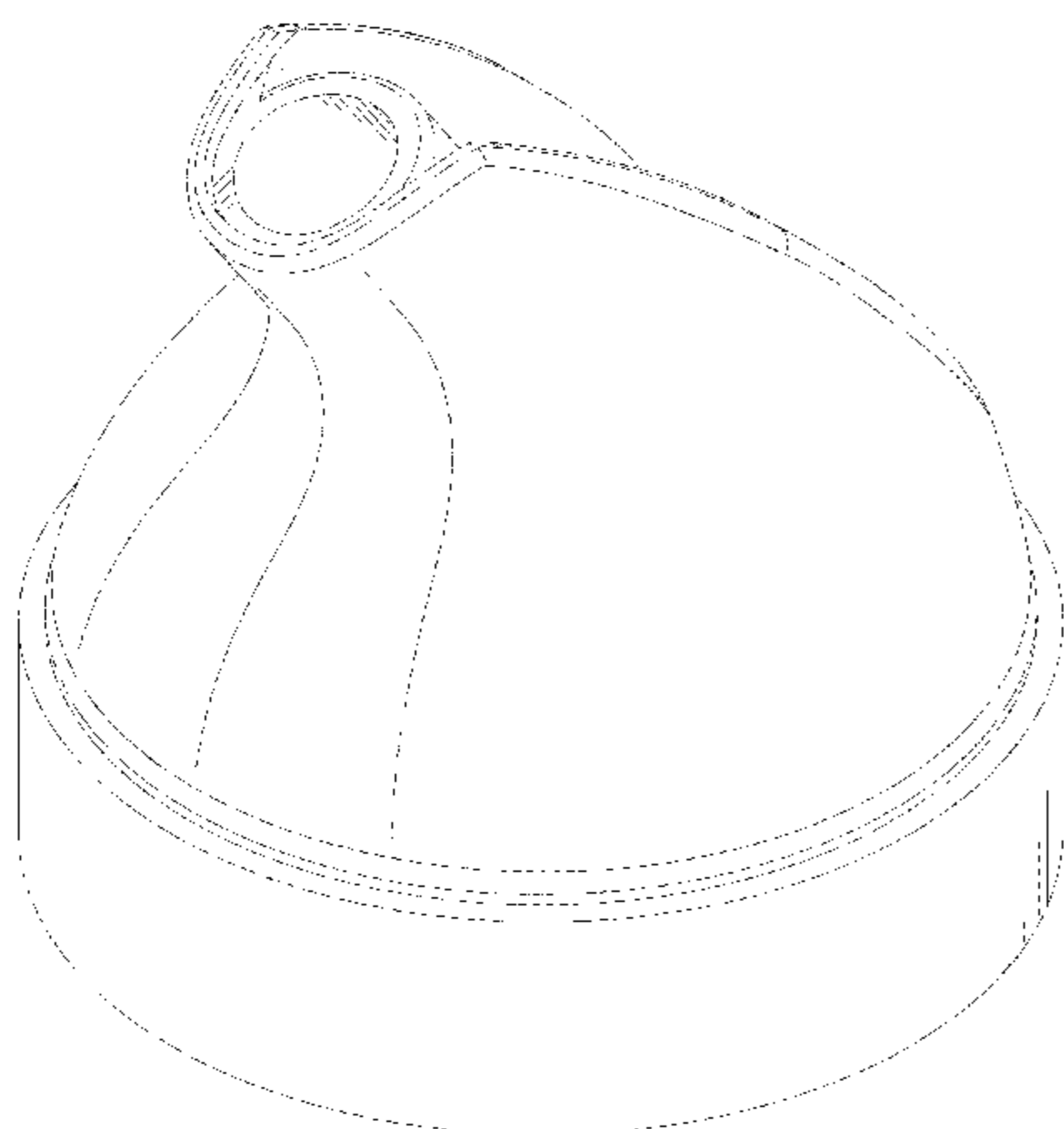
(57) **CLAIM**

The ornamental design for a cap, as shown and described.

DESCRIPTION

FIG. 1 is a top front right perspective view of a cap showing my new design;
FIG. 2 is a front elevational view thereof;
FIG. 3 is a rear elevational view thereof;
FIG. 4 is a left side elevation view thereof;
FIG. 5 is a right side elevation view thereof;
FIG. 6 is a top plan view thereof;
FIG. 7 is a bottom plan view thereof;
FIG. 8 is a top left rear perspective view of the cap; and,
FIG. 9 is a cross-sectional view of the cap, taken in the direction of line 9-9 on FIG. 6.
The broken lines illustrate portions of the cap and form no part of the claimed design.

1 Claim, 9 Drawing Sheets



(58) **Field of Classification Search**

CPC .. 51/28; B65D 51/242; B65D 51/2821; B65D 51/2814; B65D 23/08; B65D 83/40; B65D 83/205; B65D 83/206; B65D 83/345; B65D 2255/00; B65D 21/0288; B65D 47/36; B65D 47/148; B65D 47/265; B65D 47/0895; B65D 50/00; B65D 50/041; B65D 53/00; B65D 53/02; B65D 53/04; B65D 55/02; B65D 55/024; B65D 2251/0018; B65D 2251/0081; B65D 2251/0026; B65D 2251/009; B65D 1/02; B65D 45/00; A45D 34/00; B05B 11/3097; A47J 43/27; A47J 36/10; A47J 36/14; A47J 36/06; A47G 19/22; A47G 19/2205; A47G 19/2222; A47G 19/2266; A47G 19/2272; A47G 19/2294; A61J 2205/50

See application file for complete search history.

(56) **References Cited**

U.S. PATENT DOCUMENTS

D193,956 S * 10/1962 Yonkers D23/363
 3,159,314 A * 12/1964 De Lucca A47J 47/01
 222/183
 D234,123 S * 1/1975 Ragagli D7/700
 D241,125 S * 8/1976 Knapp D9/447
 5,050,758 A * 9/1991 Freeman A47G 19/2272
 220/254.3
 D398,233 S * 9/1998 Wood D9/447
 D398,813 S * 9/1998 Franzese D7/396.1

5,871,118 A * 2/1999 Franzese A47G 19/2272
 220/713
 D420,287 S * 2/2000 Coppola D9/447
 D481,632 S * 11/2003 Masotta D9/435
 D641,625 S * 7/2011 Kaplan D9/447
 D675,939 S * 2/2013 Van Gogh D9/540
 D683,189 S * 5/2013 Thomas D7/510
 D712,741 S * 9/2014 Vukelic D9/435
 D717,107 S * 11/2014 Dunn D7/396.2
 8,887,968 B1 * 11/2014 Call B65D 47/06
 215/11.1
 D721,914 S * 2/2015 Hakim D7/396.2
 D747,973 S * 1/2016 Kerr D9/526
 D748,475 S * 2/2016 Hunter D9/444
 D749,949 S * 2/2016 Bruining D9/447
 D755,629 S * 5/2016 Marraccini D9/447
 D755,630 S * 5/2016 Marraccini D9/447
 D757,494 S * 5/2016 Parker D7/510
 D757,544 S * 5/2016 Barenhoff D9/434
 9,375,538 B2 * 6/2016 Greiner-Perth A61M 15/009
 D768,503 S * 10/2016 Kerr D9/526
 D772,073 S * 11/2016 Kerr D9/526
 2004/0262916 A1 * 12/2004 Byron A01M 7/0064
 285/276
 2009/0050650 A1 * 2/2009 Walters B65D 83/205
 222/153.11
 2009/0178997 A1 * 7/2009 Clark B65D 1/0223
 215/384
 2010/0127005 A1 * 5/2010 Sanbrook A47G 19/2266
 220/705
 2015/0014368 A1 * 1/2015 Greiner-Perth A61M 15/009
 222/402.13
 2015/0313389 A1 * 11/2015 Velasquez A45F 3/20
 220/8
 2017/0066567 A1 * 3/2017 Chen A47G 19/22
 * cited by examiner

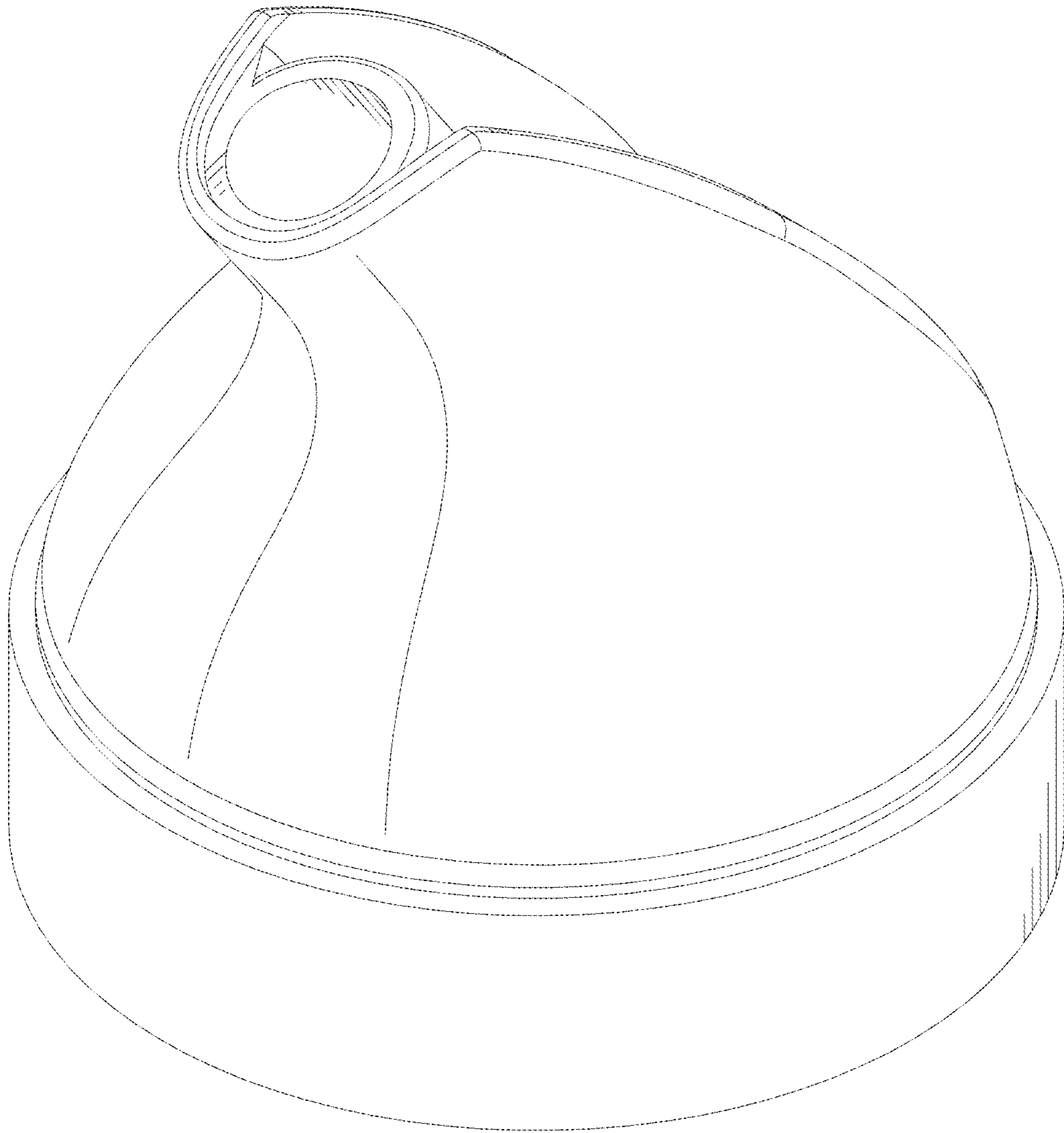


FIG. 1

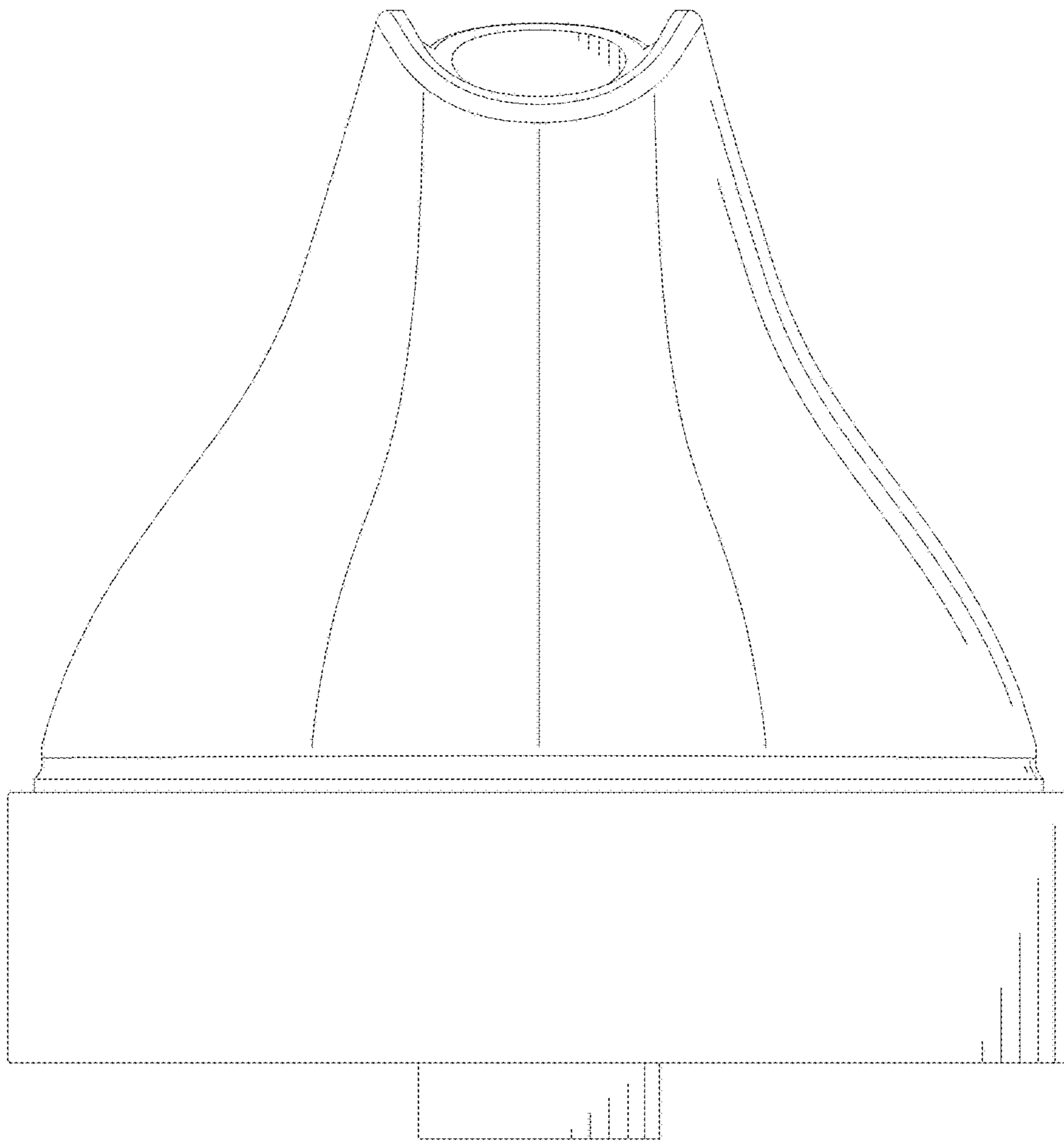


FIG. 2

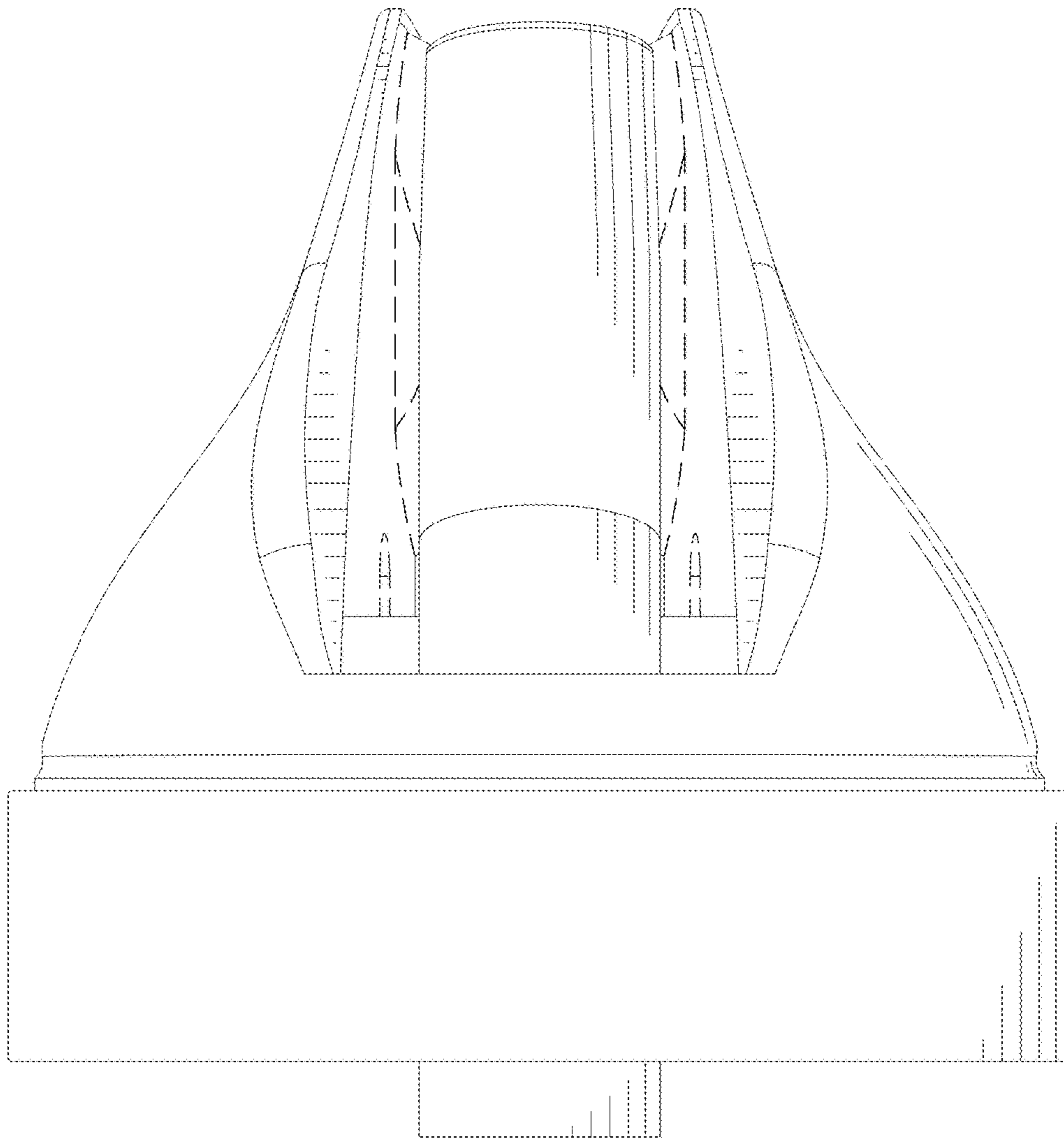


FIG. 3

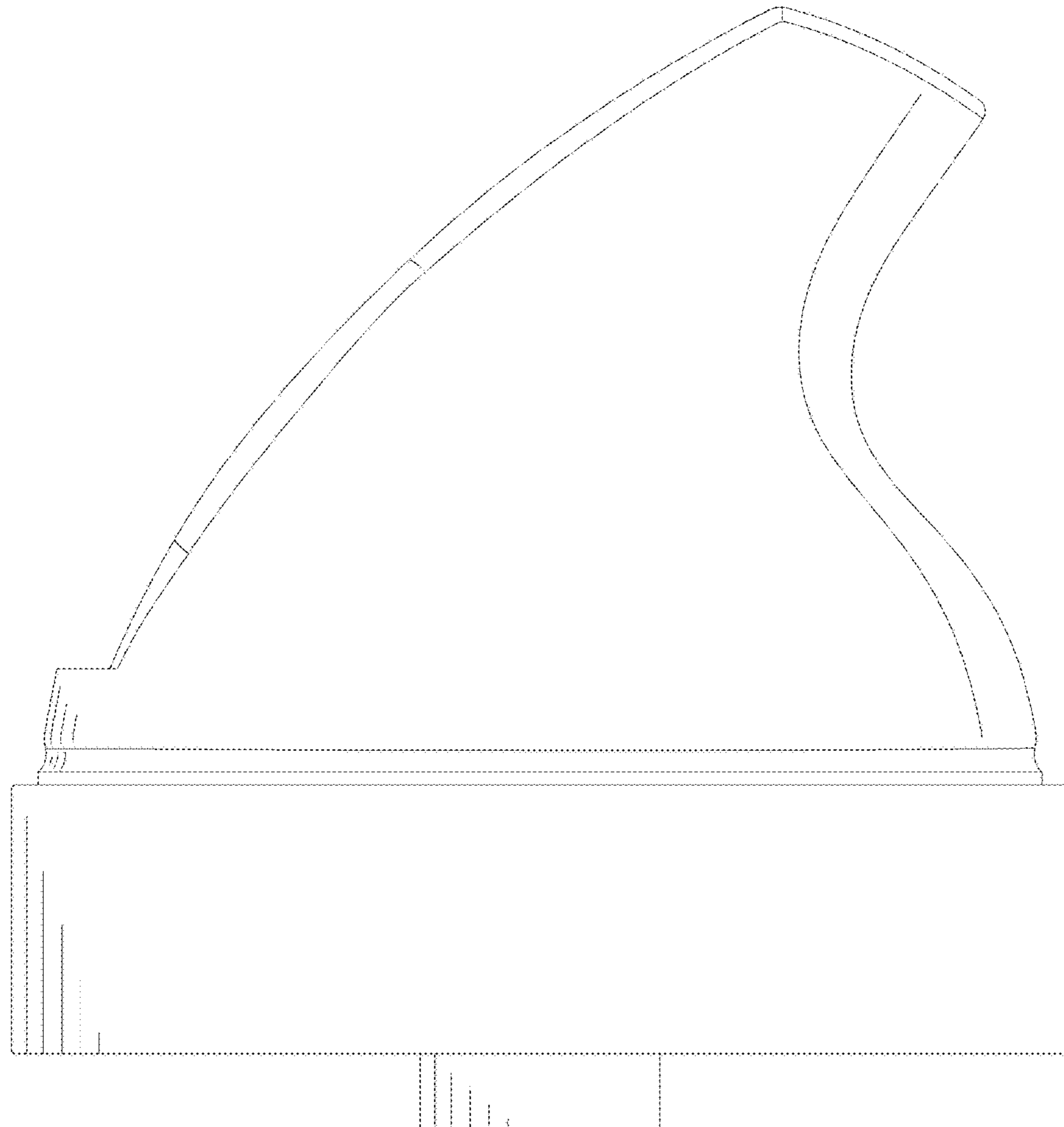


FIG. 4

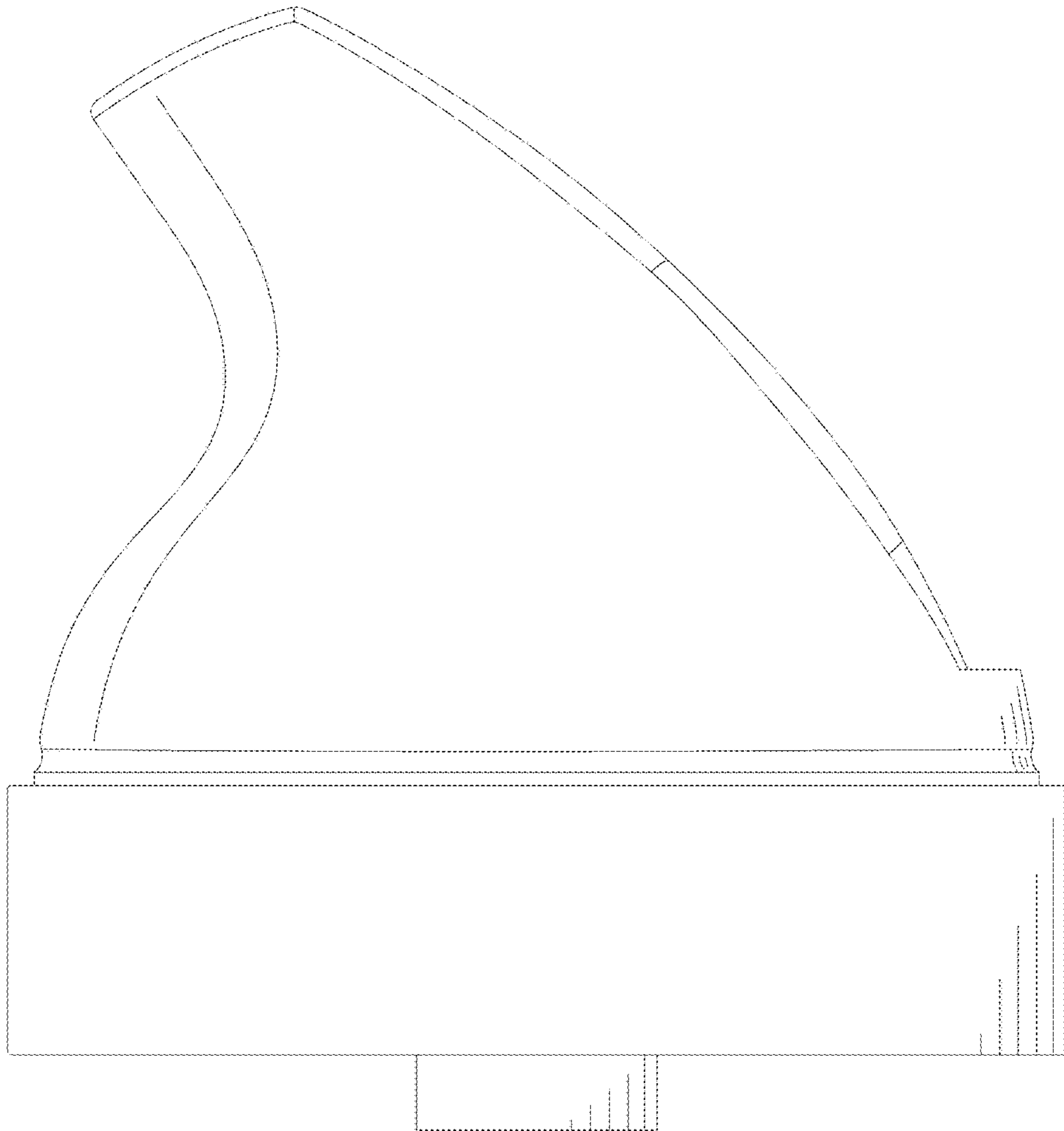


FIG. 5

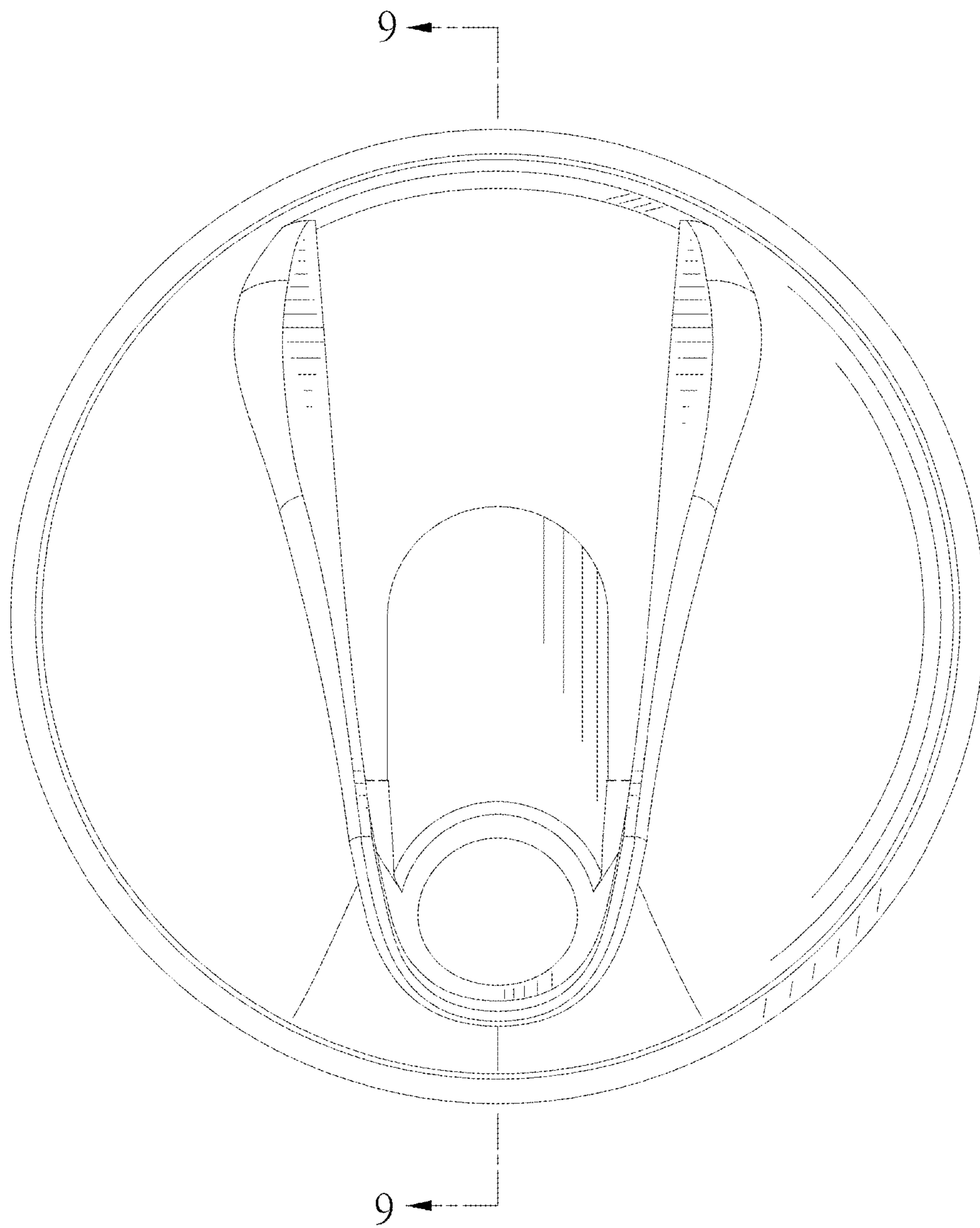


FIG. 6

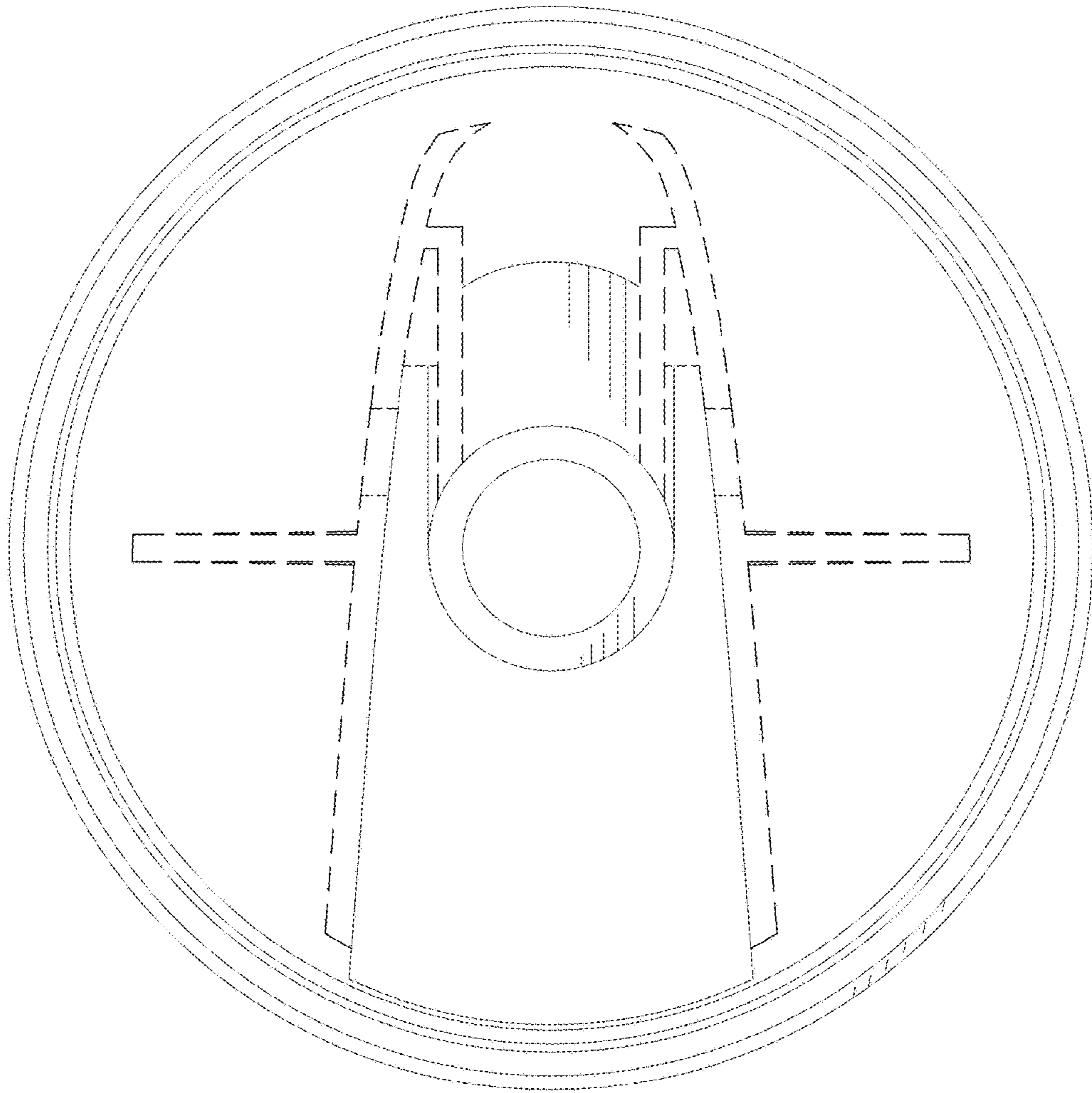


FIG. 7

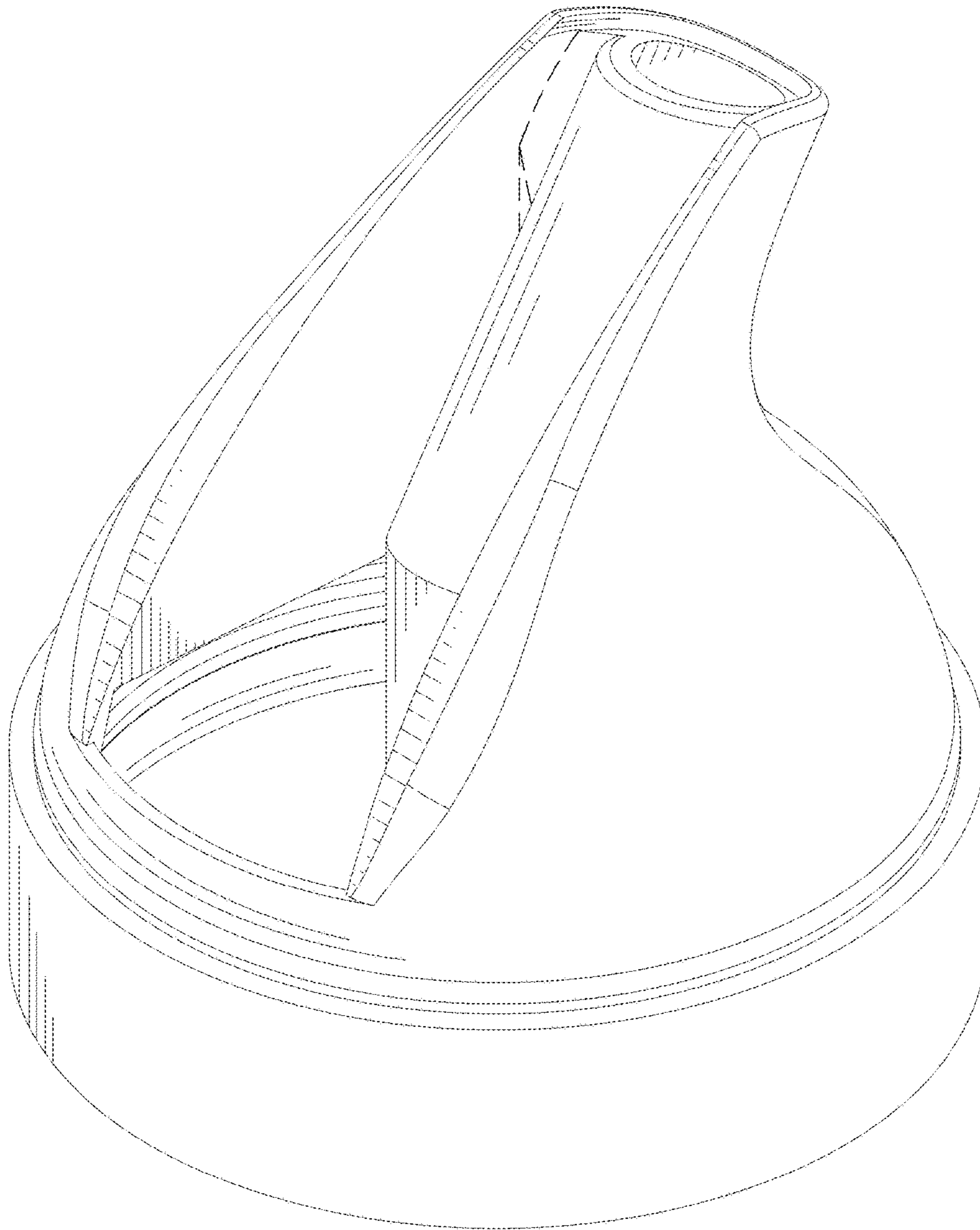


FIG. 8

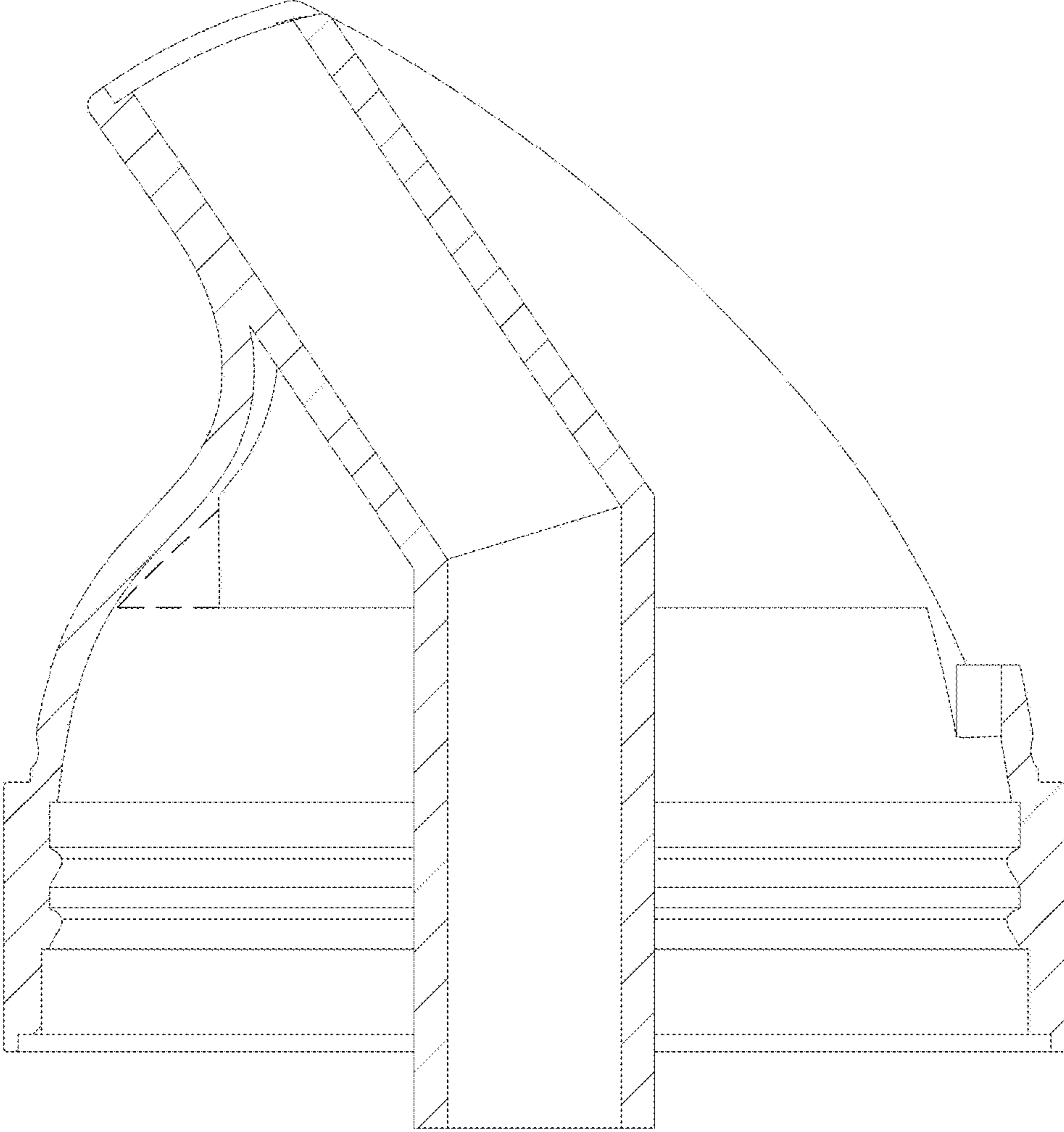


FIG. 9