



US00D824761S

(12) **United States Design Patent**
Lebon et al.

(10) **Patent No.:** **US D824,761 S**

(45) **Date of Patent:** **** Aug. 7, 2018**

(54) **DISPENSER**

(71) Applicant: **Clariant Healthcare Packaging (France) SAS**, Choisy le Roi (FR)

(72) Inventors: **Jacquy Lebon**, Challands (FR);
Dominique Bois, Montreuil aux Lions (FR)

(73) Assignee: **CLARIANT HEALTHCARE PACKAGING (FRANCE) SAS**, Choisy le Roi (FR)

(**) Term: **15 Years**

(21) Appl. No.: **29/581,067**

(22) Filed: **Oct. 14, 2016**

(30) **Foreign Application Priority Data**

Apr. 14, 2016 (EM) 003068568

(51) **LOC (11) Cl.** **09-07**

(52) **U.S. Cl.**
USPC **D9/447**

(58) **Field of Classification Search**
USPC D3/202, 203.1, 242; D7/316, 321, 392.1,
D7/396.2, 397, 500, 507, 509-511;
D9/434-437, 439, 440, 442-445, 447,
D9/448, 449, 450, 452-455, 499, 682,
D9/685, 694; D23/213, 227, 233, 255,
D23/260, 269, 390
CPC B65D 47/00; B65D 47/043; B65D 47/32;
B65D 83/40; A47K 5/18
See application file for complete search history.

(56) **References Cited**

U.S. PATENT DOCUMENTS

D306,118 S * 2/1990 Guerrero D7/397
D320,562 S * 10/1991 Brester D9/452
D350,481 S * 9/1994 DeLury D27/133
D445,678 S * 7/2001 Malmberg D9/434

D445,679 S * 7/2001 Malmberg D9/434
D512,913 S * 12/2005 Gauthier D9/450
D542,133 S * 5/2007 Haber D9/453
D616,747 S * 6/2010 Stull D9/452
D673,451 S * 1/2013 Harvey D7/392.1
D679,594 S * 4/2013 Stull, Sr. D9/452

(Continued)

OTHER PUBLICATIONS

Alibaba. Wholesale stainless steel russian icing pastry piping nozzle tip set in guangzhou. 2017 [earliest online date], [site visited Dec. 21, 2017]. Available from Internet, <URL:https://www.alibaba.com/product-detail/Wholesale-stainless-steel-russian-icing-pastry_60496363988.html>. (Year: 2017).*

(Continued)

Primary Examiner — Eric L Goodman

Assistant Examiner — Darcey E Heflin

(74) *Attorney, Agent, or Firm* — Knobbe Martens Olson & Bear LLP

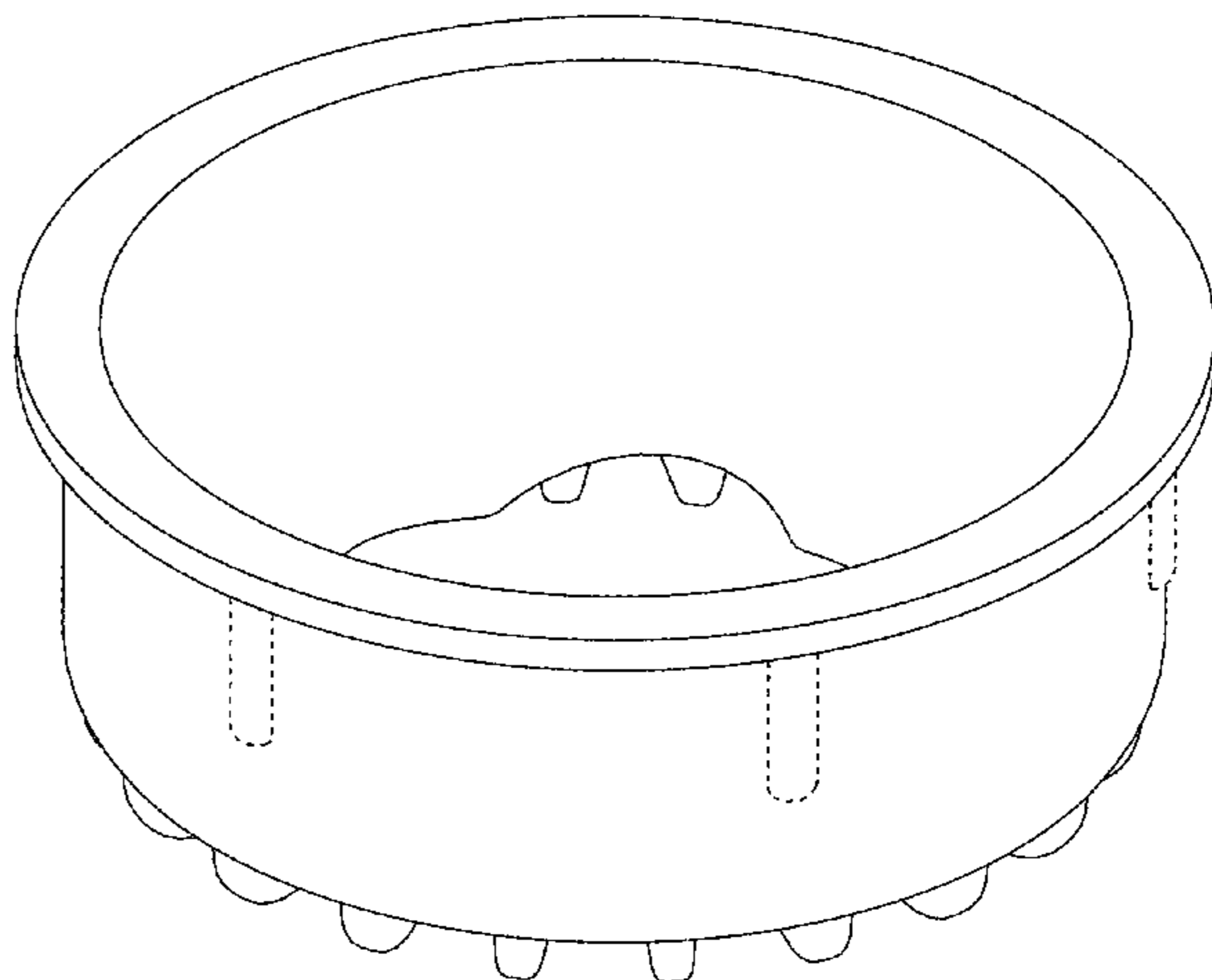
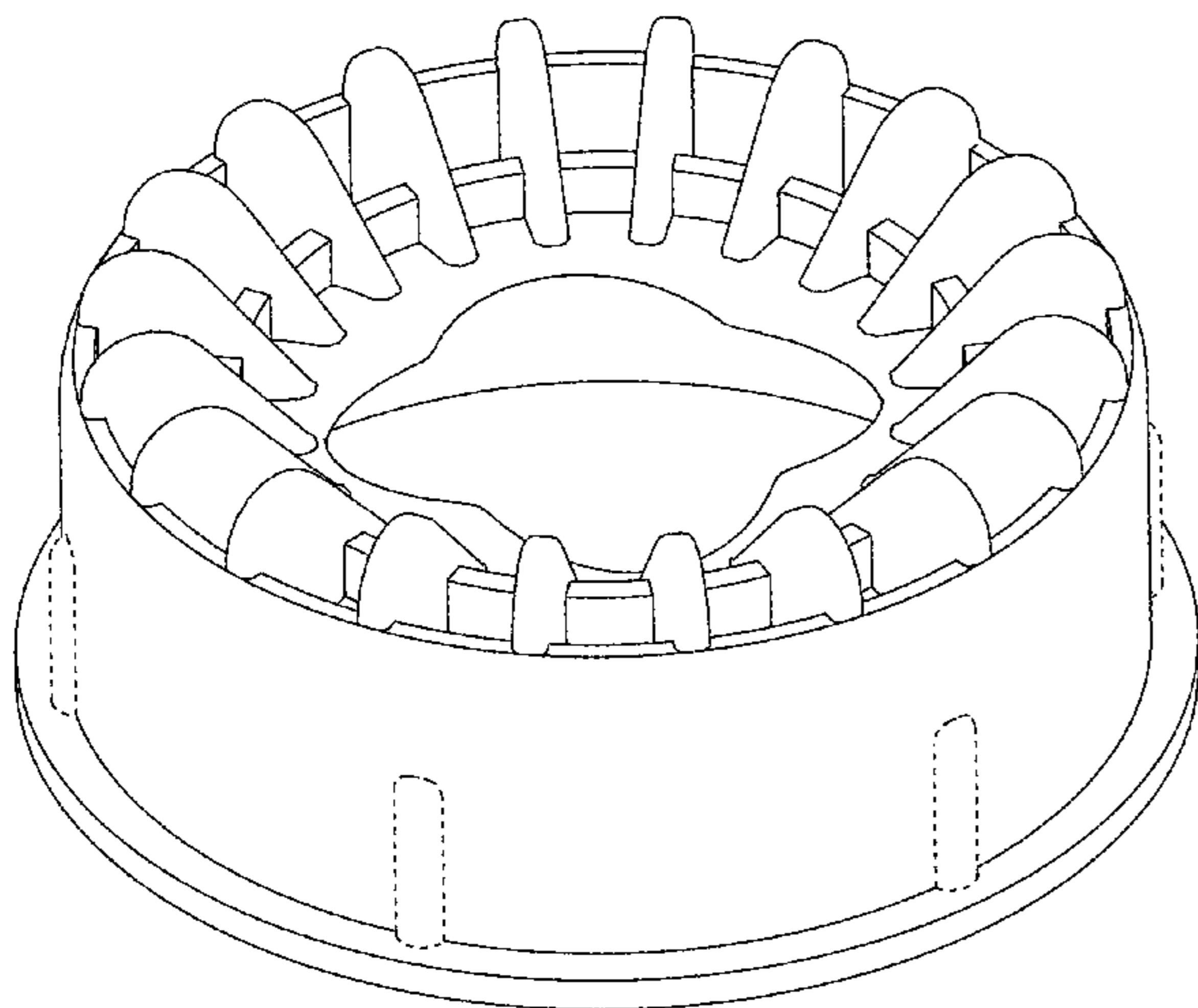
(57) **CLAIM**

We claim the ornamental design for a dispenser, as shown and described.

DESCRIPTION

FIG. 1 is a bottom perspective view of a dispenser showing my new design;
FIG. 2 is a top perspective view thereof;
FIG. 3 is a front view thereof;
FIG. 4 is a rear view thereof;
FIG. 5 is a right side view thereof;
FIG. 6 is a left side view thereof;
FIG. 7 is a top view thereof;
FIG. 8 is a bottom view thereof; and,
FIG. 9 is a cross-sectional view thereof, taken in the direction of line 9-9 in FIG. 8 drawing view.
The broken lines in the drawings illustrate portions of the dispenser that form no part of the claim.

1 Claim, 9 Drawing Sheets



(56)

References Cited

U.S. PATENT DOCUMENTS

D679,596	S	*	4/2013	Stull, Sr.	D9/452
D729,571	S	*	5/2015	Wilson	D7/396.2
D743,741	S	*	11/2015	Itzhaki	D7/510
D745,642	S	*	12/2015	Luo	D23/260
D757,546	S	*	5/2016	Seifer	D9/453
D760,027	S	*	6/2016	Meyers	D7/510
D762,115	S	*	7/2016	Corvaglia	D9/443
D766,086	S	*	9/2016	Strachan	D9/434
D783,358	S	*	4/2017	Schlegel	D7/510

OTHER PUBLICATIONS

Clariant. Clariant Launches New 24-Canister Dispenser Machine CD2406. Apr. 2015 [earliest online date], [site visited Dec. 21, 2017]. Available from Internet, <URL:<https://www.clariant.com/en/Corporate/News/2015/04/Clariant-launches-new-24canister-dispenser-machine-CD2406>>. (Year: 2015).*

* cited by examiner

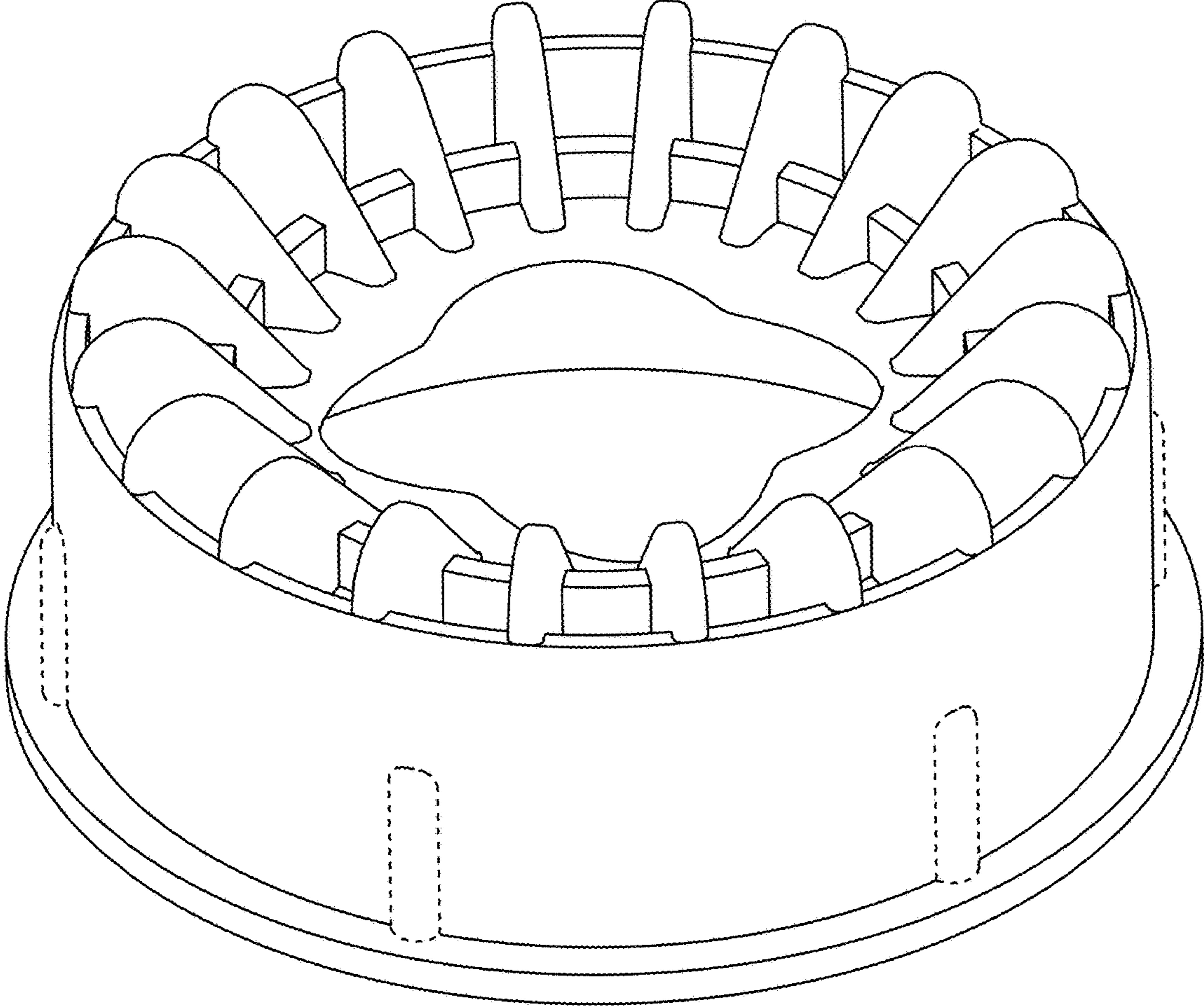


FIG. 1

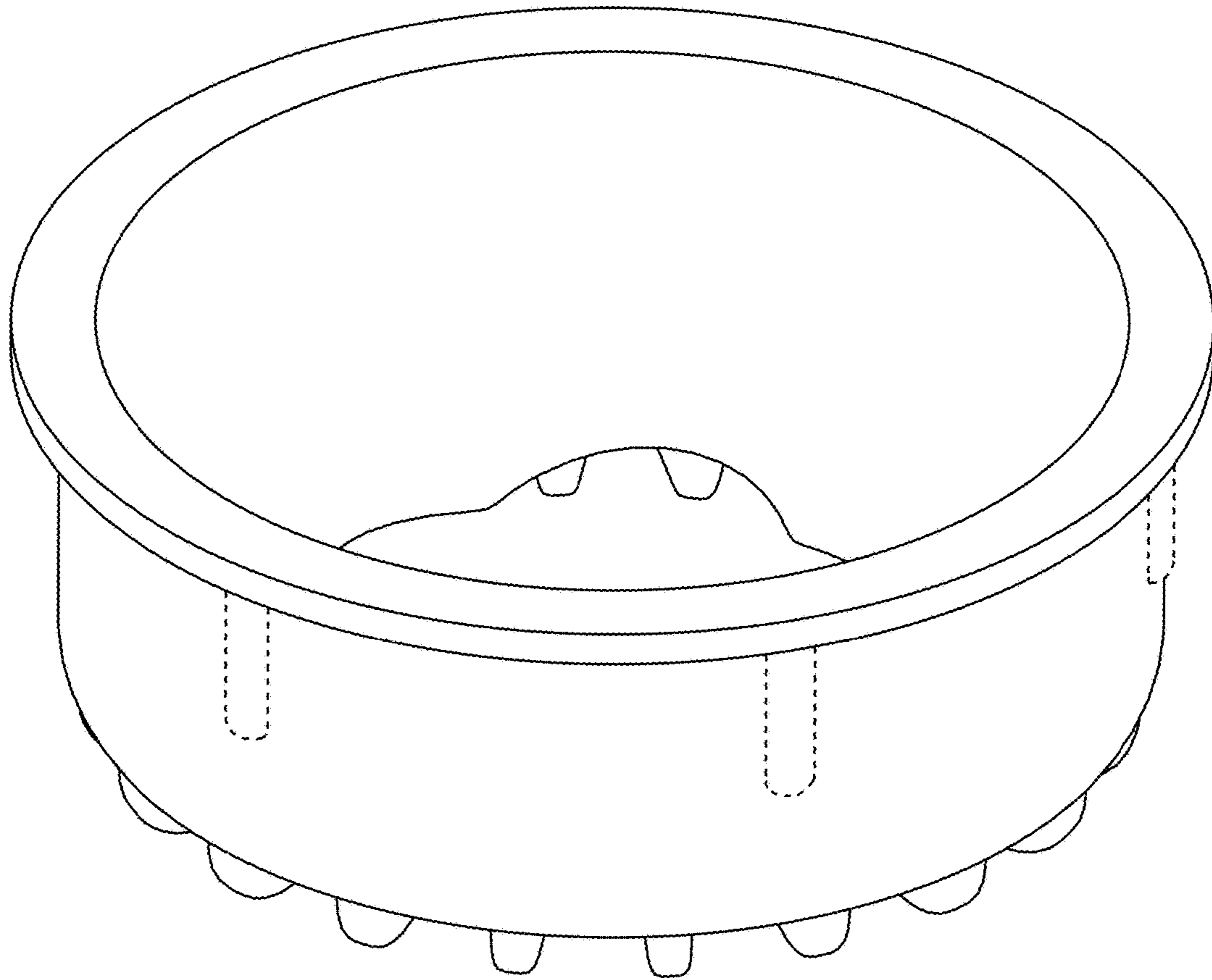


FIG. 2

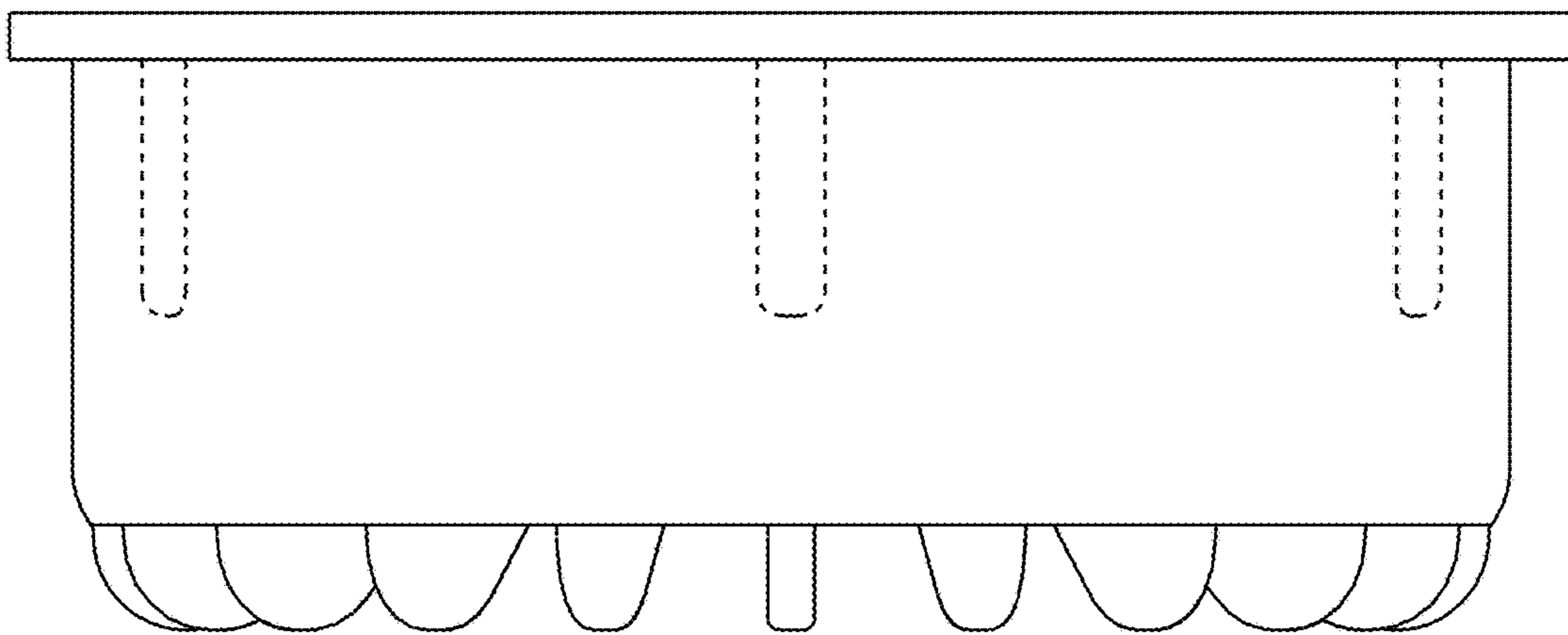


FIG. 3

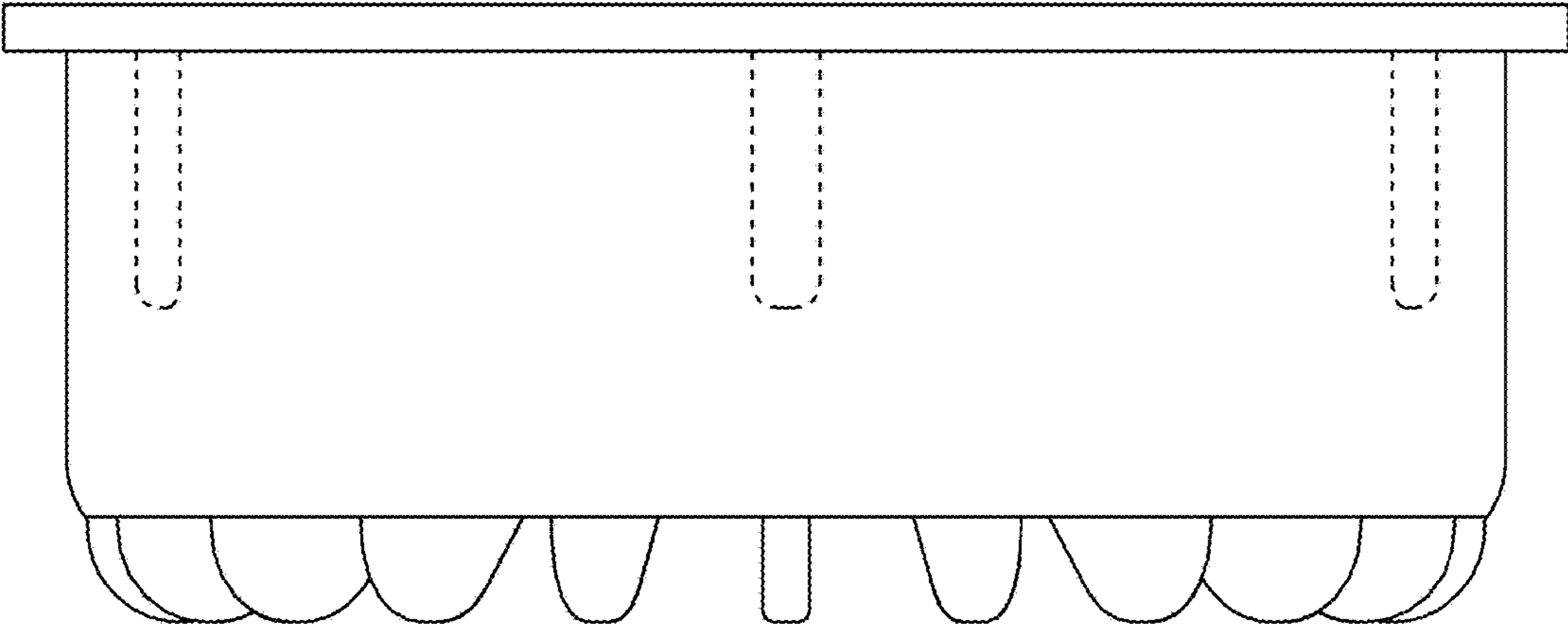


FIG. 4

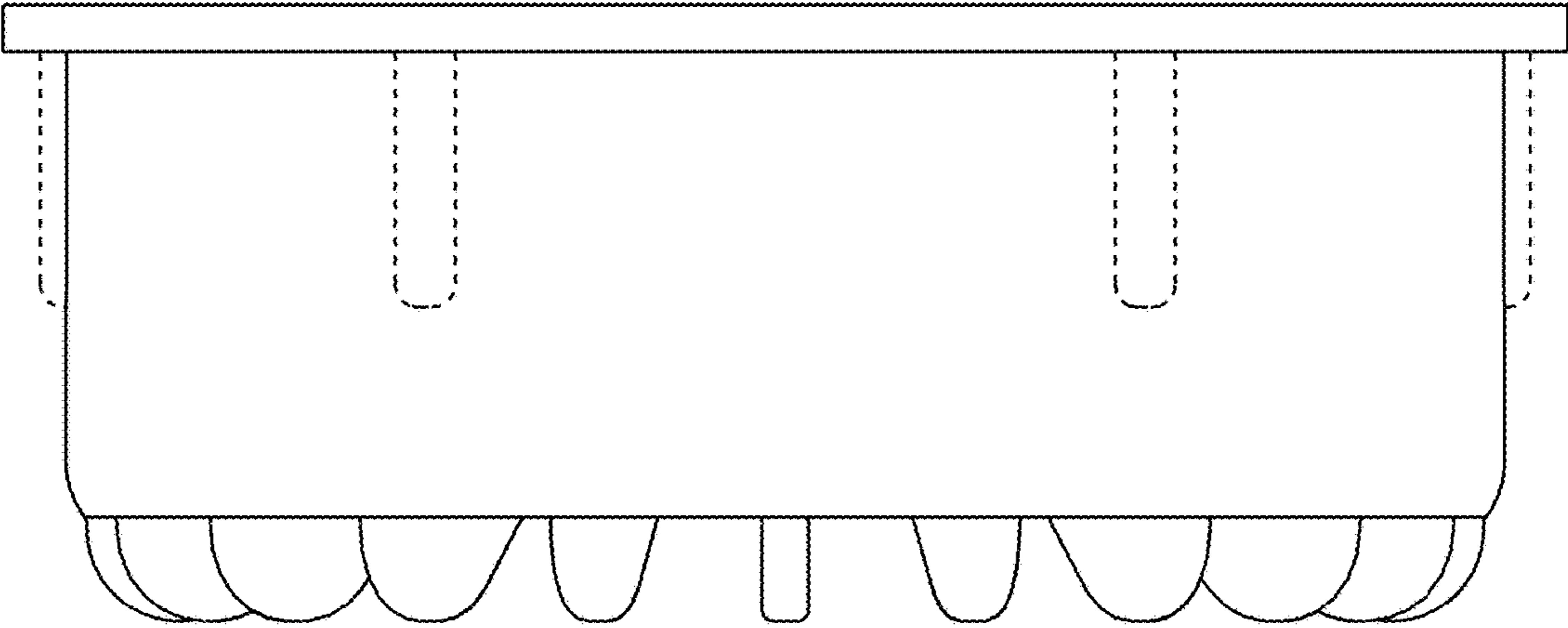


FIG. 5

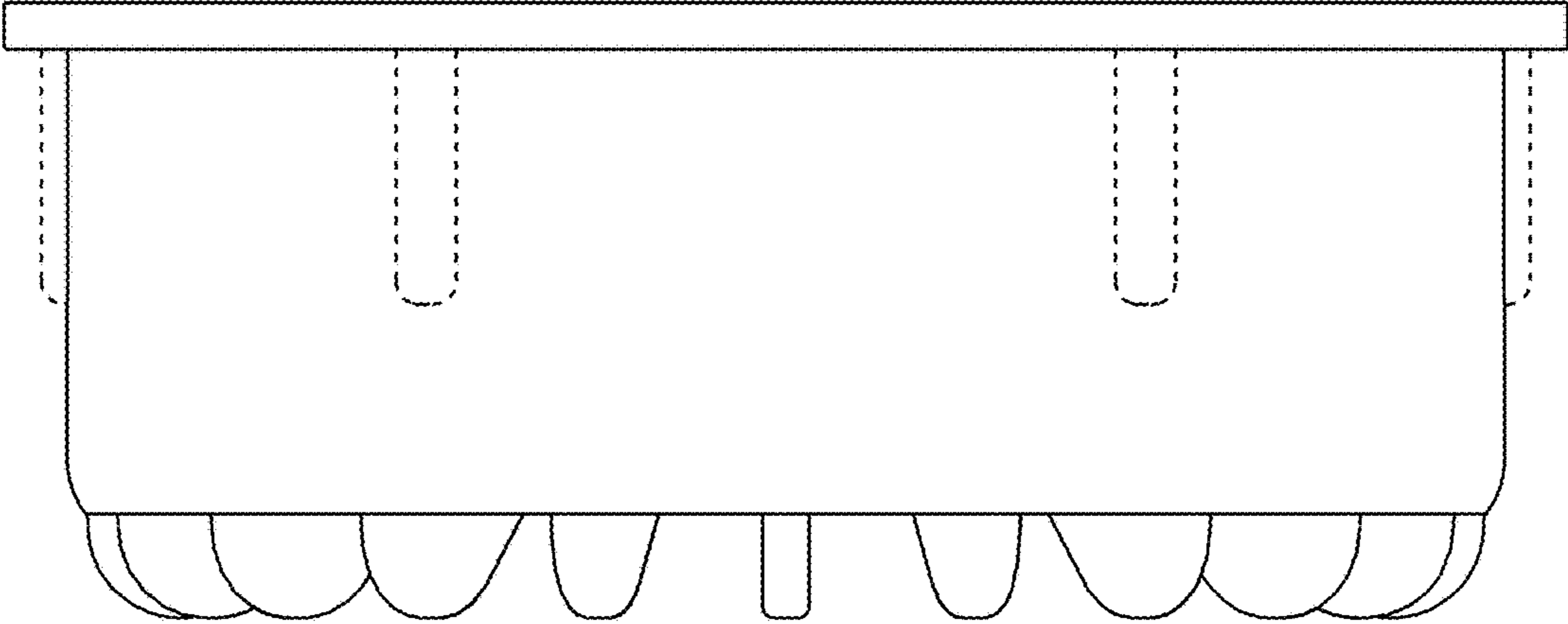


FIG. 6

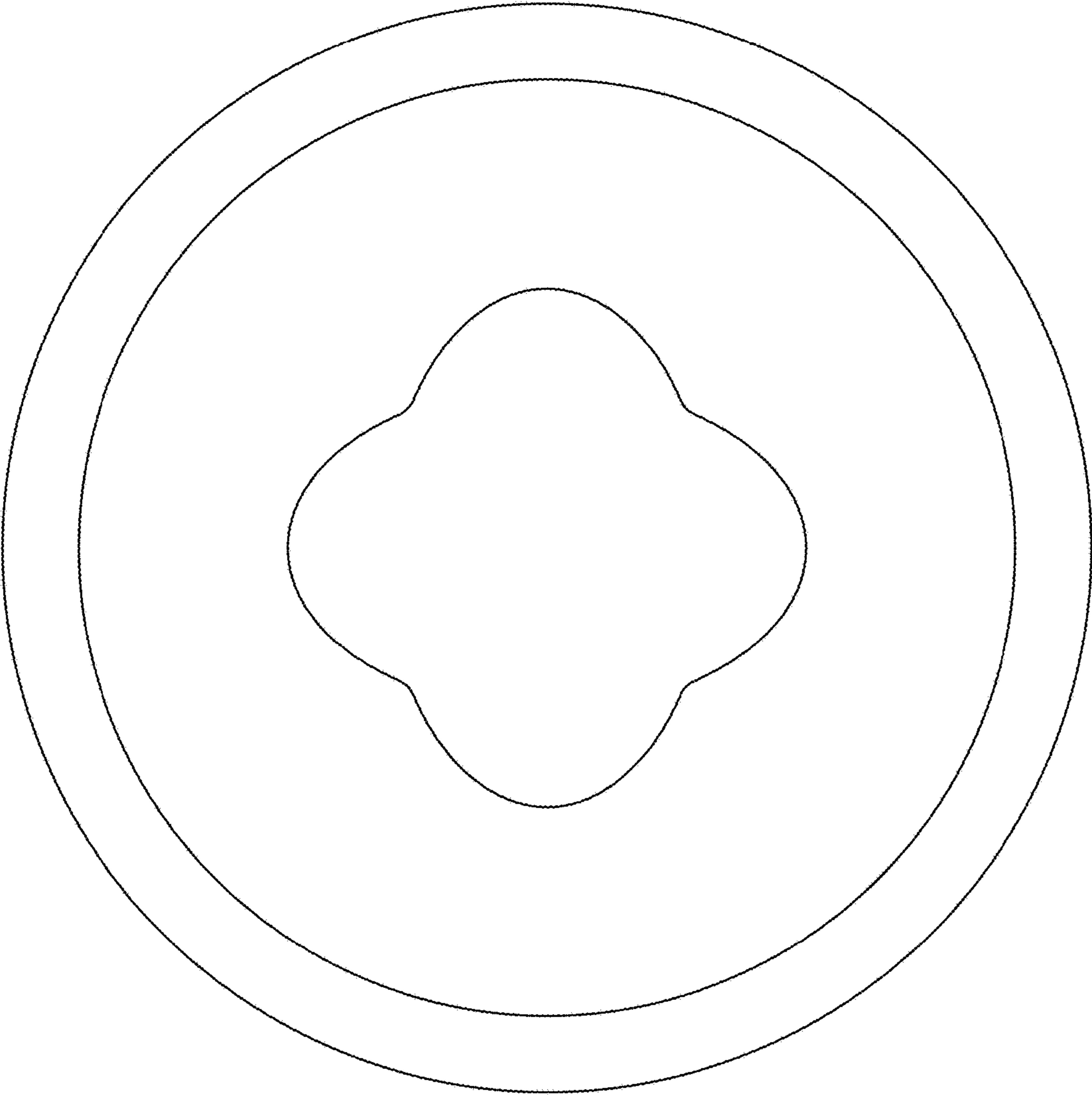


FIG. 7

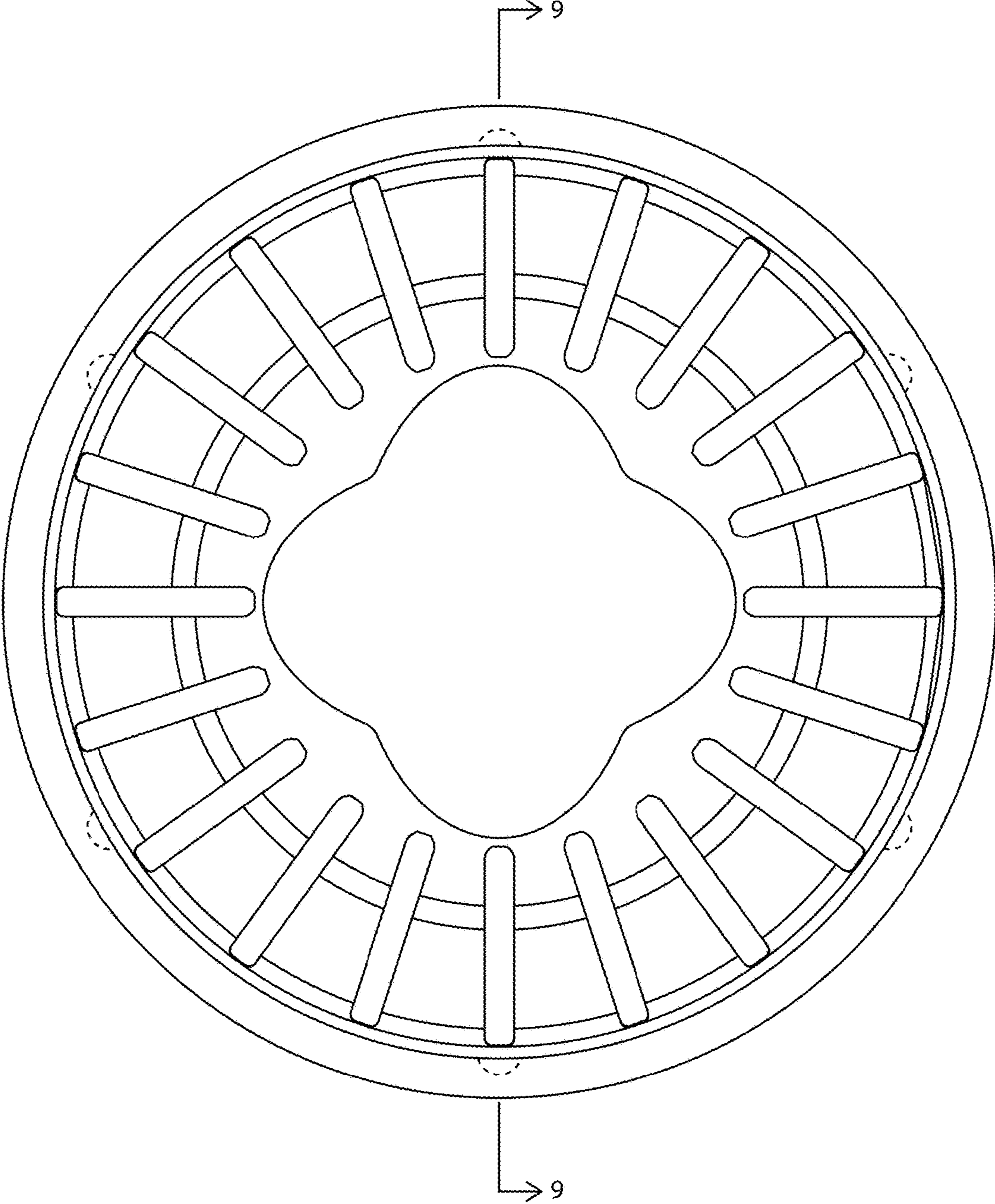


FIG. 8

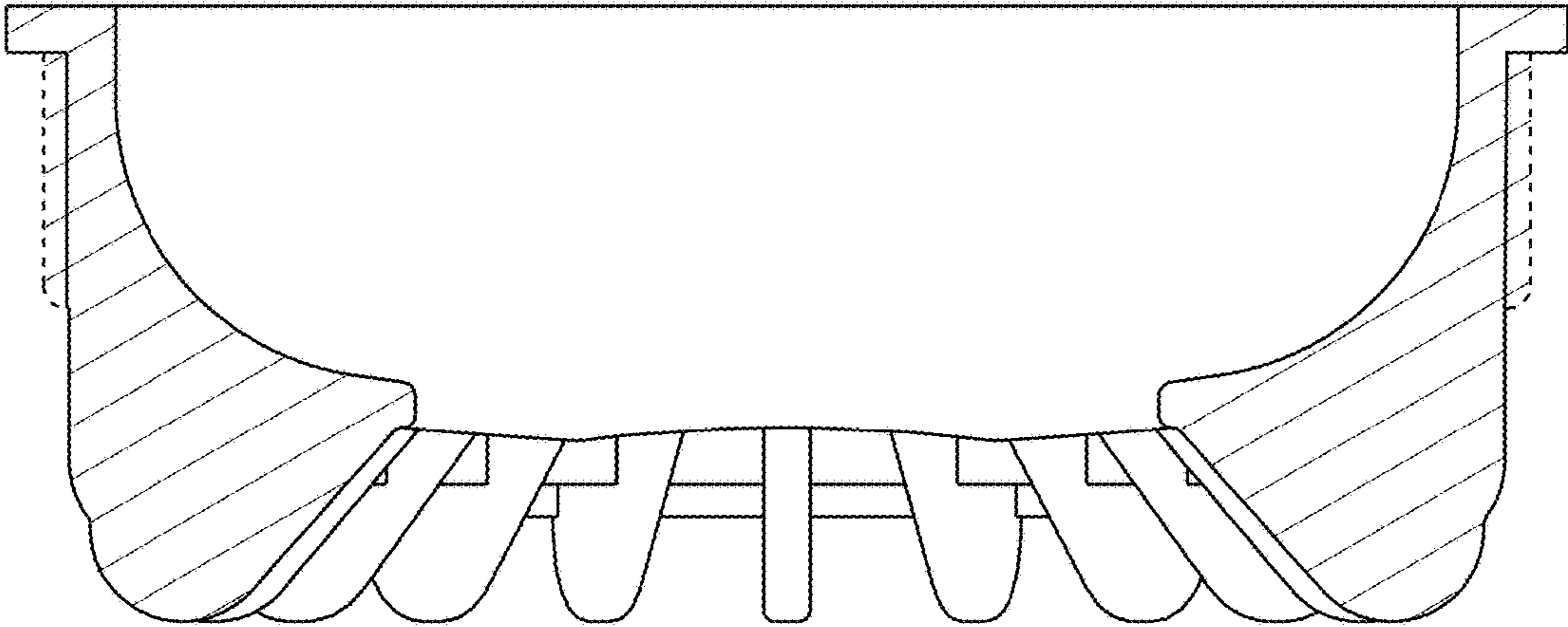


FIG. 9