



US00D824760S

(12) **United States Design Patent**  
**Lebon**

(10) **Patent No.:** **US D824,760 S**

(45) **Date of Patent:** **\*\* Aug. 7, 2018**

(54) **DISPENSER**

(71) Applicant: **Clariant Healthcare Packaging (France) SAS**, Choisy le Roi (FR)

(72) Inventor: **Jacquy Lebon**, Challands (FR)

(73) Assignee: **CLARIANT HEALTHCARE PACKAGING (FRANCE) SAS**, Choisy le Roi (FR)

(\*\*) Term: **15 Years**

(21) Appl. No.: **29/581,057**

(22) Filed: **Oct. 14, 2016**

(30) **Foreign Application Priority Data**

Apr. 14, 2016 (EM) ..... 003068568

(51) **LOC (11) Cl.** ..... **09-07**

(52) **U.S. Cl.**  
USPC ..... **D9/447**

(58) **Field of Classification Search**  
USPC .... D3/202, 203.1, 242; D7/316, 321, 392.1, D7/396.2, 397, 500, 507, 509-511; D9/434-437, 439, 440, 442-445, 447, D9/448, 449, 450, 452-455, 499, 682, D9/685, 694; D23/213, 227, 233, 255, D23/260, 269, 390  
CPC ..... B65D 47/00; B65D 47/043; B65D 47/32; B65D 83/40; A47K 5/18  
See application file for complete search history.

(56) **References Cited**

**U.S. PATENT DOCUMENTS**

D209,789 S \* 1/1968 Huston ..... D9/435  
D287,208 S \* 12/1986 Daenen ..... D7/392.1  
D523,335 S \* 6/2006 Nelson ..... D9/447  
D534,076 S \* 12/2006 Green ..... A45D 40/0068  
D9/435  
D535,151 S \* 1/2007 Seum ..... D7/510

D536,614 S \* 2/2007 Peterson ..... D9/454  
D536,975 S \* 2/2007 Smith ..... D9/435  
D560,119 S \* 1/2008 Bloc ..... D9/446  
D571,199 S \* 6/2008 Petrosino ..... D9/435  
D612,197 S \* 3/2010 Chan ..... D7/392.1  
D627,225 S \* 11/2010 Gonzalez Sanchez ..... D9/449  
D661,583 S \* 6/2012 Santarelli ..... D9/449

(Continued)

**OTHER PUBLICATIONS**

Sanner. Pharma Desiccant Packaging. 2017 [earliest online date], [site visited Dec. 21, 2017]. Available from Internet, <URL:http://www.sanner-group.com/en/pharma-desiccant-packaging/>. (Year: 2017).\*

(Continued)

*Primary Examiner* — Eric L Goodman

*Assistant Examiner* — Darcey E Heflin

(74) *Attorney, Agent, or Firm* — Knobbe Martens Olson & Bear LLP

(57) **CLAIM**

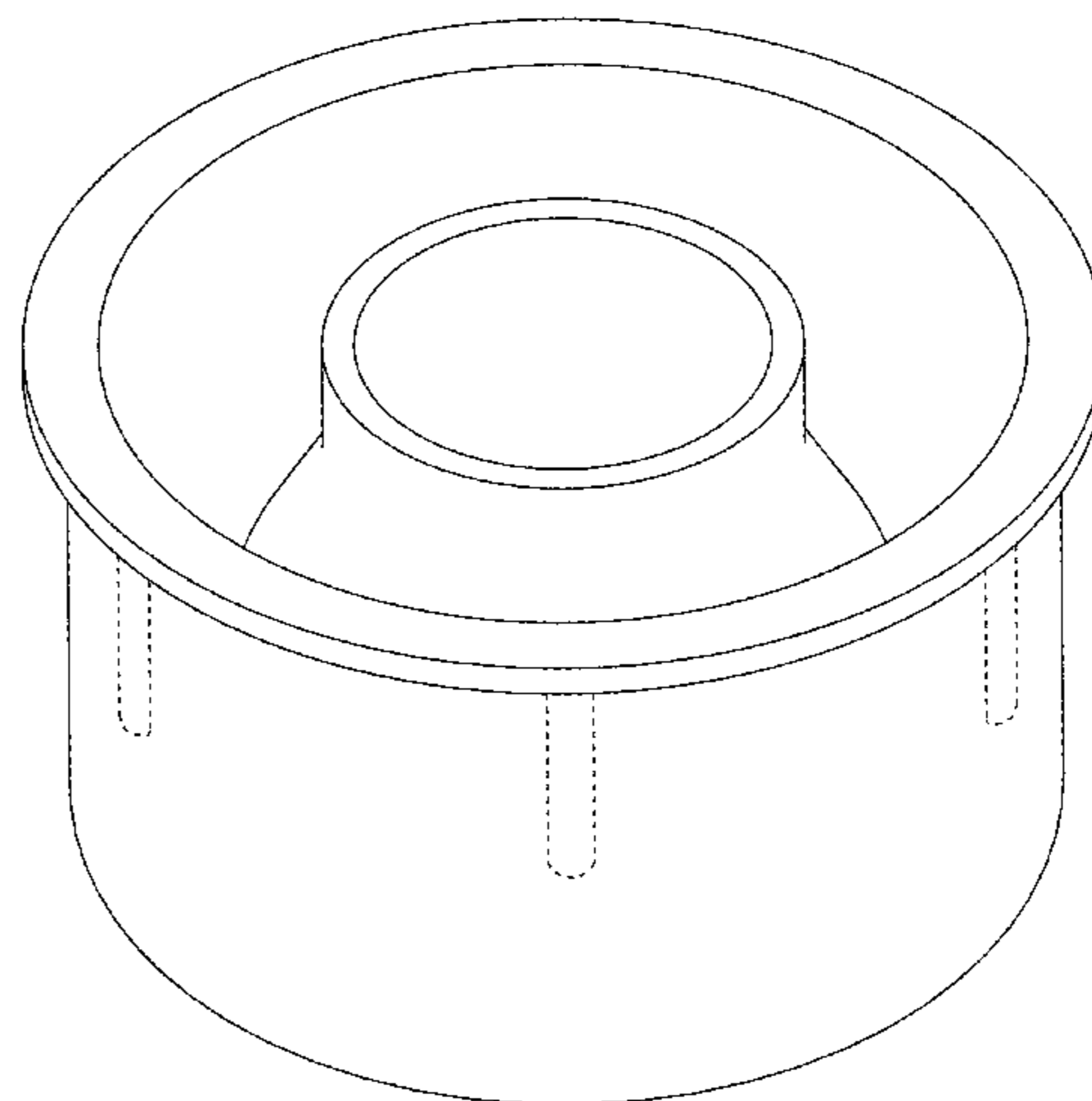
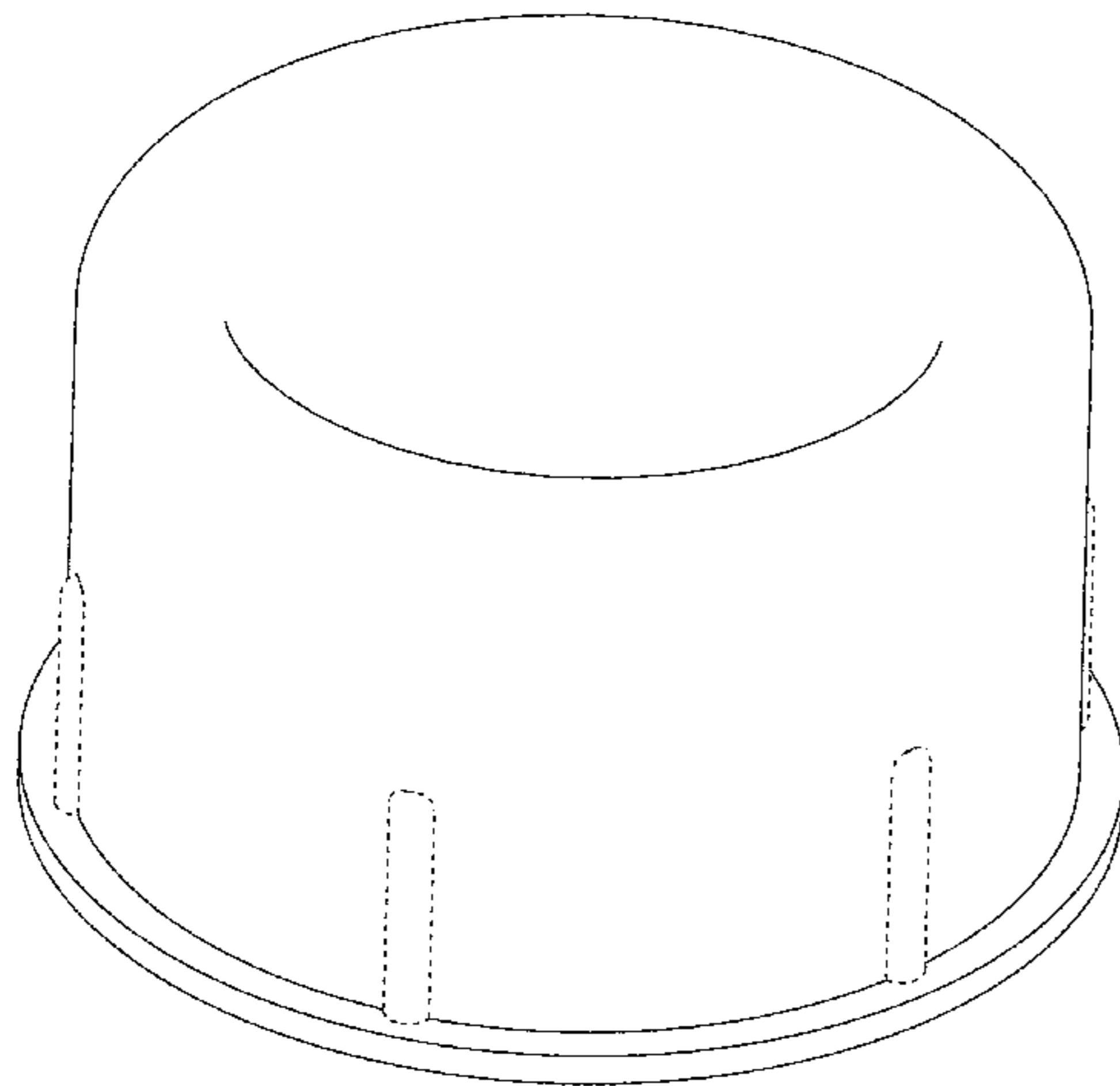
We claim the ornamental design for a dispenser, as shown and described.

**DESCRIPTION**

FIG. 1 is a bottom perspective view of a dispenser showing my new design;  
FIG. 2 is a top perspective view thereof;  
FIG. 3 is a front view thereof;  
FIG. 4 is a rear view thereof;  
FIG. 5 is a right side view thereof;  
FIG. 6 is a left side view thereof;  
FIG. 7 is a top view thereof;  
FIG. 8 is a bottom view thereof; and,  
FIG. 9 is a cross-sectional view taken in the direction of line 9-9 in FIG. 8.

The broken lines in the drawings illustrate the portions of the dispenser that form no part of the claim.

**1 Claim, 9 Drawing Sheets**



(56)

**References Cited**

U.S. PATENT DOCUMENTS

D663,202 S \* 7/2012 Biesecker ..... D9/449  
D691,848 S \* 10/2013 Trudeau ..... D7/392.1  
D696,942 S \* 1/2014 Kim ..... D9/447  
D705,058 S \* 5/2014 Kim ..... D9/447  
D708,521 S \* 7/2014 Buschmann ..... D9/449  
D710,696 S \* 8/2014 Kwon ..... D7/392.1  
D756,222 S \* 5/2016 Lopez ..... D23/260  
D759,488 S \* 6/2016 Gibson ..... D9/454  
D784,072 S \* 4/2017 Baron ..... D7/392.1

OTHER PUBLICATIONS

Clariant. Clariant Launches New 24-Canister Dispenser Machine CD2406. Apr. 2015 [earliest online date], [site visited Dec. 21, 2017]. Available from Internet, <URL:<https://www.clariant.com/en/Corporate/News/2015/04/Clariant-launches-new-24canister-dispenser-machine-CD2406>>. (Year: 2015).\*

\* cited by examiner

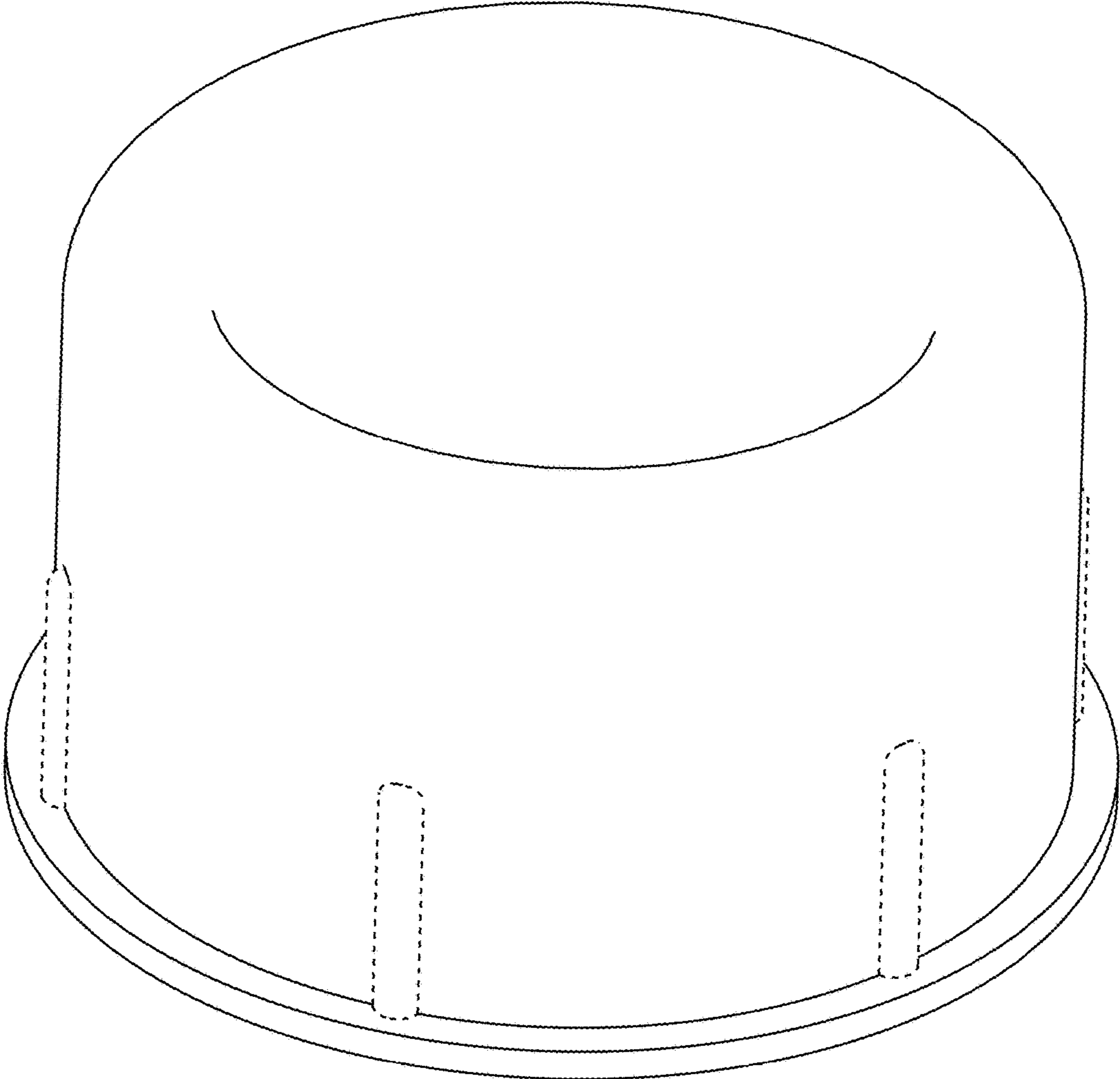


Figure 1

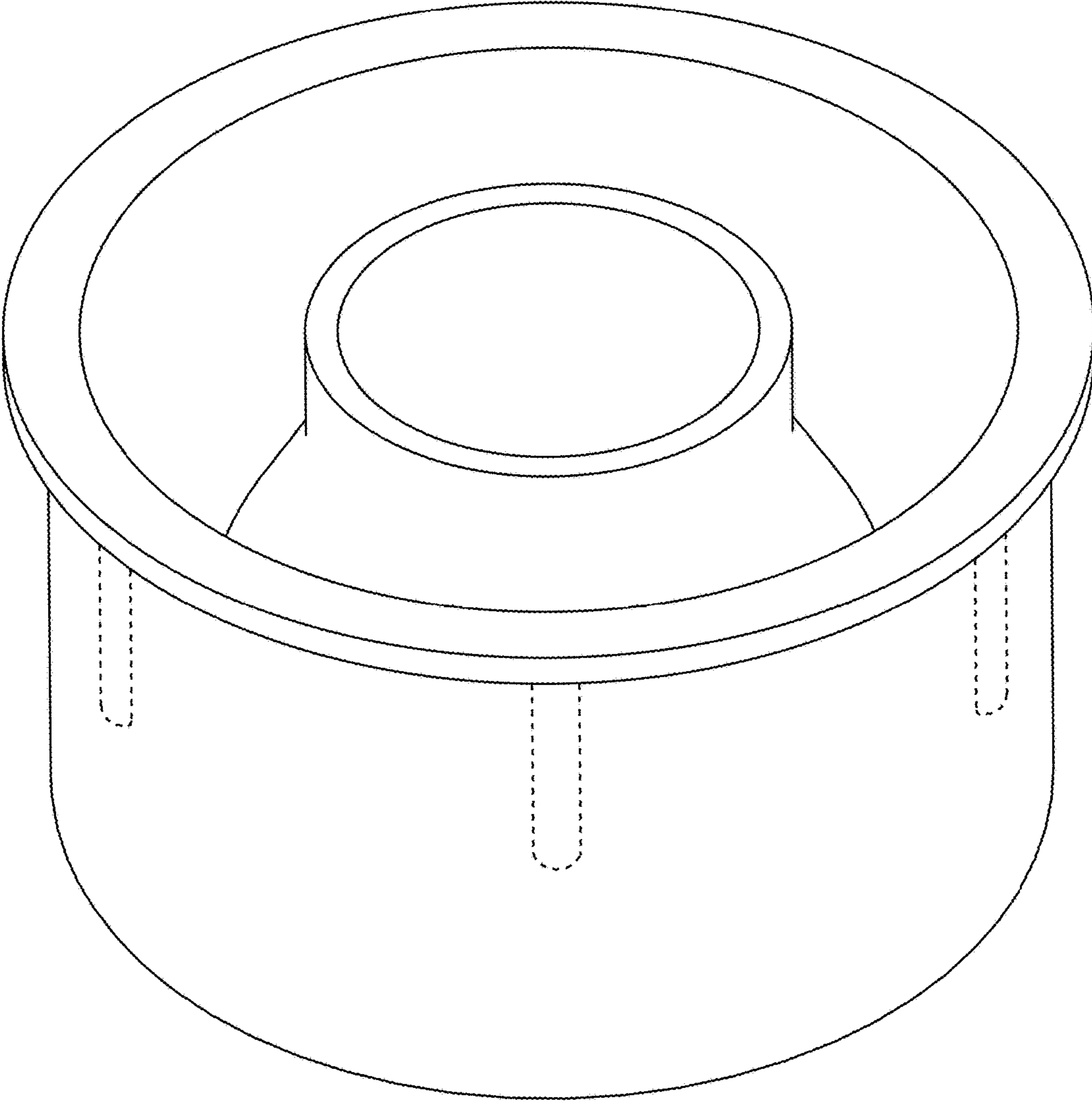


Figure 2

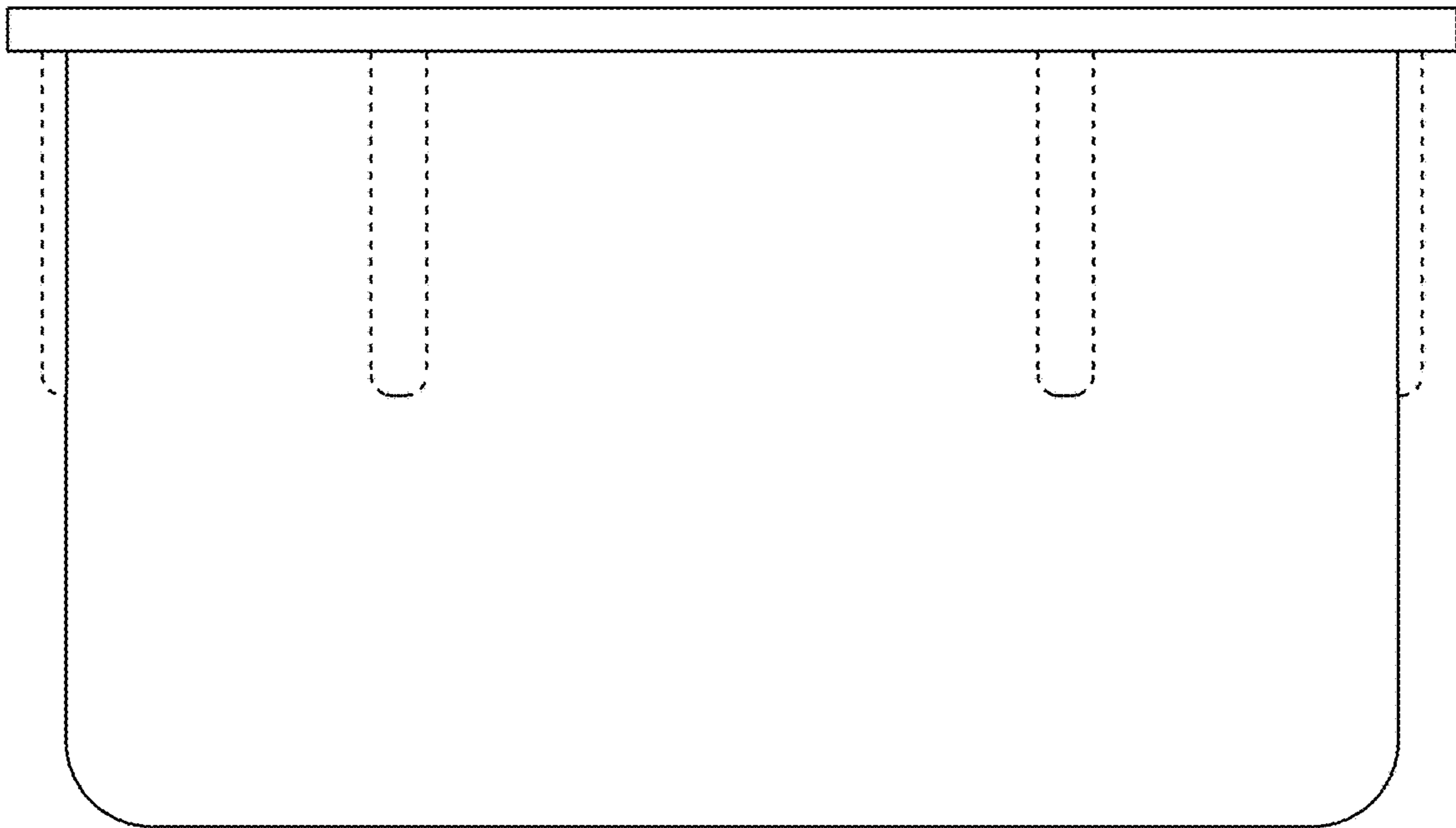


Figure 3

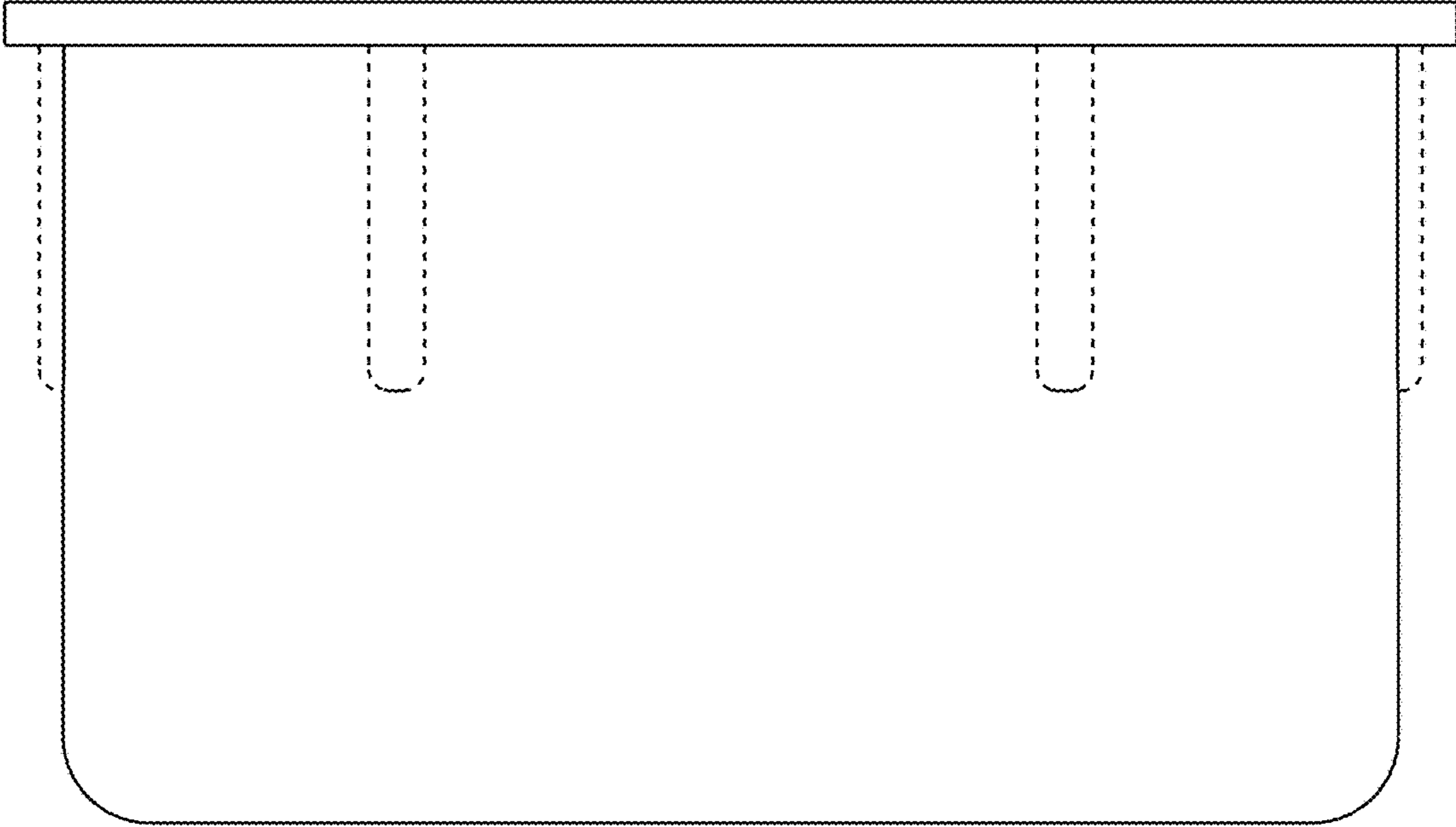


Figure 4

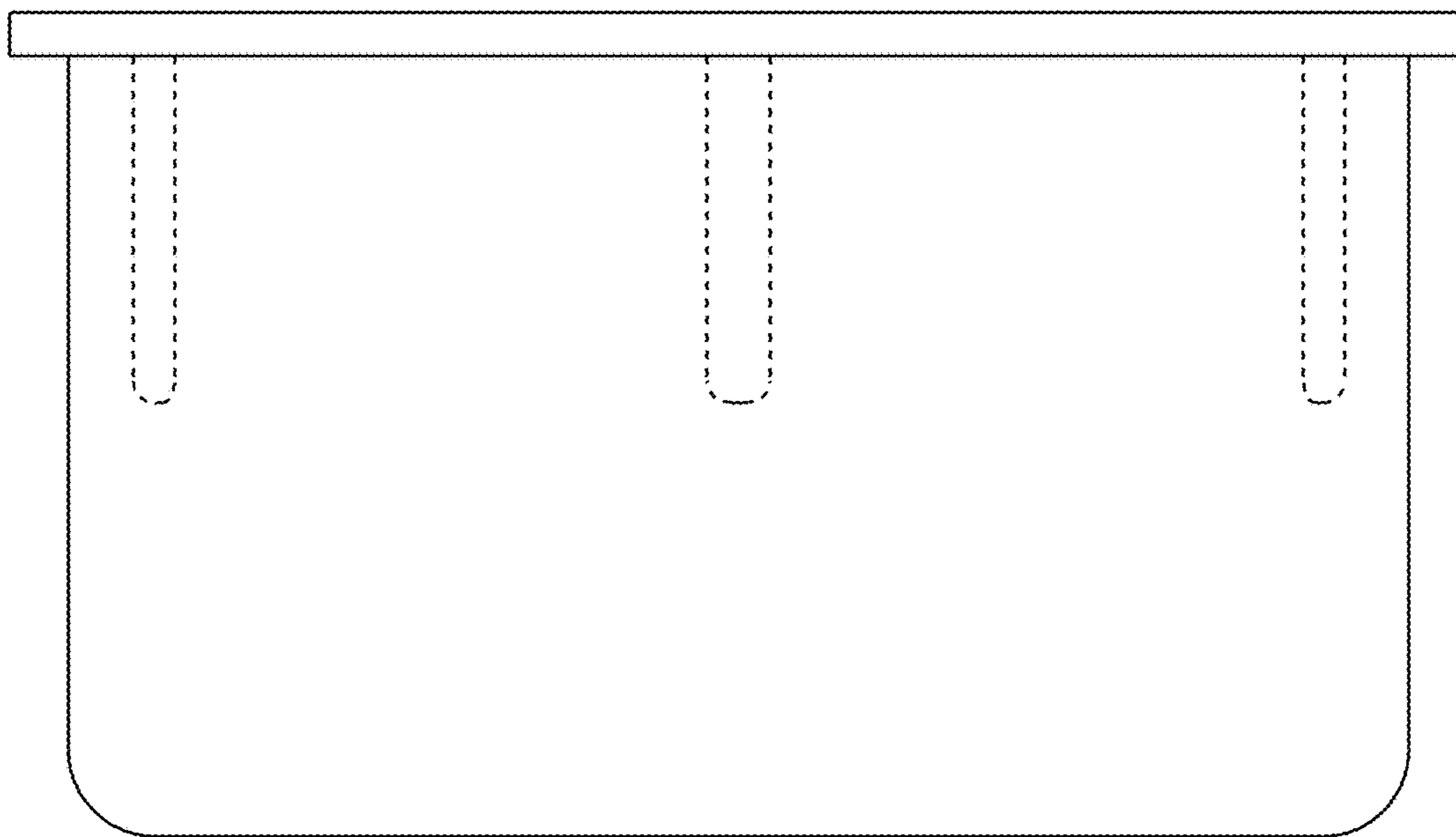


Figure 5

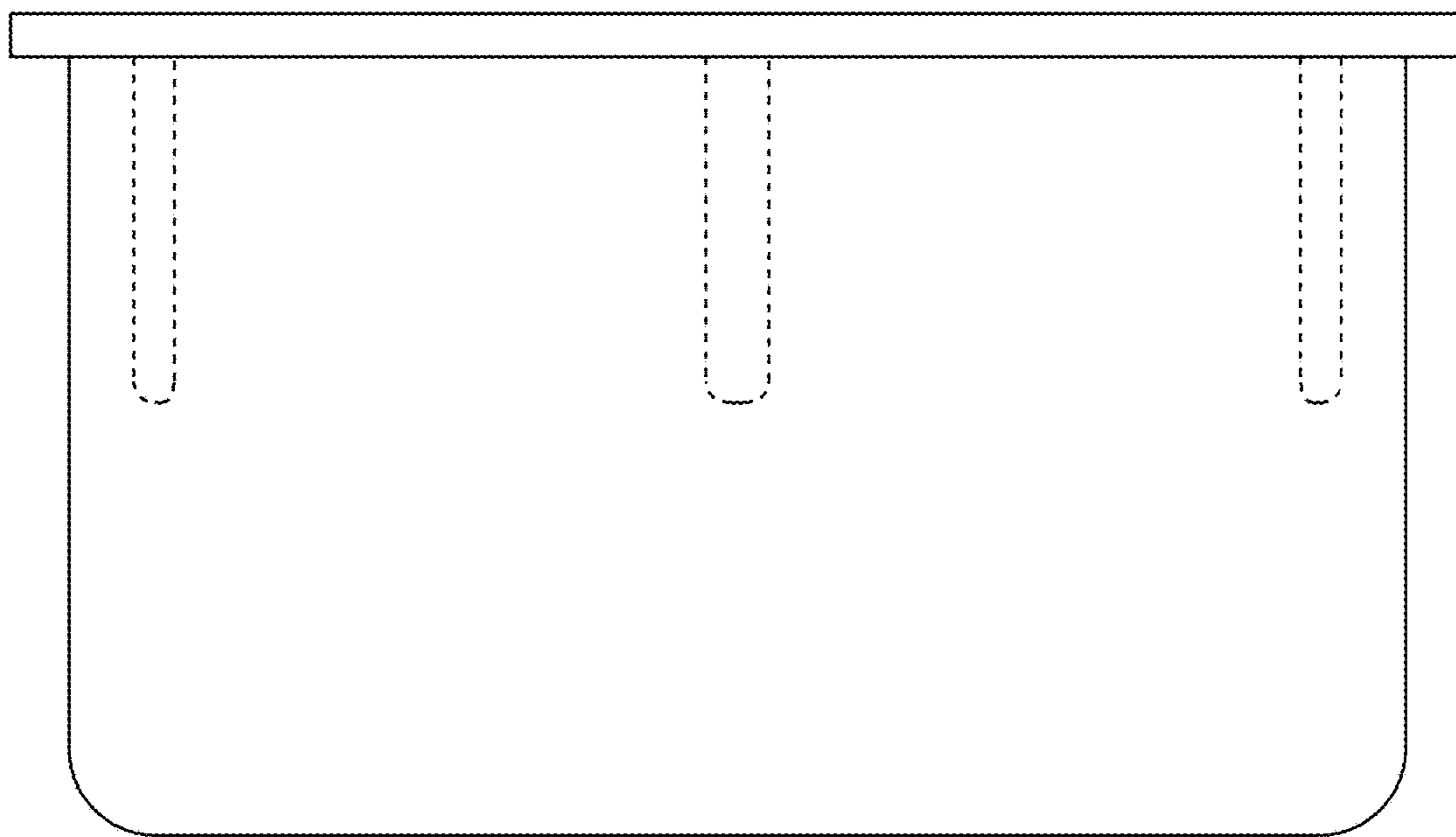


Figure 6



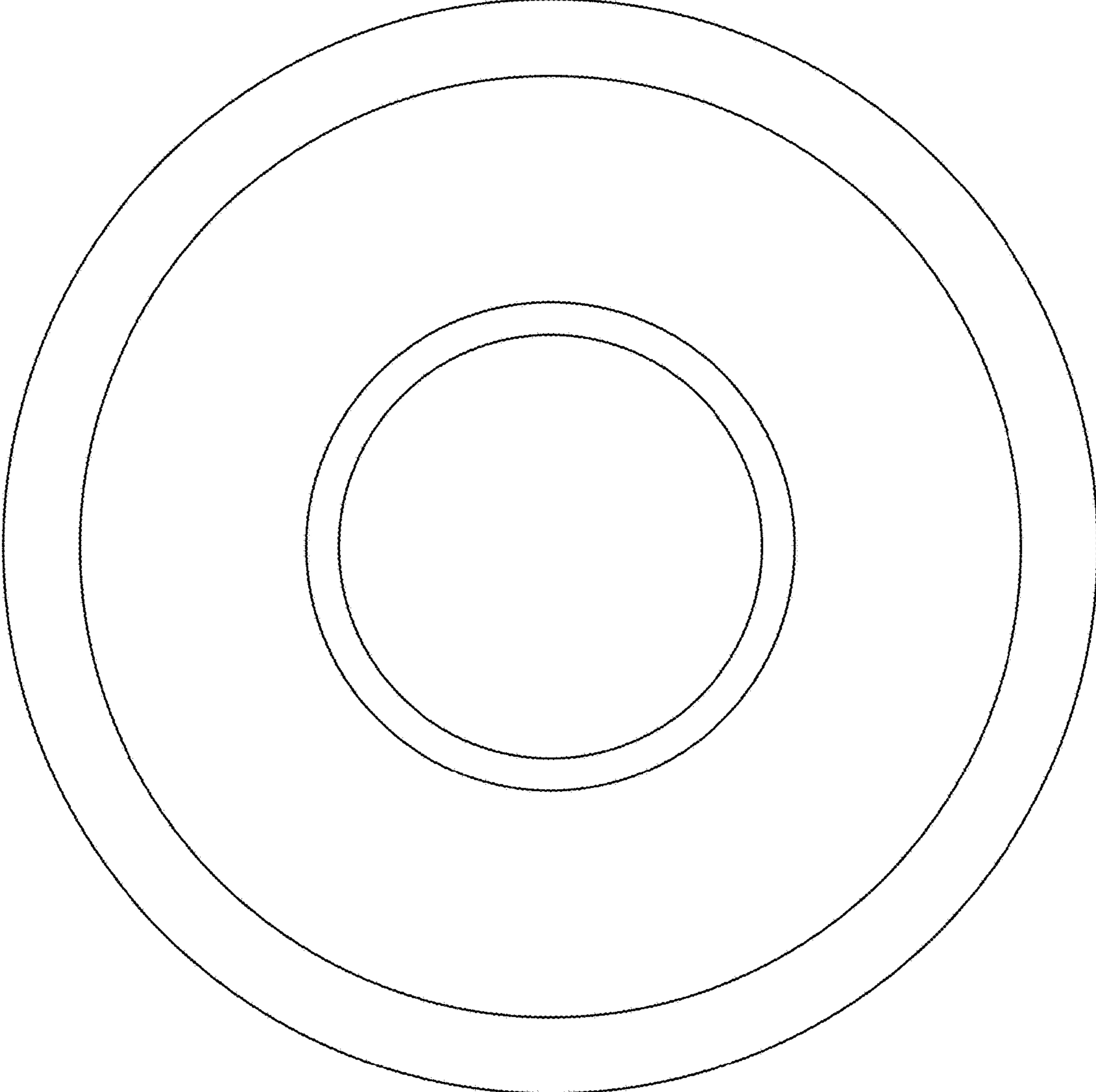


Figure 7

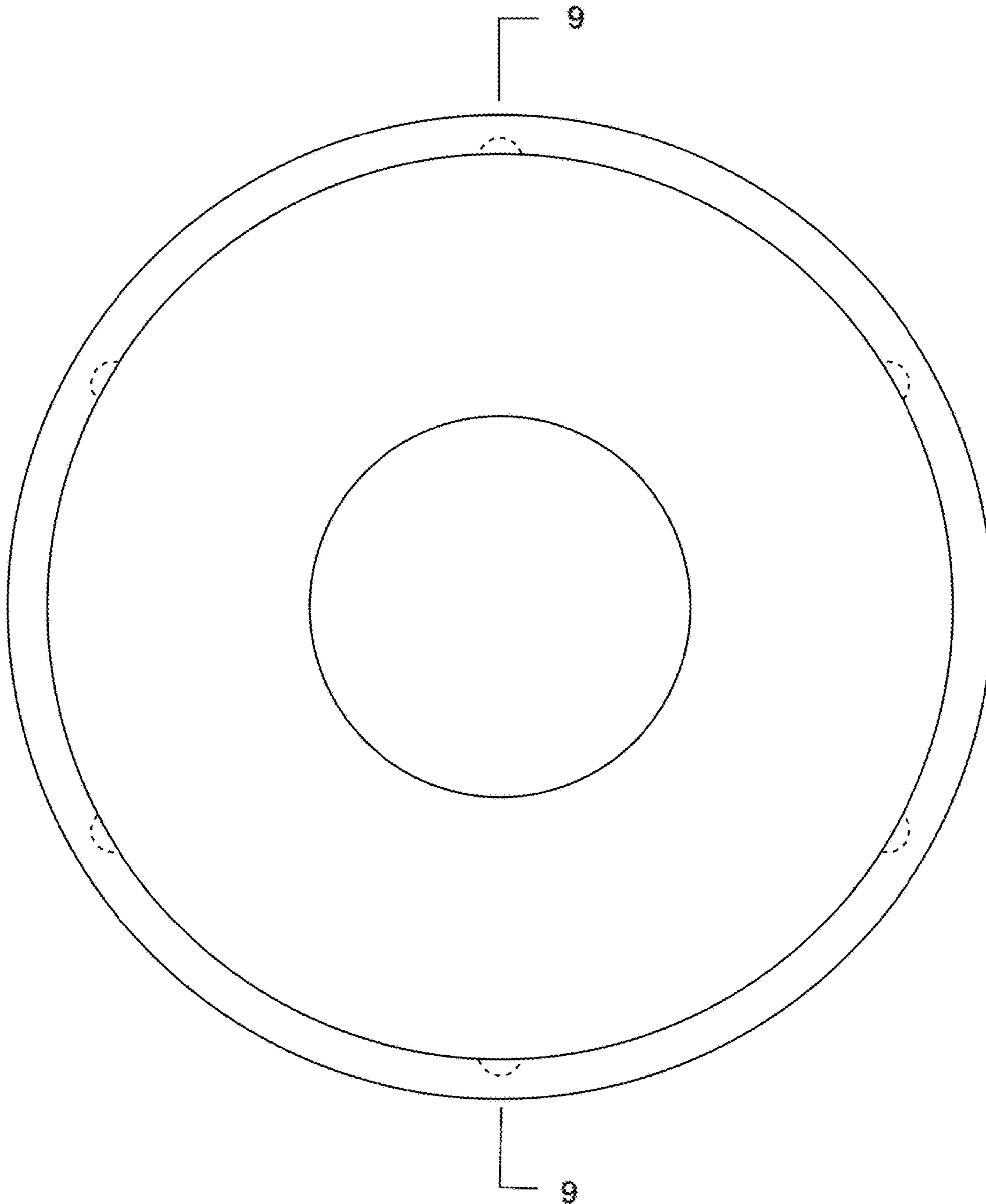


Figure 8

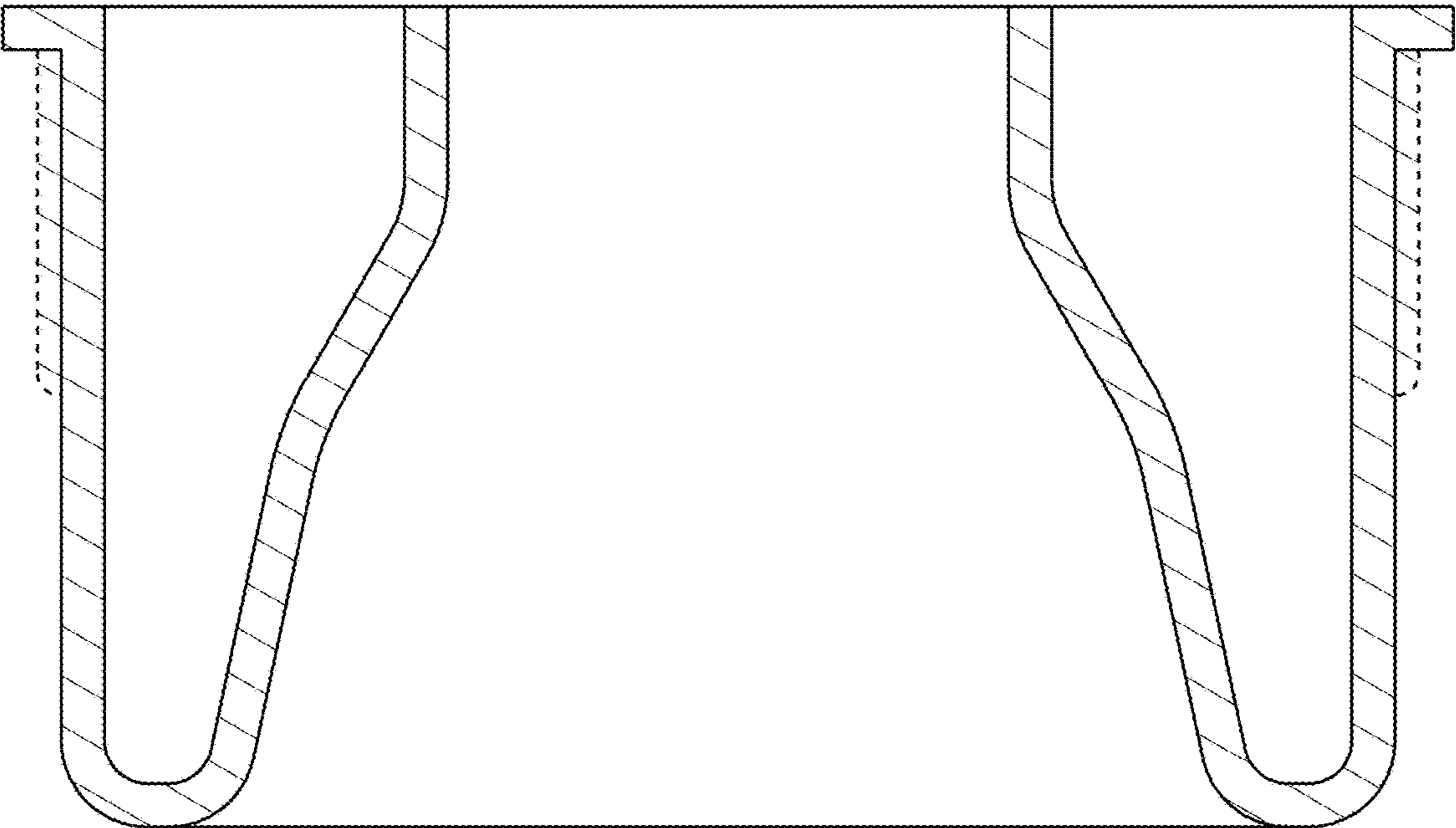


Figure 9