



US00D824759S

(12) **United States Design Patent** (10) **Patent No.:** **US D824,759 S**  
**Ahmed et al.** (45) **Date of Patent:** **\*\* Aug. 7, 2018**

(54) **CONTAINER**

(71) Applicant: **Abbott Laboratories**, Abbott Park, IL (US)

(72) Inventors: **Jameel Ahmed**, Lombard, IL (US);  
**James Perry**, Gahanna, OH (US)

(73) Assignee: **Abbott Laboratories**, Abbott Park, IL (US)

(\*\*) Term: **15 Years**

(21) Appl. No.: **29/596,346**

(22) Filed: **Mar. 7, 2017**

(51) **LOC (11) Cl.** ..... **09-07**

(52) **U.S. Cl.**

USPC ..... **D9/434**

(58) **Field of Classification Search**

USPC ..... D7/391, 392, 392.1, 396.1, 213, 387,  
D7/396.3, 541, 546, 549, 554.2, 554.3,  
(Continued)

(56) **References Cited**

**U.S. PATENT DOCUMENTS**

D31,125 S \* 7/1899 Hampton ..... 211/33  
D39,124 S \* 2/1908 Neidl ..... 16/387  
(Continued)

**OTHER PUBLICATIONS**

Conrad. Command Self-adhesive Cable Clip. 2018 [earliest online date], [site visited Feb. 13, 2018]. Available from Internet, <URL:https://www.conrad.com/ce/en/product/548677/3M-XA004834603-Command-Self-adhesive-Cable-Clip>. (Year: 2018).\*

*Primary Examiner* — Eric L Goodman

*Assistant Examiner* — Darcey E Heflin

(74) *Attorney, Agent, or Firm* — McAndrews, Held & Malloy, Ltd.

(57) **CLAIM**

The ornamental design for a container, as shown and described.

**DESCRIPTION**

FIG. 1 is a top front perspective view of a container showing our new design;

FIG. 2 is a front elevation view thereof;

FIG. 3 is a rear elevation view thereof;

FIG. 4 is a right side elevation view thereof;

FIG. 5 is a left side elevation view thereof;

FIG. 6 is a top plan view thereof;

FIG. 7 is a bottom plan view thereof;

FIG. 8 is a top rear perspective view thereof;

FIG. 9 is a top rear perspective view of the lid portion of the container, shown separately for clarity of illustration;

FIG. 10 is a front elevation view thereof;

FIG. 11 is a rear elevation view thereof;

FIG. 12 is a right side elevation view thereof;

FIG. 13 is a left side elevation view thereof;

FIG. 14 is a top plan view thereof;

FIG. 15 is a bottom plan view thereof;

FIG. 16 is an enlarged view of the portion encircled in FIG. 9;

FIG. 17 is a top rear perspective view of the base portion of the container, shown separately for clarity of illustration;

FIG. 18 is a front elevation view thereof;

FIG. 19 is a rear elevation view thereof;

FIG. 20 is a right side elevation view thereof;

FIG. 21 is a left side elevation view thereof;

FIG. 22 is a top plan view thereof;

FIG. 23 is a bottom plan view thereof; and,

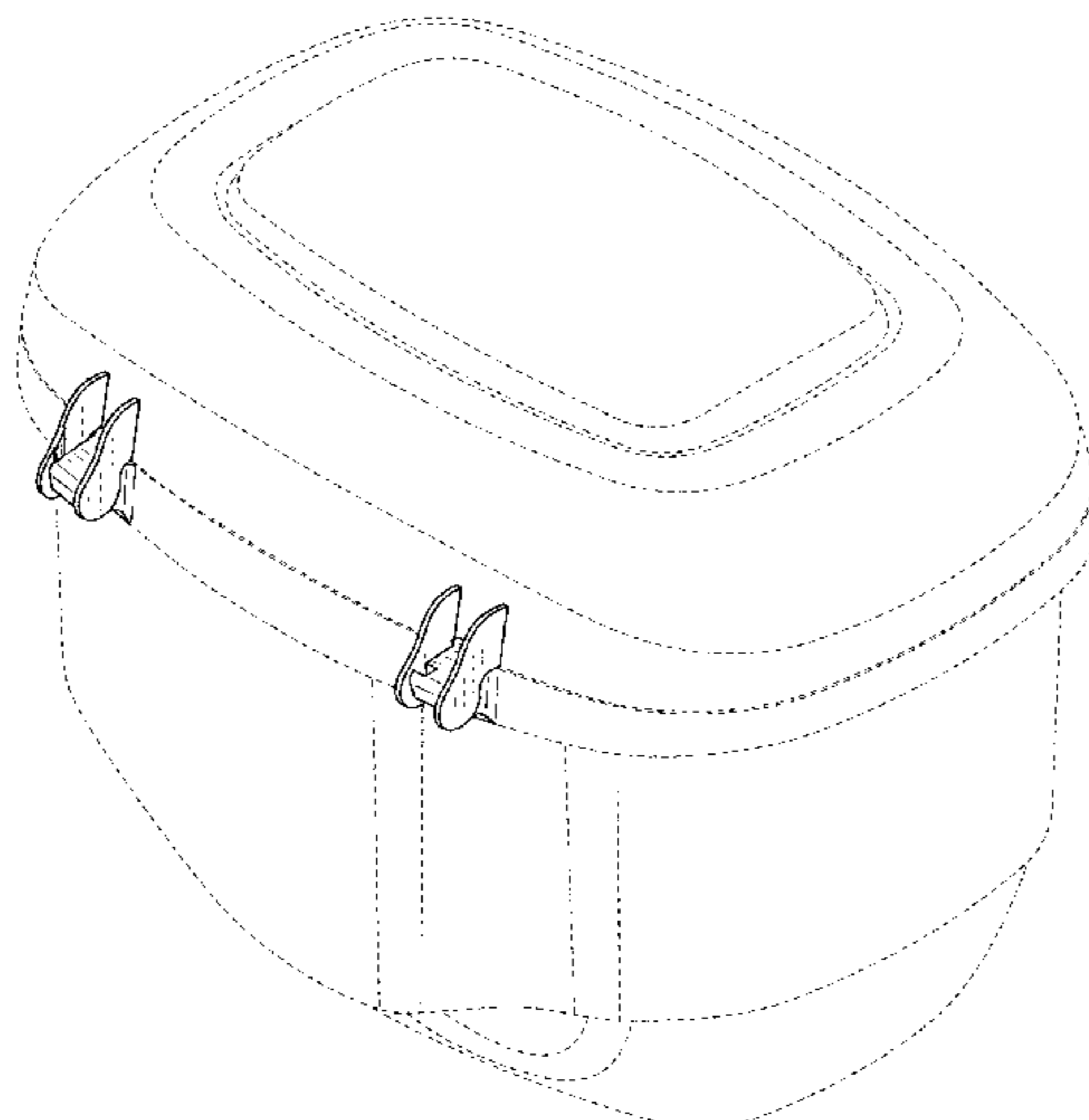
FIG. 24 is an enlarged view of the portion encircled in FIG. 17.

The dashed broken lines in the drawings illustrate portions of the container that form no part of the claimed design.

The dot-dash broken lines in the drawings represent a boundary line that forms no part of the claimed design.

The dot-dot-dash broken lines in the drawings encircle portions of the claimed design that are illustrated in enlargements and form no part of the claimed design.

**1 Claim, 22 Drawing Sheets**



(58) **Field of Classification Search**

USPC ..... D7/601, 602, 605, 701, 703, 705;  
D9/434-436, 438, 443, 447, 455-457,  
D9/499, 414, 418, 420, 423, 424, 426,  
D9/428, 430, 432, 440, 444, 446, 449,  
D9/453, 703, 715-718, 721; D3/202,  
D3/212, 294, 295, 318; D6/323,  
D6/524-528, 534, 535, 556; D8/306,  
D8/323-329, 367  
CPC ..... B65D 17/501; B65D 43/163; B65D  
21/0209; B65D 51/20; B65D 55/02  
See application file for complete search history.

(56) **References Cited**

U.S. PATENT DOCUMENTS

D50,016 S *	12/1916	Egeberg .....	211/42
D147,771 S *	10/1947	Wallack .....	D6/524
D205,682 S *	9/1966	Labell .....	D8/367
D218,616 S *	9/1970	Owen .....	211/74
D254,881 S *	5/1980	Pyskaty .....	D6/526
D300,406 S *	3/1989	Bordian .....	248/304
D451,730 S *	12/2001	Henderson .....	D6/534
D480,245 S *	10/2003	Johansson .....	D6/528
D492,869 S *	7/2004	Henry .....	D6/534
D546,168 S *	7/2007	Marvin .....	D8/367
D553,453 S *	10/2007	Toth .....	D7/701
D607,649 S *	1/2010	Koury .....	D6/323
D729,542 S *	5/2015	Dontfraid .....	D6/534

\* cited by examiner

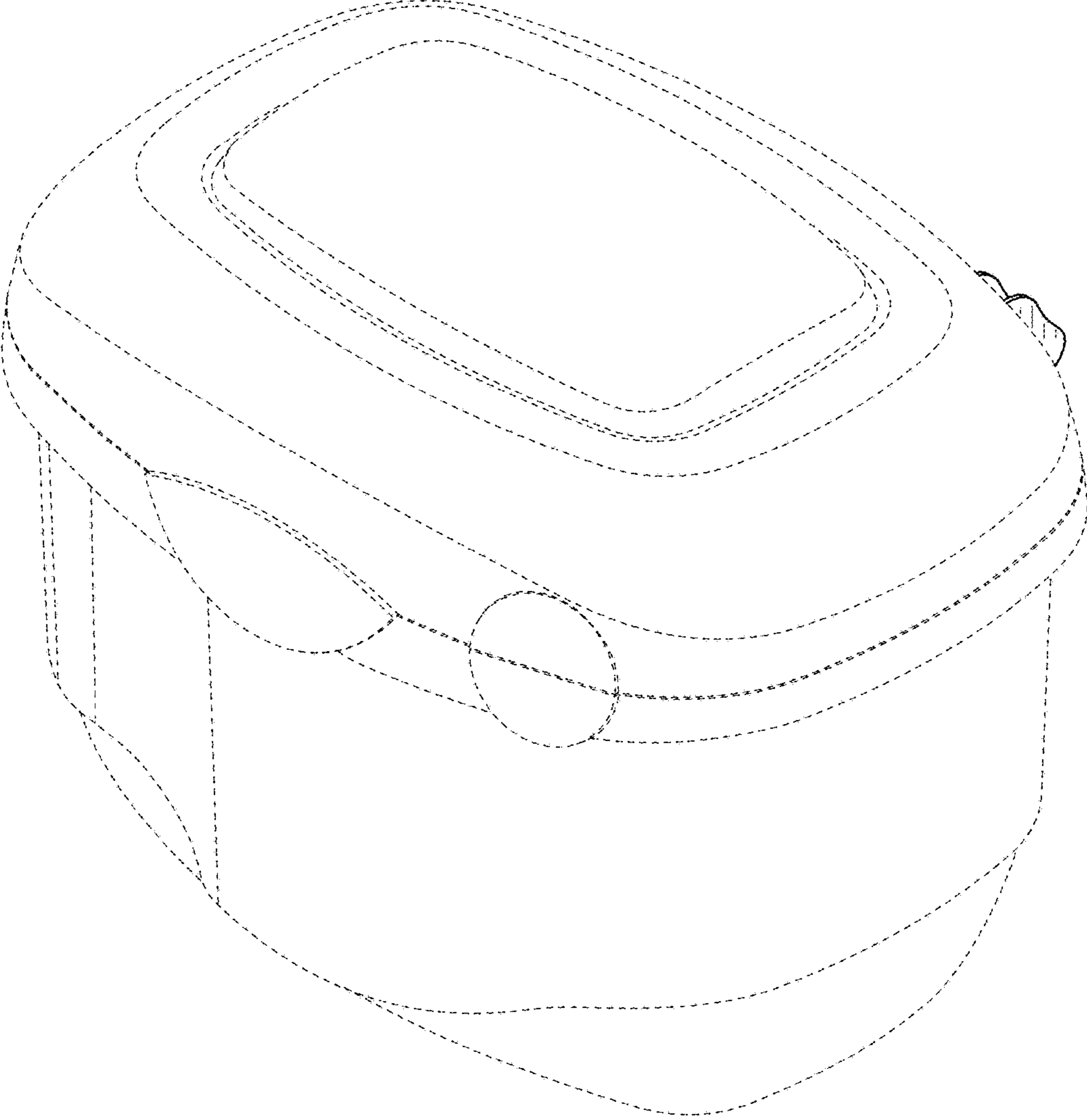


FIG. 1

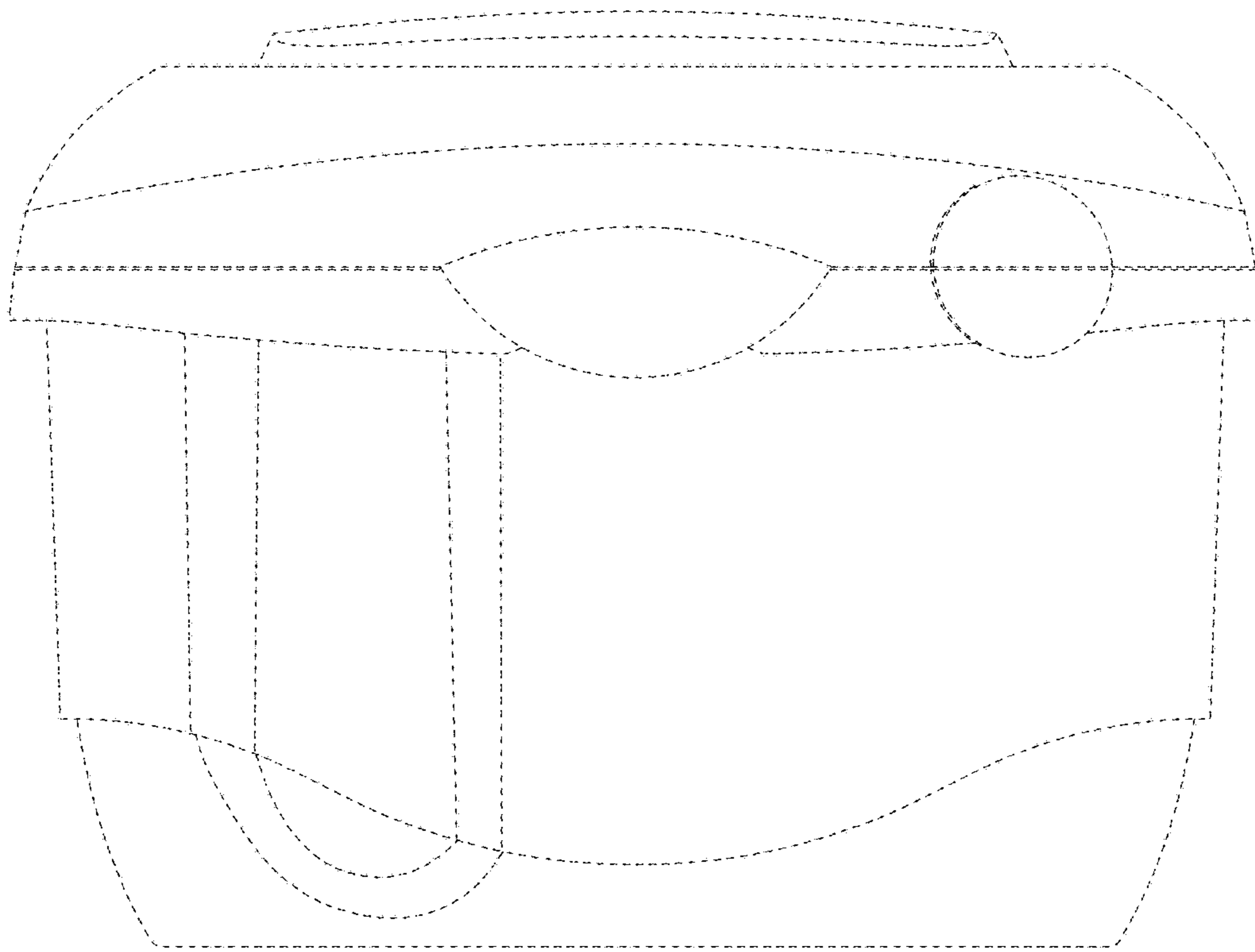


FIG. 2

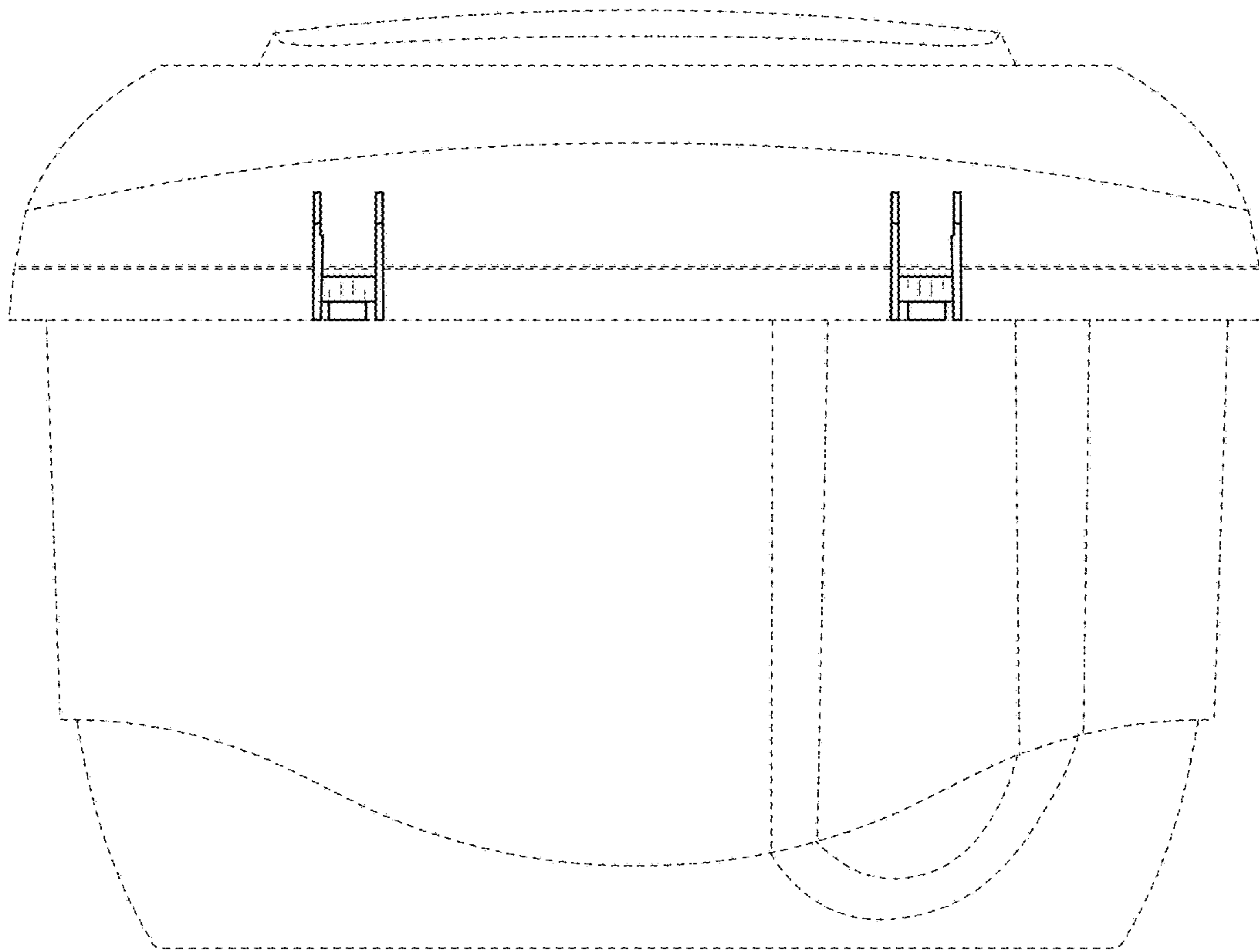


FIG. 3

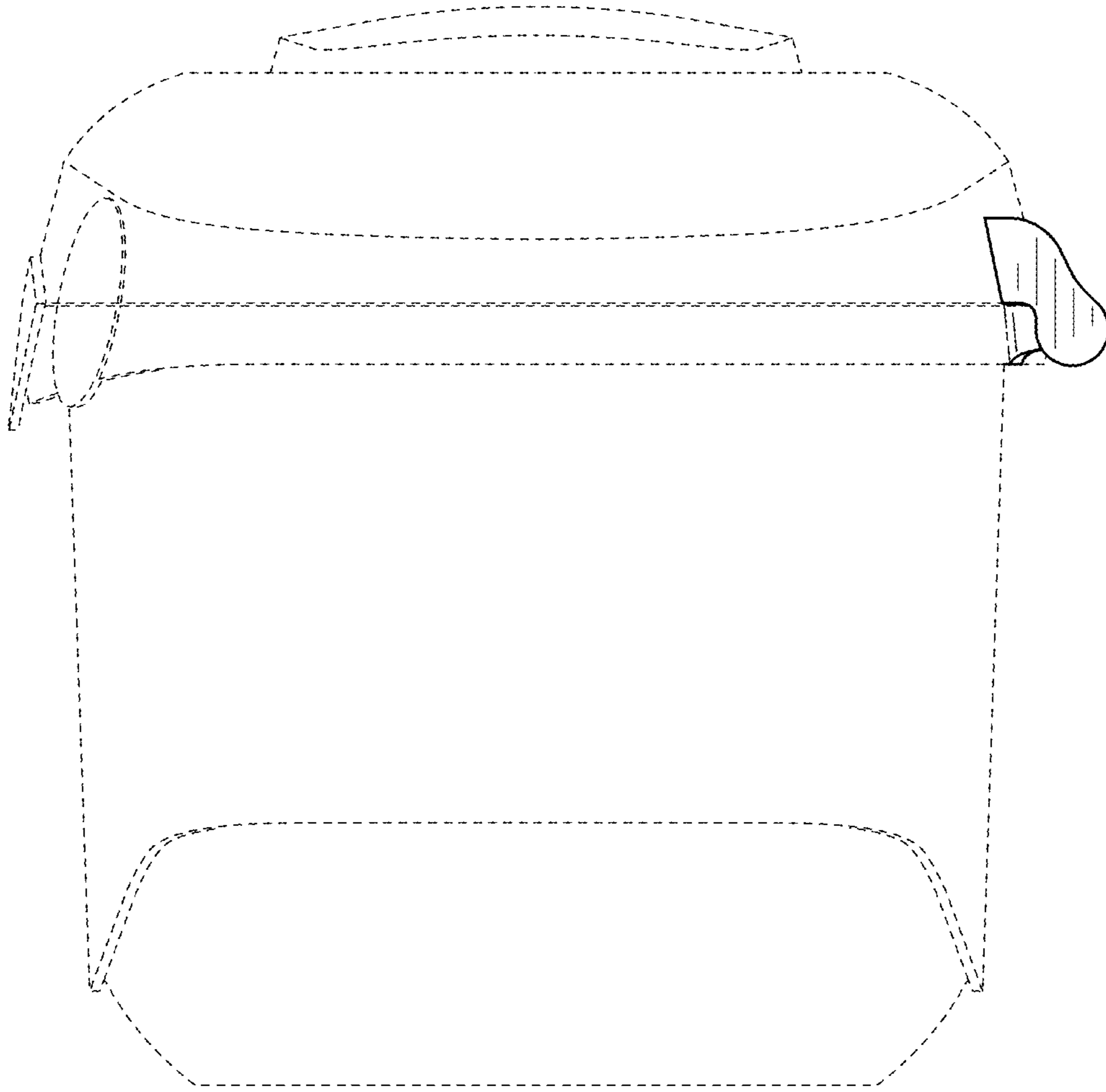


FIG. 4

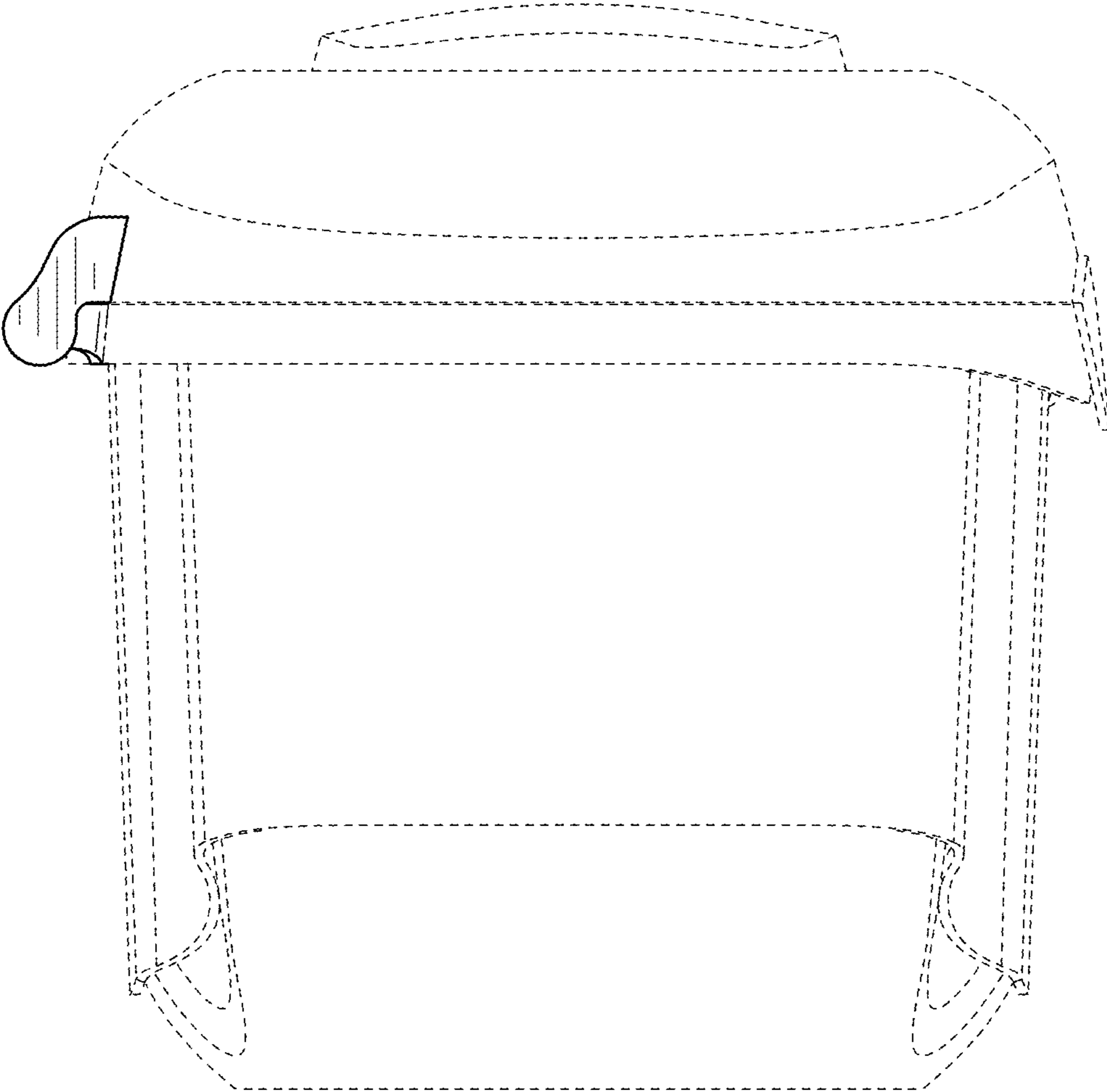


FIG. 5



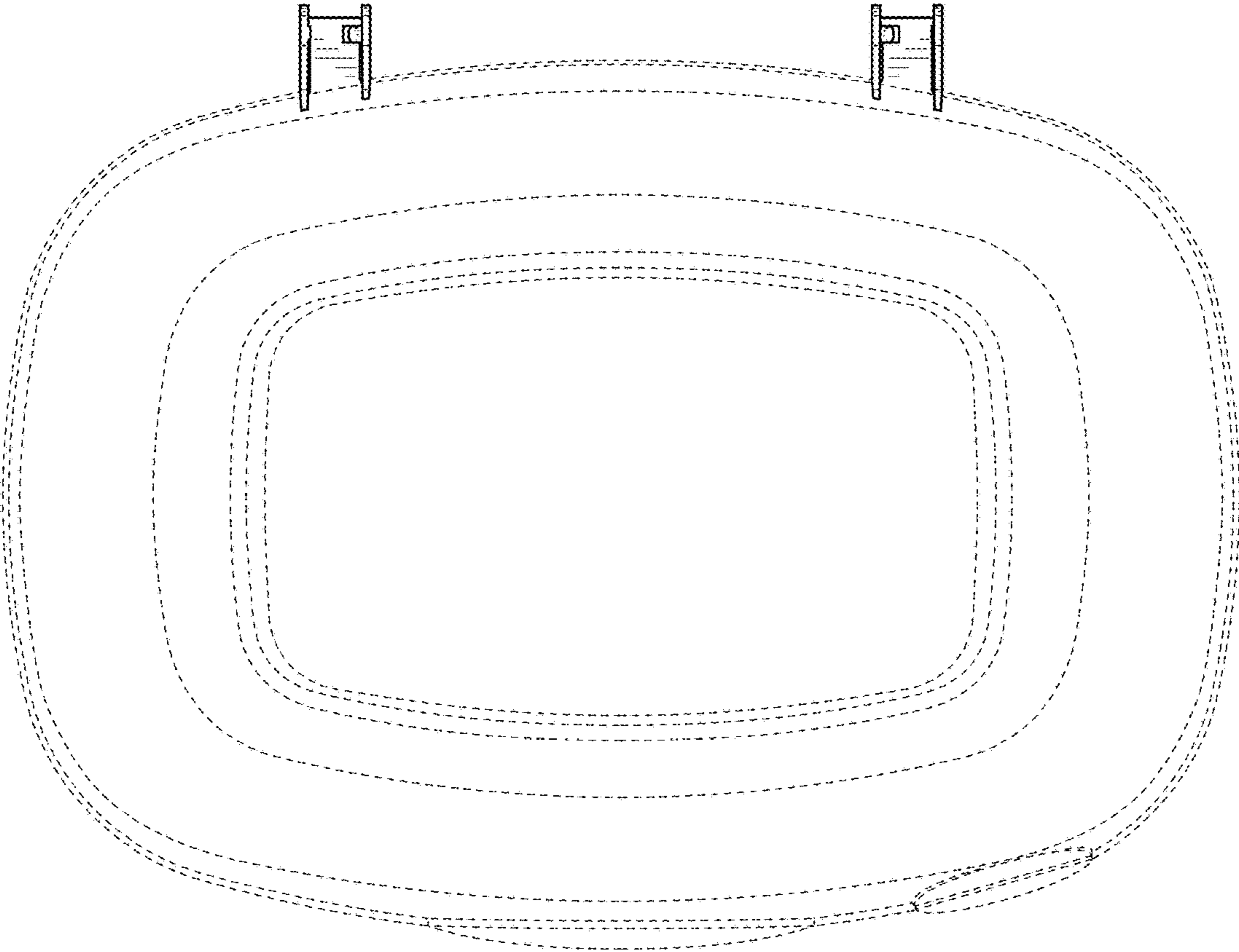


FIG. 6



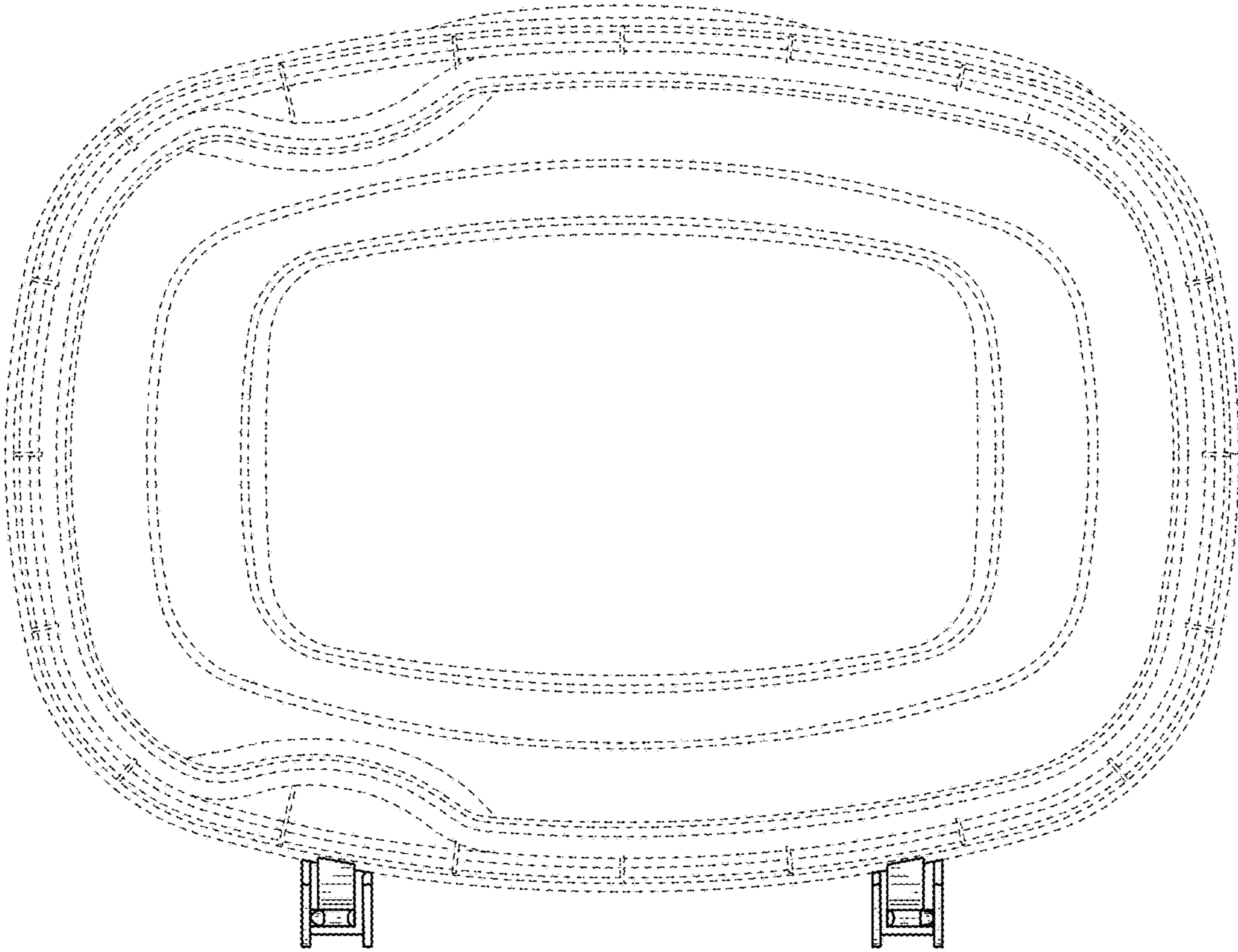


FIG. 7

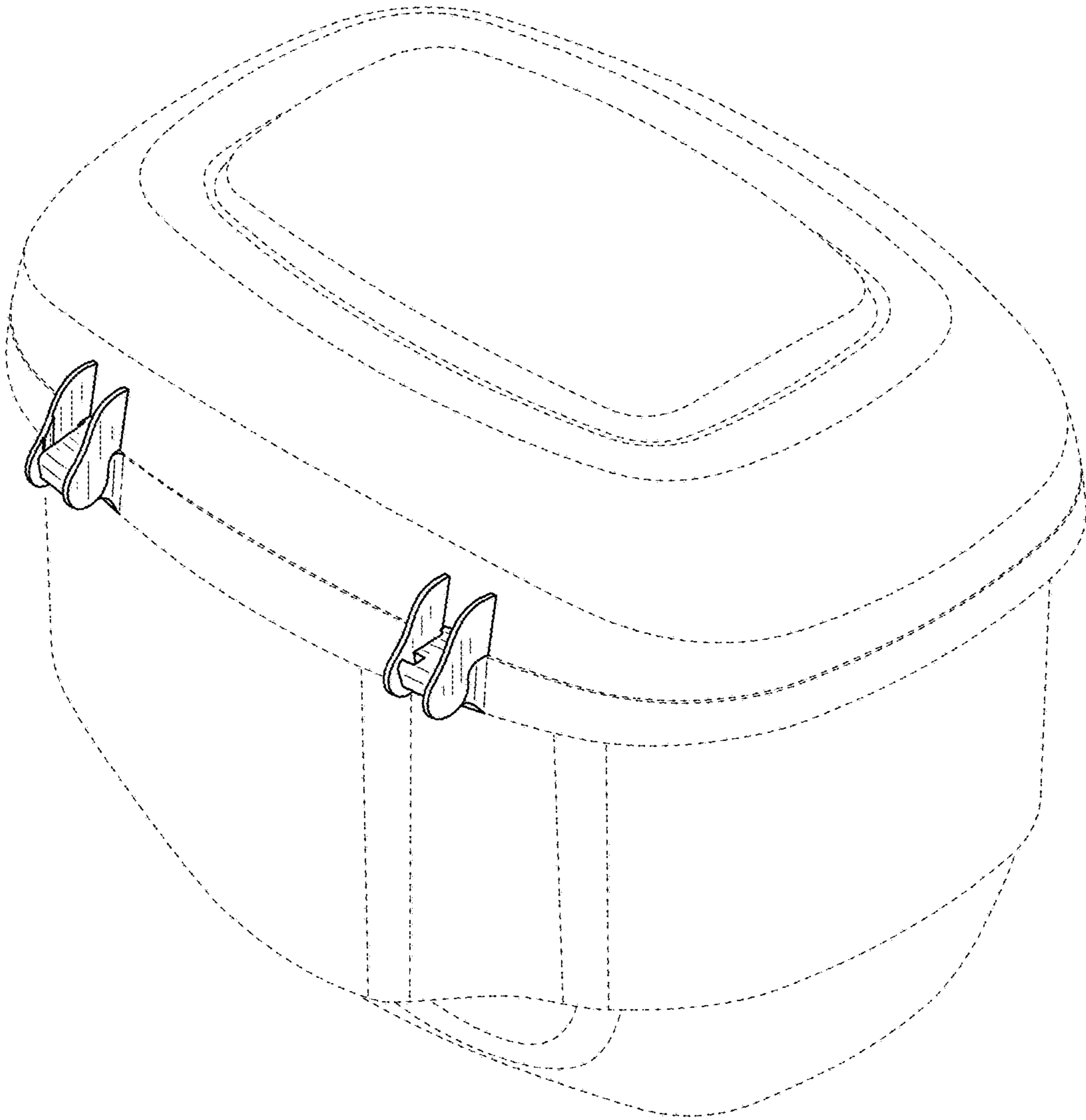


FIG. 8

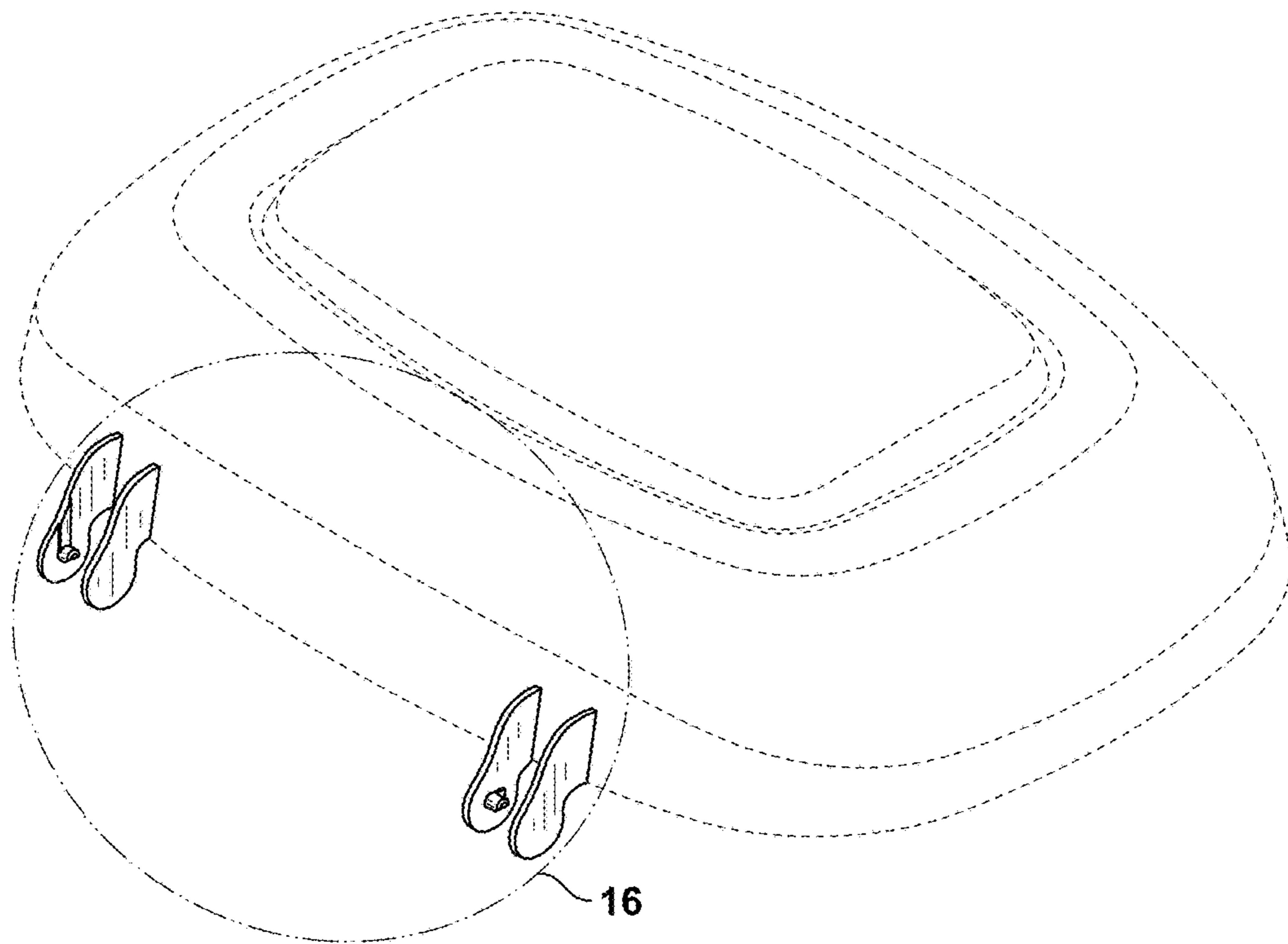


FIG. 9

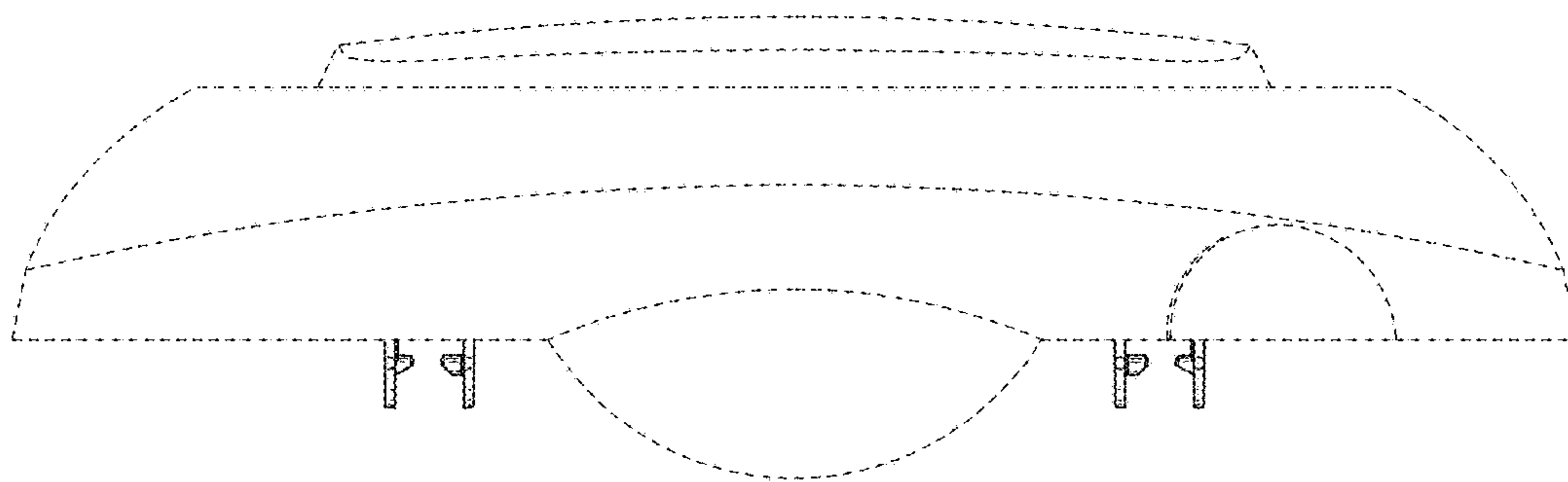


FIG. 10

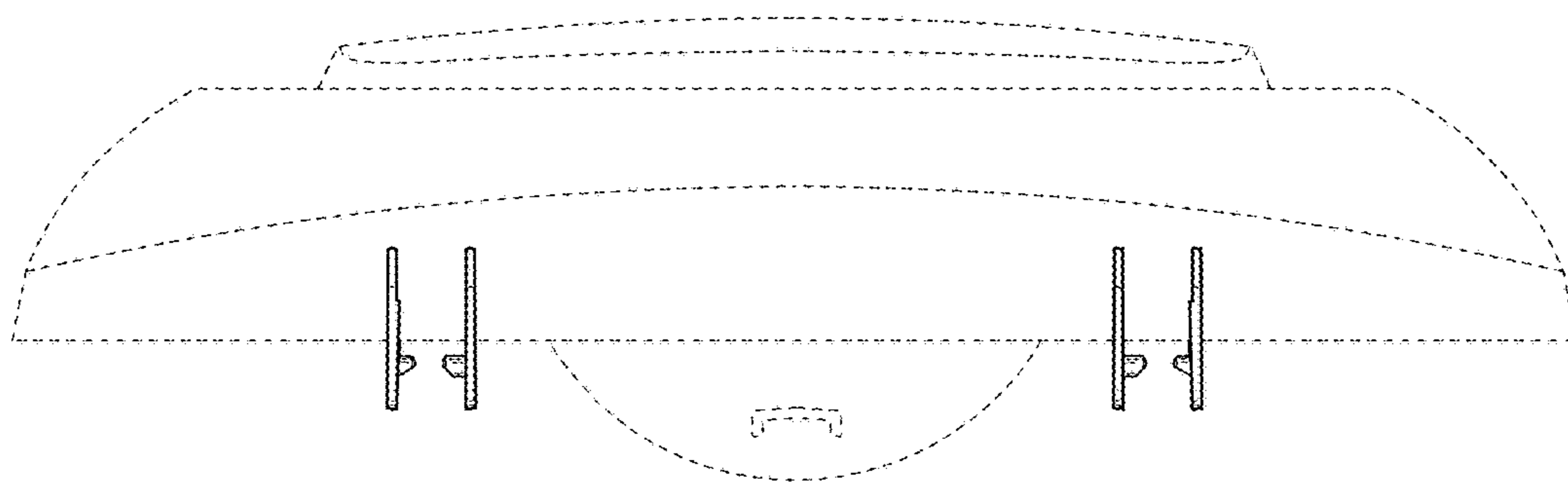


FIG. 11

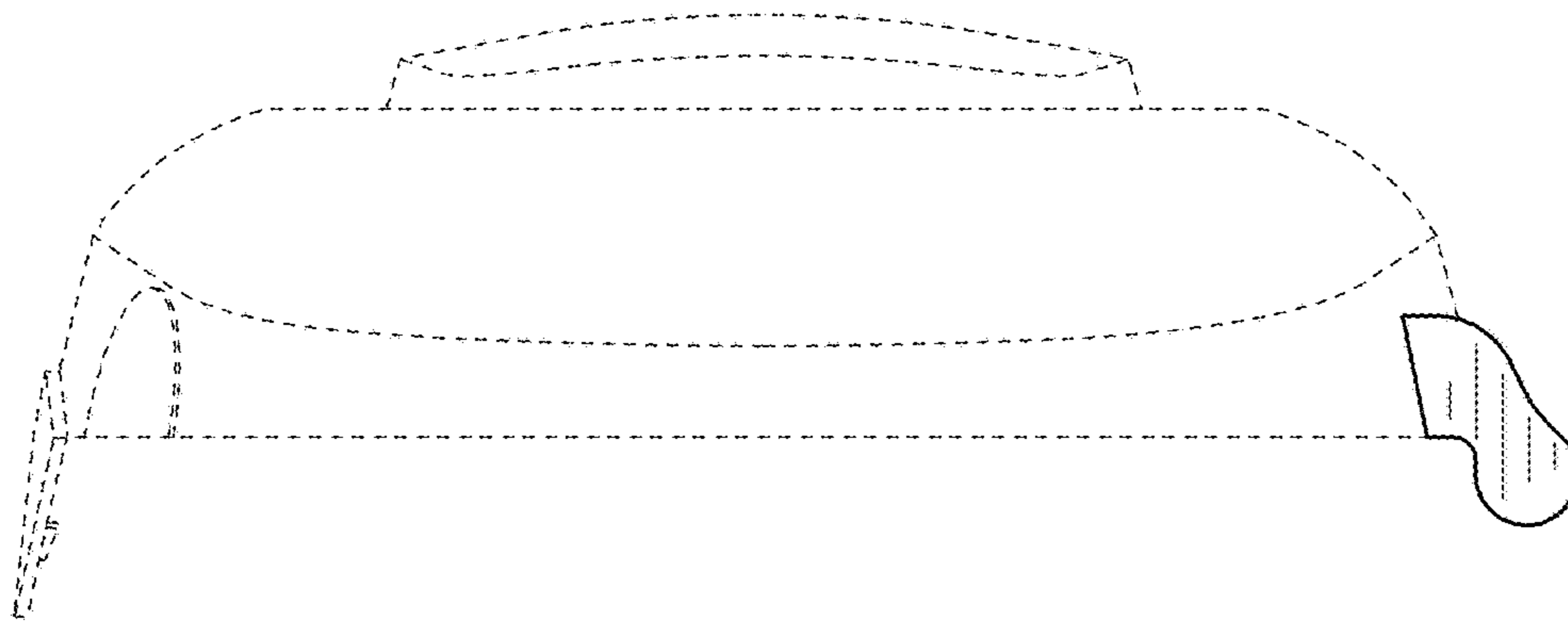


FIG. 12

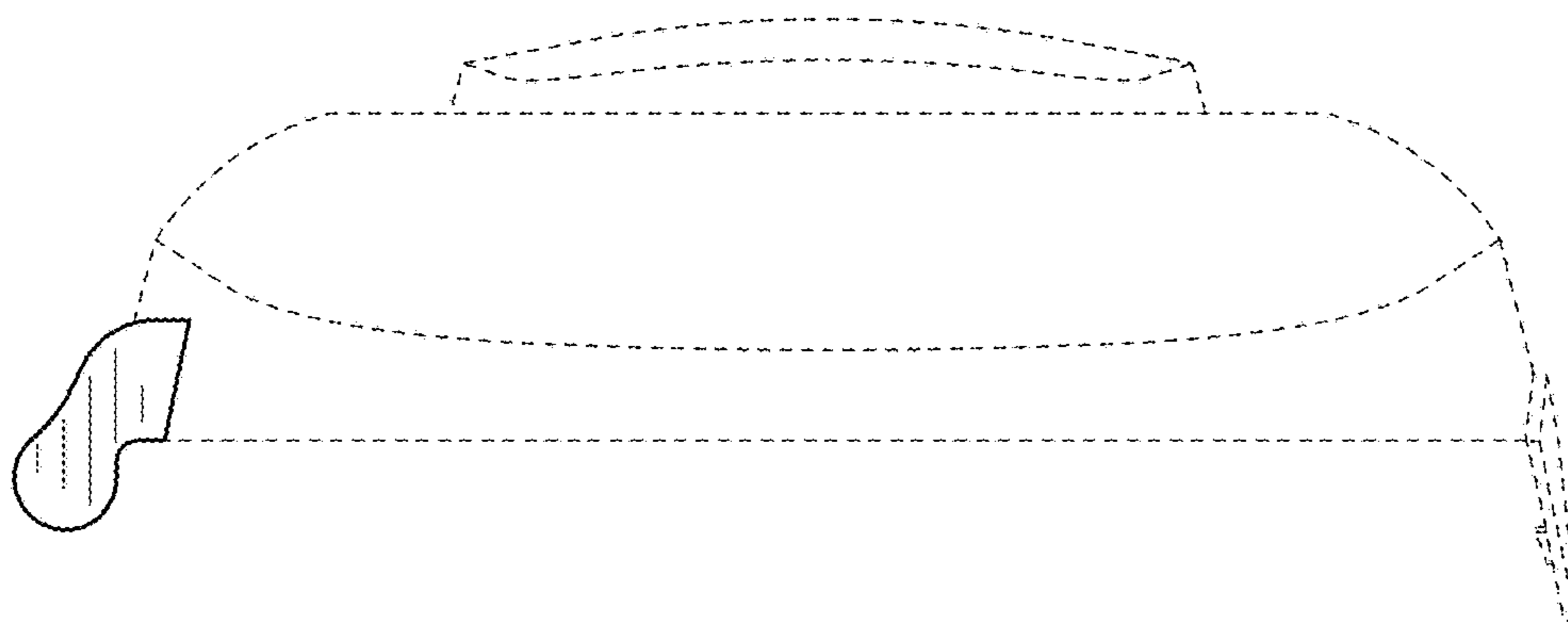


FIG. 13

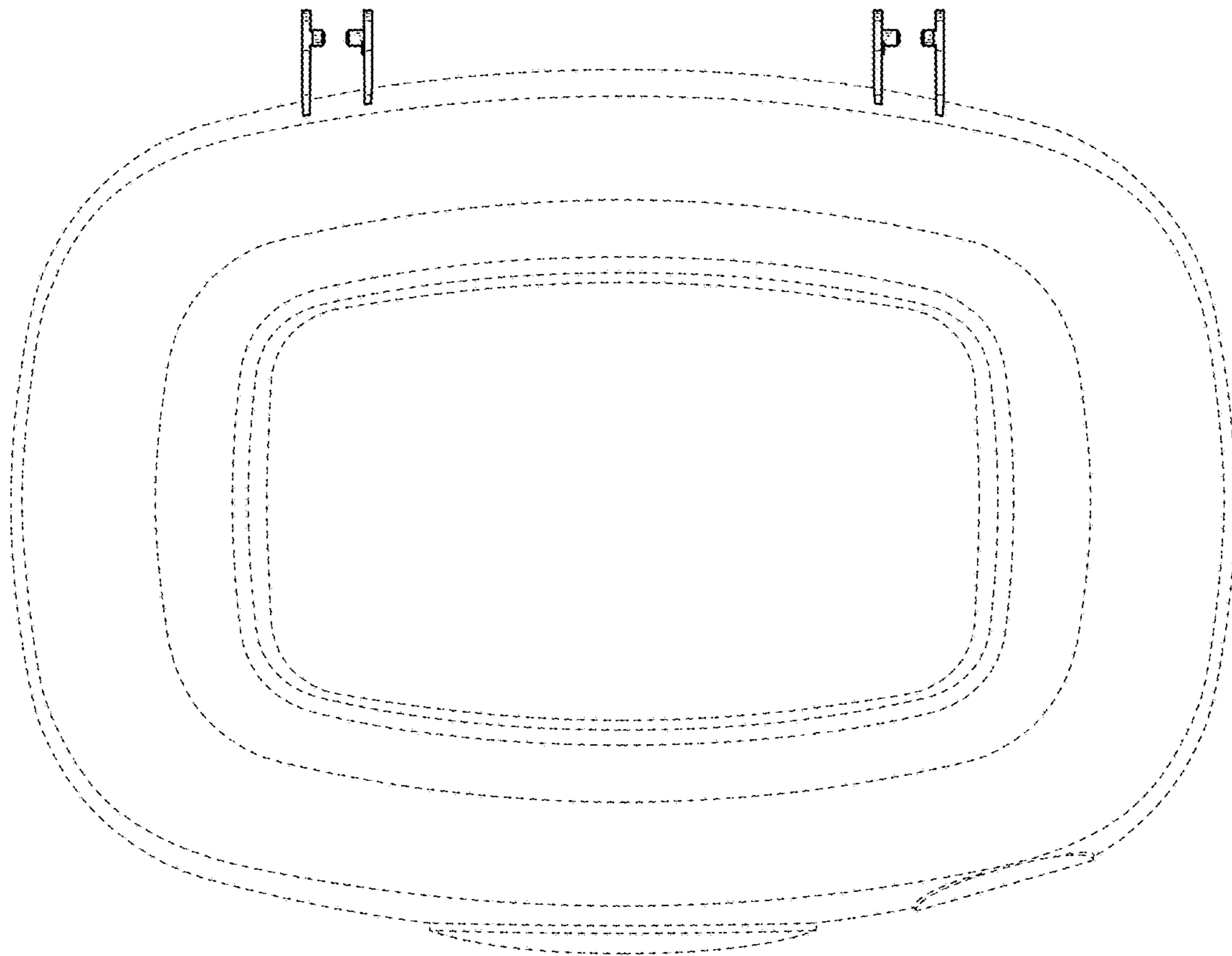


FIG. 14

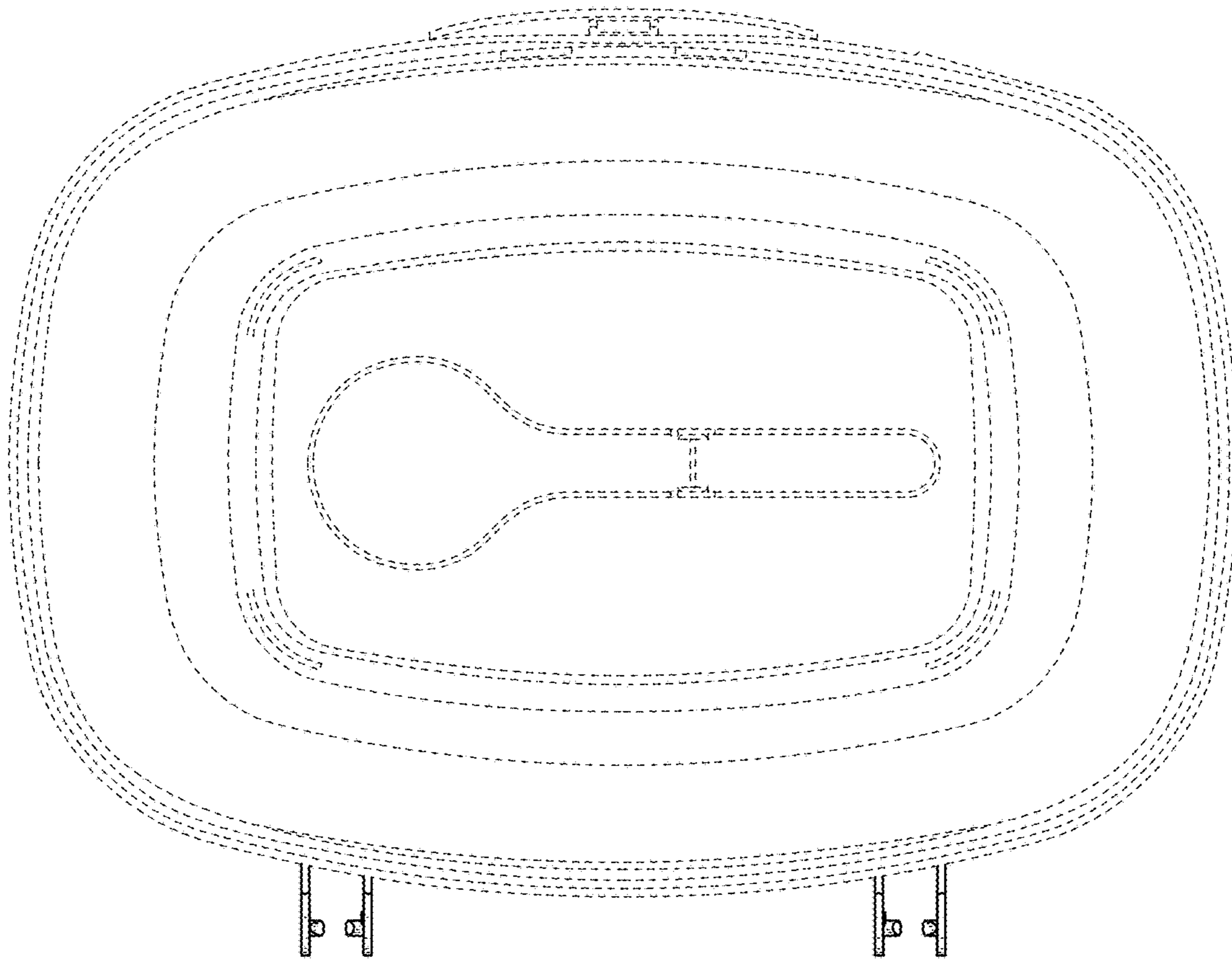


FIG. 15



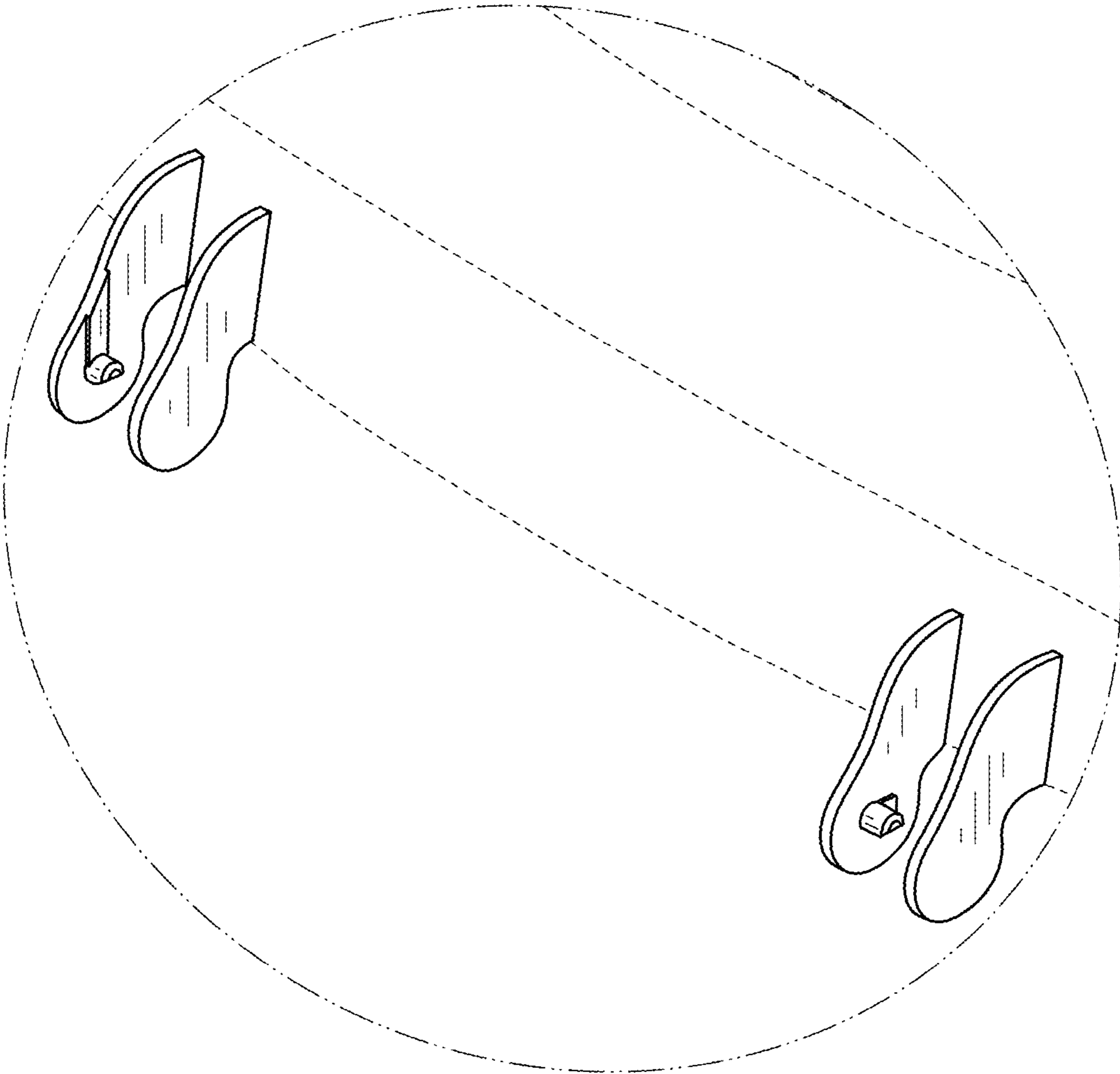


FIG. 16

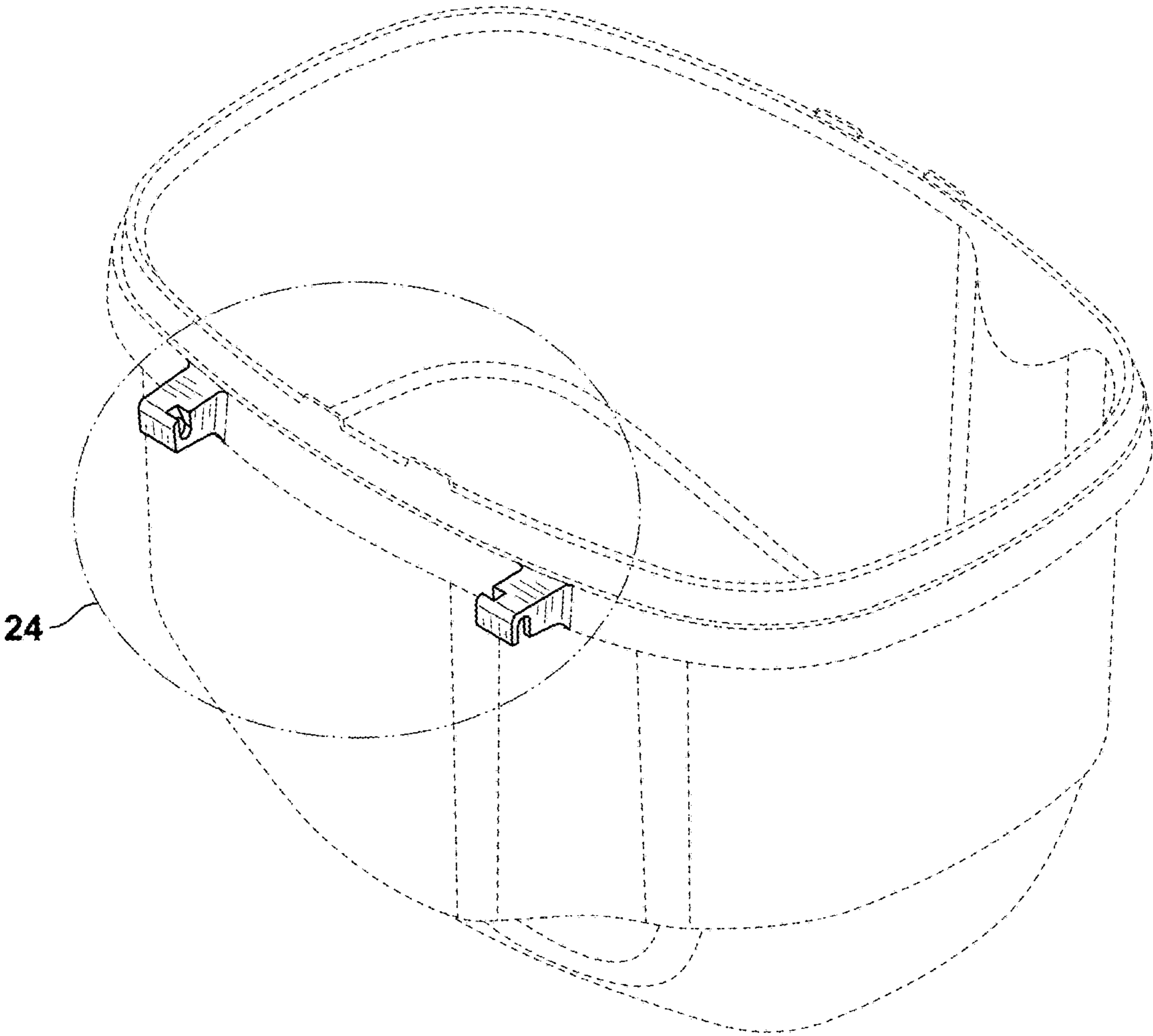


FIG. 17

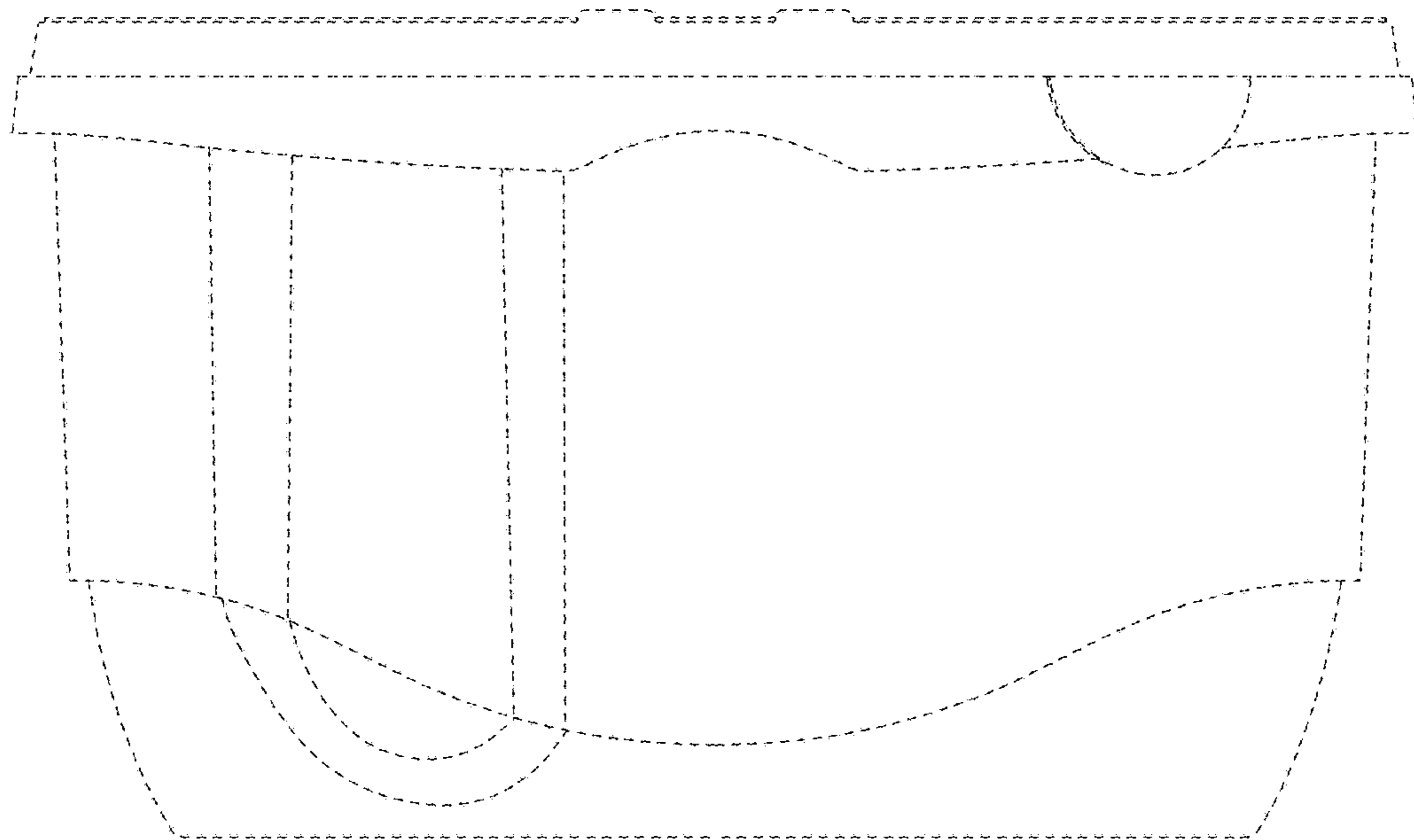


FIG. 18

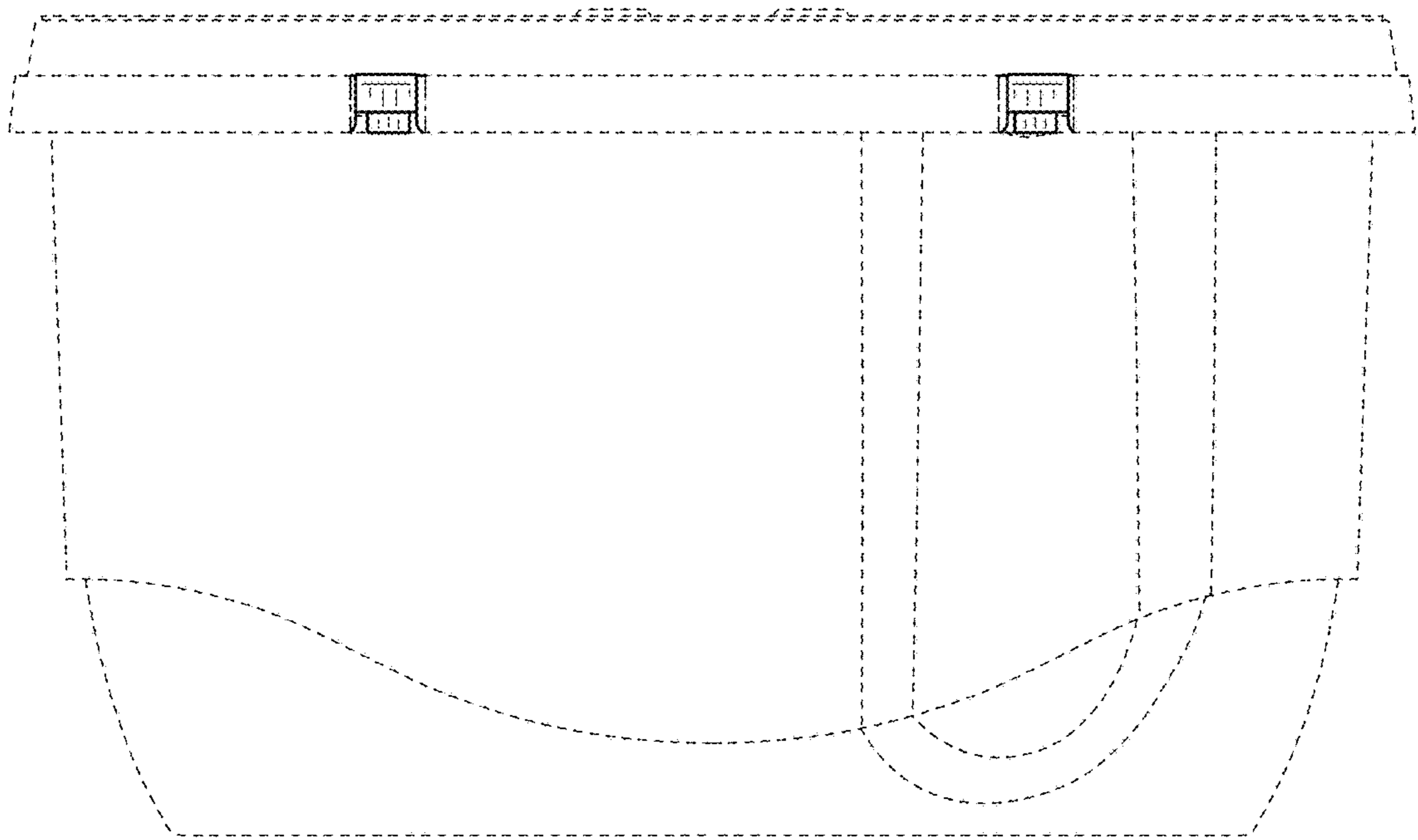


FIG. 19

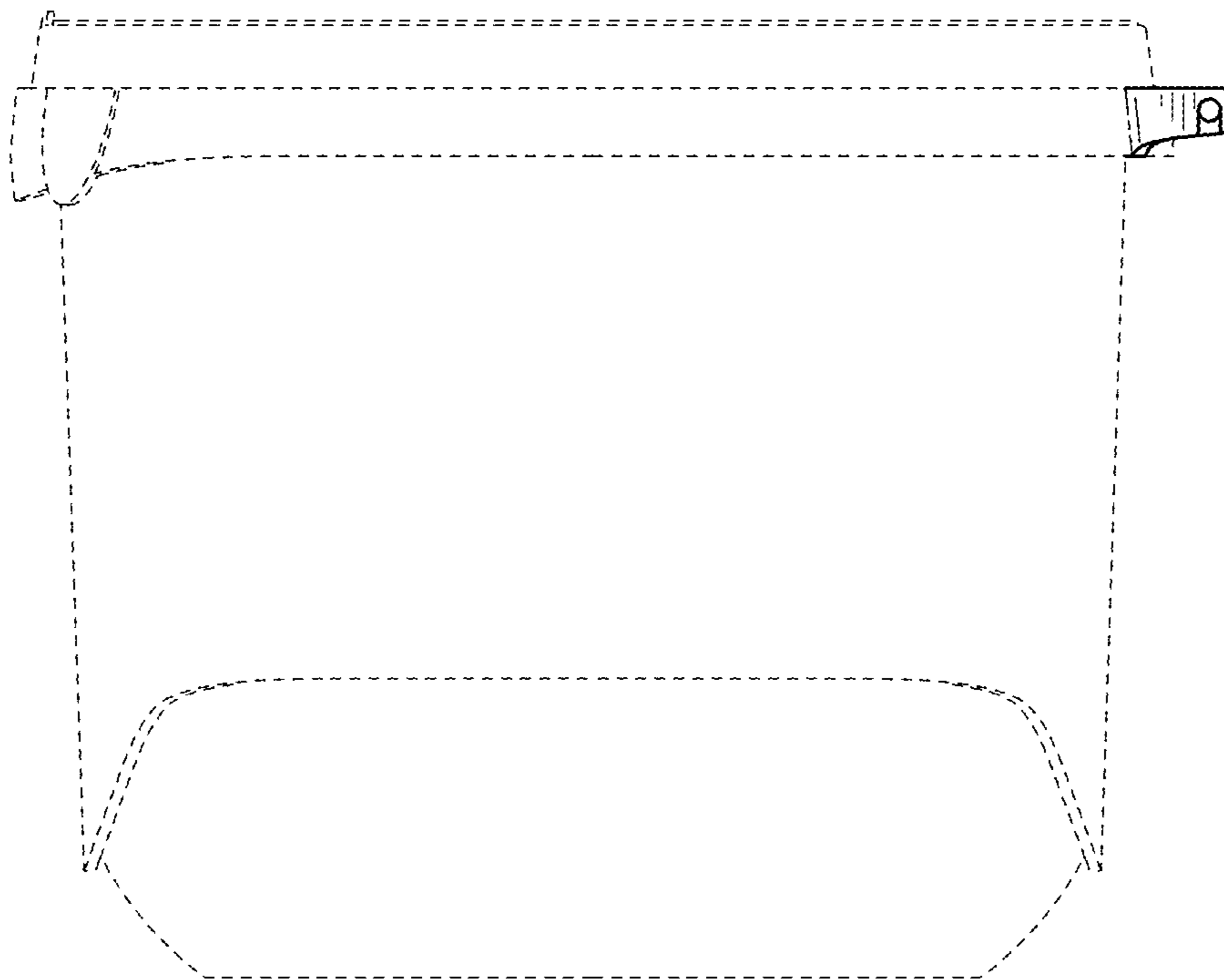


FIG. 20

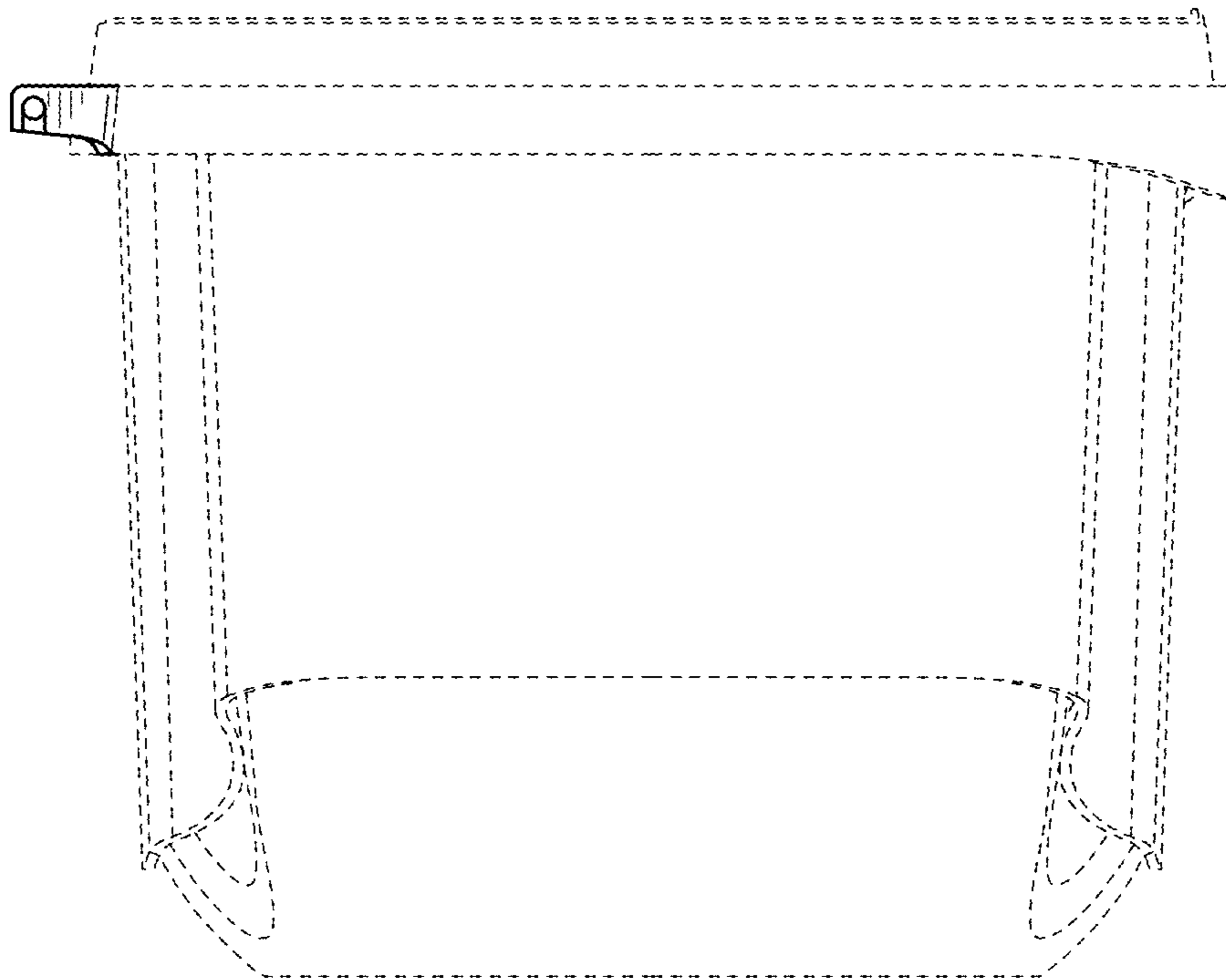


FIG. 21

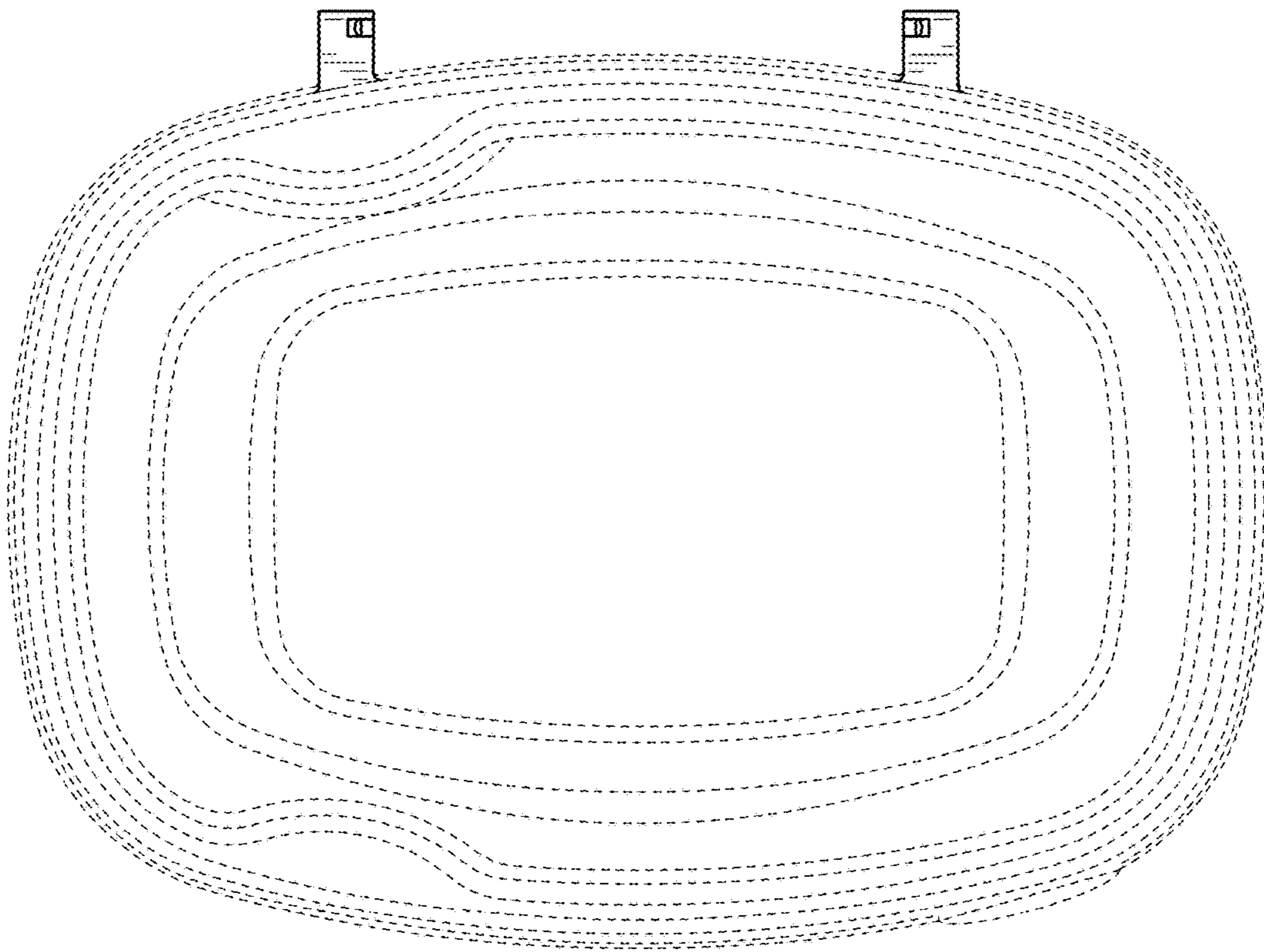


FIG. 22



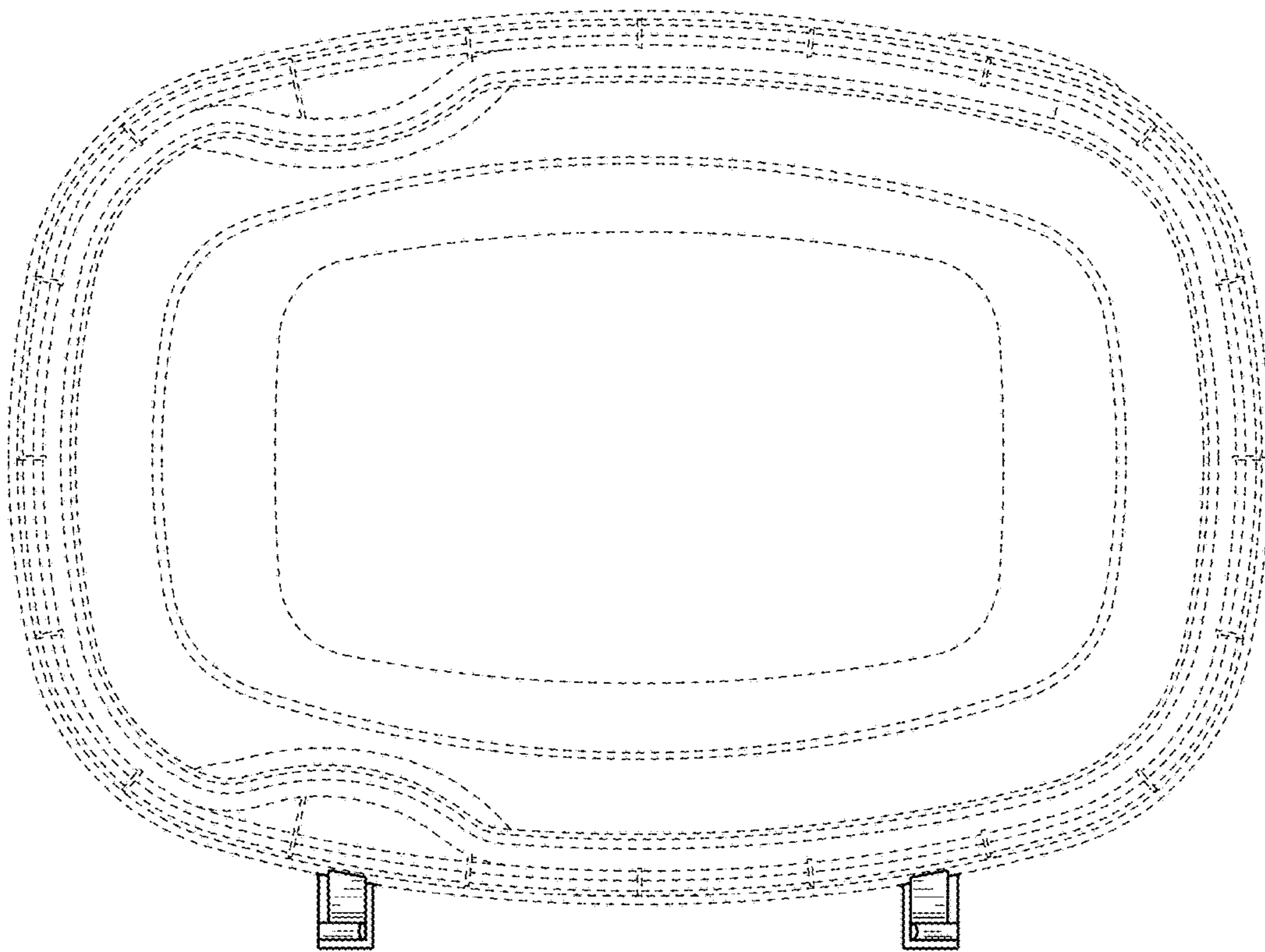


FIG. 23

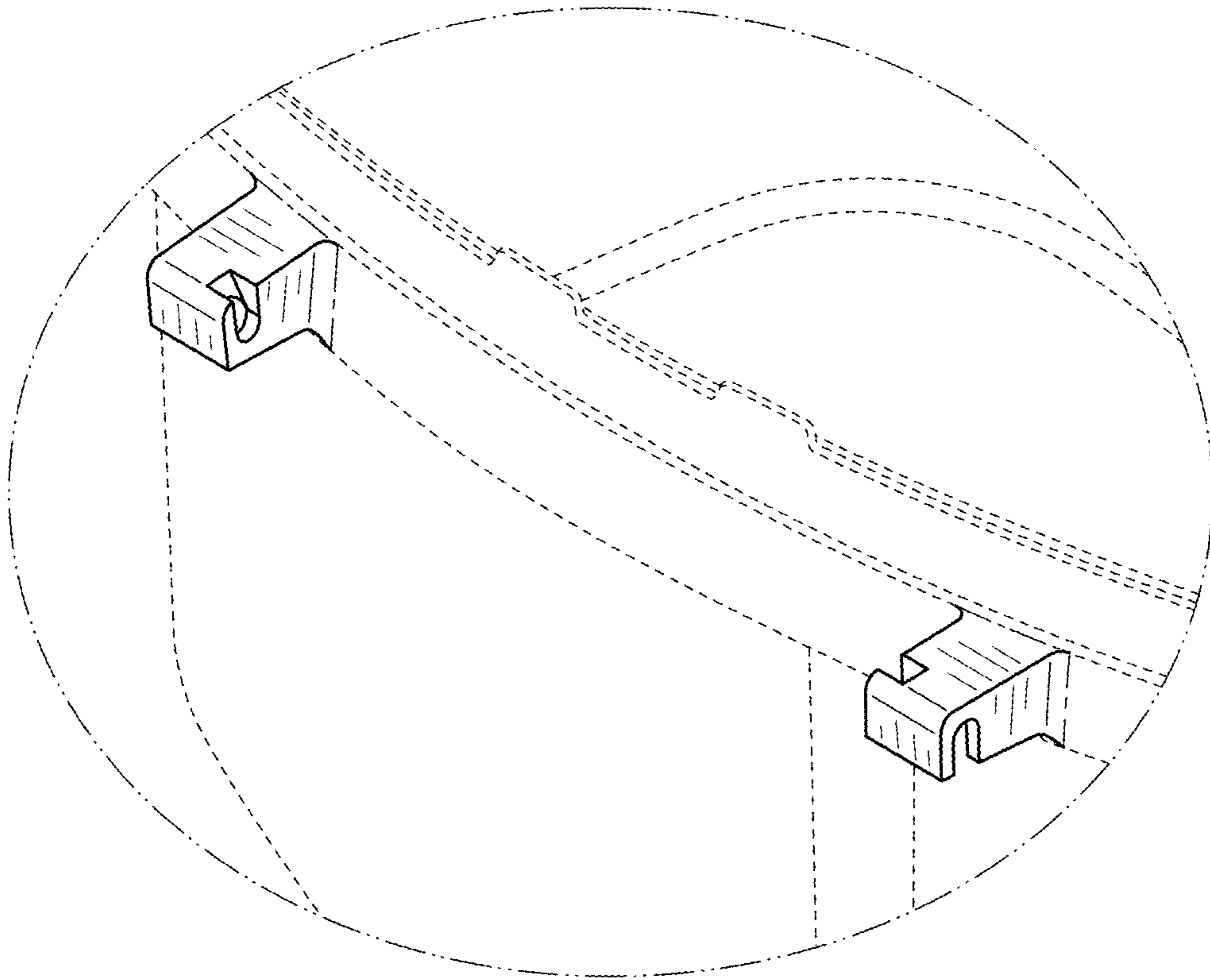


FIG. 24