



US00D824758S

(12) **United States Design Patent**
Baldino et al.

(10) **Patent No.:** **US D824,758 S**
(45) **Date of Patent:** **** Aug. 7, 2018**

(54) **CARTON**

- (71) Applicant: **Graphic Packaging International, Inc.**, Atlanta, GA (US)
- (72) Inventors: **Mark Baldino**, Marietta, GA (US);
Aaron Lee Bates, Kennesaw, GA (US)
- (73) Assignee: **Graphic Packaging International, LLC**, Atlanta, GA (US)
- (**) Term: **15 Years**
- (21) Appl. No.: **29/623,430**
- (22) Filed: **Oct. 25, 2017**

Related U.S. Application Data

- (60) Division of application No. 29/587,937, filed on Dec. 16, 2016, now Pat. No. Des. 811,218, which is a (Continued)
- (51) **LOC (11) Cl.** **09-03**
- (52) **U.S. Cl.**
USPC **D9/416; D9/432**
- (58) **Field of Classification Search**
USPC D9/414-434, 456, 457, 711, 713,
D9/721-722; D20/10, 22, 27, 40, 42
(Continued)

(56) **References Cited**

U.S. PATENT DOCUMENTS

902,347 A	10/1908	Tillinghast
1,541,143 A	6/1925	Hoile

(Continued)

FOREIGN PATENT DOCUMENTS

BE	671 762	3/1966
CA	2 172 379	12/1995

(Continued)

OTHER PUBLICATIONS

International Search Report and Written Opinion for PCT/US2016/031154 dated Aug. 17, 2016.
(Continued)

Primary Examiner — Vy N Koenig
(74) *Attorney, Agent, or Firm* — Womble Bond Dickinson (US) LLP

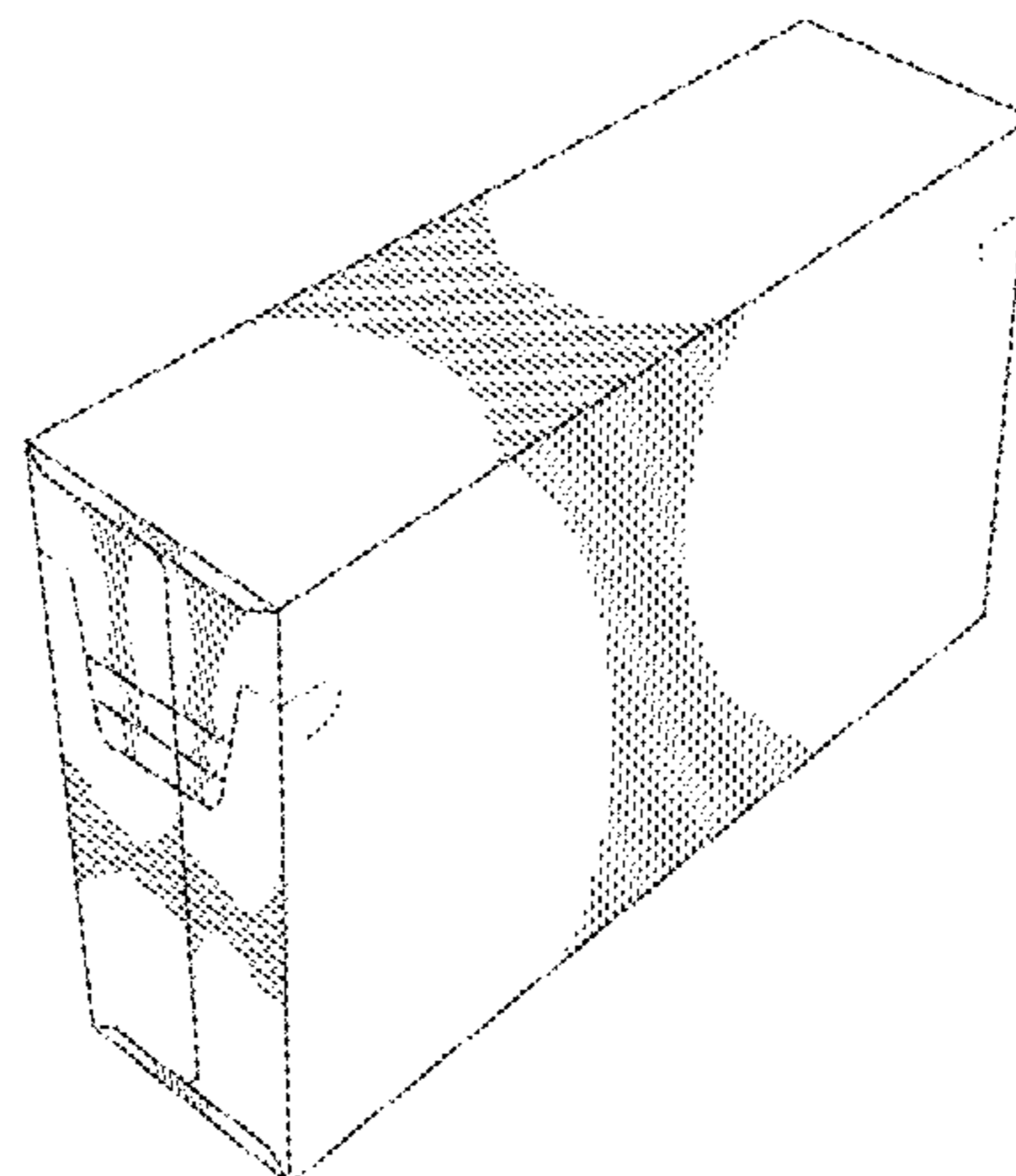
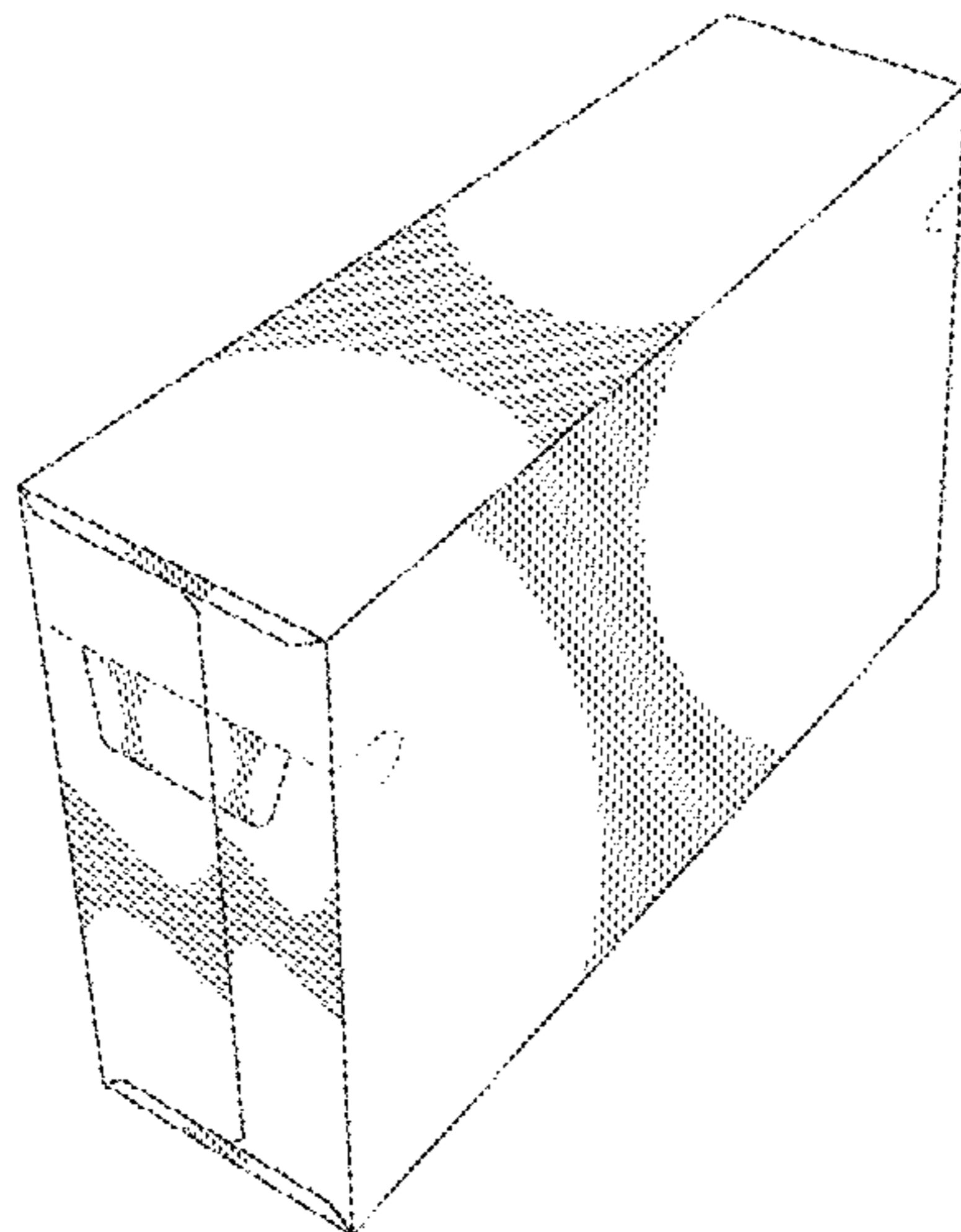
(57) **CLAIM**

The ornamental design for a carton, as shown and described.

DESCRIPTION

FIG. 1 is a perspective view of a carton according to a first embodiment of the disclosure.
 FIG. 2 is a front elevation view of the carton of FIG. 1, the rear elevation view being identical.
 FIG. 3 is a right elevation view of the carton of FIG. 1, the left elevation view being identical.
 FIG. 4 is a top plan view of the carton of FIG. 1, the bottom plan view being a mirror image.
 FIG. 5 is a perspective view of the carton of FIG. 1 in an open configuration.
 FIG. 6 is a front elevation view of the carton of FIG. 1 in an open configuration.
 FIG. 7 is a perspective view of a carton according to a second embodiment of the disclosure.
 FIG. 8 is a front elevation view of the carton of FIG. 7, the rear elevation view being identical.
 FIG. 9 is a right elevation view of the carton of FIG. 7, the left elevation view being identical.
 FIG. 10 is a top plan view of the carton of FIG. 7, the bottom plan view being a mirror image.
 FIG. 11 is a perspective view of the carton of FIG. 7 in an open configuration; and,
 FIG. 12 is a front elevation view of the carton of FIG. 7 in an open configuration.
 The evenly-spaced dashed lines depict environmental subject matter only that forms no part of the claimed design.

1 Claim, 12 Drawing Sheets



Related U.S. Application Data

continuation of application No. 15/148,189, filed on May 6, 2016, now Pat. No. 9,845,182.

- (58) **Field of Classification Search**
 CPC B65D 5/00-5/02; B65D 5/18; B65D 5/20-5/26
 See application file for complete search history.

- (56) **References Cited**

U.S. PATENT DOCUMENTS

1,925,102 A 9/1933 Levkoff
 2,115,673 A 4/1938 Stompe
 2,124,808 A 7/1938 White et al.
 D124,610 S 1/1941 Norton
 2,448,819 A 9/1948 Mitchell
 2,535,880 A 12/1950 Tomkins
 2,554,190 A 5/1951 Hennessey
 2,605,035 A 7/1952 Williamson
 2,718,301 A 9/1955 Palmer
 2,718,313 A 9/1955 O'Neil
 2,723,027 A 11/1955 Guyer
 2,754,047 A 7/1956 Schmidt et al.
 2,756,553 A 7/1956 Ferguson
 2,782,578 A 2/1957 Madden
 2,783,690 A 3/1957 Crary et al.
 2,796,709 A 6/1957 Bolding
 2,798,603 A 7/1957 Grinspoon
 2,800,224 A 7/1957 Taylor et al.
 2,842,304 A 7/1958 Ringler
 2,849,111 A 8/1958 Fielding
 2,854,183 A 9/1958 Srofe
 2,868,431 A 1/1959 Painter
 2,891,361 A 6/1959 Wa
 RE24,667 E 7/1959 Fielding
 2,919,844 A 1/1960 Anderson, Jr.
 2,922,561 A 1/1960 Currivan
 2,928,541 A 3/1960 Fielding
 2,929,497 A 3/1960 De Million-Czarnecki
 2,930,516 A 3/1960 Fowle et al.
 2,974,848 A 3/1961 Fielding
 2,975,891 A 3/1961 Stone
 2,990,097 A 6/1961 Thompson
 3,002,651 A 10/1961 Gauld
 3,018,031 A 1/1962 Ahlbor et al.
 3,060,659 A 10/1962 Blais
 3,080,050 A 3/1963 Fielding
 3,176,902 A 4/1965 Champlin
 3,178,242 A 4/1965 Ellis
 3,207,411 A 9/1965 Farquhar
 3,228,582 A 1/1966 Osberg
 3,237,762 A 3/1966 Wood
 3,252,649 A 5/1966 Graser et al.
 3,263,861 A 8/1966 Carr
 3,265,283 A 8/1966 Farquhar
 RE26,083 E 9/1966 Forrer
 3,300,115 A 1/1967 Schauer
 3,306,519 A 2/1967 Wood
 3,332,594 A 7/1967 Capua
 3,339,723 A 9/1967 Wood
 3,343,660 A 9/1967 Bailey
 3,356,279 A 12/1967 Root
 3,356,283 A 12/1967 Champlin
 3,373,867 A 3/1968 Wood
 3,429,496 A 2/1969 Hickin
 3,447,672 A 6/1969 Bailey et al.
 3,517,858 A 6/1970 Farquhar
 3,540,581 A 11/1970 Koolnis
 3,541,757 A 11/1970 Bertrand
 3,557,521 A 1/1971 Pierce, Jr.
 3,592,000 A 7/1971 Kapare
 3,593,849 A 7/1971 Helms
 3,599,858 A 8/1971 Samsing
 3,635,452 A 1/1972 Helms
 3,669,251 A 6/1972 Phillips
 3,669,342 A 6/1972 Funkhouser

3,669,343 A 6/1972 Howard
 3,688,972 A 9/1972 Mahon
 3,747,835 A 7/1973 Graser
 3,765,527 A 10/1973 Vargo
 3,767,042 A 10/1973 Ganz
 3,807,624 A 4/1974 Funkhouser
 3,894,681 A 7/1975 Arneson et al.
 3,904,036 A 9/1975 Forrer
 3,913,739 A 10/1975 Hennessey
 3,942,631 A 3/1976 Sutherland et al.
 3,963,121 A 6/1976 Kipp
 3,986,319 A 10/1976 Puskarz
 4,000,811 A 1/1977 Hardinson et al.
 4,004,500 A 1/1977 Wood
 D243,508 S 3/1977 Killy
 4,010,593 A 3/1977 Graham
 4,030,596 A 6/1977 Snyder et al.
 4,096,985 A 6/1978 Wood
 4,098,050 A 7/1978 Dietz
 4,101,069 A 7/1978 Wood
 4,149,355 A 4/1979 Clegg
 D252,259 S 7/1979 Rinehart
 4,200,220 A 4/1980 Ganz
 4,202,446 A 5/1980 Sutherland
 4,214,660 A 7/1980 Hunt, Jr.
 4,216,861 A 8/1980 Oliff
 4,222,485 A 9/1980 Focke
 D261,861 S 11/1981 Carter
 D263,204 S 3/1982 Dutcher
 4,318,474 A 3/1982 Hasegawa
 4,325,482 A 4/1982 Feeser
 4,328,893 A 5/1982 Oliff et al.
 4,364,509 A 12/1982 Holley, Jr. et al.
 4,375,258 A 3/1983 Crayne et al.
 D269,068 S 5/1983 Mann et al.
 4,394,903 A 7/1983 Bakx
 D270,041 S 8/1983 Vestal
 4,396,143 A 8/1983 Killy
 4,416,410 A 11/1983 Herrmann
 4,417,655 A 11/1983 Forbes, Jr.
 4,417,661 A 11/1983 Roccaforte
 4,421,232 A 12/1983 Konaka
 4,424,901 A 1/1984 Lanier
 4,440,340 A 4/1984 Bakx
 4,465,180 A 8/1984 Klygis
 4,482,090 A 11/1984 Milliens
 4,498,581 A 2/1985 Dutcher
 4,508,258 A 4/1985 Graser
 4,519,182 A 5/1985 Lever et al.
 4,523,676 A 6/1985 Barrash
 4,566,593 A 1/1986 Muller
 4,577,762 A 3/1986 Kuchenbecker
 4,582,199 A 4/1986 Schuster
 D286,987 S 12/1986 Golan et al.
 4,726,471 A 2/1988 Whately et al.
 4,735,315 A 4/1988 Oliff et al.
 4,742,915 A 5/1988 Ringer
 4,747,485 A 5/1988 Chaussadas
 4,747,487 A 5/1988 Wood
 4,756,139 A 7/1988 Le Bras
 4,756,419 A 7/1988 Le Bras
 4,784,266 A 11/1988 Chaussadas
 4,785,991 A 11/1988 Schuster
 4,804,089 A 2/1989 Wilson
 4,817,797 A 4/1989 Hamelin
 D303,090 S 8/1989 Armor et al.
 4,860,943 A 8/1989 Cooper
 4,860,944 A 8/1989 Wonnacott
 4,875,585 A 10/1989 Kadleck et al.
 4,890,440 A 1/1990 Romagnoli
 4,901,849 A 2/1990 Wilson
 4,919,266 A 4/1990 McIntosh, Jr. et al.
 4,949,845 A 8/1990 Dixon
 4,966,324 A 10/1990 Steel
 4,972,991 A 11/1990 Schuster
 4,974,771 A 12/1990 Lavery
 4,981,253 A 1/1991 Quaintenance
 5,000,313 A 3/1991 Oliff
 5,002,186 A 3/1991 Cooper

(56)

References Cited

U.S. PATENT DOCUMENTS

5,031,825 A	7/1991	Romagnoli	6,019,220 A	2/2000	Sutherland
5,042,660 A	8/1991	Carver	6,021,898 A	2/2000	Sutherland
5,060,792 A	10/1991	Oliff	6,021,899 A	2/2000	Sutherland
5,067,615 A	11/1991	Davitian	6,039,181 A	3/2000	Whiteside
5,094,347 A	3/1992	Schuster	6,085,969 A	7/2000	Burgoyne
5,101,642 A	4/1992	Alexandrov	6,105,338 A	8/2000	Kalany
5,107,986 A	4/1992	Cooper	6,105,854 A	8/2000	Spivey
5,123,589 A	6/1992	Cote	6,109,438 A	8/2000	Sutherland
5,131,588 A	7/1992	Oliff	6,155,480 A	12/2000	Botsford et al.
5,137,211 A	8/1992	Summer et al.	6,158,586 A	12/2000	Muller
5,170,934 A	12/1992	Lemoine	D436,859 S	1/2001	Botsford et al.
5,180,100 A	1/1993	Shimizu	6,176,419 B1	1/2001	Holley, Jr.
D332,915 S	2/1993	Hoell et al.	6,227,367 B1	5/2001	Harrelson et al.
5,195,676 A	3/1993	LeBras	6,241,083 B1	6/2001	Harrelson
5,197,656 A	3/1993	Hoell et al.	D446,114 S	8/2001	Stephens
5,246,112 A	9/1993	Stout et al.	6,283,293 B1	9/2001	Lingamfelter
5,277,360 A	1/1994	DeMott	6,289,651 B1	9/2001	Le Bras
5,279,440 A	1/1994	Fougeres et al.	6,315,123 B1	11/2001	Ikeda
5,284,292 A	2/1994	Johnson	D454,784 S	3/2002	Oram
5,297,673 A	3/1994	Sutherland	6,378,697 B1	4/2002	Sutherland et al.
5,333,734 A	8/1994	Stout et al.	6,378,765 B1	4/2002	Sutherland
5,351,878 A	10/1994	Cooper	6,386,369 B2	5/2002	Yuhas et al.
5,368,194 A	11/1994	Oliff et al.	6,409,077 B1	6/2002	Telesca et al.
5,395,043 A	3/1995	Bacques et al.	6,435,351 B1	8/2002	Gibb
5,421,458 A	6/1995	Campbell	6,478,219 B1	11/2002	Holley, Jr.
5,427,242 A	6/1995	Oliff et al.	6,550,615 B2	4/2003	Lingamfelter
D360,131 S	7/1995	Tudor	6,550,616 B2	4/2003	Le Bras
5,443,203 A	8/1995	Sutherland	6,578,736 B2	6/2003	Spivey
D364,087 S	11/1995	Farley	6,631,803 B2	10/2003	Rhodes et al.
5,465,831 A	11/1995	Smith	6,688,839 B1	2/2004	Hirschek
5,472,090 A	12/1995	Sutherland	6,715,639 B2	4/2004	Spivey
5,472,138 A	12/1995	Ingram	6,752,262 B1	6/2004	Boriani et al.
5,485,915 A	1/1996	Harris	6,789,673 B2	9/2004	Lingamfelter
5,505,372 A	4/1996	Edson et al.	6,811,525 B2	11/2004	Culpepper
5,518,111 A	5/1996	Stout	6,866,185 B2	3/2005	Harrelson
5,536,194 A	7/1996	Larsen et al.	6,866,186 B2	3/2005	Fogle et al.
5,542,536 A	8/1996	Sutherland	6,948,651 B2	9/2005	Ikeda
5,551,556 A	9/1996	Sutherland	6,981,631 B2	1/2006	Fogle et al.
5,558,212 A	9/1996	Sutherland	6,988,617 B2	1/2006	Gomes et al.
5,558,213 A	9/1996	Sutherland	7,000,803 B2	2/2006	Miller
5,595,339 A	1/1997	Correll	7,007,800 B2	3/2006	Le Bras
5,597,071 A	1/1997	Sutherland	7,025,197 B2	4/2006	Sutherland
5,609,251 A	3/1997	Harris	7,048,113 B2	5/2006	Gomes
5,622,309 A	4/1997	Matsuda et al.	7,100,798 B2	9/2006	Spivey
5,664,401 A	9/1997	Portrait et al.	7,159,759 B2	1/2007	Sutherland
5,664,683 A	9/1997	Brody	7,175,020 B2	2/2007	Sutherland et al.
5,682,995 A	11/1997	Sutherland	7,237,674 B2	7/2007	Auclair
5,690,213 A	11/1997	Matsumura	7,427,010 B2	9/2008	Sutherland
5,692,614 A	12/1997	Harris	7,448,492 B2	11/2008	Sutherland
5,704,470 A	1/1998	Sutherland	7,644,817 B2	1/2010	Sutherland
5,704,542 A	1/1998	Harrelson	7,677,387 B2	3/2010	Brand et al.
5,722,584 A	3/1998	Fujiwara	7,762,395 B2	7/2010	Sutherland et al.
D393,800 S	4/1998	Harrison	7,762,397 B2	7/2010	Coltri-Johnson et al.
5,765,685 A	6/1998	Roosa	7,766,219 B2	8/2010	Gomes et al.
5,775,574 A	7/1998	Whitnell	D628,882 S	12/2010	Work
5,778,630 A	7/1998	Portrait et al.	7,870,993 B2	1/2011	Walling
5,782,343 A	7/1998	Harrelson	7,913,844 B2	3/2011	Spivey, Sr.
5,826,783 A	10/1998	Stout	D636,663 S	4/2011	Work
5,833,118 A	11/1998	Weiss	7,975,841 B2	7/2011	Marco
5,853,088 A	12/1998	Saulas et al.	D645,739 S	9/2011	Ross
5,855,318 A	1/1999	Baxter	D646,157 S	10/2011	Work
5,865,312 A	2/1999	Stall	D655,600 S	3/2012	Work
5,873,515 A	2/1999	Dunn et al.	8,235,201 B2	8/2012	Miller
5,875,961 A	3/1999	Stone et al.	D668,540 S	10/2012	Lutzig
5,878,947 A	3/1999	Hoy et al.	8,347,591 B2	1/2013	Coltri-Johnson
5,881,884 A	3/1999	Podosek	8,376,213 B2	2/2013	Brand
5,915,546 A	6/1999	Harrelson	8,439,254 B2	5/2013	Smalley
5,921,398 A	7/1999	Carroll	D704,049 S	5/2014	Ridenour
5,924,559 A	7/1999	Carrel et al.	D705,054 S *	5/2014	McCarthy D9/432
5,931,300 A	8/1999	Sutherland	8,800,852 B2	8/2014	Schemmel et al.
5,937,620 A	8/1999	Chalendar	D715,638 S *	10/2014	Wollschleger B65D 83/04 D9/416
5,941,453 A	8/1999	Oliff	8,875,869 B1	11/2014	Burchell
5,943,847 A	8/1999	Chalendar	D729,060 S	5/2015	Trombetta
5,947,367 A	9/1999	Miller et al.	D747,966 S	1/2016	McClaghry
5,975,286 A	11/1999	Oliff	D748,975 S	2/2016	McClaghry
			D760,072 S *	6/2016	Lutz D9/416
			9,392,888 B2	7/2016	Spivey, Sr.
			9,415,915 B2	8/2016	Spivey, Sr. et al.

(56)

References Cited

U.S. PATENT DOCUMENTS

9,434,520 B2 9/2016 Bates
 9,452,874 B2 9/2016 Harrelson
 D781,142 S * 3/2017 Trujillo D9/432
 D793,224 S * 8/2017 Sagardoy Muniesa D9/416
 9,845,182 B2 12/2017 Baldino et al.
 D811,218 S * 2/2018 Baldino D9/432
 2002/0070139 A1 6/2002 Bates
 2002/0088820 A1 7/2002 Spivey
 2002/0088821 A1 7/2002 Spivey et al.
 2002/0185527 A1 12/2002 Bates
 2003/0000182 A1 1/2003 Portrait et al.
 2003/0132130 A1 7/2003 Bras
 2003/0141353 A1 7/2003 Wilson
 2003/0192905 A1 10/2003 Spivey
 2004/0000582 A1 1/2004 Sutherland
 2004/0011674 A1 1/2004 Theelen
 2004/0060972 A1 4/2004 Harrelson
 2004/0069659 A1 4/2004 Sutherland
 2004/0089671 A1 5/2004 Miller
 2004/0099542 A1 5/2004 Sutherland
 2004/0099558 A1 5/2004 Oliff et al.
 2004/0164133 A1 8/2004 Harrelson
 2004/0188277 A1 9/2004 Auclair
 2004/0188301 A1 9/2004 Gomes
 2004/0232034 A1 11/2004 Lebras
 2004/0243277 A1 12/2004 Bonnain et al.
 2004/0254666 A1 12/2004 Bonnain et al.
 2005/0001020 A1 1/2005 Gamier
 2005/0087592 A1 4/2005 Schuster
 2005/0103652 A1 5/2005 Wilkins
 2005/0167290 A1 8/2005 Sutherland
 2005/0178687 A1 8/2005 Spivey, Sr.
 2005/0178791 A1 8/2005 Miller
 2005/0194430 A1 9/2005 Auclair et al.
 2005/0263574 A1 12/2005 Schuster
 2006/0000881 A1 1/2006 Sutherland
 2006/0108406 A1 5/2006 Stewart et al.
 2006/0157545 A1 7/2006 Auclair
 2006/0191811 A1 8/2006 Fogle et al.
 2006/0231604 A1 10/2006 DeBusk
 2006/0254942 A1 11/2006 Cargile, Jr.
 2006/0255108 A1 11/2006 Shmagin
 2006/0261140 A1 11/2006 Holley, Jr.
 2007/0017829 A1 1/2007 Sutherland
 2007/0131748 A1 6/2007 Brand
 2007/0158226 A1 7/2007 Coltri-Johnson et al.
 2007/0227927 A1 10/2007 Coltri-Johnson
 2007/0241017 A1 10/2007 Sutherland et al.
 2008/0237320 A1 10/2008 Philips
 2008/0257943 A1 10/2008 Blin
 2010/0044420 A1 2/2010 Brand et al.
 2010/0051494 A1 3/2010 DeBusk et al.
 2010/0072267 A1 3/2010 May et al.
 2011/0036902 A1 2/2011 Smalley
 2011/0131926 A1 6/2011 Coltri-Johnson
 2011/0284624 A1 11/2011 Debusk et al.
 2012/0091190 A1 4/2012 Smalley et al.
 2013/0213991 A1 8/2013 Harrelson
 2013/0264379 A1 10/2013 Schemmel et al.
 2014/0311091 A1 10/2014 Moncrief
 2015/0251828 A1 9/2015 Spivey, Sr. et al.
 2016/0167829 A1 6/2016 Spivey, Sr. et al.
 2016/0194106 A1 7/2016 Walling
 2016/0244202 A1 8/2016 Alexander et al.
 2016/0272393 A1 9/2016 Kastanek et al.

FOREIGN PATENT DOCUMENTS

CA 2 542 350 5/2005
 DE 1 192 099 4/1965
 DE 2 323 589 11/1974
 DE 75 10 538 8/1975
 DE 76 06 493 6/1976
 DE 29 33 022 2/1980
 DE 30 07 769 9/1981

DE 81 35 176 5/1982
 DE G 85 14 718.4 6/1985
 DE G 86 29 664.7 5/1987
 DE 36 12 594 10/1987
 DE 91 04 905.9 6/1991
 DE 40 23 043 12/1991
 DE 92 03 858.1 5/1992
 DE 94 12 885 10/1994
 DE 94 13 813 10/1994
 DE 295 19 931 2/1996
 DE 296 02 010 3/1996
 DE 299 09 008 9/1999
 DE 29913585 10/1999
 DE 694 21 620 4/2000
 EP 0 235 852 9/1987
 EP 0 323 596 7/1988
 EP 0 341 089 A2 11/1989
 EP 0 342 088 11/1989
 EP 0 459 658 12/1991
 EP 0 475 147 3/1992
 EP 0 509 749 10/1992
 EP 0 520 411 12/1992
 EP 0 752 370 1/1997
 EP 0 849 189 6/1998
 EP 0 899 200 A1 3/1999
 EP 1 060 998 12/2000
 EP 1 262 417 12/2002
 EP 1 334 033 B1 1/2006
 EP 1 612 157 A2 1/2006
 EP 1 518 792 B1 5/2011
 EP 2 557 049 B1 5/2016
 FR 2 456 039 12/1980
 FR 2 549 010 1/1985
 FR 2 581 970 11/1986
 FR 2 698 074 5/1994
 JP 41-18199 10/1941
 JP 5-112373 5/1993
 JP 9-507821 8/1997
 JP 2003-252323 9/2003
 KR 10-2009-0079640 A 7/2009
 WO WO 88/09750 12/1988
 WO WO 89/12008 A1 12/1989
 WO WO 95/01284 1/1995
 WO WO 95/25668 9/1995
 WO WO 96/14253 5/1996
 WO WO 96/29260 9/1996
 WO WO 97/21607 6/1997
 WO WO 97/27124 7/1997
 WO WO 98/31593 7/1998
 WO WO 98/38099 9/1998
 WO WO 99/64301 12/1999
 WO WO 00/23334 4/2000
 WO WO 00/71428 11/2000
 WO WO 00/78634 12/2000
 WO WO 01/28871 4/2001
 WO WO 02/04302 1/2002
 WO WO 02/30785 4/2002
 WO WO 02/085739 10/2002
 WO WO 02/102208 12/2002
 WO WO 03/008292 1/2003
 WO WO 03/082686 10/2003
 WO WO 2004/043790 5/2004
 WO WO 2004/087507 10/2004
 WO WO 2005/042370 5/2005
 WO WO 2005/092735 10/2005
 WO WO 2007/019000 2/2007
 WO WO 2007/126977 11/2007
 WO WO 2009/015320 1/2009
 WO WO 2013/170123 A1 11/2013
 WO WO 2014-052514 A2 4/2014
 WO WO 2014/172409 10/2014

OTHER PUBLICATIONS

Office Action for U.S. Appl. No. 29/587,937 dated Sep. 6, 2017.
 Amendment A and Response to Office Action for U.S. Appl. No. 29/587,937 dated Oct. 6, 2017.

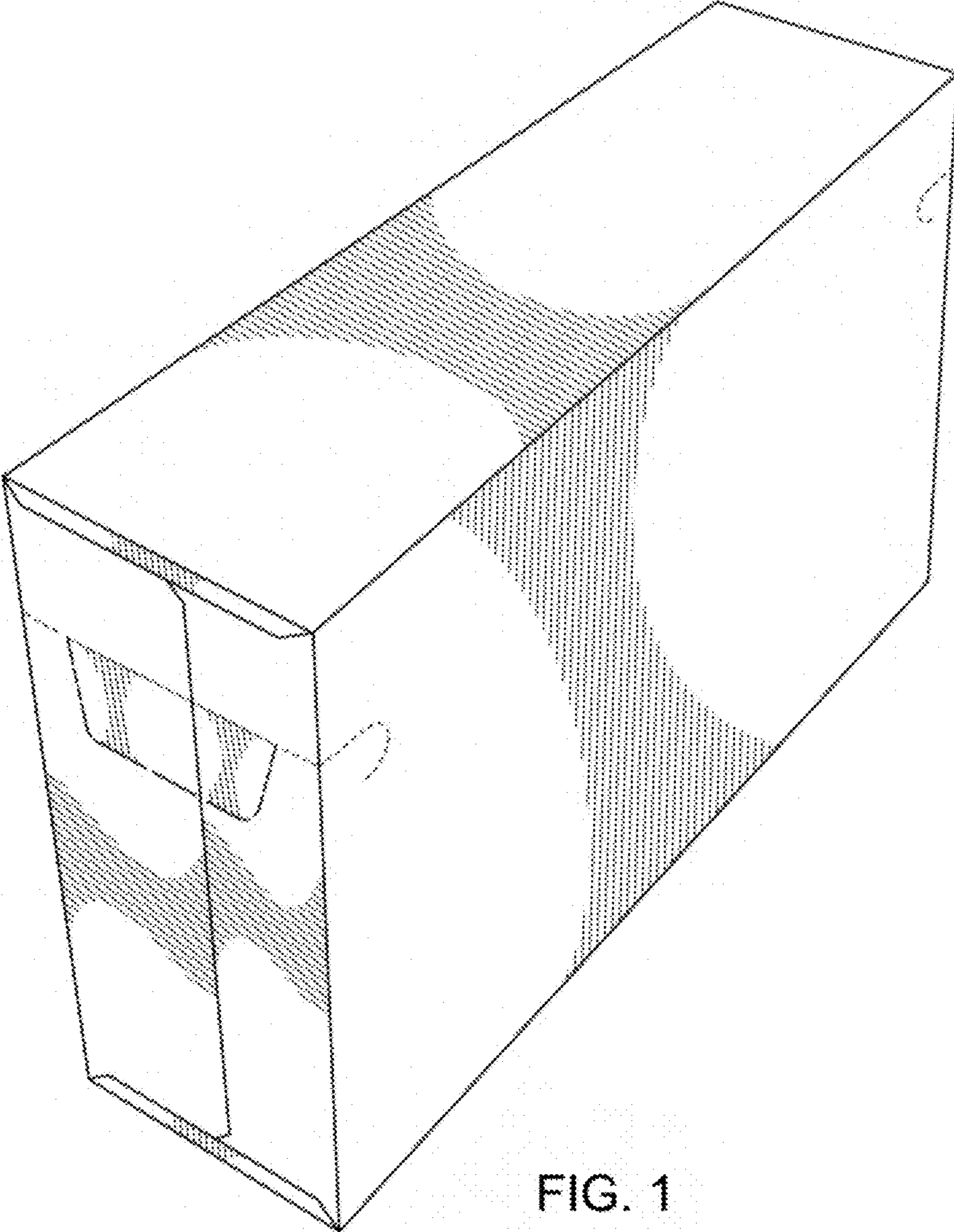
(56)

References Cited

OTHER PUBLICATIONS

Notice of Allowance and Fee(s) Due for U.S. Appl. No. 29/587,937
dated Nov. 2, 2017.

* cited by examiner



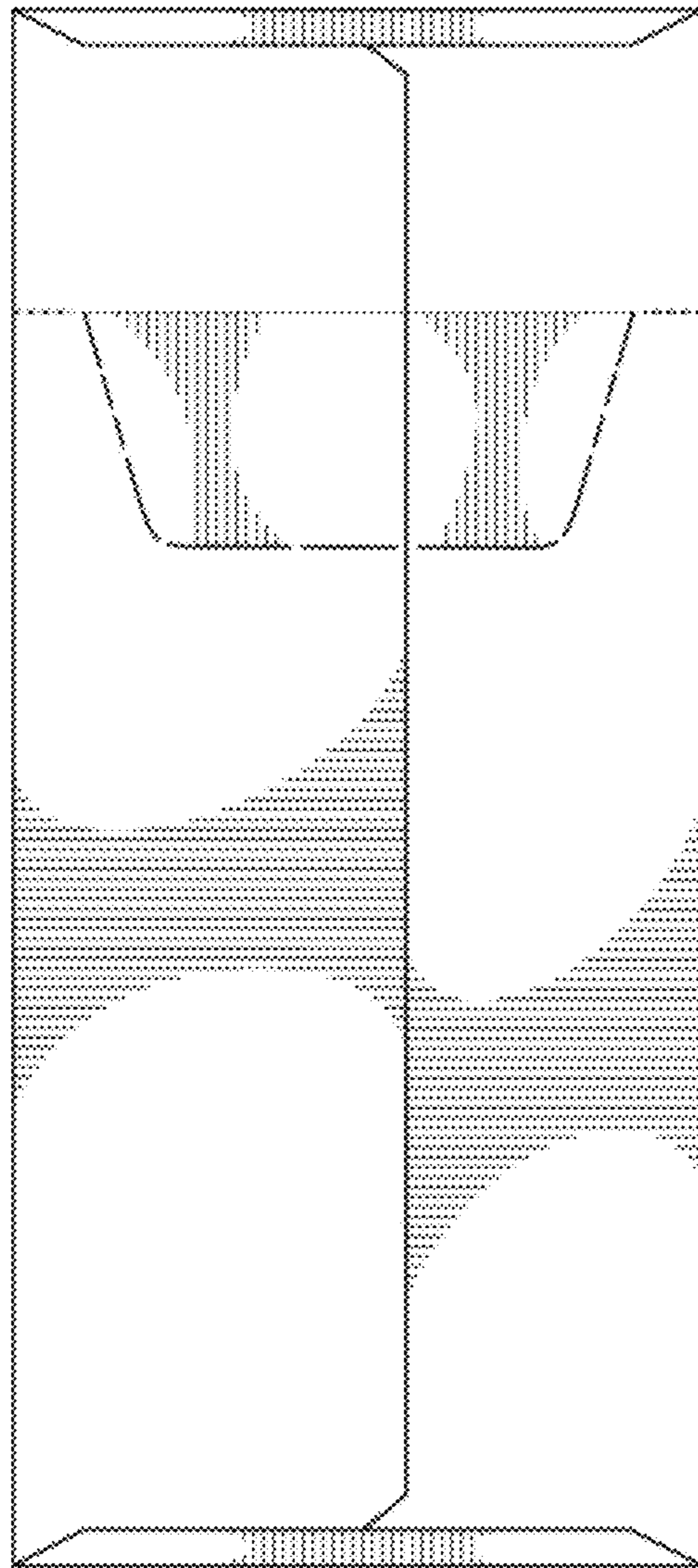


FIG. 2

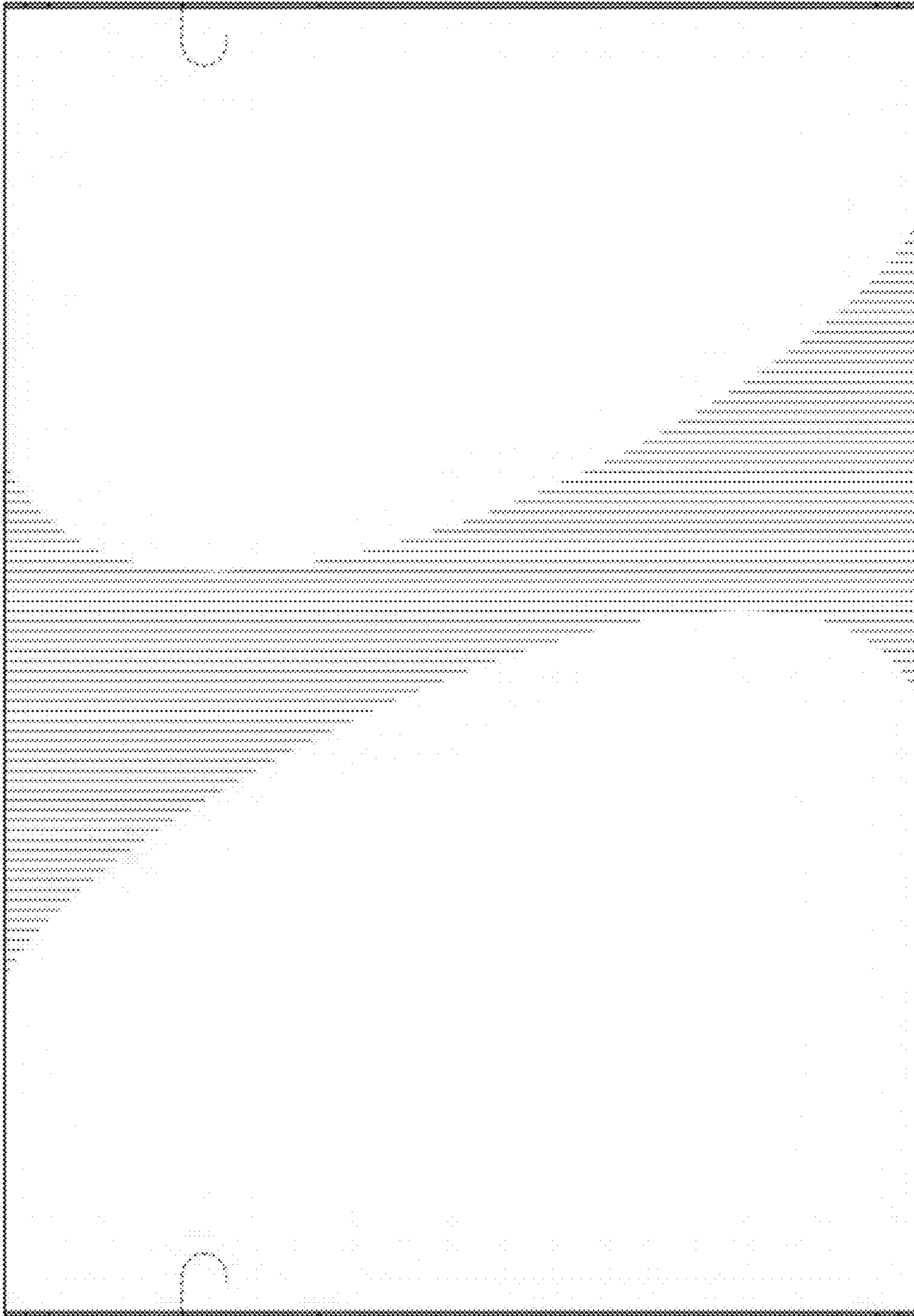


FIG. 3

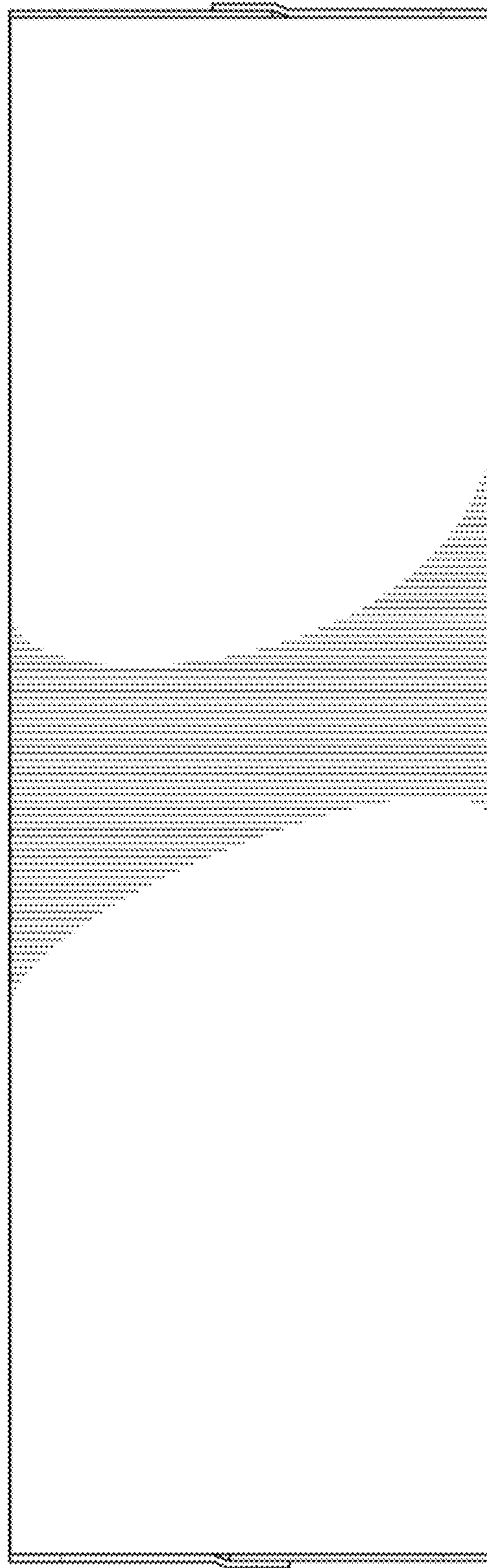


FIG. 4

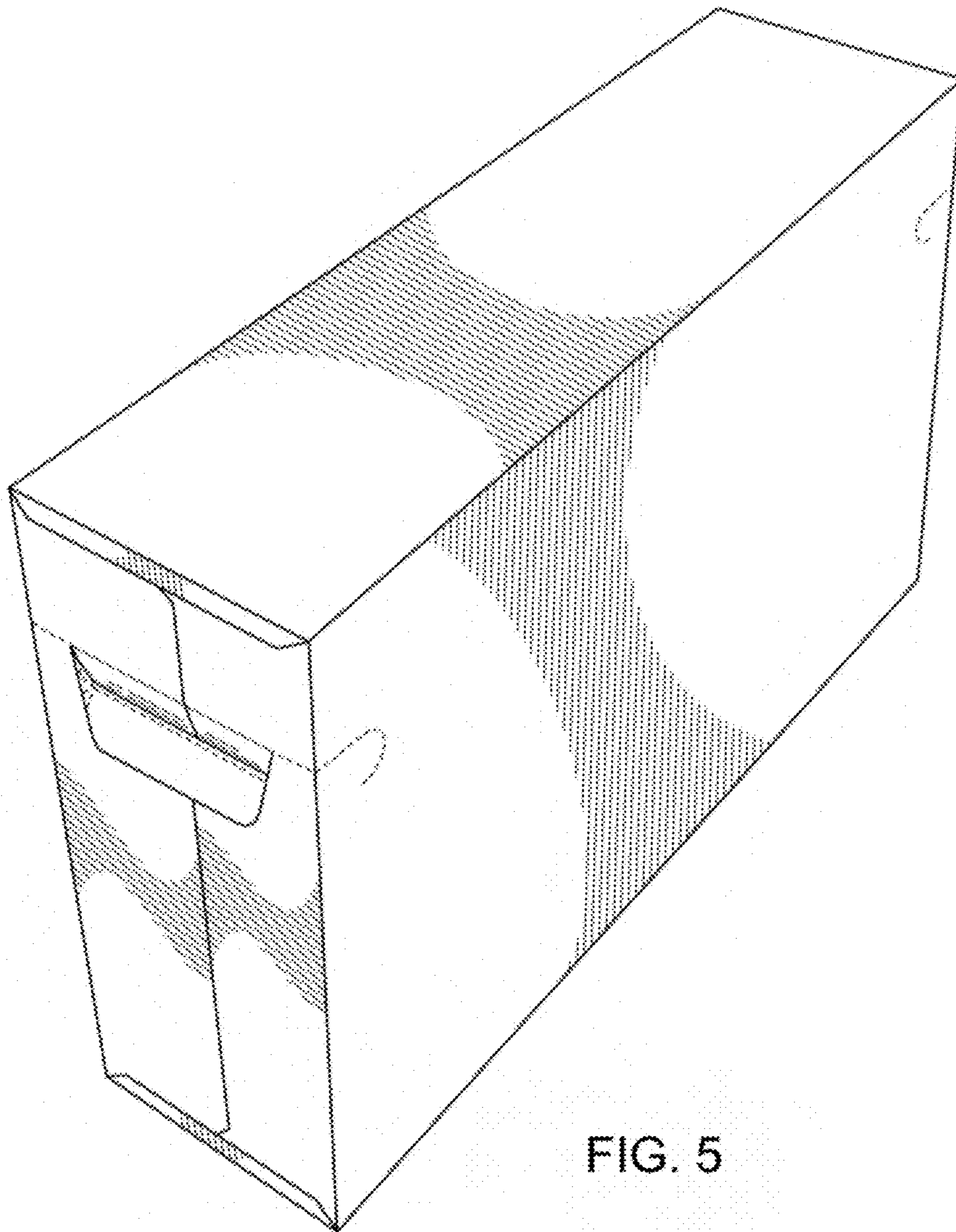


FIG. 5

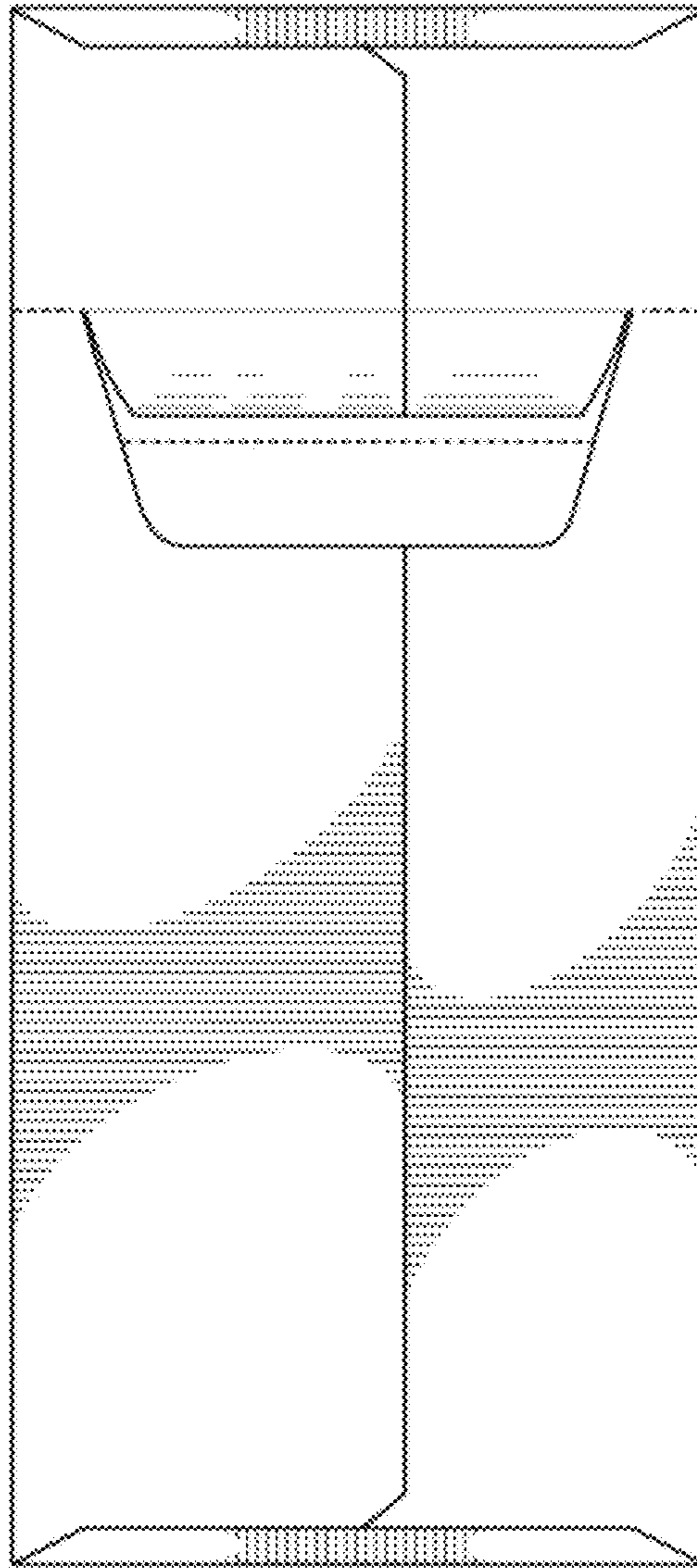


FIG. 6

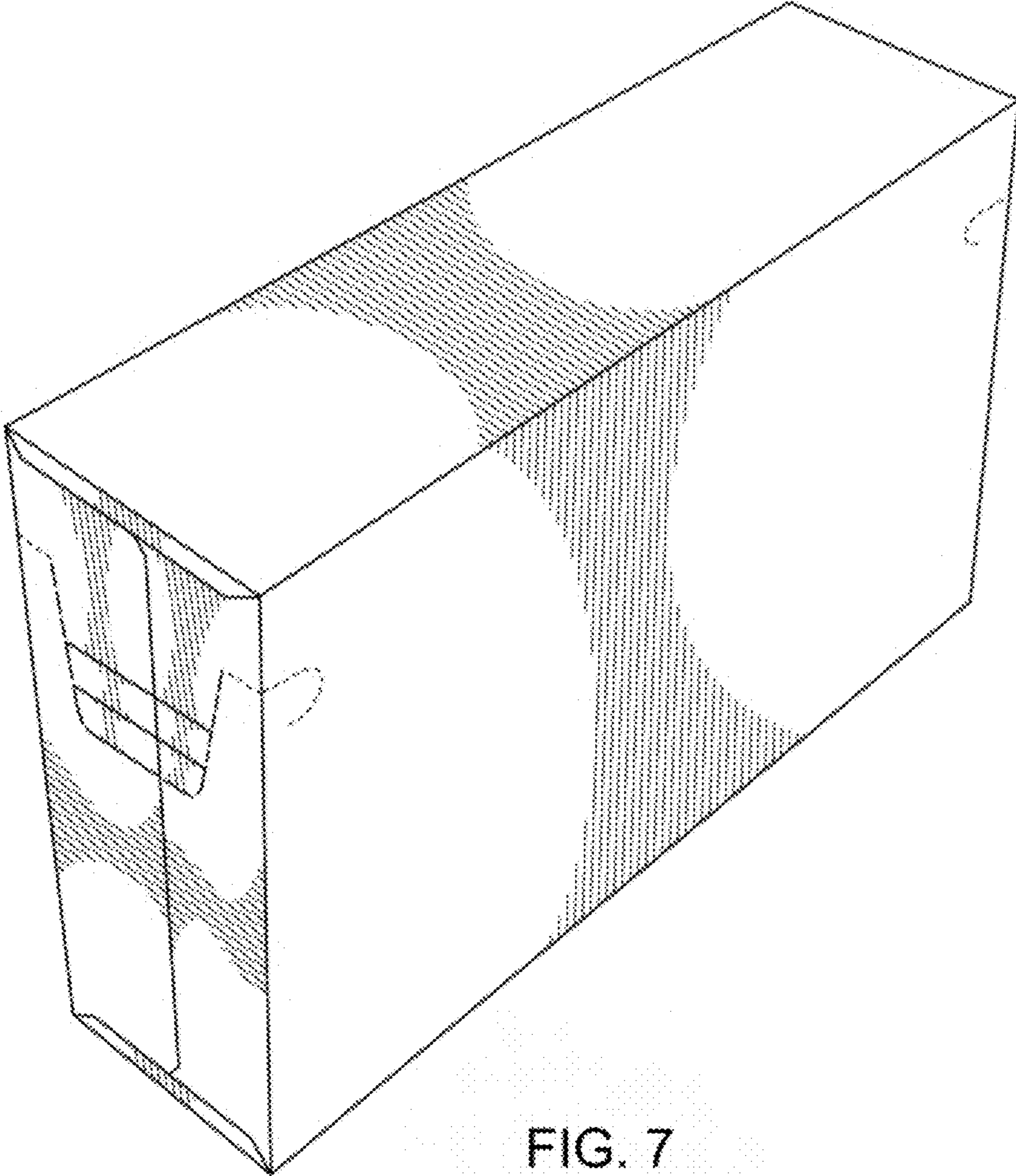


FIG. 7

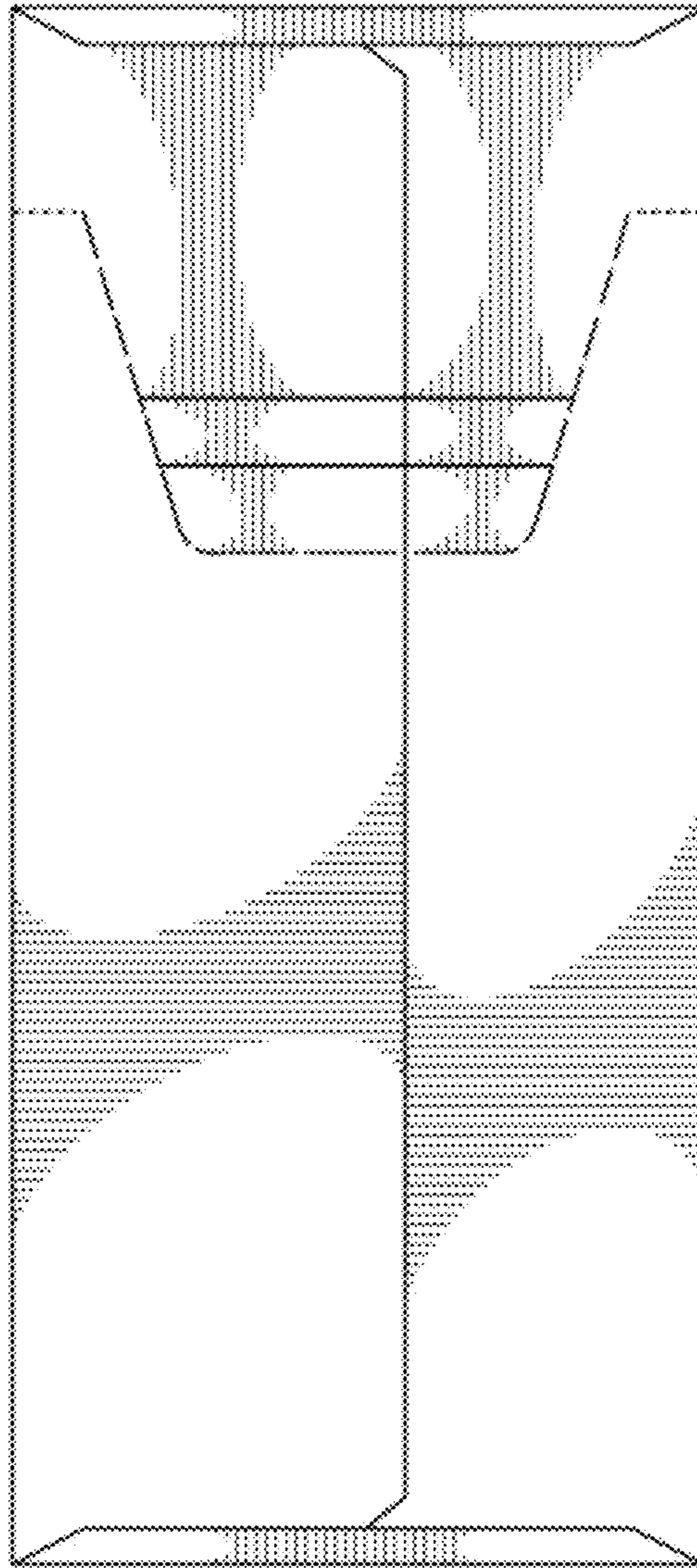


FIG. 8

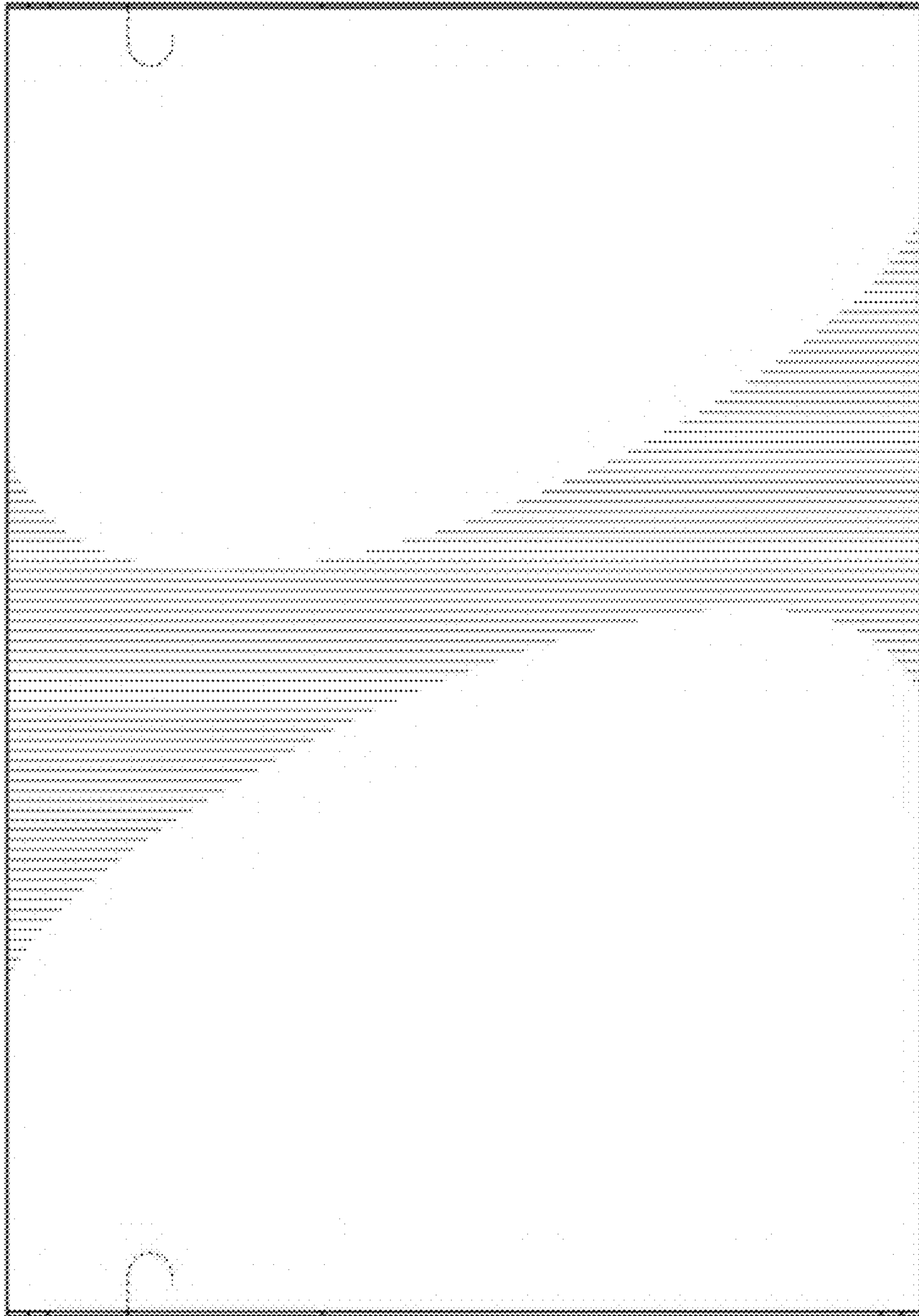


FIG. 9

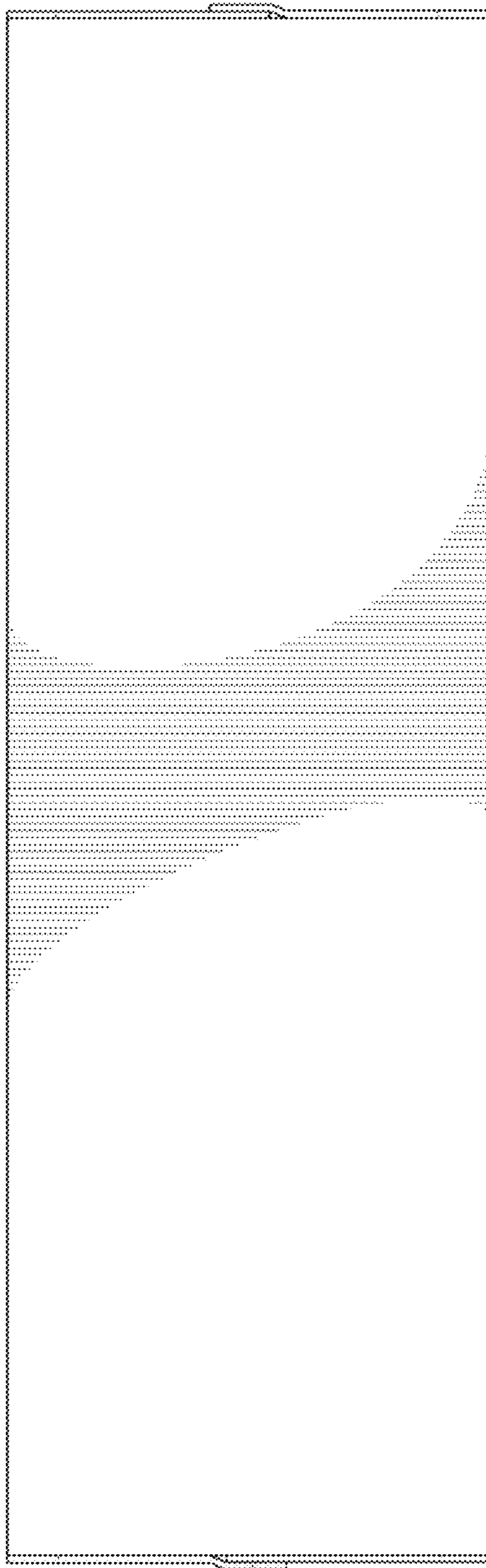


FIG. 10

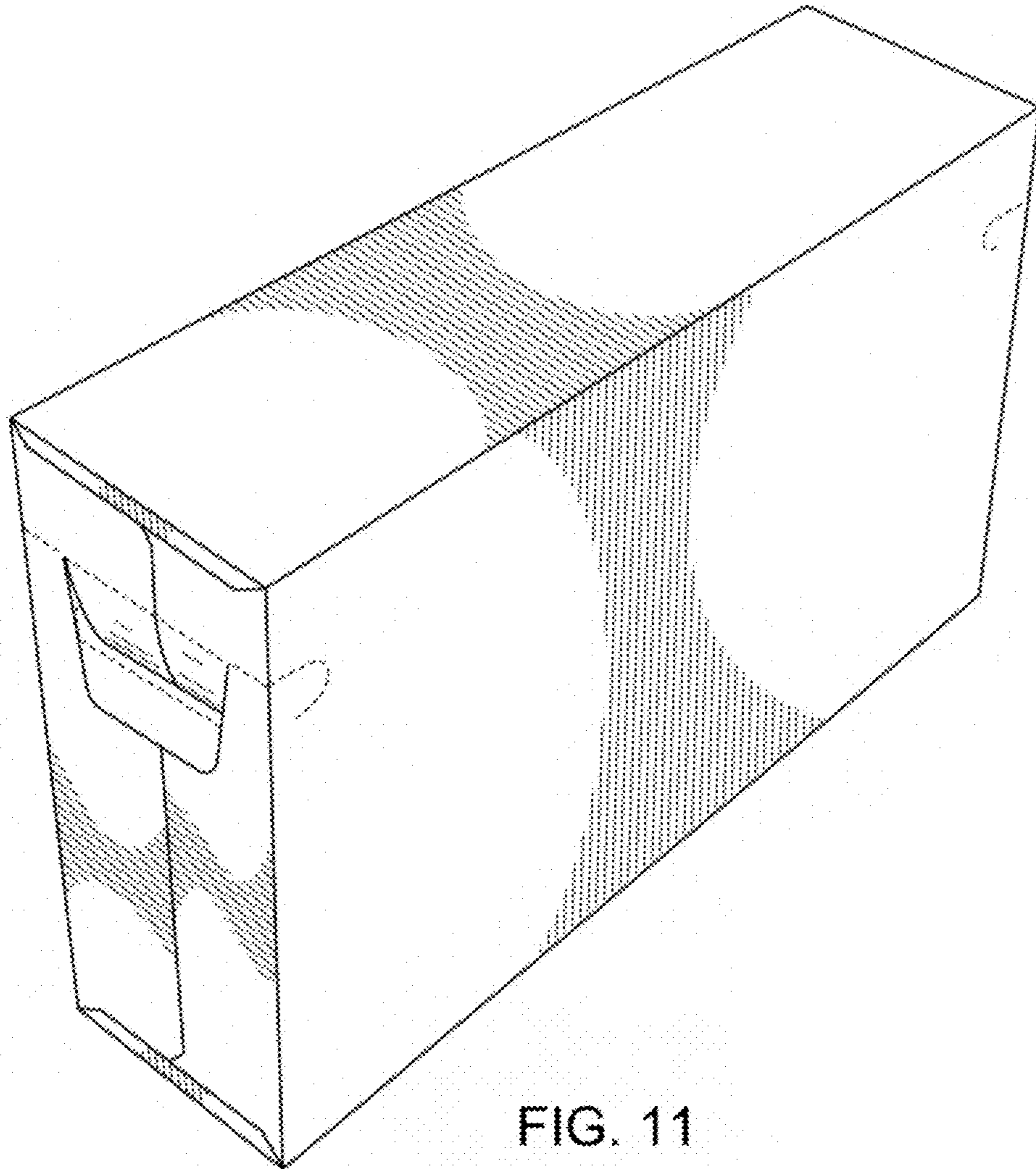


FIG. 11

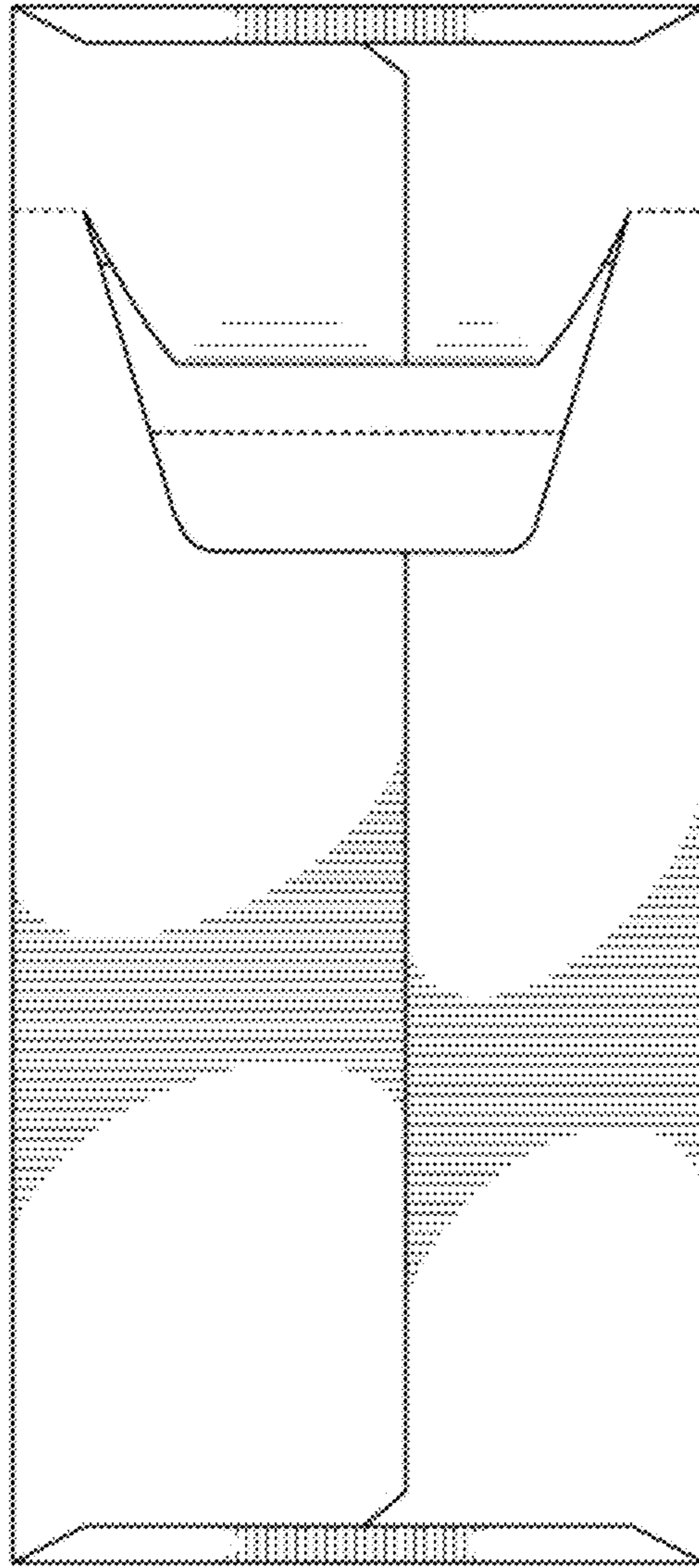


FIG. 12