



US00D824757S

(12) **United States Design Patent** (10) **Patent No.:** **US D824,757 S**  
**Johnson et al.** (45) **Date of Patent:** **\*\* Aug. 7, 2018**

(54) **SEASONAL LIGHT CLIP**

(71) Applicants: **Jeremy Neal Johnson**, Rogersville, MO (US); **Robert Thomas Evans, Jr.**, Springfield, MO (US); **Terry William Bock**, Meta, MO (US)

(72) Inventors: **Jeremy Neal Johnson**, Rogersville, MO (US); **Robert Thomas Evans, Jr.**, Springfield, MO (US); **Terry William Bock**, Meta, MO (US)

(\*\*) Term: **15 Years**

(21) Appl. No.: **29/600,583**

(22) Filed: **Apr. 13, 2017**

(51) **LOC (11) Cl.** ..... **08-08**

(52) **U.S. Cl.**  
USPC ..... **D8/395**

(58) **Field of Classification Search**  
USPC ..... D8/71-74, 354-355, 382, 384-386, D8/394-396, 499; D14/447; D23/361, D23/363, 366-369  
CPC ..... F16B 2/22; F16B 19/00; F16B 19/1081; F16B 19/08; F16B 19/008; F16B 21/075; F16L 3/127; F16L 3/13; F21V 21/088; F21S 4/10

See application file for complete search history.

(56) **References Cited**

**U.S. PATENT DOCUMENTS**

794,070 A	7/1905	Assel	248/251
D141,427 S	5/1945	Peckerman	D8/356
2,641,808 A	6/1953	Tinnerman	24/18
3,193,229 A	7/1965	Stock	248/74.2
D253,091 S	10/1979	Fritz	D8/395
D289,009 S	3/1987	Salacuse	D8/373
D296,777 S	7/1988	Cornell	D13/12
D306,553 S *	3/1990	Rumpel	D8/395
D316,958 S *	5/1991	Rumpel	D8/395
D317,252 S *	6/1991	Rumpel	D8/395

(Continued)

*Primary Examiner* — Darligton Ly

(74) *Attorney, Agent, or Firm* — Jonathan A. Bay

(57) **CLAIM**

The ornamental design for a seasonal light clip, as shown and described.

**DESCRIPTION**

FIG. 1 is a front perspective view of a seasonal light clip showing our new design in accordance with a first embodiment;

FIG. 2 is an enlarged front perspective view thereof, wherein the area of enlargement is indicated by detail II-II in FIG. 1; FIG. 3 is an enlarged front perspective view thereof in an inverted orientation;

FIG. 4 is a front elevation view thereof;

FIG. 5 is a bottom plan view thereof;

FIG. 6 is a top plan view thereof;

FIG. 7 is a side elevation view thereof, the opposing side being a mirror image; and

FIG. 8 is a rear elevation view thereof.

FIG. 9 is a front perspective view of a seasonal light clip showing our new design in accordance with an alternate embodiment;

FIG. 10 is an enlarged front perspective view thereof, wherein the area of enlargement is indicated by detail X-X in FIG. 9;

FIG. 11 is an enlarged front perspective view thereof in an inverted orientation;

FIG. 12 is a front elevation view thereof;

FIG. 13 is a side elevation view thereof, the opposing side being a mirror image; and

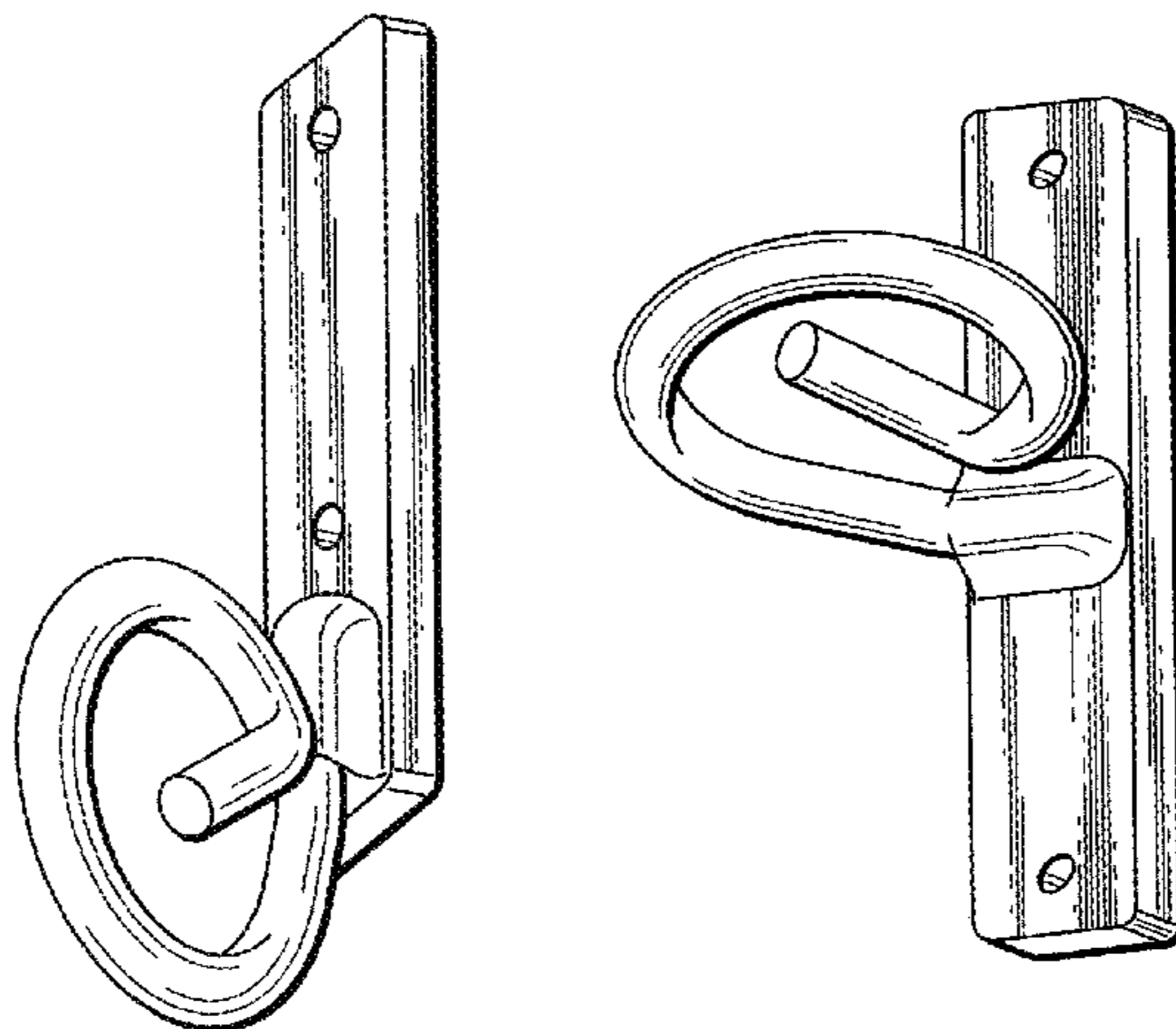
FIG. 14 is a top plan view thereof;

FIG. 15 is a bottom plan view thereof; and,

FIG. 16 is a rear elevation view thereof.

The broken lines in the drawing represent environmental subject matter that forms no part of the claimed design.

**1 Claim, 9 Drawing Sheets**



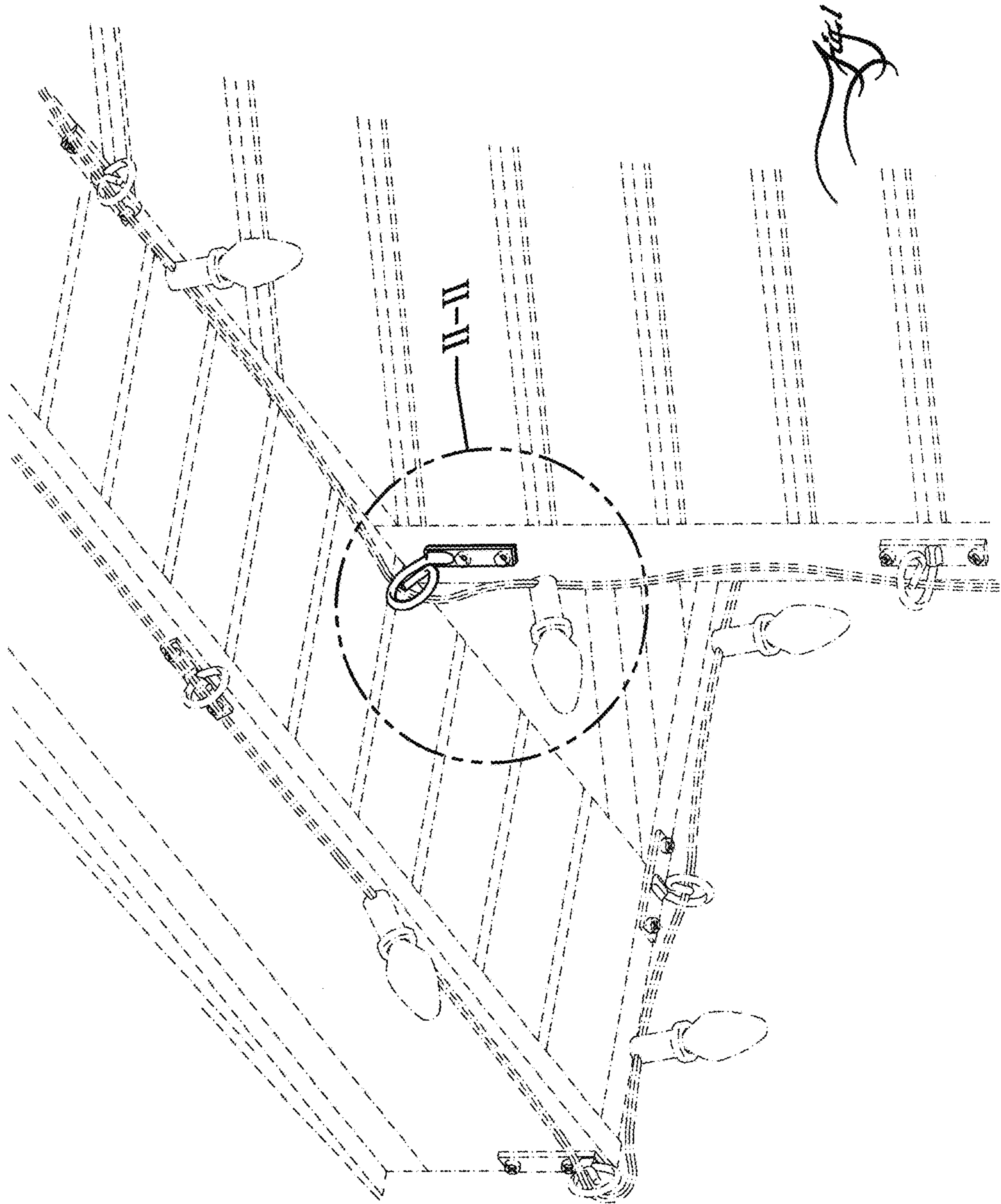
(56)

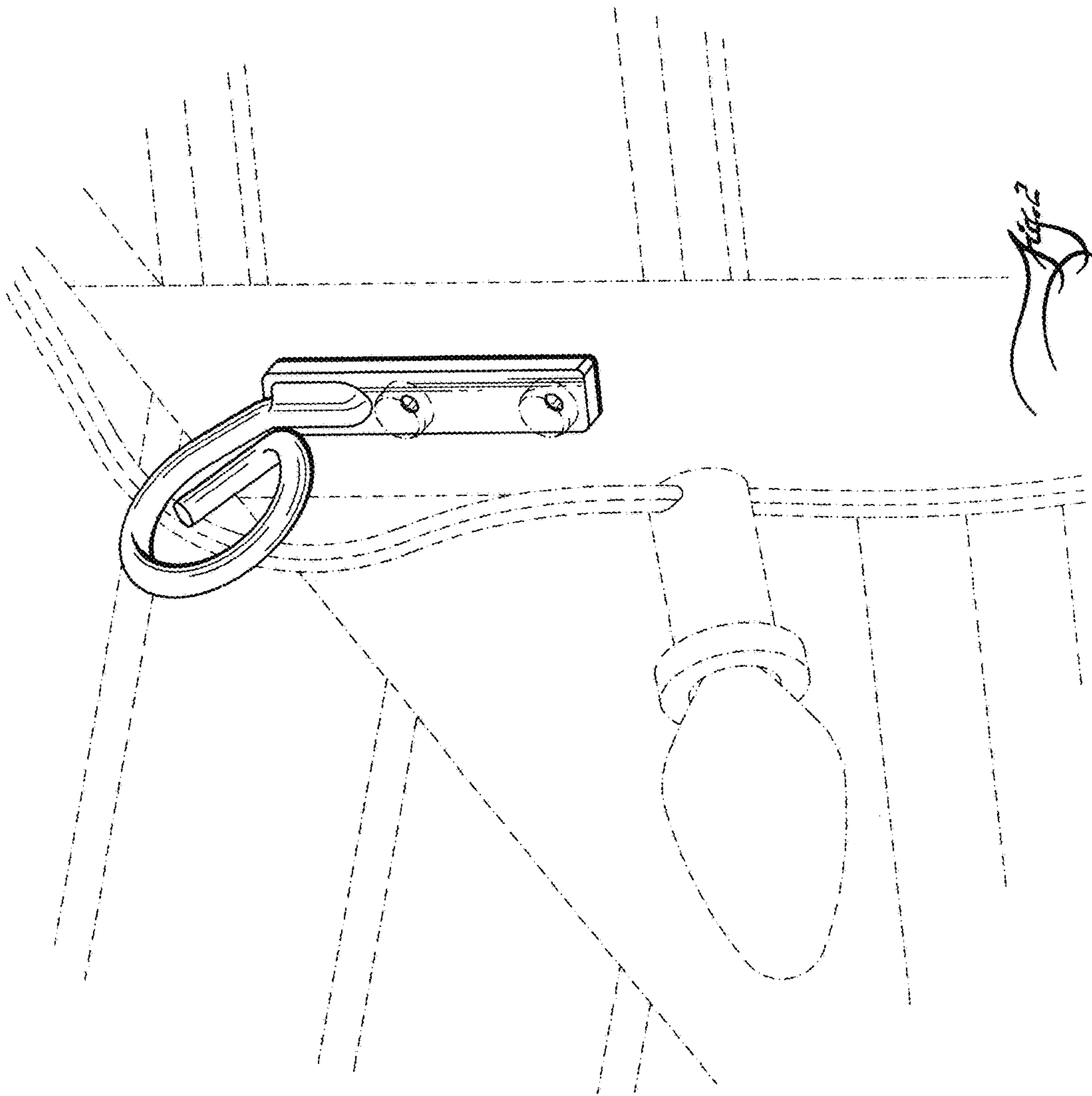
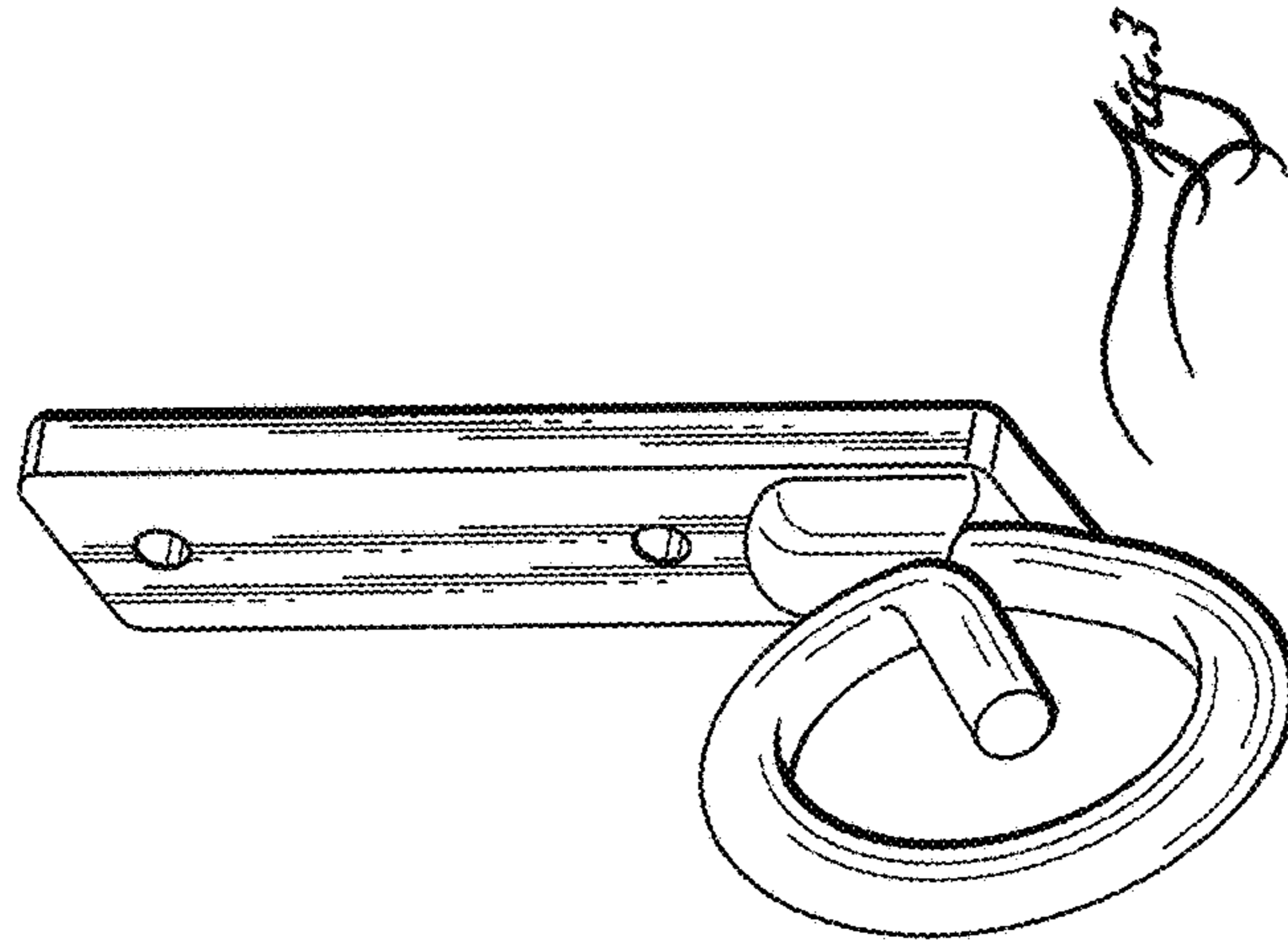
## References Cited

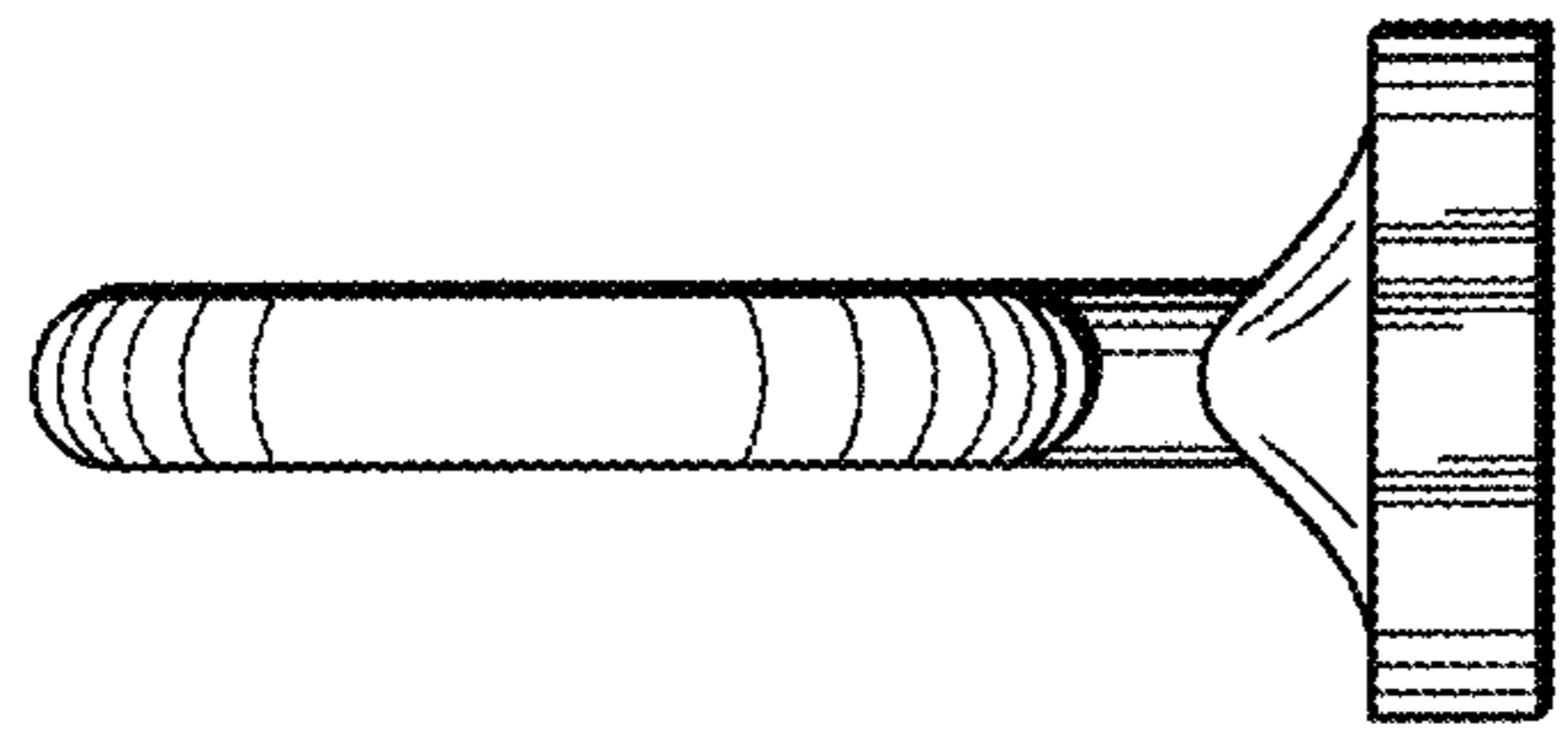
## U.S. PATENT DOCUMENTS

5,141,192	A	8/1992	Adams	248/231.8
D331,360	S	12/1992	Adams	D8/373
D340,183	S	* 10/1993	Rumpel	D8/349
D347,384	S	5/1994	White et al.	D8/395
D349,584	S	* 8/1994	Carlisle	D26/138
D356,246	S	3/1995	Adams	D8/395
D356,492	S	3/1995	Adams	D8/395
D361,506	S	* 8/1995	Rumpel	D8/395
5,531,411	A	7/1996	Adams	248/65
5,575,446	A	11/1996	Swenson et al.	248/304
5,581,956	A	12/1996	Fennessy et al.	52/28
5,669,709	A	9/1997	Adams	362/396
D422,203	S	4/2000	Gary et al.	D8/395
D424,418	S	5/2000	Gary et al.	D8/395
D424,419	S	5/2000	Avinger	D8/395
D427,510	S	7/2000	Gary et al.	D8/395
6,328,459	B1	12/2001	Adams	362/396
D460,912	S	* 7/2002	Gary	D8/395
D470,937	S	* 2/2003	Gary	D24/138
D477,773	S	7/2003	Gary et al.	D8/395
D492,890	S	7/2004	Adams	D8/367
7,066,618	B1	6/2006	Little	362/147
D531,018	S	10/2006	Jackson	D8/395
D536,606	S	2/2007	Cox et al.	D8/395
D537,330	S	2/2007	Cox et al.	D8/395
D538,636	S	3/2007	Jackson et al.	D8/395
D547,170	S	7/2007	Cox et al.	D8/395
D549,565	S	8/2007	Cox et al.	D8/394
8,147,102	B1	4/2012	Townes	362/396
D675,086	S	* 1/2013	Gary	D8/395
D675,087	S	* 1/2013	Gary	D8/395
D675,512	S	* 2/2013	Gary	D8/395
D682,464	S	* 5/2013	Gary	D26/142
D799,314	S	* 10/2017	Adams, IV	D8/395

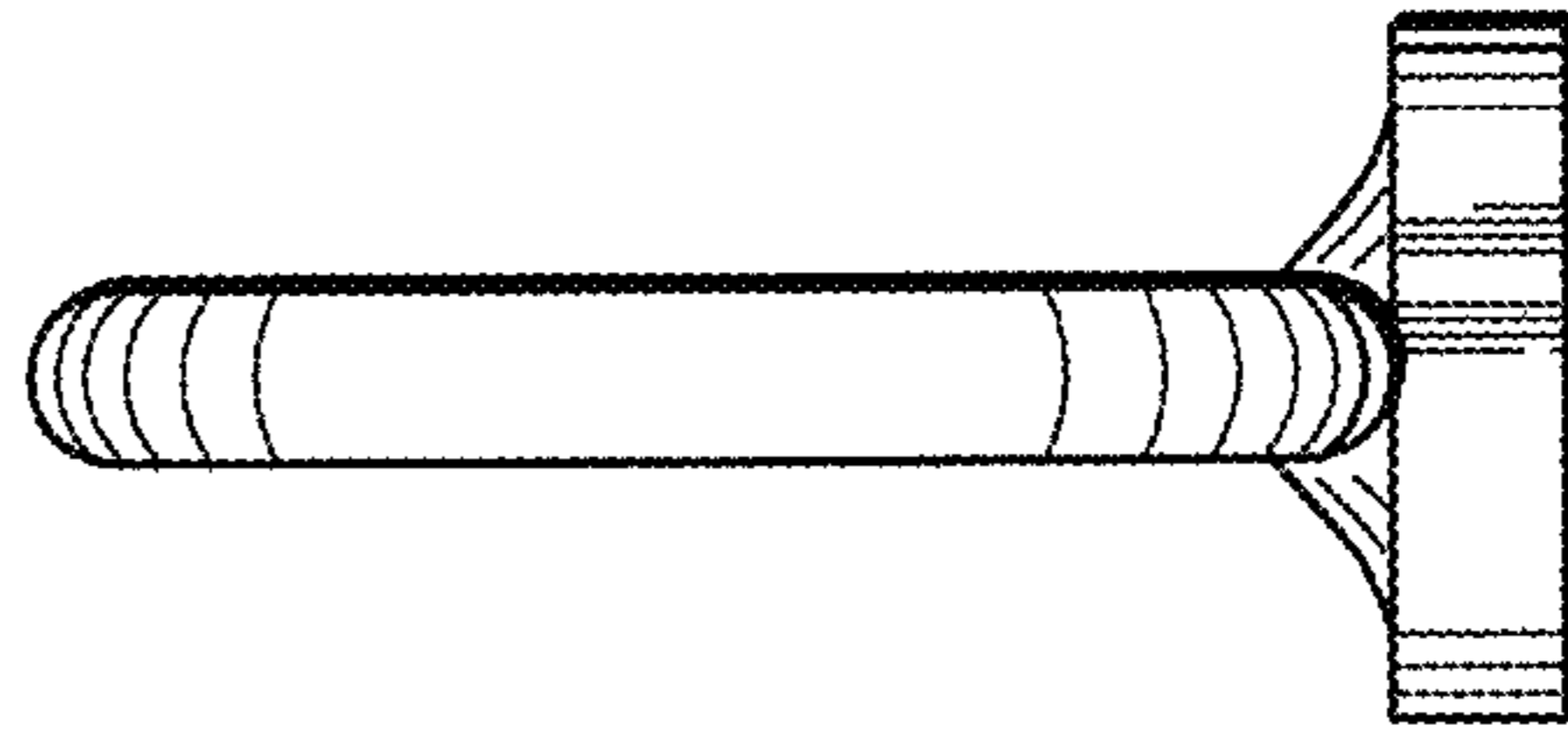
\* cited by examiner



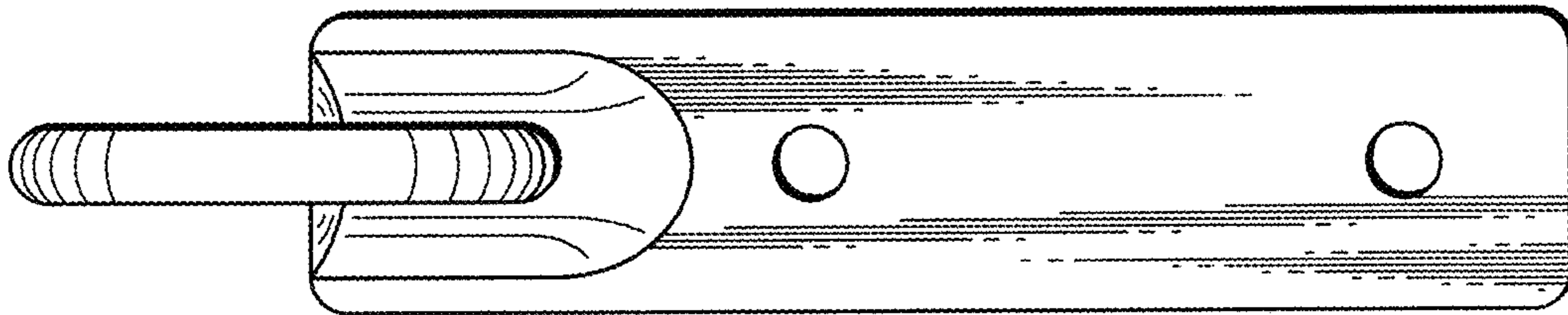




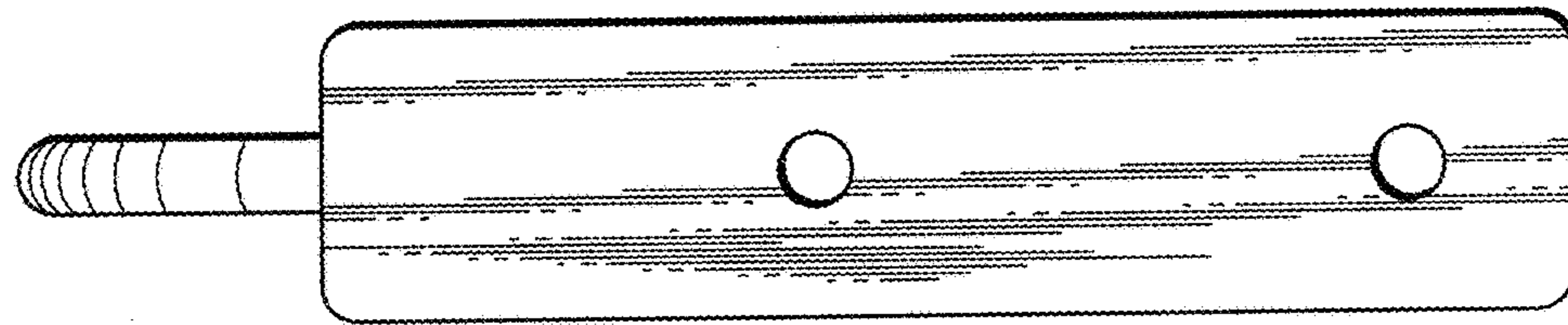
*Fig. 5*



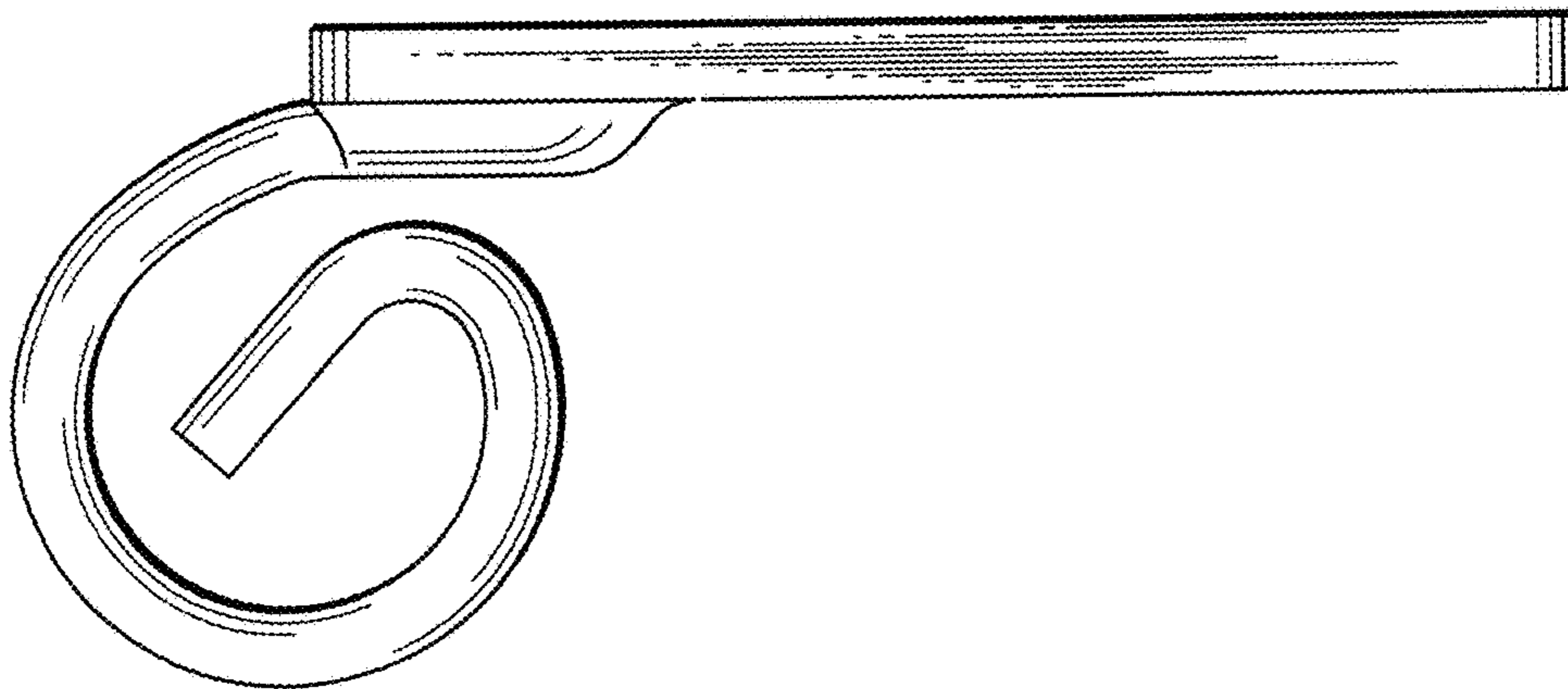
*Fig. 6*



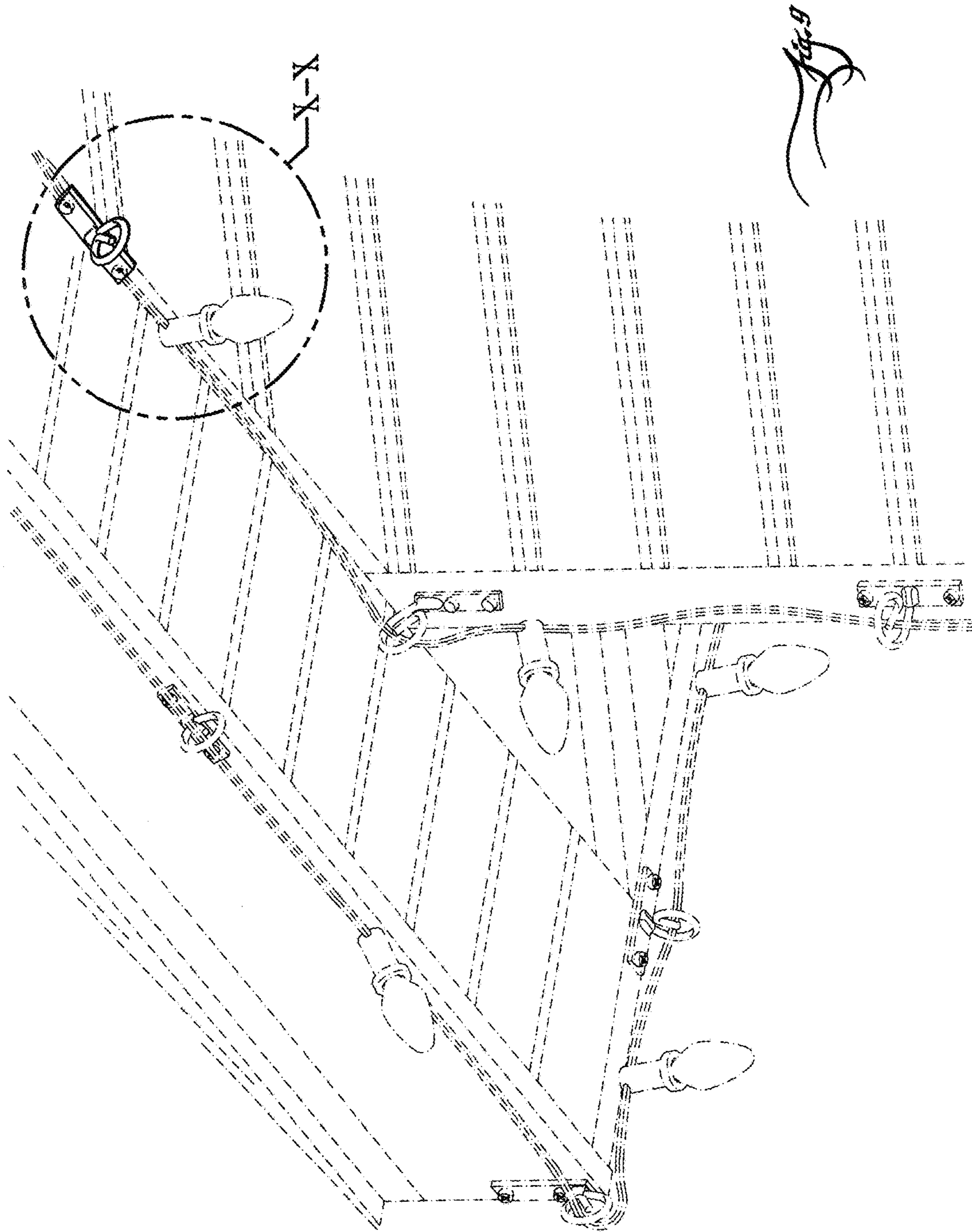
*Fig. 4*

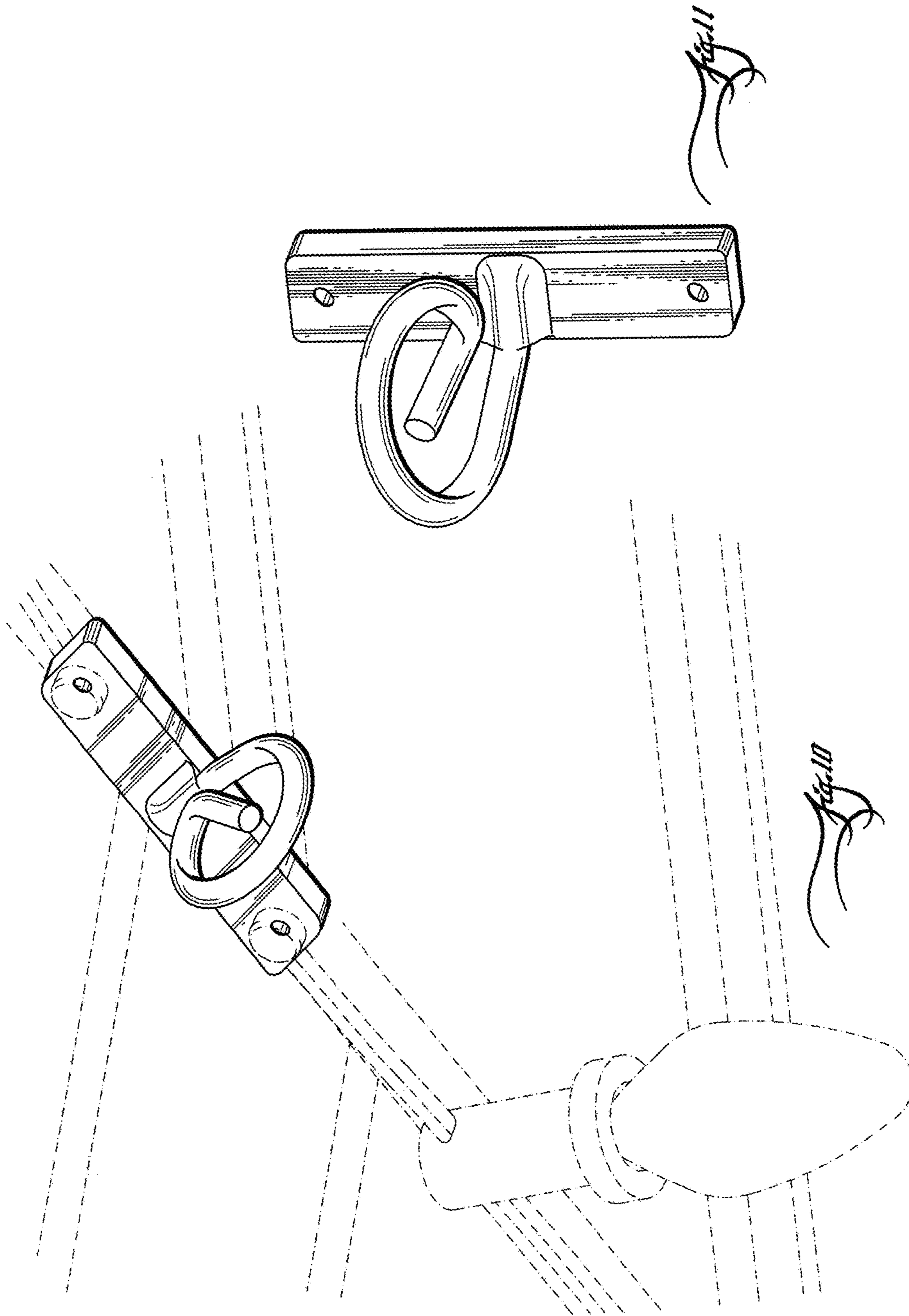


*Fig. 8*

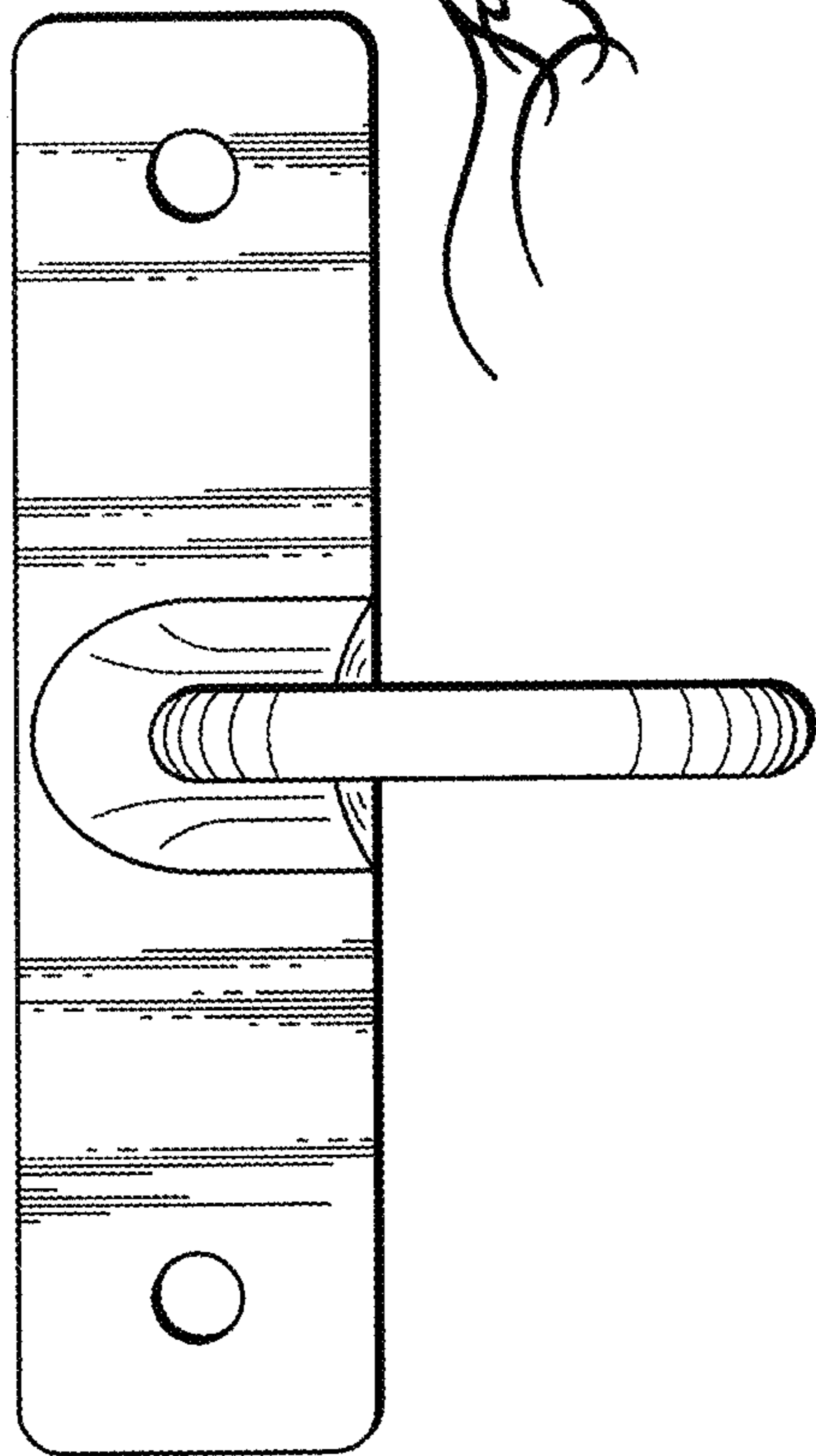


*Fig. 7*

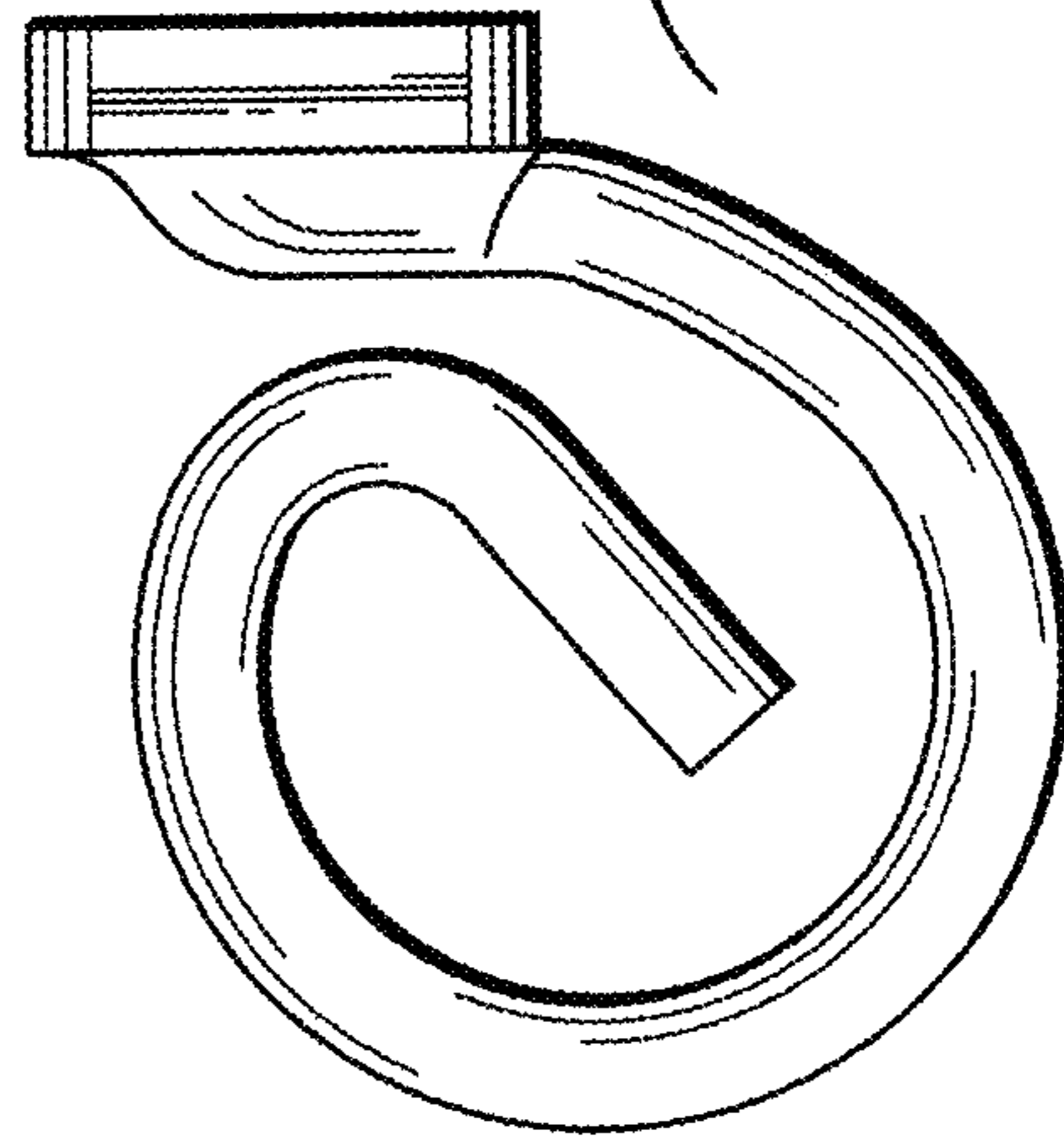








*Figure 12*



*Figure 13*

