



US00D824756S

(12) **United States Design Patent** (10) **Patent No.:** **US D824,756 S**
Fischer et al. (45) **Date of Patent:** **** Aug. 7, 2018**

(54) **VENT CLIP**
(71) Applicant: **JULIUS SAMANN LTD.**, Hamilton (BM)
(72) Inventors: **Albert Michael Fischer**, Fairfield, OH (US); **Matthew Thomas Kuhn**, Cincinnati, OH (US); **Robert Richard Ziek, Jr.**, Cincinnati, OH (US); **Robert St. Clair Donovan**, Adams, NY (US); **Kyle M. Bennett**, Watertown, NY (US); **Gregor Mittersinker**, Cumberland, RI (US); **Aaron Abroff**, Action, MA (US); **Andre Minoli**, Somerville, MA (US)

3,099,269 A 7/1963 Sorensen
D205,923 S 10/1966 Loudon et al.
3,276,800 A 10/1966 Loudon et al.
D267,810 S 2/1983 Orsos
D273,272 S 4/1984 Roeser
D274,009 S 5/1984 Caruso
4,821,988 A 4/1989 Jimenez
D317,246 S 6/1991 Driscoll
D322,389 S 12/1991 Harmon
D382,050 S 8/1997 Hayes
D382,592 S 8/1997 Maruchi
D385,304 S * 10/1997 Griffin D19/65
D391,152 S 2/1998 Lane et al.

(Continued)

Primary Examiner — John Windmuller
(74) *Attorney, Agent, or Firm* — Oblon, McClelland, Maier & Neustadt, L.L.P.

(73) Assignee: **JULIUS SAMANN LTD.**, Hamilton (BM)

(**) Term: **15 Years**

(21) Appl. No.: **29/543,158**

(22) Filed: **Oct. 21, 2015**

Related U.S. Application Data

(62) Division of application No. 29/441,071, filed on Dec. 31, 2012, now Pat. No. Des. 743,781.

(51) **LOC (11) Cl.** **08-08**

(52) **U.S. Cl.**
USPC **D8/395**; D8/396

(58) **Field of Classification Search**
USPC D8/394, 395, 396; D23/366; D20/43; D11/215, 216
CPC F16L 33/02; F16L 33/12; F16L 37/123; E05C 19/145; E05F 11/00

See application file for complete search history.

(56) **References Cited**

U.S. PATENT DOCUMENTS

2,470,811 A * 5/1949 Engleman A47K 10/12 24/339
D162,336 S * 3/1951 Oest et al. 24/545

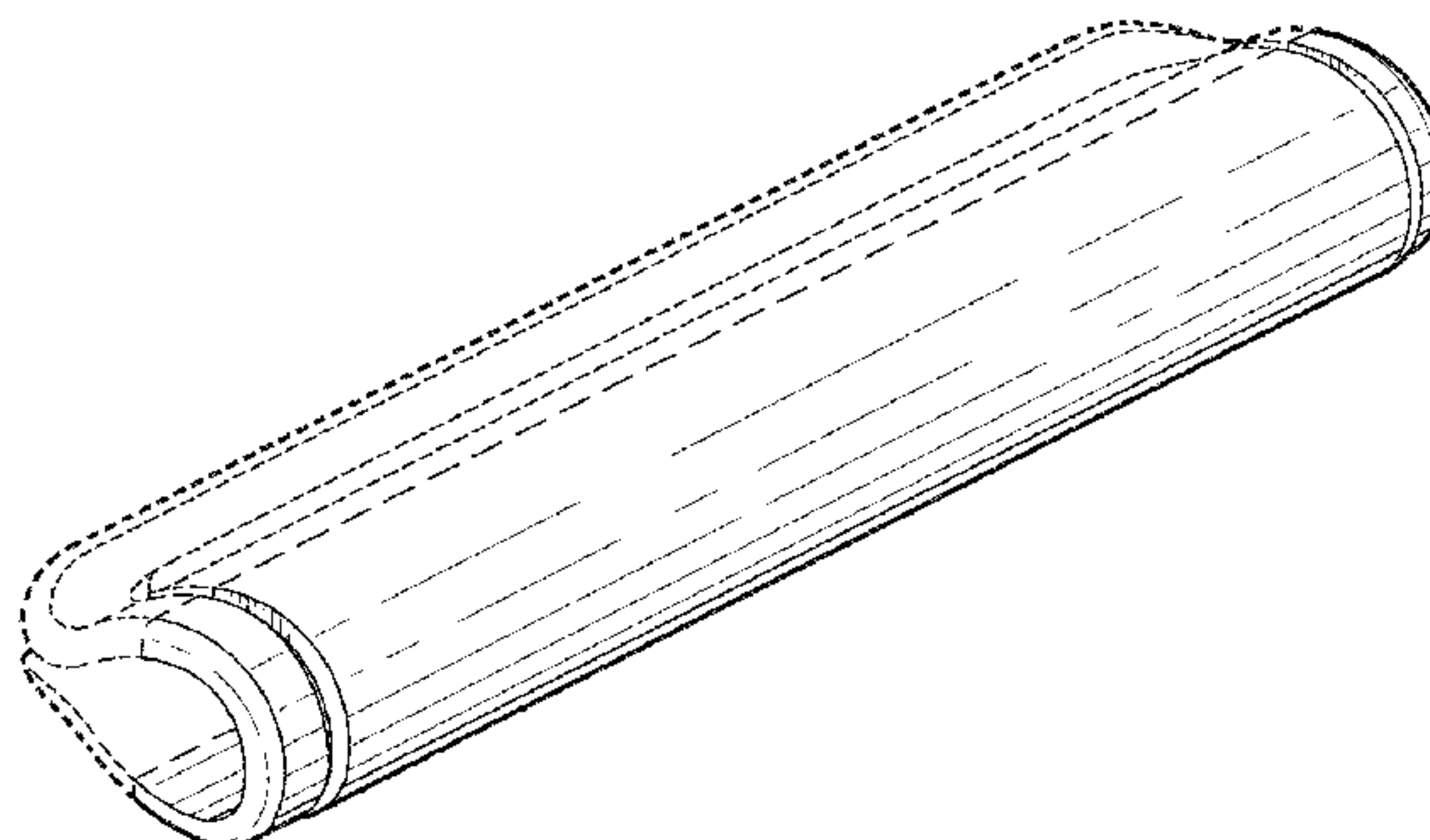
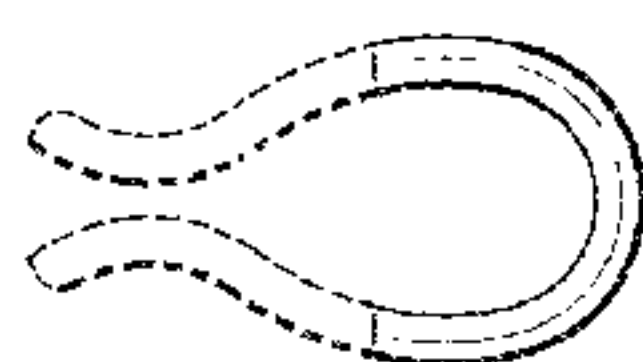
(57) **CLAIM**

The ornamental design for a vent clip, as shown and described.

DESCRIPTION

FIG. 1 is a top plan view of a vent clip, the bottom plan view being a mirror image of the top plan view shown; FIG. 2 is a front elevational view thereof; FIG. 3 is a rear elevational view thereof; FIG. 4 is a left side elevational view thereof, the right side elevational view being a mirror image of the left side elevational view shown; and, FIG. 5 is a front, top, and left side perspective view thereof. The broken lines with the smaller dashes in the drawings depict environmental subject matter only and form no part of the claimed design. The broken lines with the larger dashes in the drawings depict the boundary of the claimed design and form no part of the claimed design.

1 Claim, 3 Drawing Sheets



(56)

References Cited

U.S. PATENT DOCUMENTS

D409,902 S *	5/1999	Salvucci	D8/403
D425,127 S	5/2000	Mackey et al.	
D473,128 S	4/2003	Costa	
D494,997 S	8/2004	Weiler et al.	
D546,464 S *	7/2007	Savoia	D24/200
D566,539 S *	4/2008	Hicks	D8/395
D659,264 S *	5/2012	Wennerholm	D25/136
D686,910 S *	7/2013	Towell, Jr.	D8/395
D688,122 S	8/2013	Wasco	
D713,242 S	9/2014	Magan	
D721,428 S *	1/2015	Donovan	D23/368
2001/0022014 A1	9/2001	Smith	

* cited by examiner

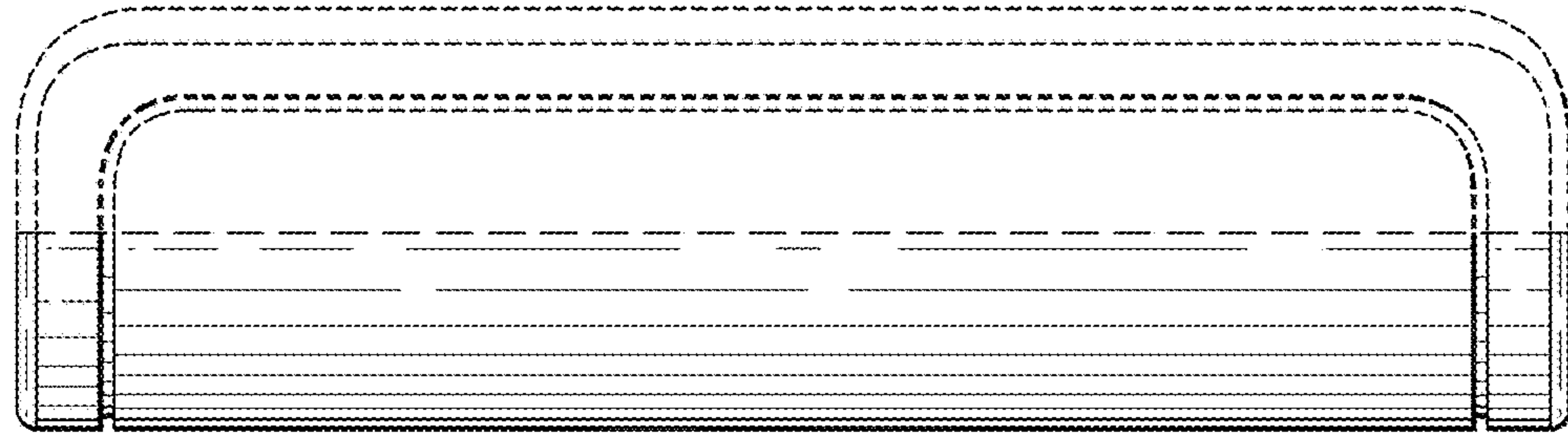


Fig. 1

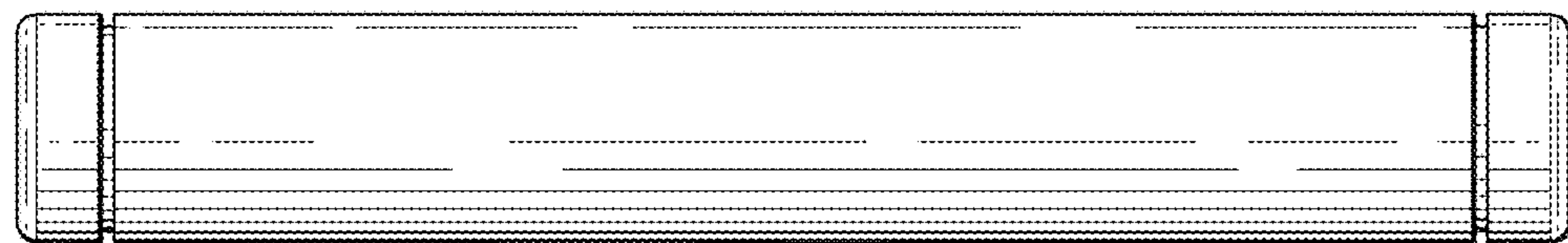


Fig. 2



Fig. 3

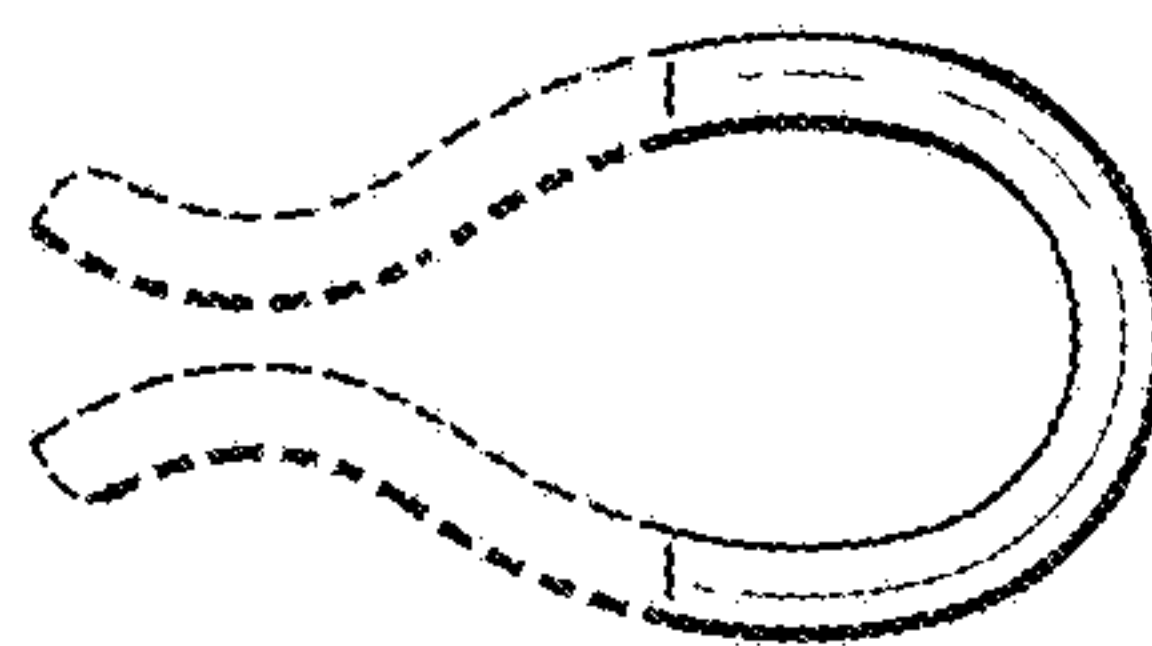


Fig. 4

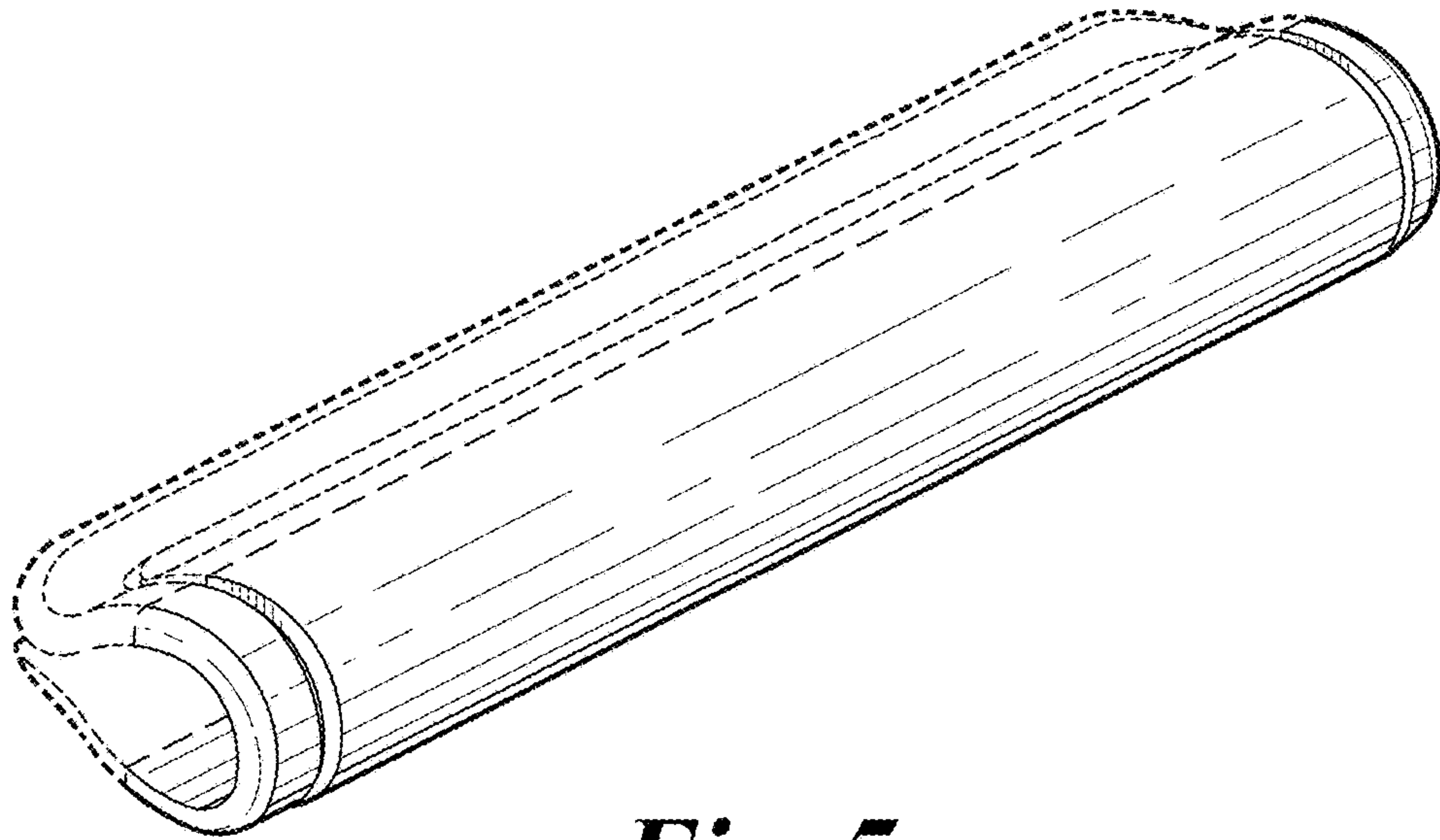


Fig. 5