



US00D824755S

(12) **United States Design Patent**
Bauer et al.

(10) **Patent No.:** **US D824,755 S**
(45) **Date of Patent:** **** *Aug. 7, 2018**

(54) **RAIL CLAMP**

(71) Applicant: **Siemens Aktiengesellschaft**, Munich (DE)

(72) Inventors: **Tobias Bauer**, Berlin (DE); **Marco Clemens**, Braunschweig (DE); **Alexander Jantschke**, Munich (DE); **Heiner Koerkemeier**, Lippstadt-Eickelborn (DE); **Oliver Meer**, Munich (DE); **Horst Pech**, Braunschweig (DE); **Ulf Truemper**, Wolfenbuettel (DE)

(73) Assignee: **Siemens Aktiengesellschaft**, Munich (DE)

(*) Notice: This patent is subject to a terminal disclaimer.

(**) Term: **15 Years**

(21) Appl. No.: **29/581,948**

(22) Filed: **Oct. 24, 2016**

(30) **Foreign Application Priority Data**

Apr. 25, 2016 (EM) 001448740

(51) **LOC (11) Cl.** **08-08**

(52) **U.S. Cl.**
USPC **D8/394**

(58) **Field of Classification Search**
USPC D8/394-396; D22/108
CPC . A47B 96/06; B60P 7/04; F41C 27/00; B61H 7/12

See application file for complete search history.

(56) **References Cited**

U.S. PATENT DOCUMENTS

1,414,708 A * 5/1922 Psilander E01B 5/18
238/21
1,764,797 A * 6/1930 Kersting B66C 9/18
188/43

1,988,173 A * 1/1935 Kersting B61K 7/16
188/2 R
1,994,260 A * 3/1935 Van Syckle B61K 7/20
188/36
2,226,228 A * 12/1940 Kunde E06C 7/14
220/480
3,246,867 A * 4/1966 Ewing E06C 7/14
24/486

(Continued)

FOREIGN PATENT DOCUMENTS

EM 001341549-0001 * 9/2012
EM 001448740-0001 * 5/2016
EM 001448740-0002 * 5/2016

OTHER PUBLICATIONS

First Call Parts Accessory Rail Clamp, webiste 2017, <http://www.firstcallparts.com/portfolio/4775735-siemens-accessory-rail-clamp/>, [site visited Aug. 4, 2017 10:36:07 PM].*

Primary Examiner — John Windmuller

Assistant Examiner — John R Yeh

(74) *Attorney, Agent, or Firm* — Schiff Hardin LLP

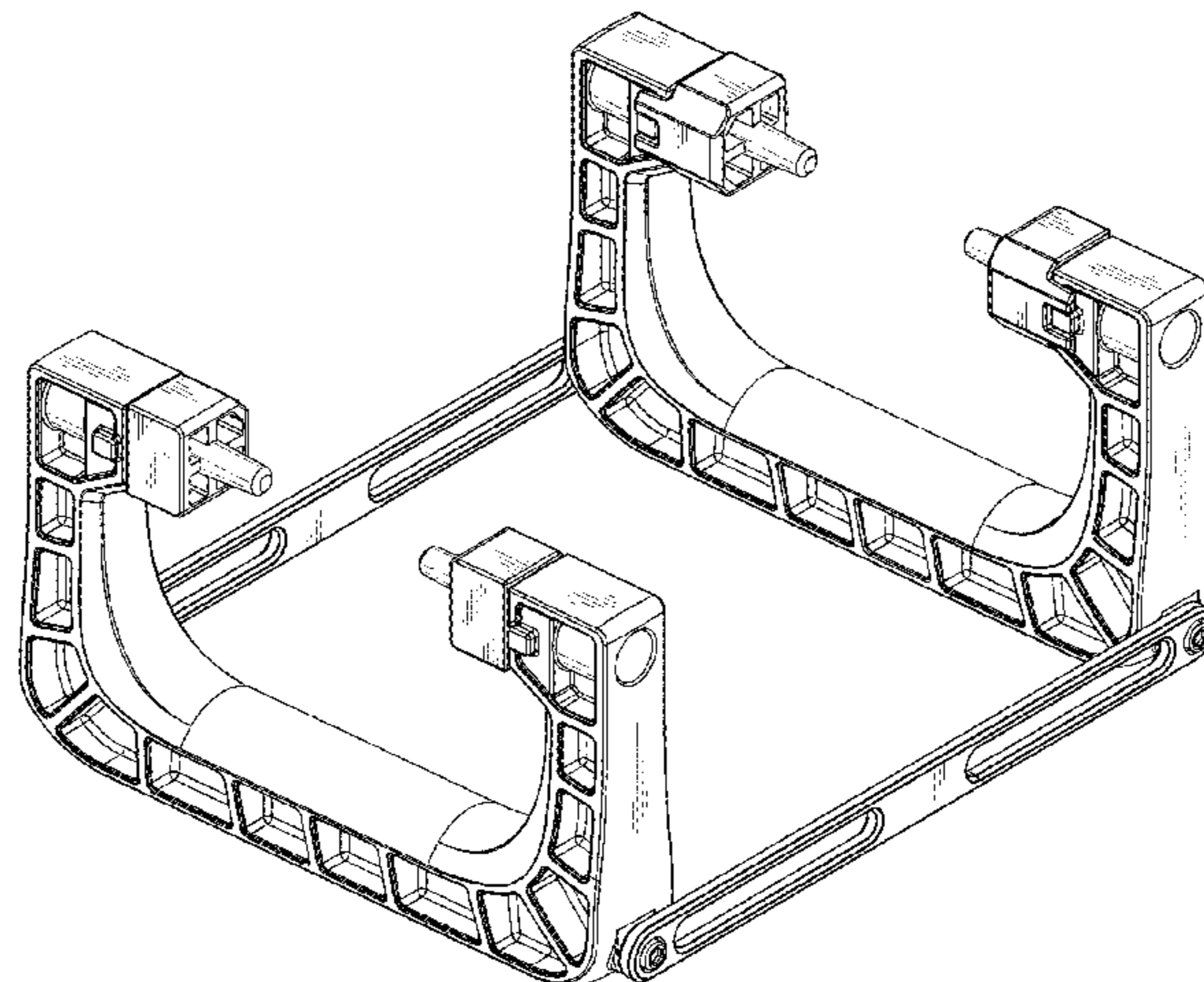
(57) **CLAIM**

The ornamental design for a rail clamp, as shown and described.

DESCRIPTION

FIG. 1 is a front elevational view of a rail clamp showing our new design;
FIG. 2 is a back elevational view thereof;
FIG. 3 is a top plan view thereof;
FIG. 4 is a bottom plan view thereof;
FIG. 5 is a side elevational view of the right side thereof;
FIG. 6 is a side elevational view of the left side thereof; and,
FIG. 7 is a perspective view taken generally from the front, top, right-hand side thereof.

1 Claim, 7 Drawing Sheets



(56)

References Cited

U.S. PATENT DOCUMENTS

4,583,269 A * 4/1986 Harris A47K 10/04
 223/96
 D306,136 S * 2/1990 Lund D8/373
 D346,003 S * 4/1994 Anderson D22/108
 5,450,659 A * 9/1995 Bertram A01M 23/245
 24/522
 5,636,893 A * 6/1997 Wheatley B60J 7/141
 16/354
 7,549,546 B2 * 6/2009 Charge-Kroll B66C 9/18
 212/271
 D612,715 S * 3/2010 Weinberg D8/394
 7,900,990 B2 * 3/2011 Townson B60P 7/0815
 296/100.16
 D654,551 S * 2/2012 Williams D22/107
 8,132,701 B2 * 3/2012 Verhelst B60R 9/10
 224/558
 D667,915 S * 9/2012 Nakayama D22/108
 D732,628 S * 6/2015 Cheng D22/108
 D753,990 S * 4/2016 Swan D22/108
 D776,783 S * 1/2017 St. Phillips D22/108
 2004/0218973 A1 * 11/2004 Anscher E05B 65/5292
 403/373
 2009/0274531 A1 * 11/2009 Townson B60P 7/0815
 410/104
 2013/0180152 A1 * 7/2013 Speroni F41C 27/00
 42/99
 2016/0281920 A1 * 9/2016 Perez F16M 13/022

* cited by examiner

FIG 1

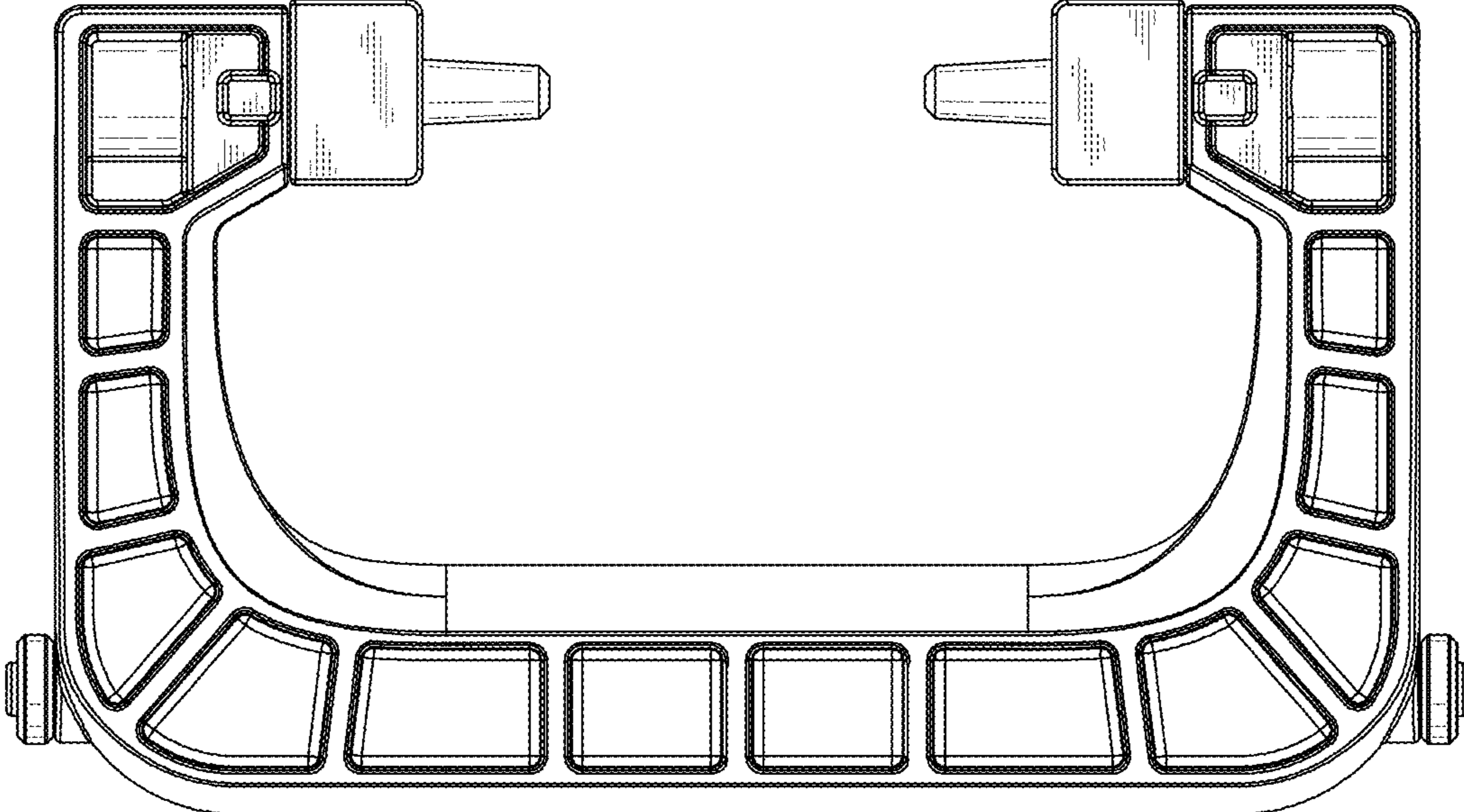


FIG 2

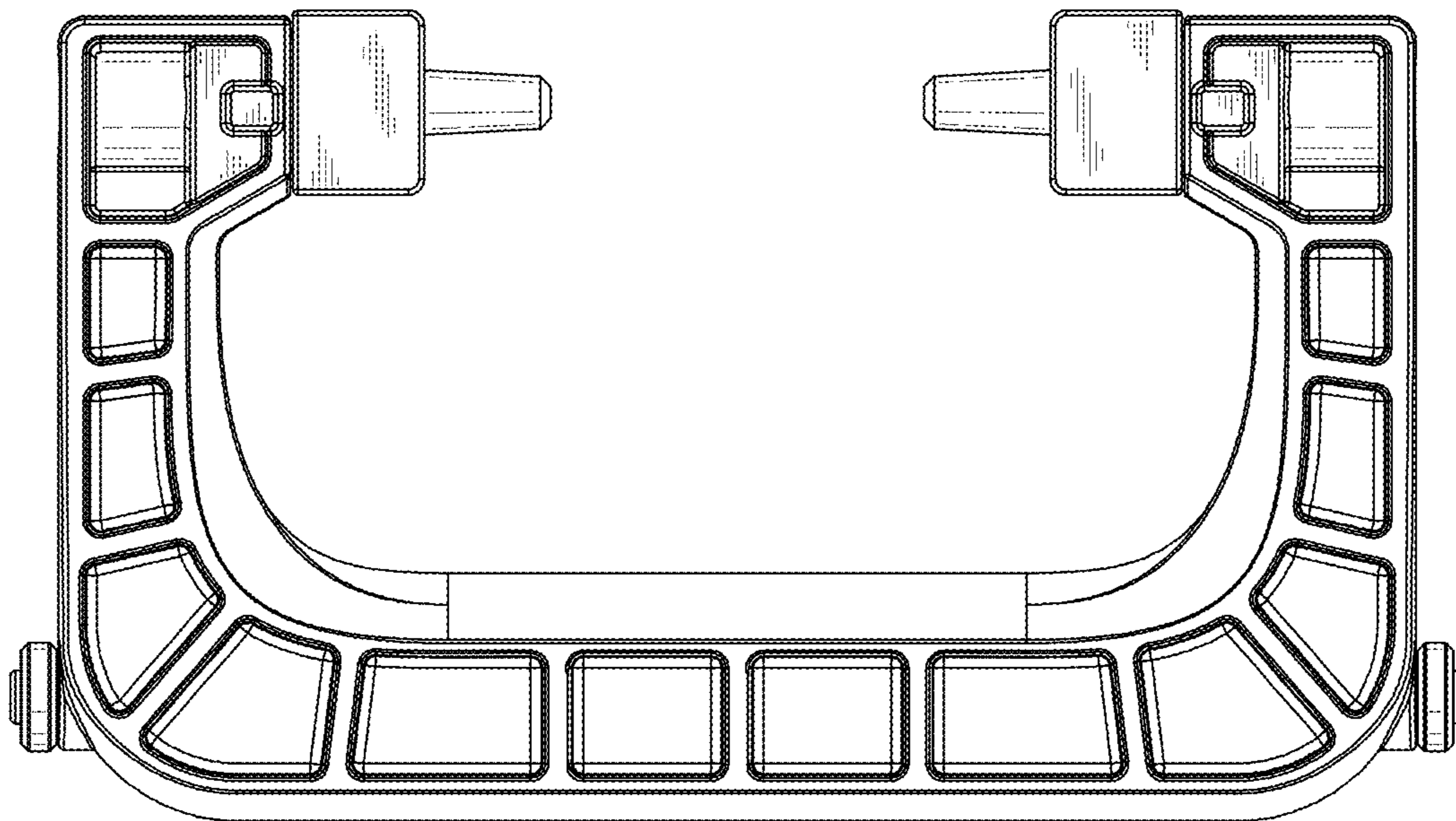


FIG 3

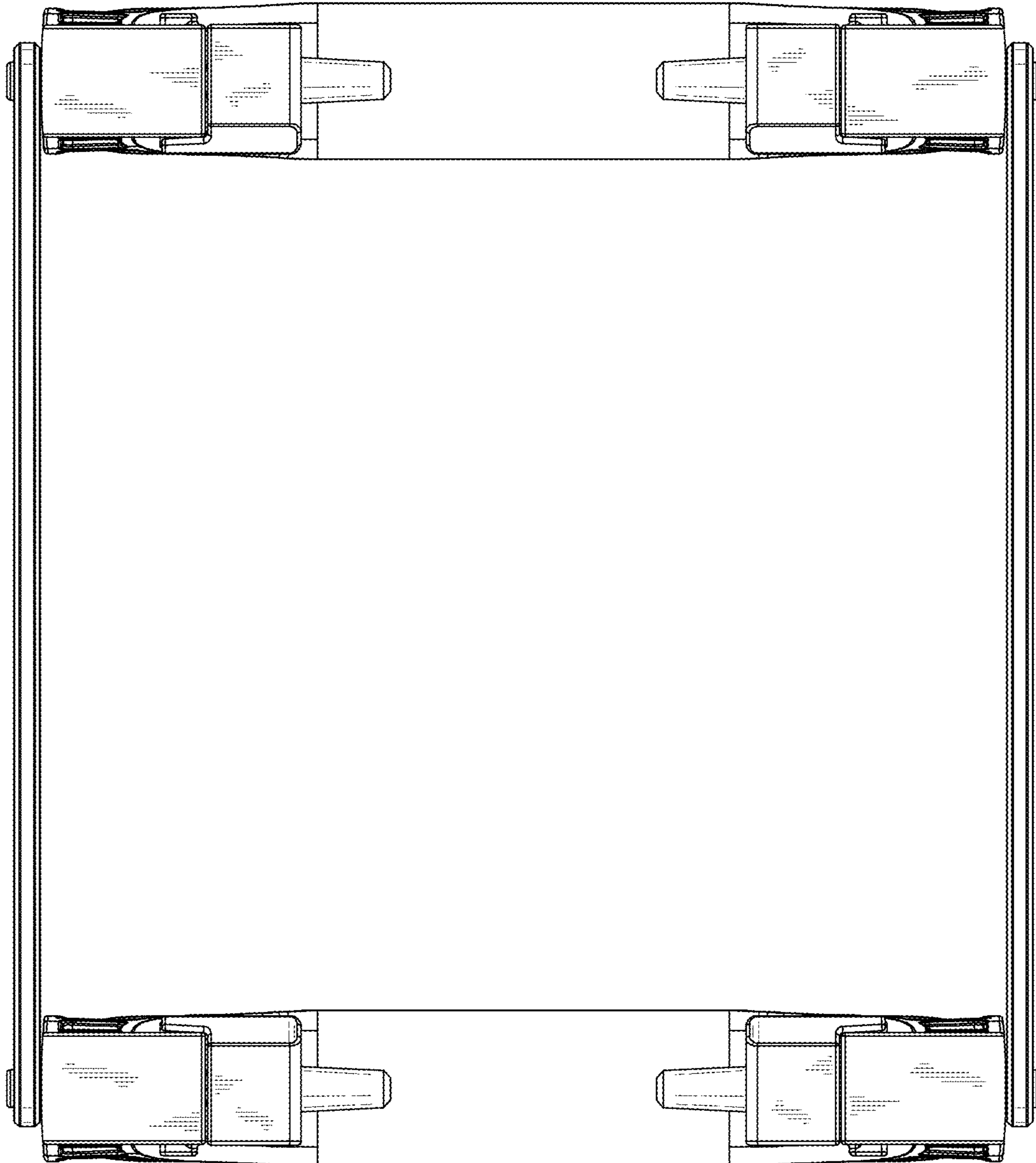


FIG 4

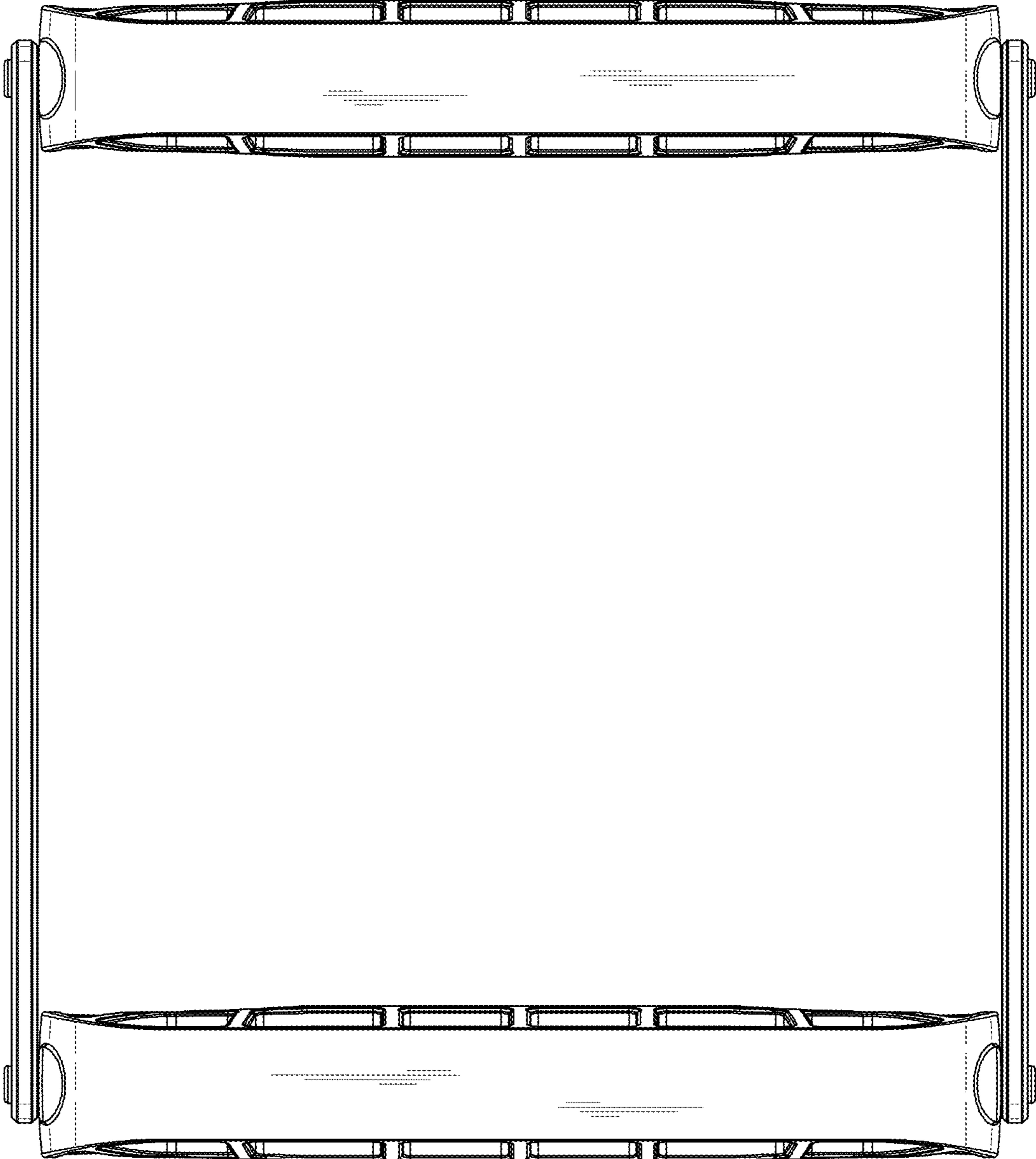


FIG 5

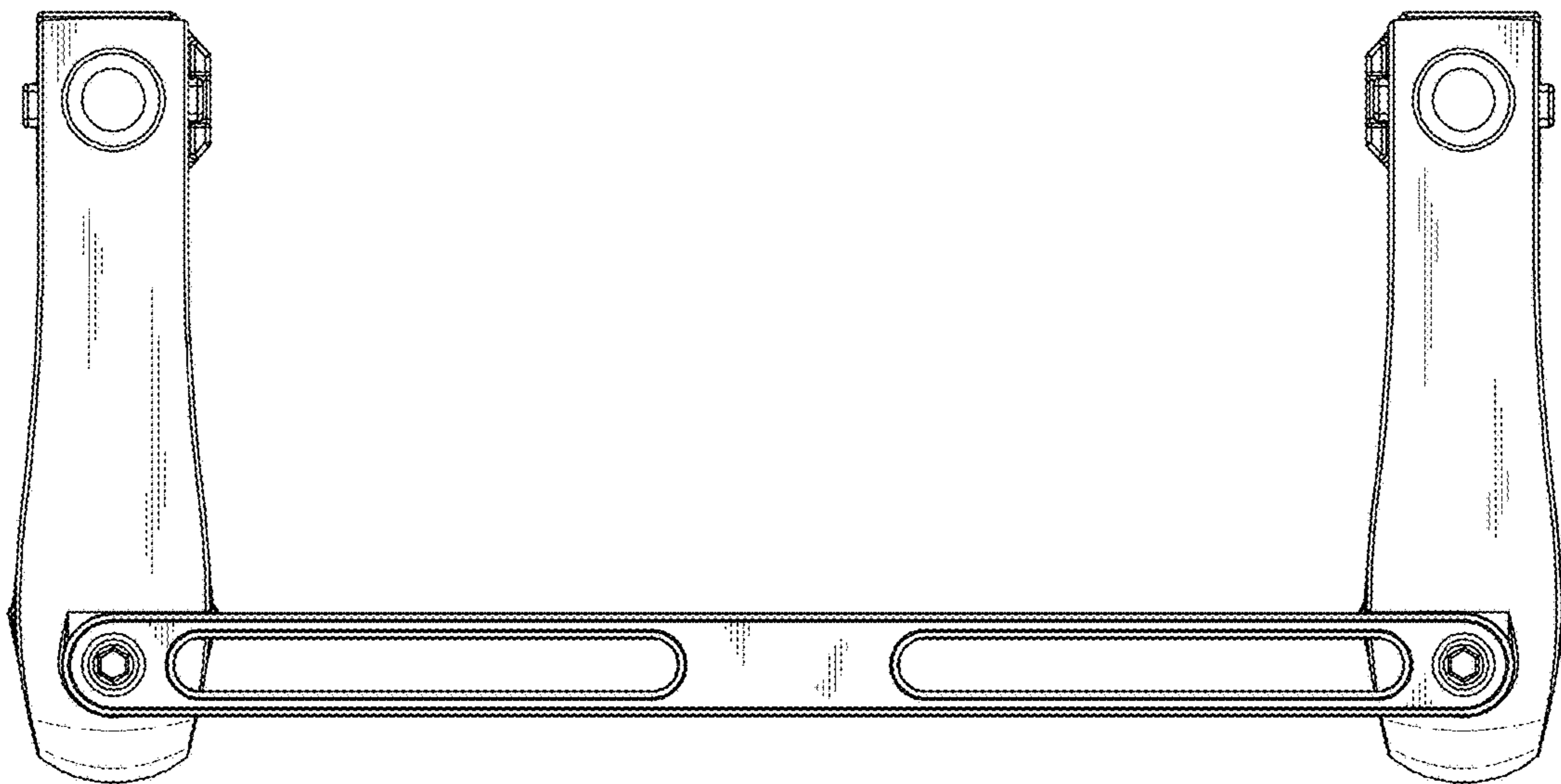


FIG 6

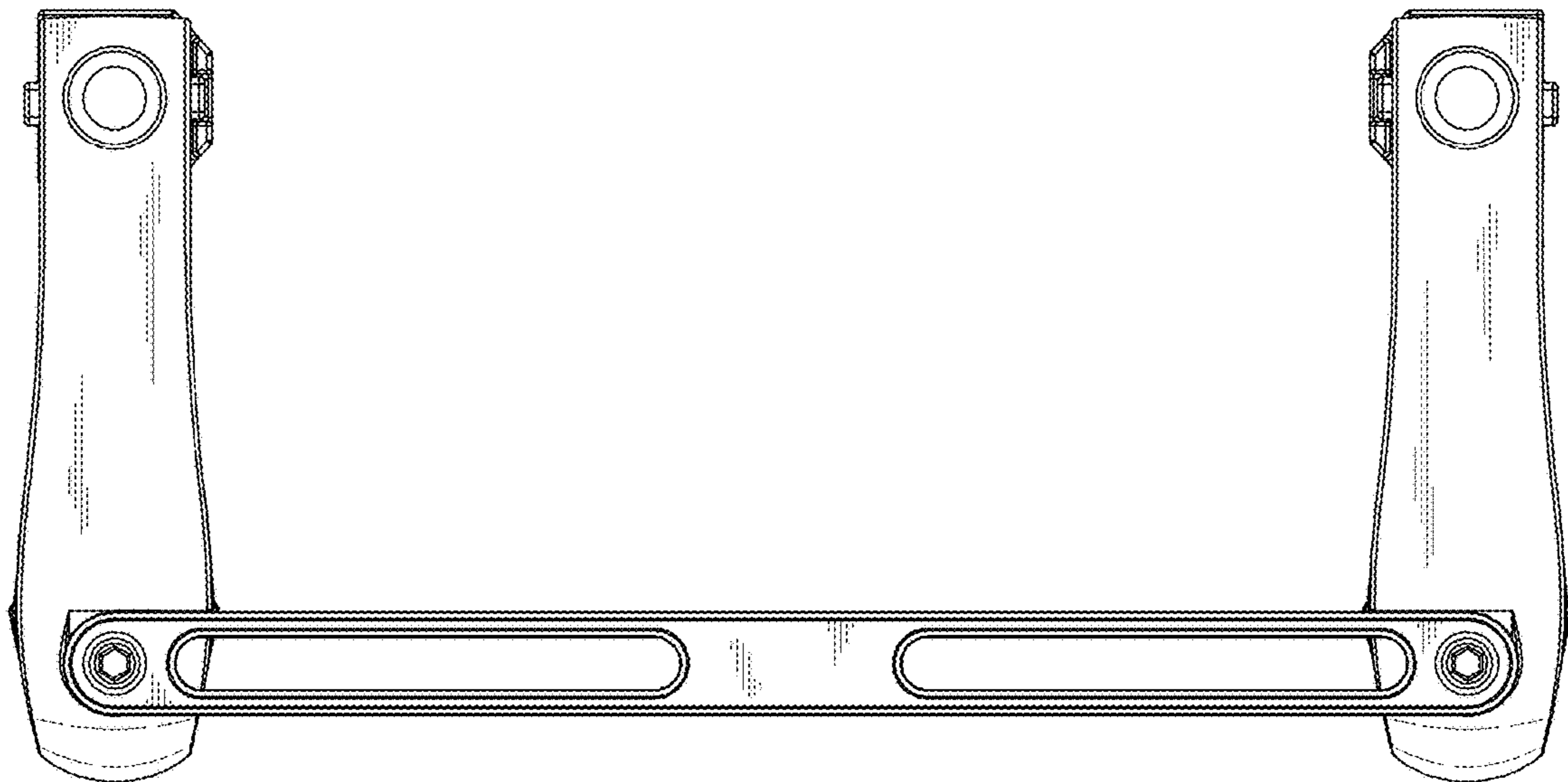


FIG 7

