



US00D824754S

(12) **United States Design Patent** (10) **Patent No.:** **US D824,754 S**
Minkovich et al. (45) **Date of Patent:** **** Aug. 7, 2018**

(54) **GUIDE BLOCK FOR GLASS PANEL**

(71) Applicant: **Bath Authority LLC**, Warminster, PA (US)

(72) Inventors: **Michael Minkovich**, Richboro, PA (US); **Vadym Mironchuk**, Southampton, PA (US); **Brian Lieb**, Philadelphia, PA (US)

(73) Assignee: **BATH AUTHORITY LLC**, Warminster, PA (US)

(**) Term: **15 Years**

(21) Appl. No.: **29/578,674**

(22) Filed: **Sep. 23, 2016**

(51) **LOC (11) Cl.** **08-05**

(52) **U.S. Cl.**
USPC **D8/380**

(58) **Field of Classification Search**
USPC D8/321, 380, 381, 400, 373, 354, 355; 16/193; 49/445, 447, 360, 411, 413, 414, 49/425; 4/607
CPC E05Y 2900/114; E05Y 2800/672; E05Y 2201/688; E05D 15/063; E05D 15/0669; E05D 15/0691; E05D 15/0656; A47K 3/34; E06B 3/4636; E06B 3/4681; E06B 3/02

See application file for complete search history.

(56) **References Cited**

U.S. PATENT DOCUMENTS

1,876,881 A	9/1932	Durant
2,750,622 A	6/1956	Stark
2,939,167 A	6/1960	Preston
2,949,626 A	8/1960	Blackmer
3,000,046 A	9/1961	Foltz
3,205,529 A	9/1965	Vintan
3,454,979 A	7/1969	Harbertson

4,178,718 A *	12/1979	Laby	A47K 3/34
			49/411
D275,247 S *	8/1984	Sherman	D6/553
D285,286 S *	8/1986	Sharpe	248/67.5
D288,661 S *	3/1987	Sharpe	D8/356
D358,750 S *	5/1995	Regitko	D8/71
D371,301 S *	7/1996	Jacoff	D8/71
5,807,036 A *	9/1998	Lostlen	B23B 47/287
			408/115 R
6,364,261 B1 *	4/2002	Vass, Jr.	A47B 96/07
			248/220.1
D490,697 S *	6/2004	Runnalls	D8/380
D504,609 S *	5/2005	Ferguson	D8/354
D547,637 S *	7/2007	Blacker	D8/354
D556,558 S *	12/2007	Biancardi	D8/380
7,513,080 B1 *	4/2009	Showalter	E04D 13/10
			403/373

(Continued)

FOREIGN PATENT DOCUMENTS

DE	10228874	1/2004
DE	102004037938	4/2006
DE	102010034541	5/2011

Primary Examiner — Shannon W Morgan

Assistant Examiner — Altaira J Swangin

(74) *Attorney, Agent, or Firm* — Fox Rothschild LLP

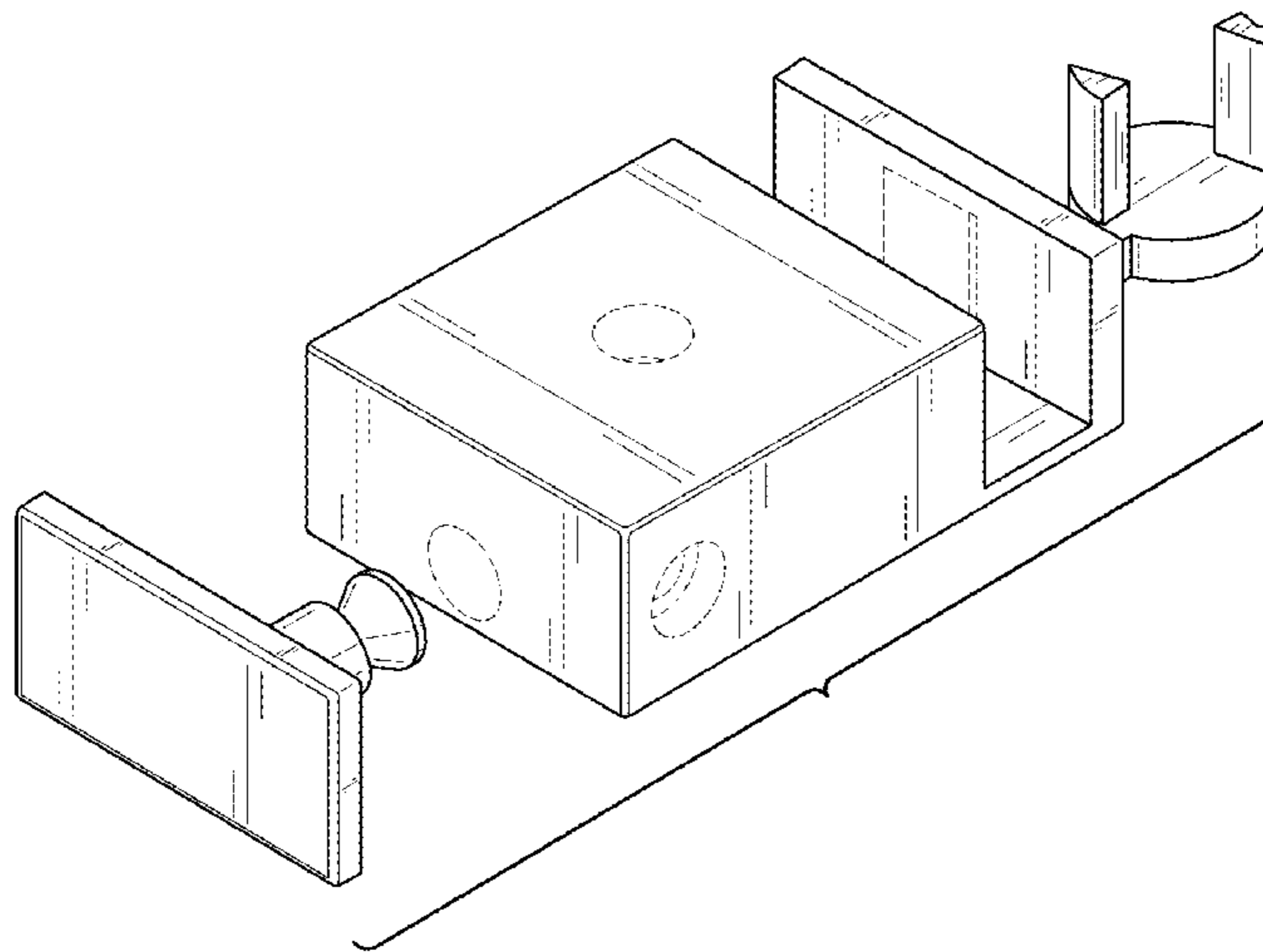
(57) **CLAIM**

The ornamental design for a guide block for glass panel, as shown and described.

DESCRIPTION

FIG. 1 is a top, right perspective view of a guide block for glass panel showing our new design; FIG. 2 is a top plan view thereof; FIG. 3 is a bottom plan view thereof; FIG. 4 is a left side elevation view thereof; FIG. 5 is a right side elevation view thereof; and, FIG. 6 is a front plan view thereof. The broken lines in the figures depict portions of the article that form no part of the claimed design.

1 Claim, 5 Drawing Sheets



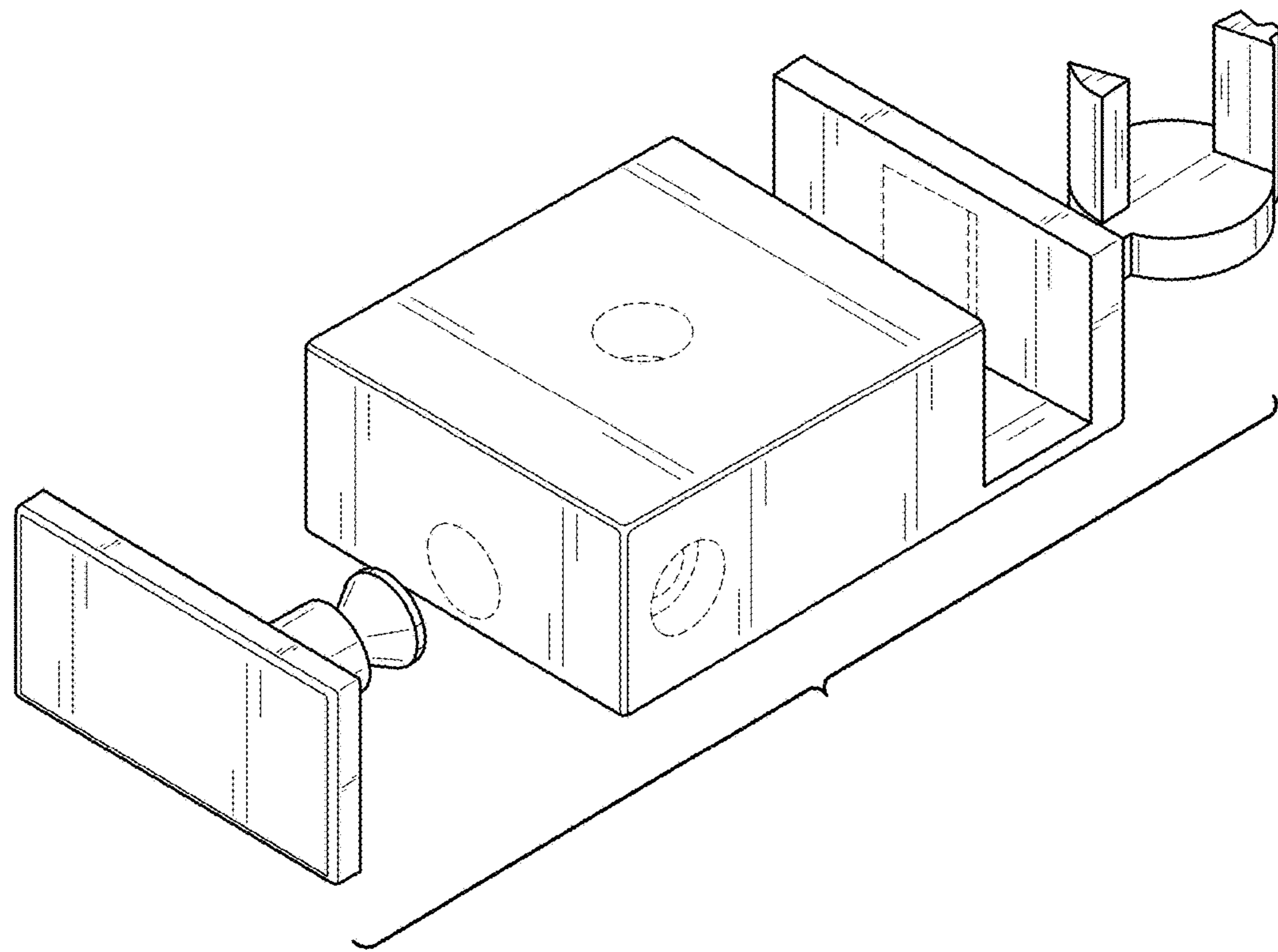


FIG. 1

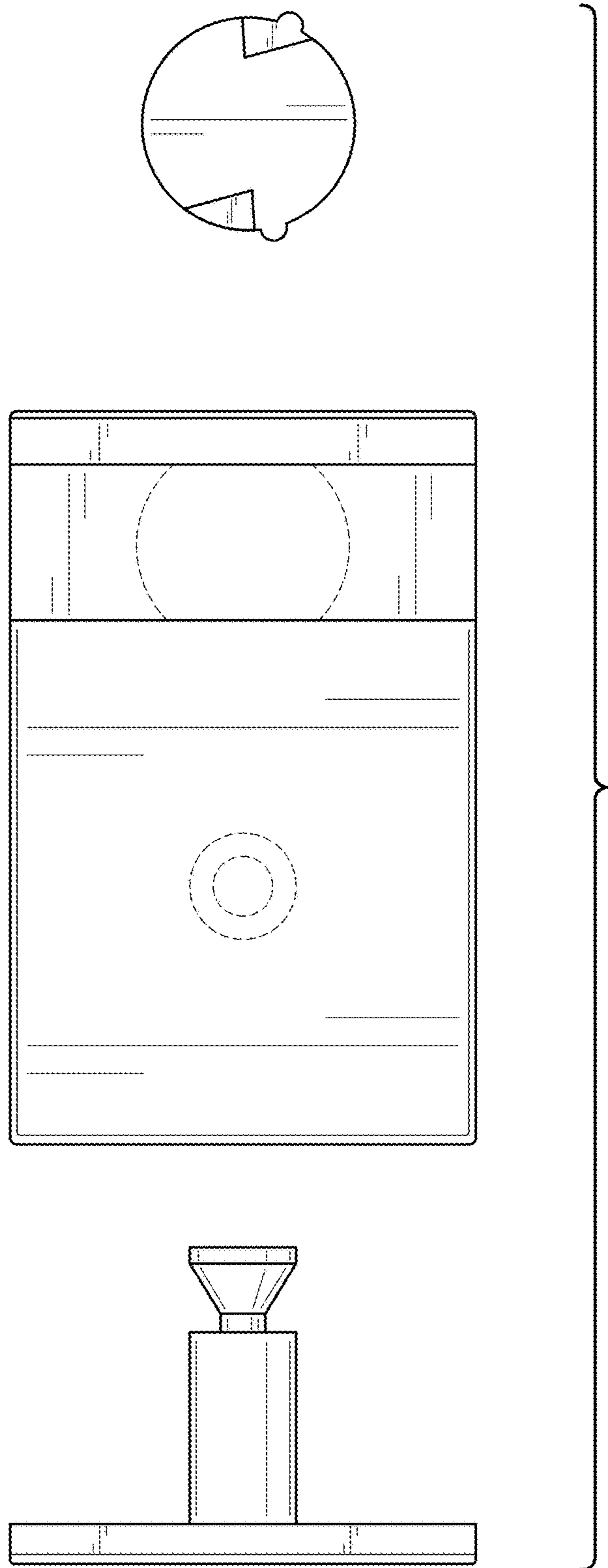


FIG. 2

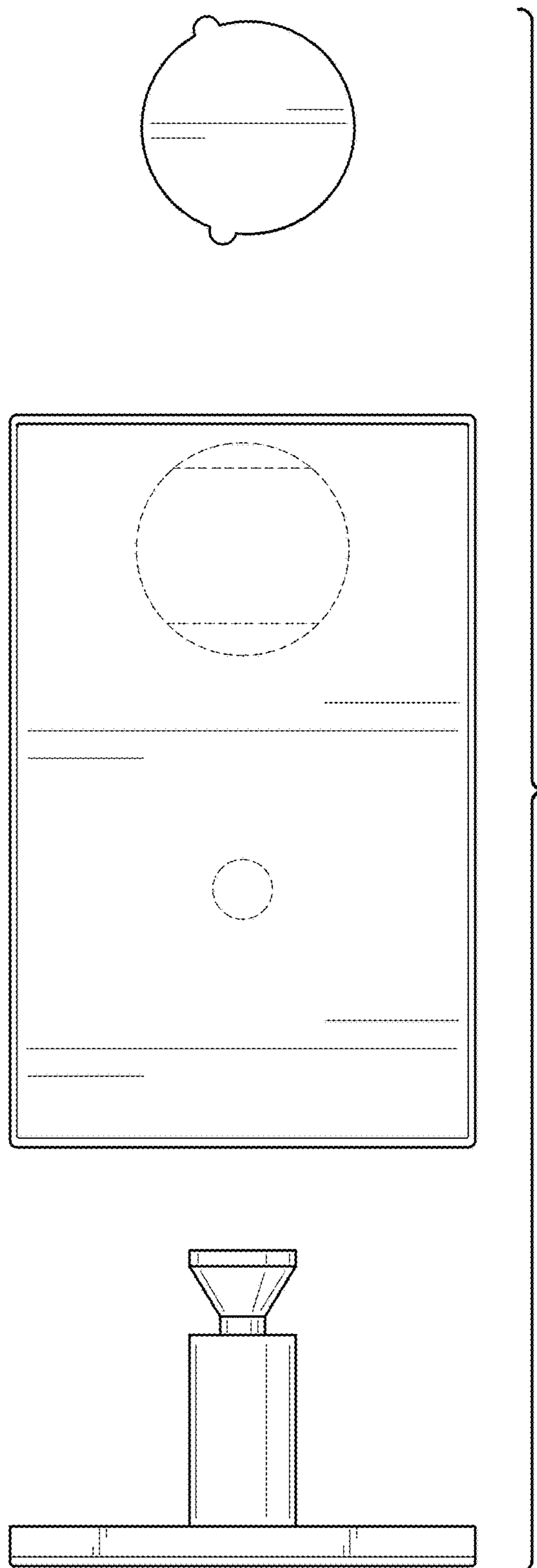
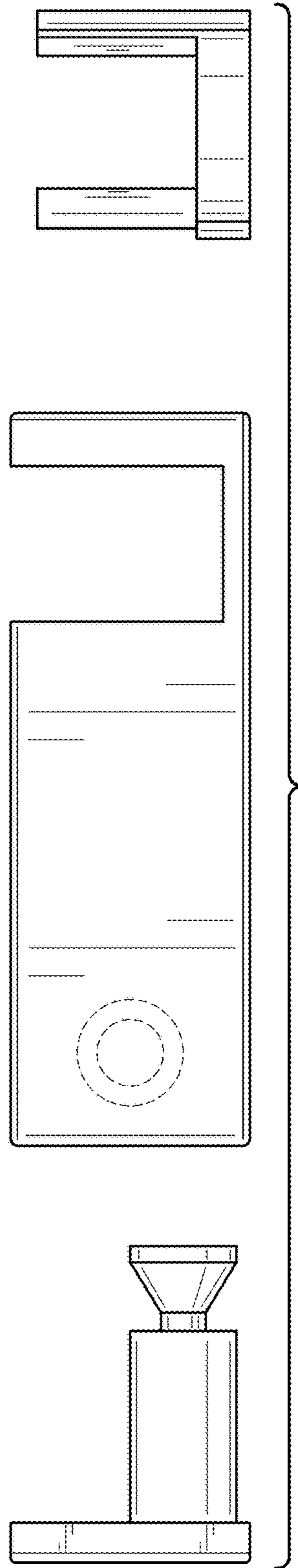
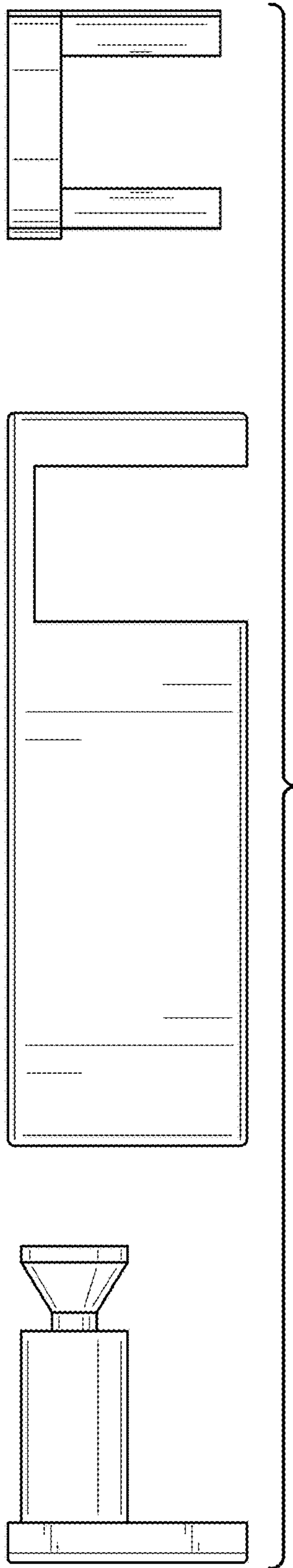


FIG. 3



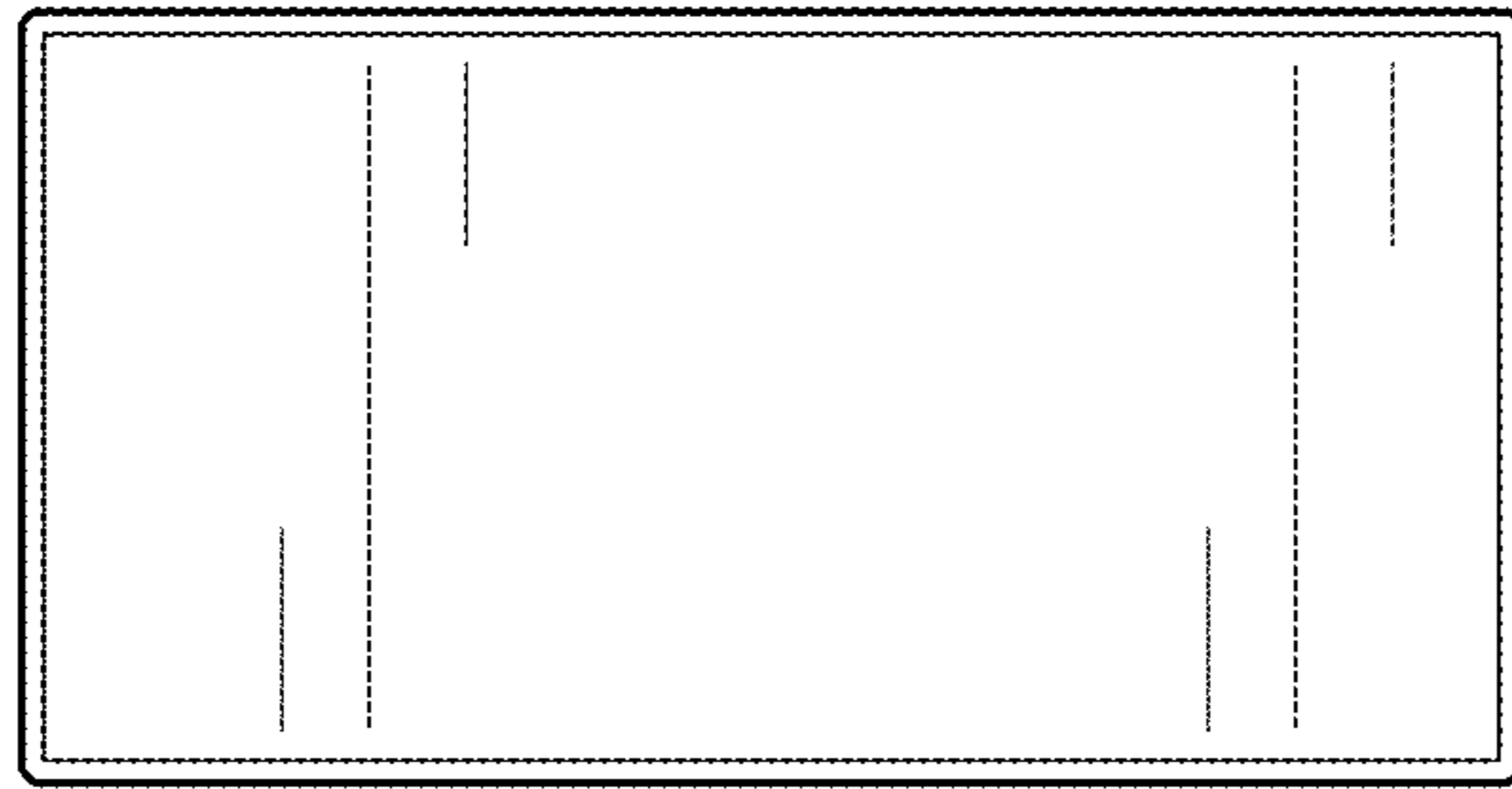


FIG. 6