



US00D824753S

(12) **United States Design Patent**
Chappus

(10) **Patent No.:** **US D824,753 S**

(45) **Date of Patent:** **** Aug. 7, 2018**

(54) **SUPPORT MEMBER FOR A TOOL MOUNTING BAR**

(71) Applicant: **Norgren Automation Solutions, LLC**,
Saline, MI (US)

(72) Inventor: **Corey Chappus**, Armada, MI (US)

(73) Assignee: **Norgren Automation Solutions, LLC**,
Saline, MI (US)

(**) Term: **15 Years**

(21) Appl. No.: **29/554,907**

(22) Filed: **Feb. 17, 2016**

Related U.S. Application Data

(62) Division of application No. 29/510,570, filed on Dec. 1, 2014, now Pat. No. Des. 753,475.

(51) **LOC (11) Cl.** **08-05**

(52) **U.S. Cl.**
USPC **D8/380**

(58) **Field of Classification Search**
USPC D8/16, 18, 19, 20, 105, 356, 363, 366,
D8/370-377, 380-382; D6/406.2;

(Continued)

(56) **References Cited**

U.S. PATENT DOCUMENTS

D136,689 S * 11/1943 Teninty D8/363
D241,310 S * 9/1976 Bolt D21/486

(Continued)

Primary Examiner — Janice Hallmark
Assistant Examiner — Eliza Z Bennett-Hattan
(74) *Attorney, Agent, or Firm* — Young Basile Hanlon & MacFarlane, P.C.

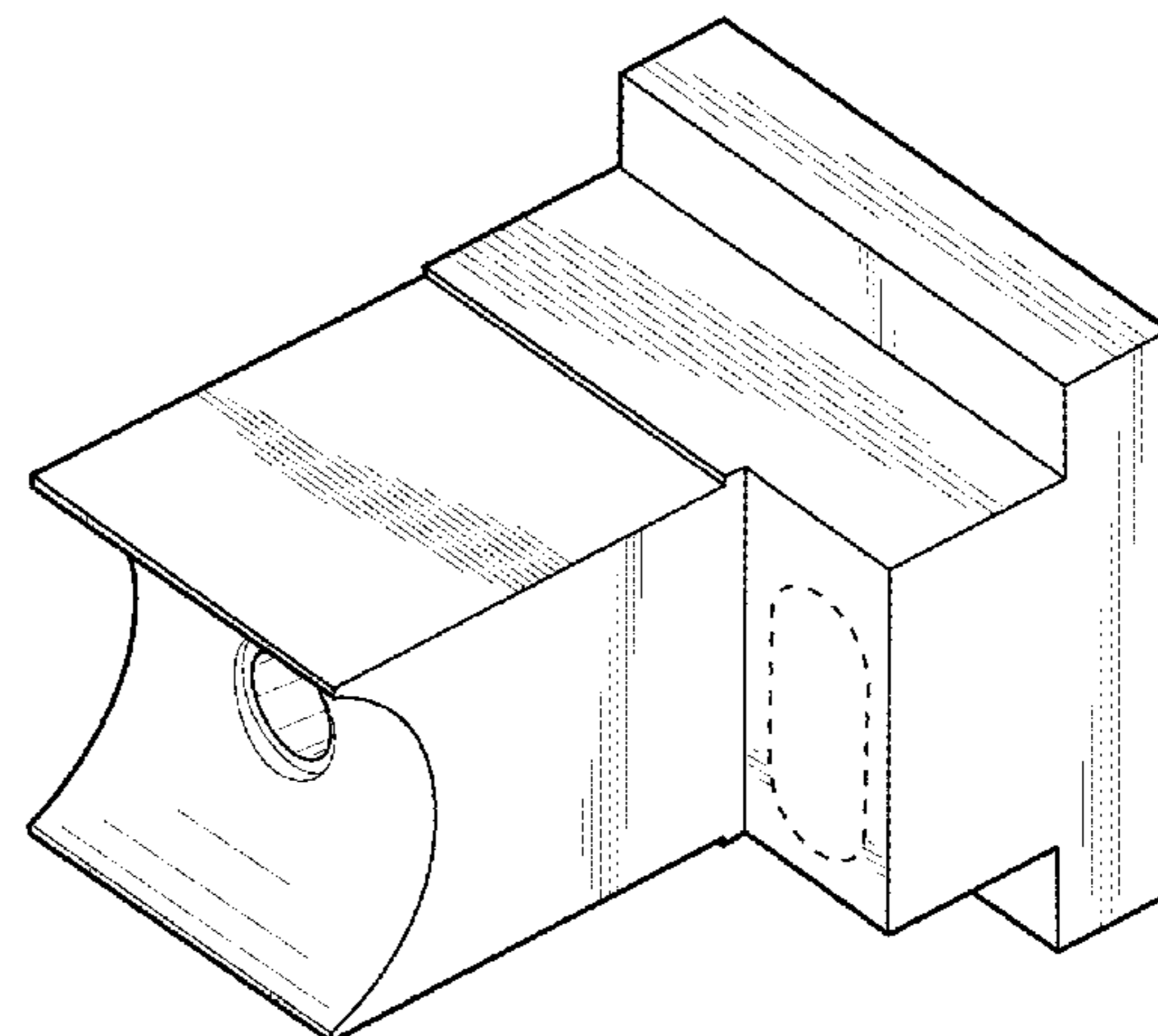
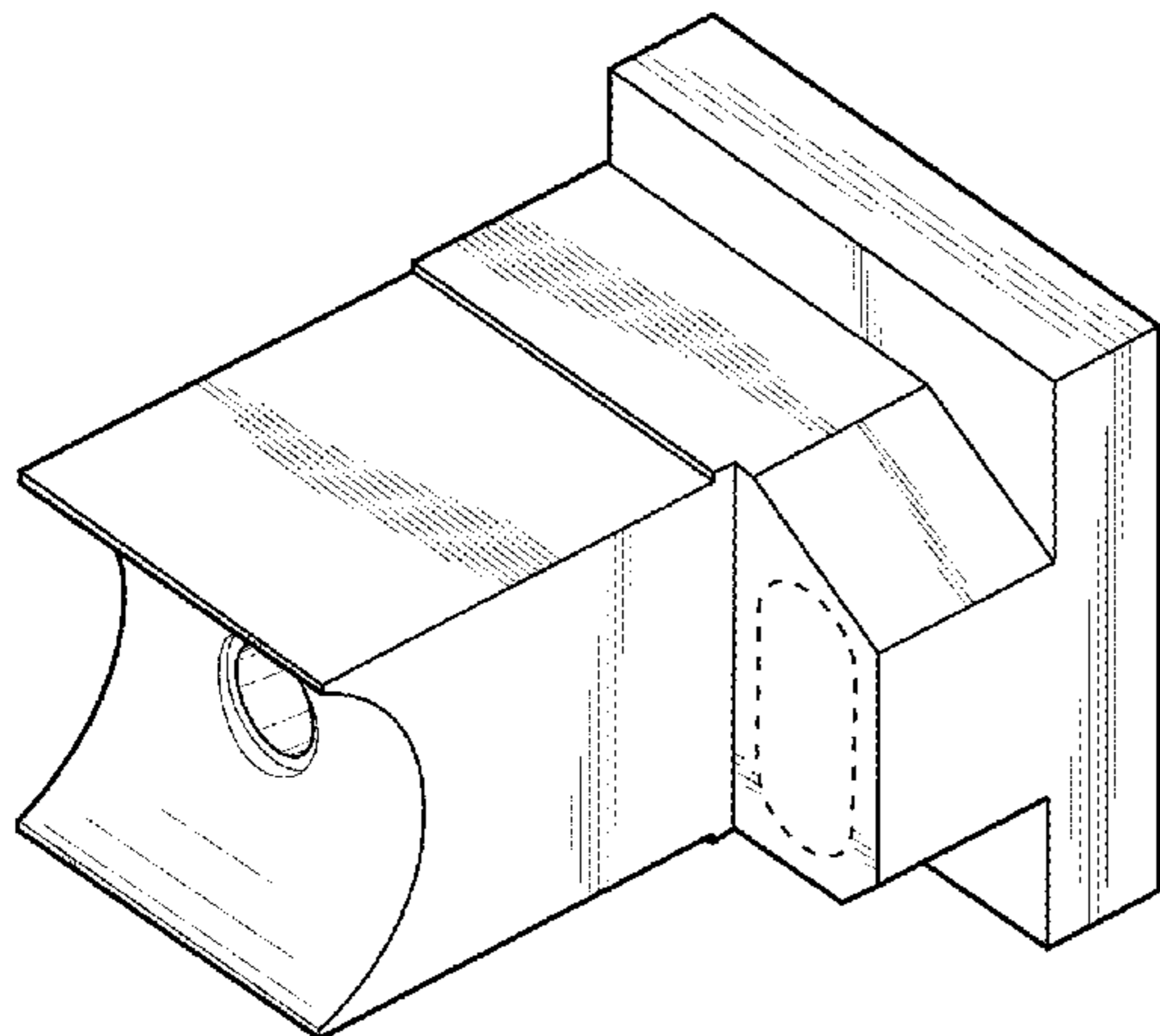
(57) **CLAIM**

The ornamental design for a support member for a tool mounting bar, as shown and described.

DESCRIPTION

FIG. 1 is a front perspective view of a support member for a tool mounting bar according to a first embodiment; FIG. 2 is a right side view of the support member of FIG. 1; FIG. 3 is a front view of the support member of FIG. 1; FIG. 4 is a left side view of the support member of FIG. 1; FIG. 5 is a top view of the support member of FIG. 1; FIG. 6 is a rear view of the support member of FIG. 1; FIG. 7 is a bottom view of the support member of FIG. 1; FIG. 8 is a front perspective view of a support member for a tool mounting bar according to a second embodiment; FIG. 9 is a right side view of the support member of FIG. 8; FIG. 10 is a front view of the support member of FIG. 8; FIG. 11 is a left side view of the support member of FIG. 8; FIG. 12 is a top view of the support member of FIG. 8; FIG. 13 is a rear view of the support member of FIG. 8; FIG. 14 is a bottom view of the support member of FIG. 8; FIG. 15 is a front perspective view of a support member for a tool mounting bar according to a fourth embodiment; FIG. 16 is a right side view of the support member of FIG. 15; FIG. 17 is a front view of the support member of FIG. 15; FIG. 18 is a left side view of the support member of FIG. 15; FIG. 19 is a top view of the support member of FIG. 15; FIG. 20 is a rear view of the support member of FIG. 15; and, FIG. 21 is a bottom view of the support member of FIG. 15. The broken lines depict portions of the support member for a tool mounting bar that form no part of the claimed design.

1 Claim, 9 Drawing Sheets



(58) **Field of Classification Search**
 USPC D12/106, 48; D34/33, 35, 36; D15/122,
 D15/125, 126, 138, 140
 CPC B65G 47/917; B65G 49/061; B65G
 2249/045; B66C 1/0231; Y10S 269/91;
 Y10S 414/13; B25B 11/005; B66F 9/181;
 Y10T 74/20305; Y10T 29/49947; A61B
 19/2203; B21D 43/05; B21D 43/052;
 B21D 43/057; B21D 43/18; F16L 27/12;
 A47F 5/0838; A47F 5/0006; A47F 5/0853
 See application file for complete search history.

(56) **References Cited**

U.S. PATENT DOCUMENTS

D270,516 S	9/1983	Achille	
D296,417 S *	6/1988	Misono	248/74.2
D369,363 S	4/1996	Mihic	
5,733,097 A	3/1998	Herbermann et al.	
5,746,567 A	5/1998	Herbermann et al.	
5,909,998 A	6/1999	Herbermann et al.	
D412,511 S	8/1999	Lefevre	
D416,918 S	11/1999	Jacobson et al.	

6,244,814 B1	6/2001	Herbermann et al.	
6,416,273 B1	7/2002	Herbermann et al.	
D469,939 S	2/2003	Speckhart, Jr. et al.	
6,626,629 B2	9/2003	Herbermann et al.	
6,860,705 B1	3/2005	Dietrich et al.	
D504,609 S *	5/2005	Ferguson	D8/354
D529,524 S	10/2006	Duncan	
D538,315 S	3/2007	Bernhardt	
D585,268 S *	1/2009	Woolley	D6/550
D615,852 S *	5/2010	Sullivan	D8/380
D616,290 S *	5/2010	Sullivan	D6/556
7,748,107 B2	7/2010	Hurst et al.	
8,024,852 B1	9/2011	Hurst et al.	
8,122,581 B1	2/2012	Hurst et al.	
D671,394 S	11/2012	Derry	
8,371,631 B2	2/2013	Lin	
8,607,441 B1	12/2013	Hurst et al.	
8,684,418 B2	4/2014	Lin et al.	
8,702,340 B2	4/2014	Lin et al.	
8,770,566 B2	7/2014	Takeda	
D735,566 S *	8/2015	Wu	D8/380
D748,459 S *	2/2016	Bohne	D8/380
D753,475 S *	4/2016	Chappus	D8/380
D771,478 S *	11/2016	McCoy	D8/354
2012/0280527 A1	11/2012	Lin et al.	

* cited by examiner

FIG. 1

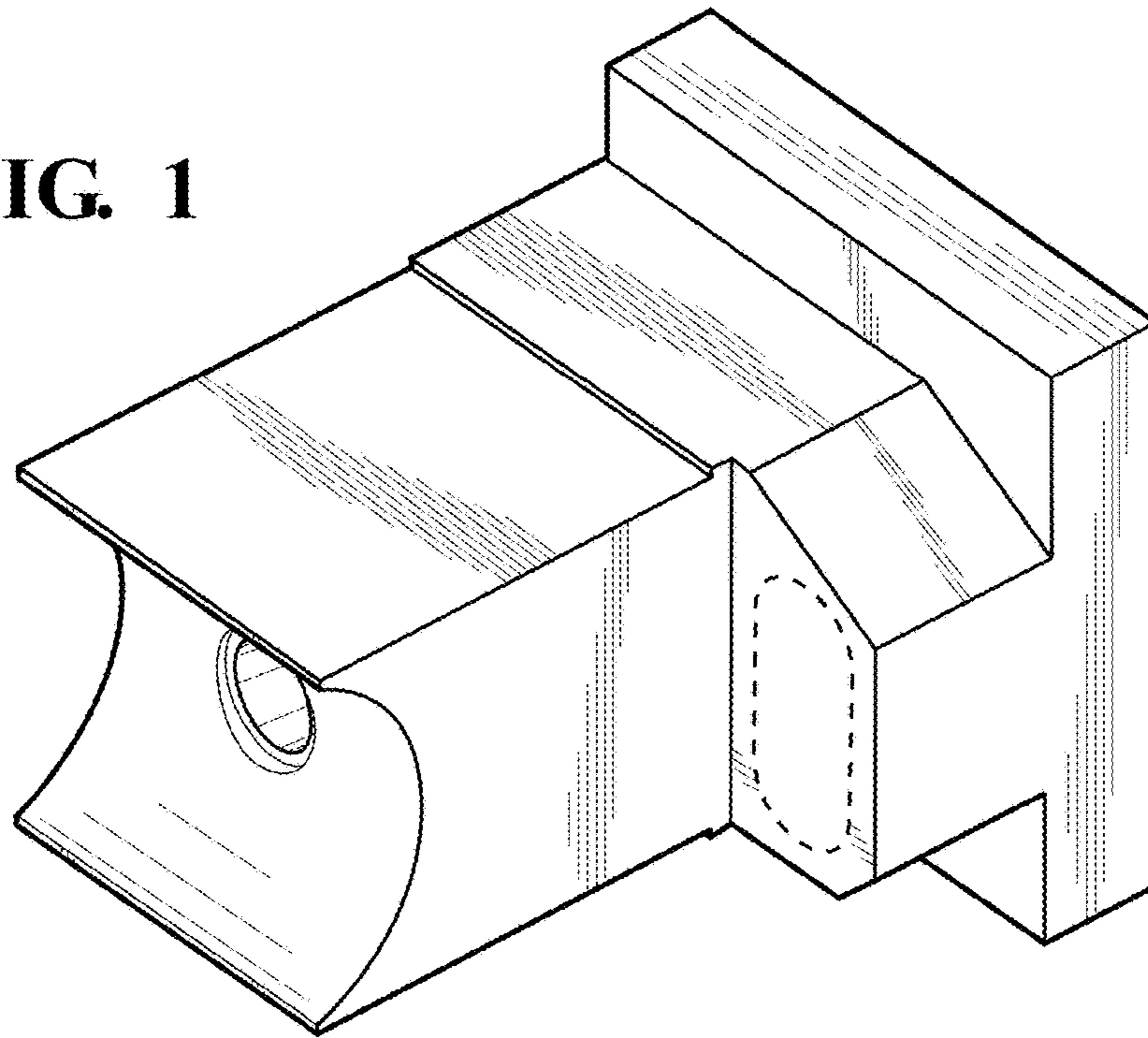


FIG. 2

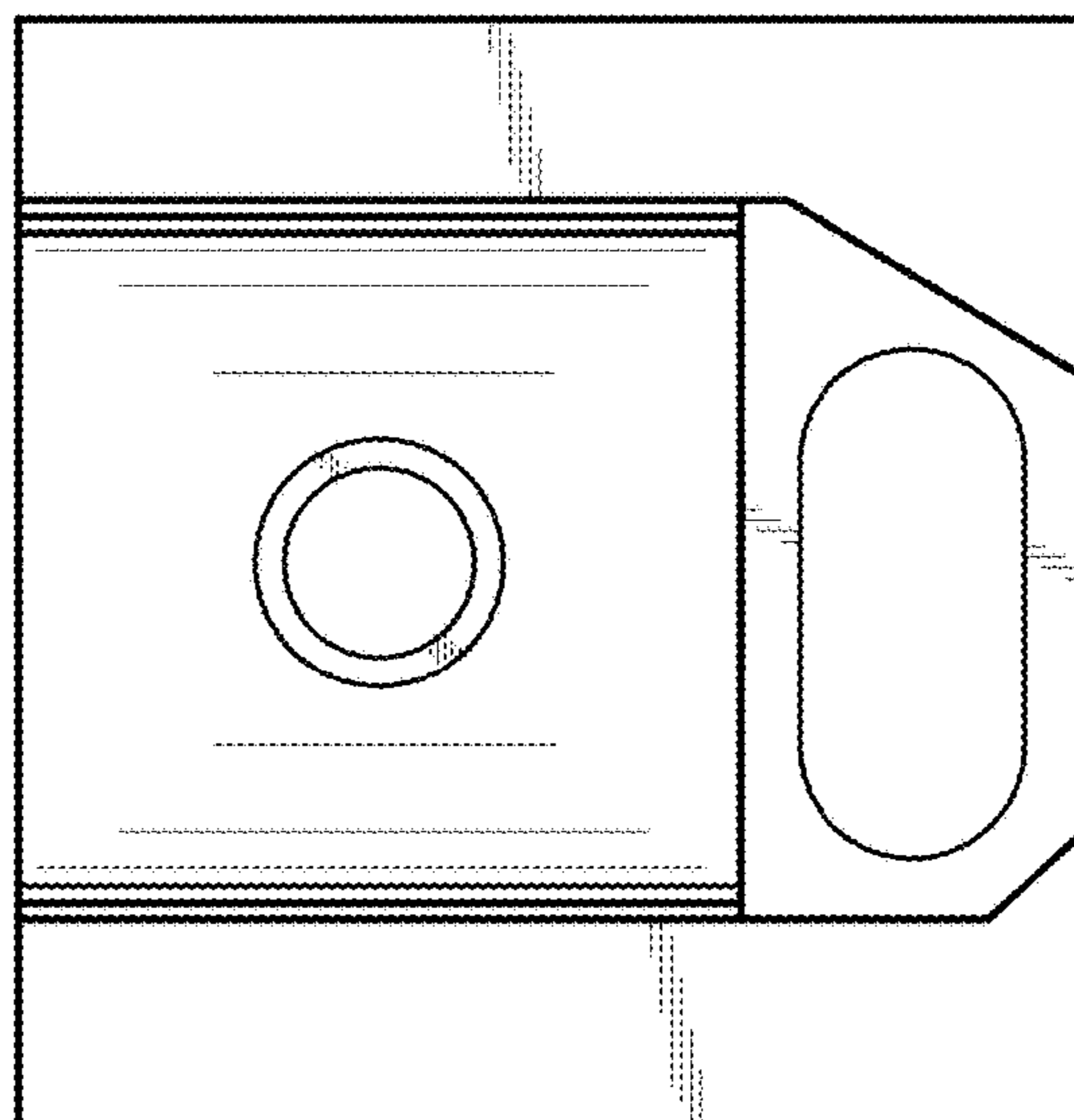


FIG. 3

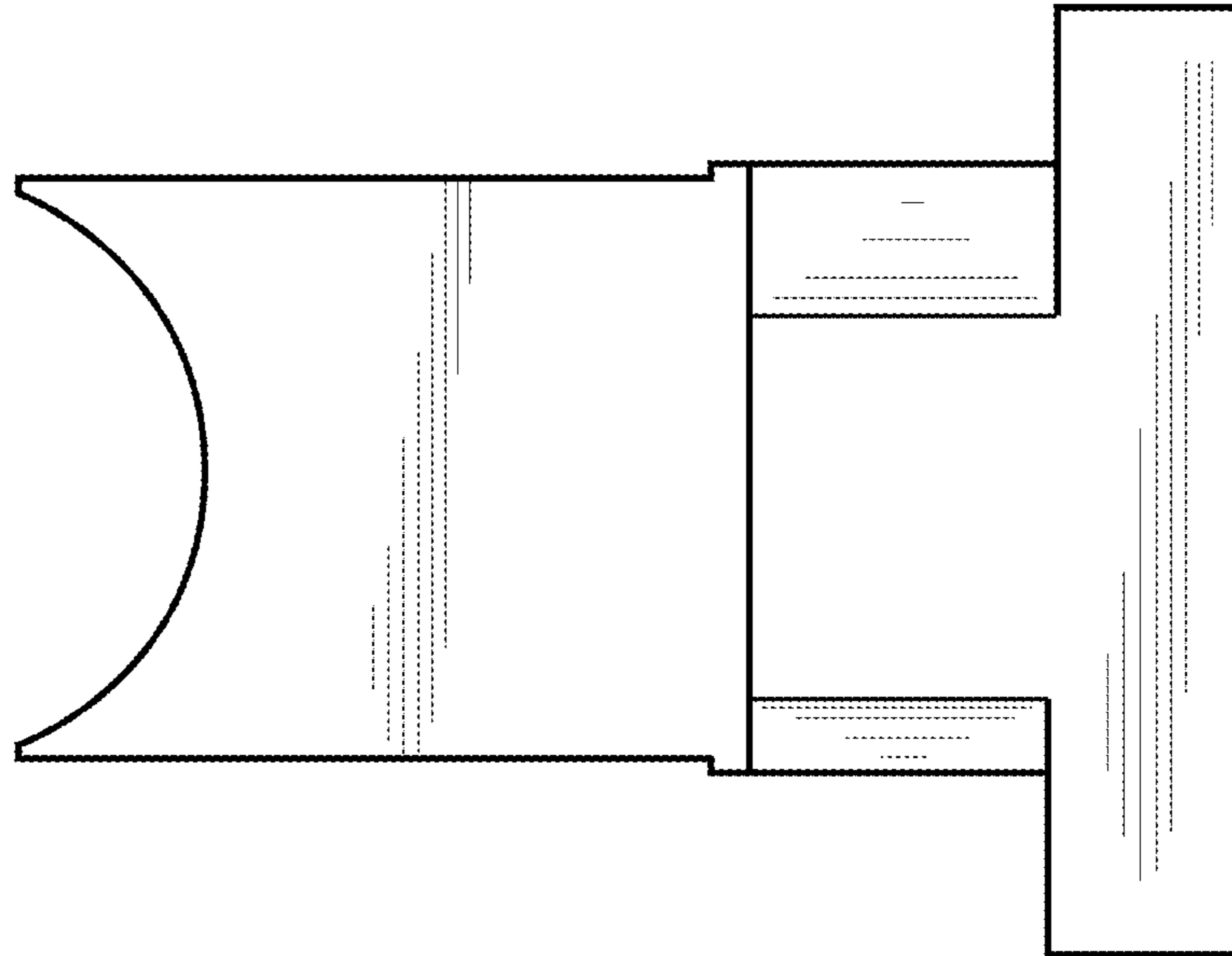


FIG. 4

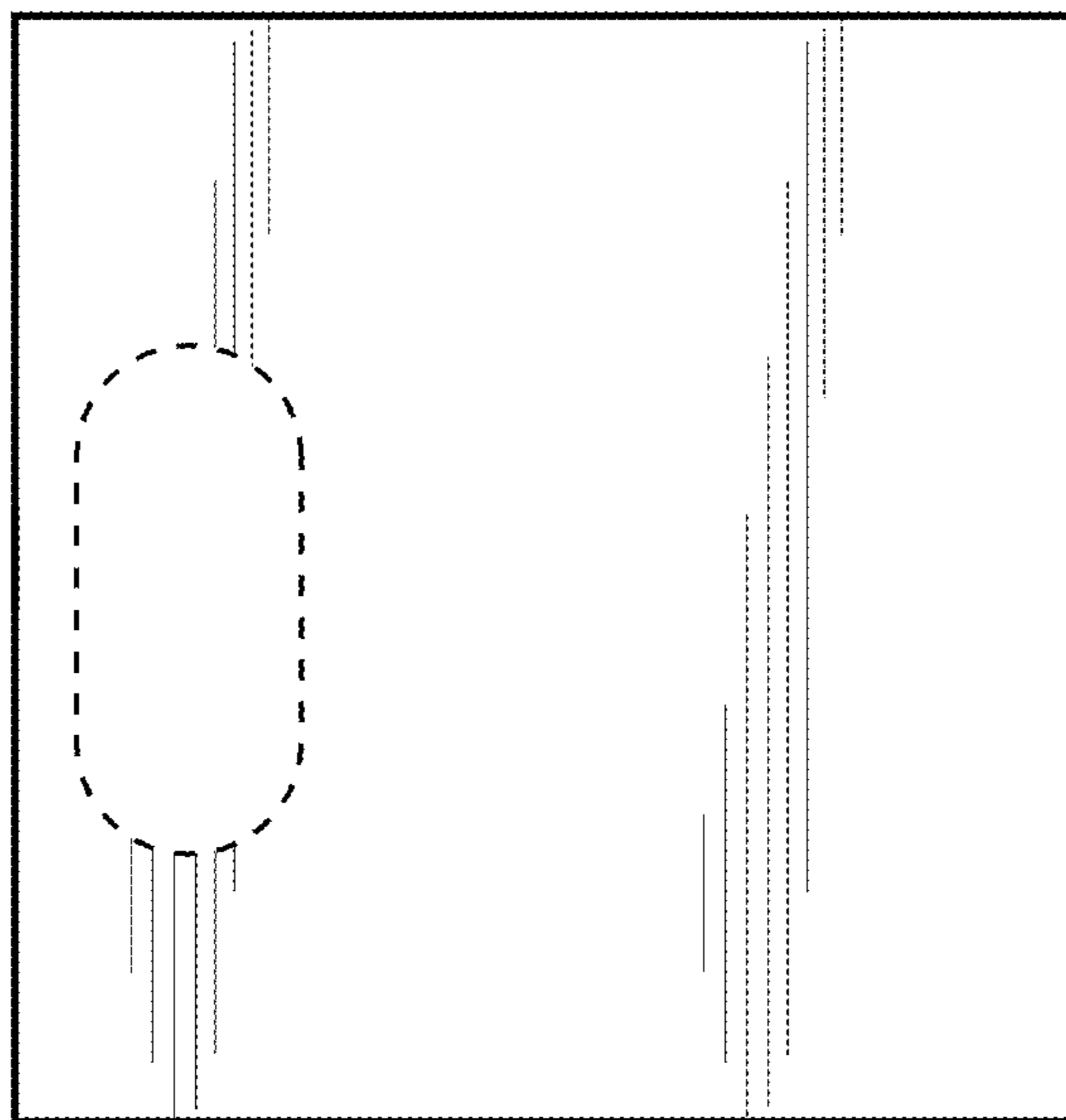


FIG. 5

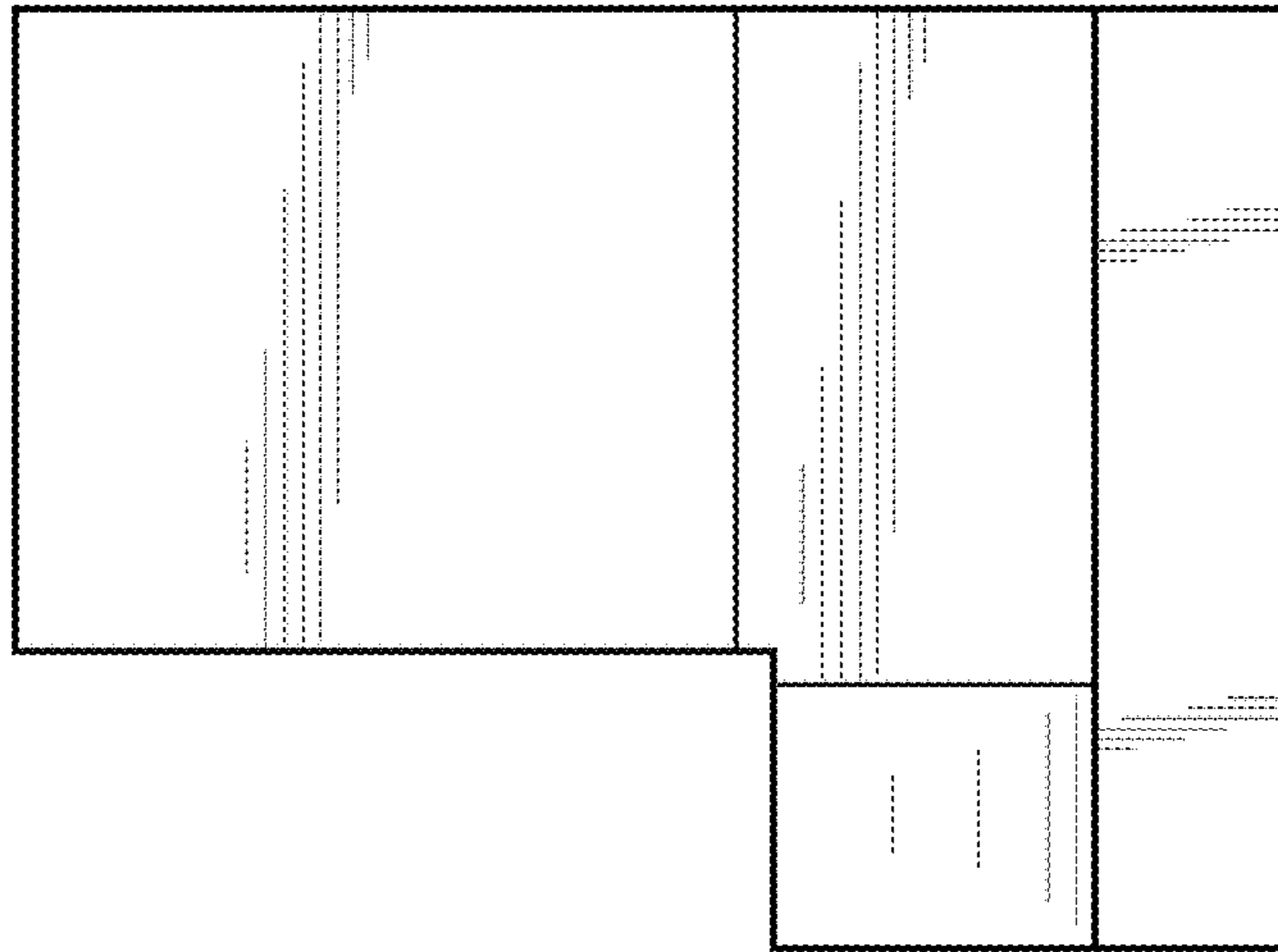


FIG. 6

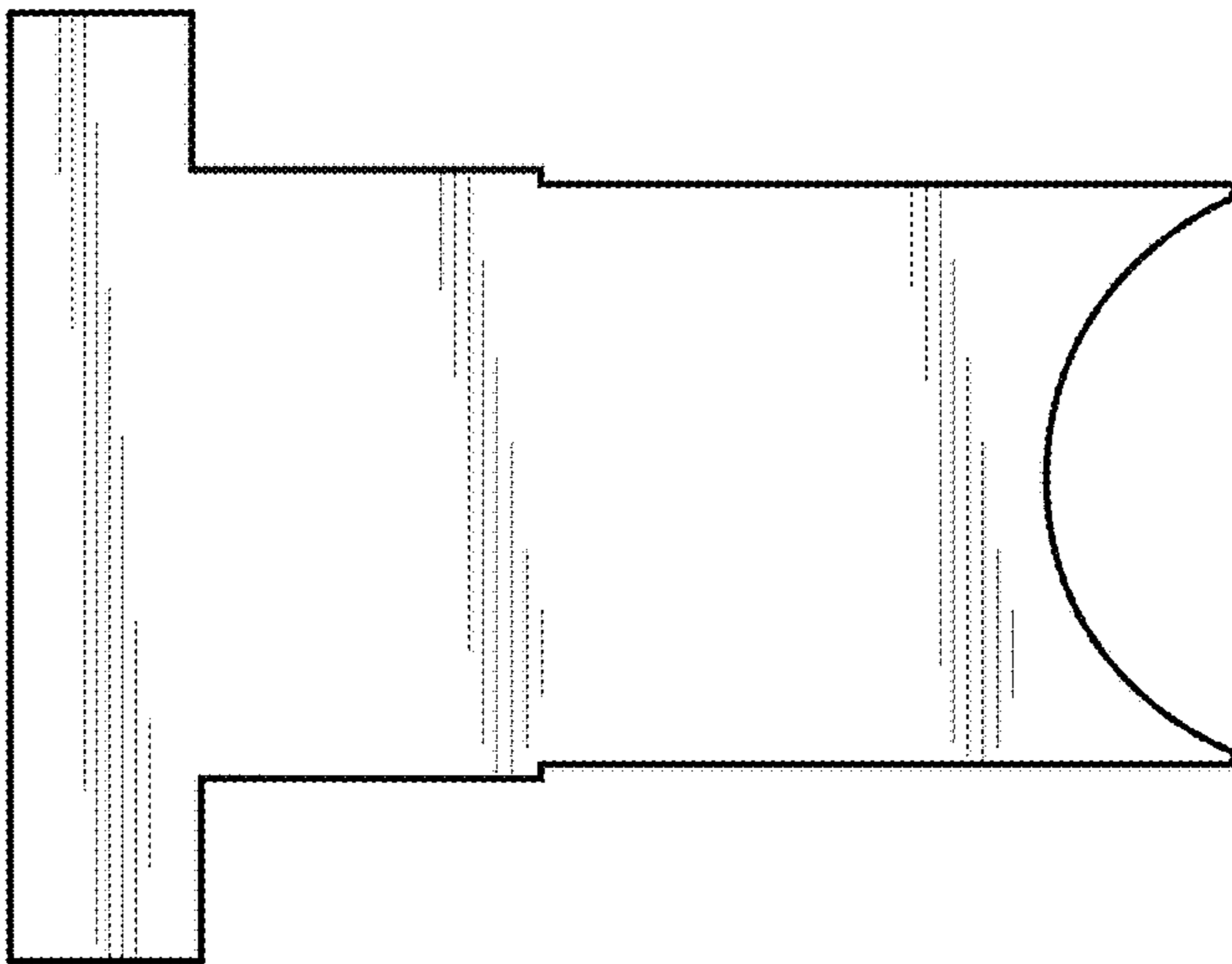


FIG. 7

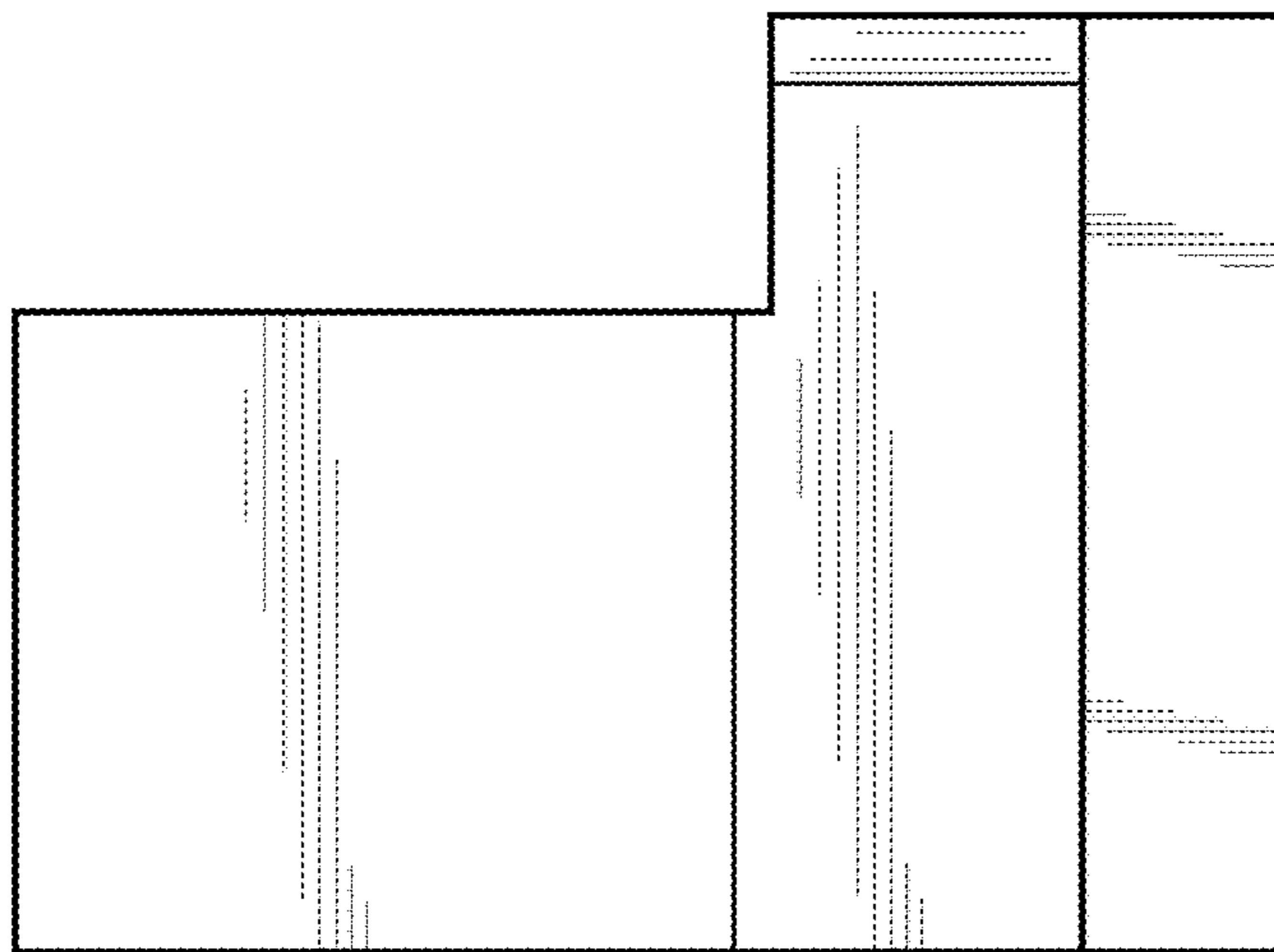


FIG. 8

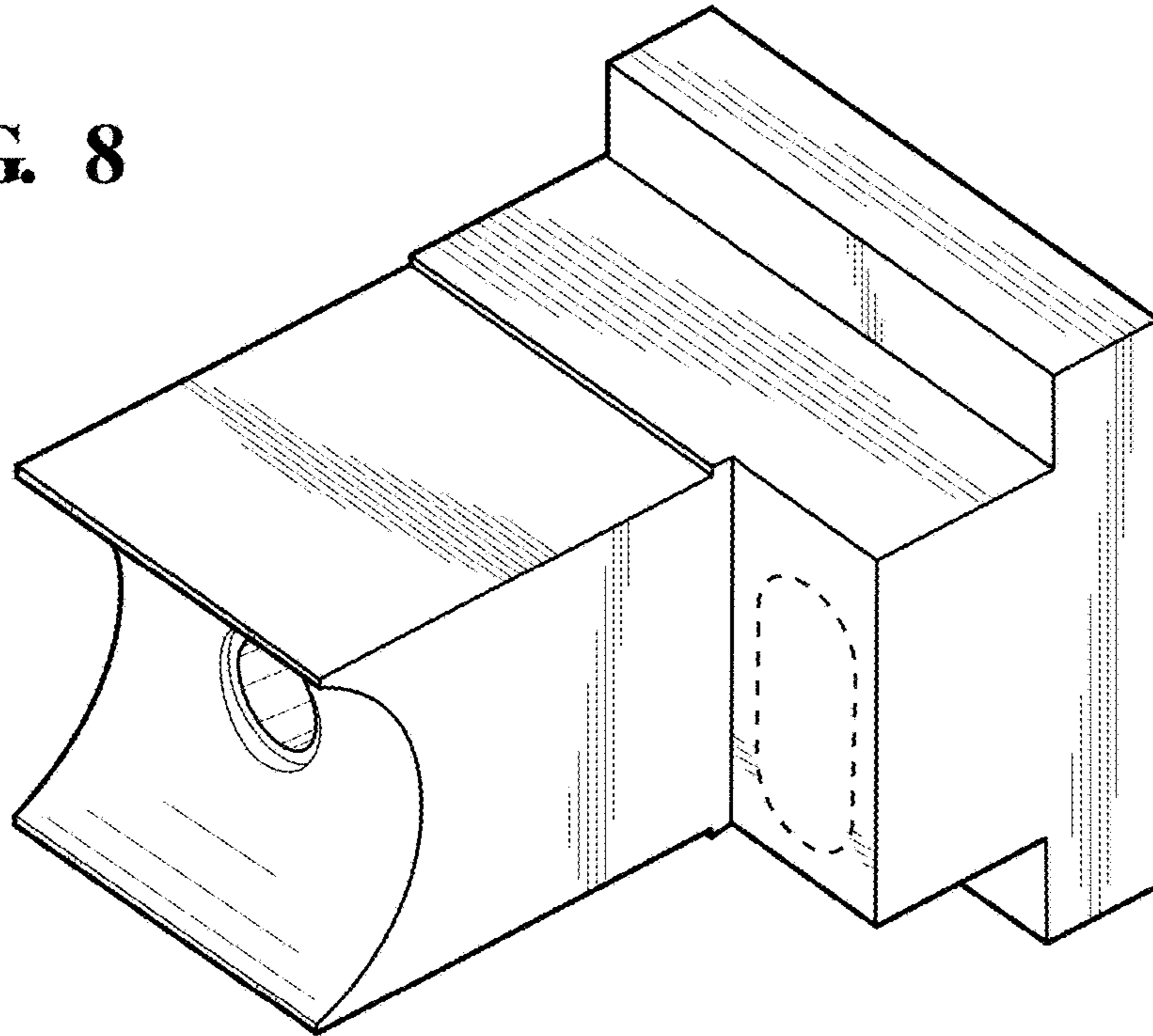


FIG. 9

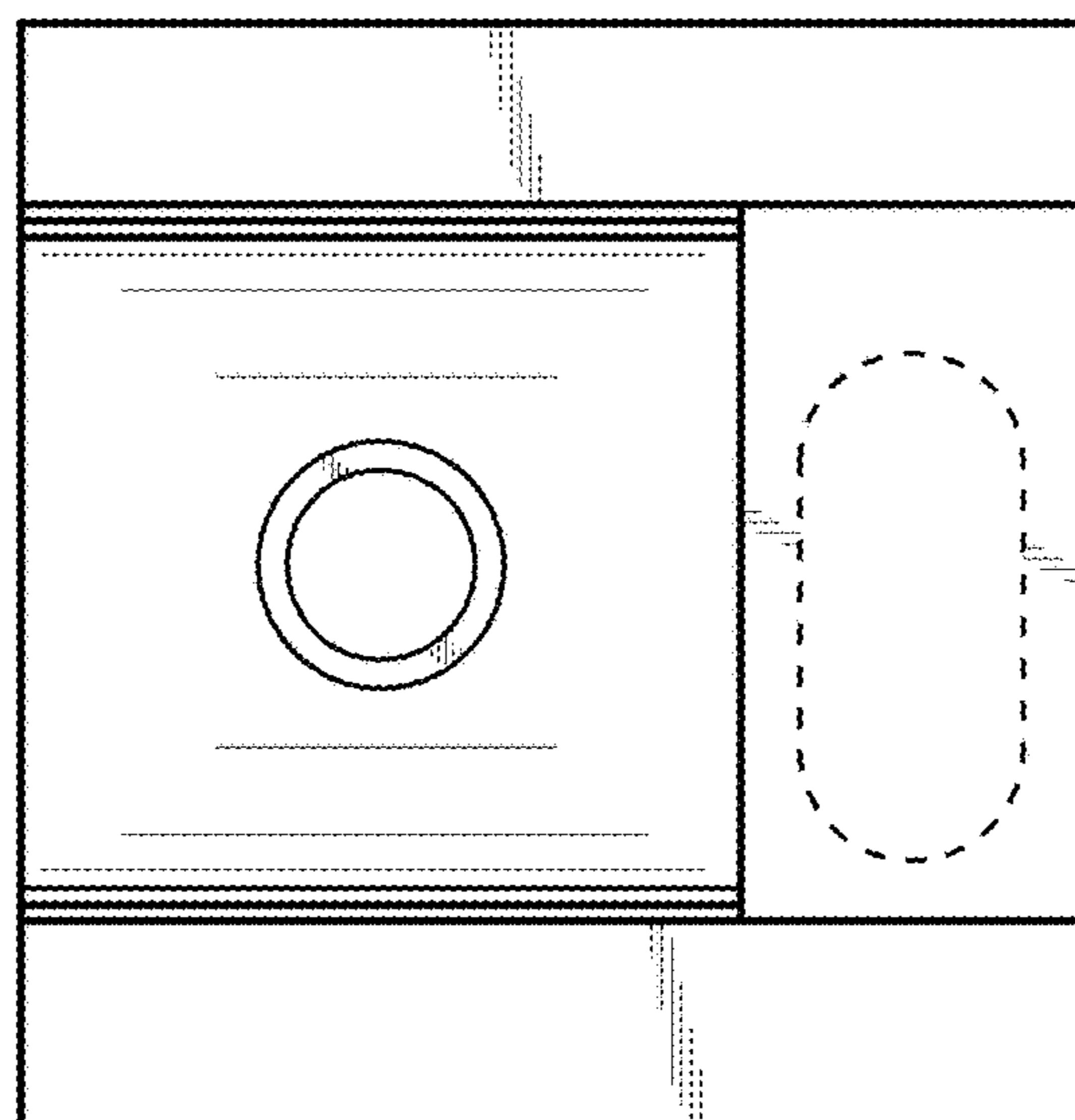


FIG. 10

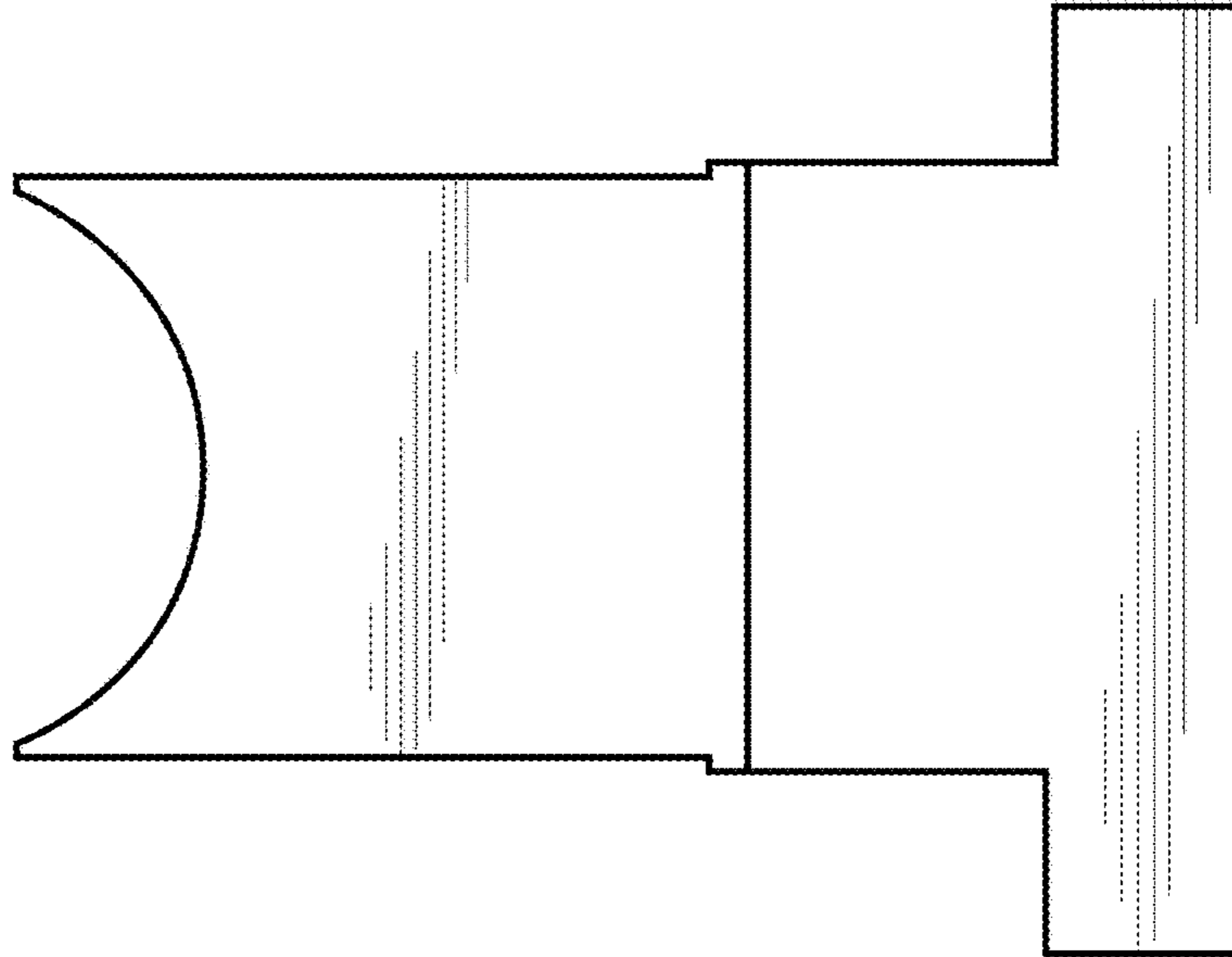


FIG. 11

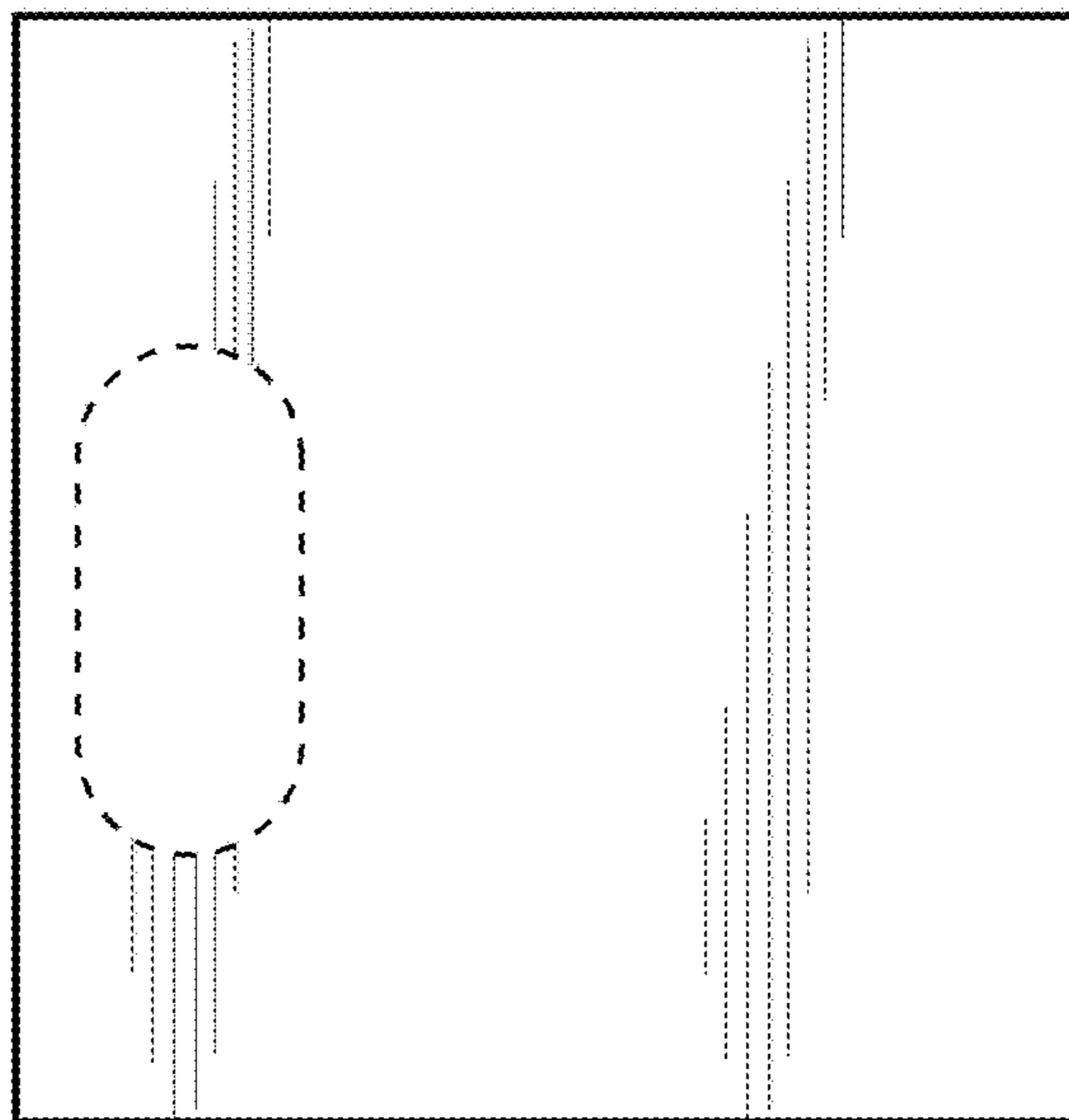


FIG. 12

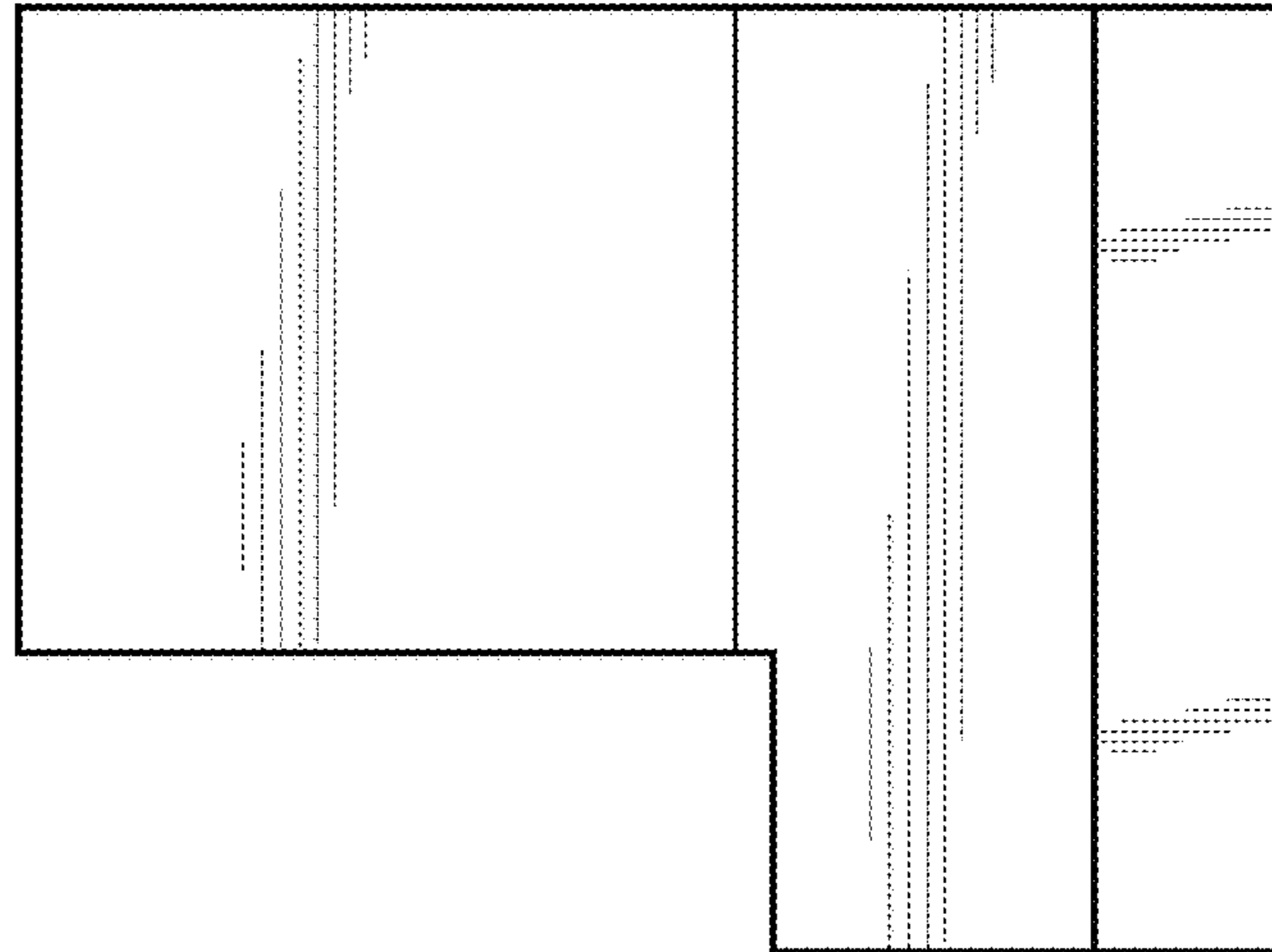


FIG. 13

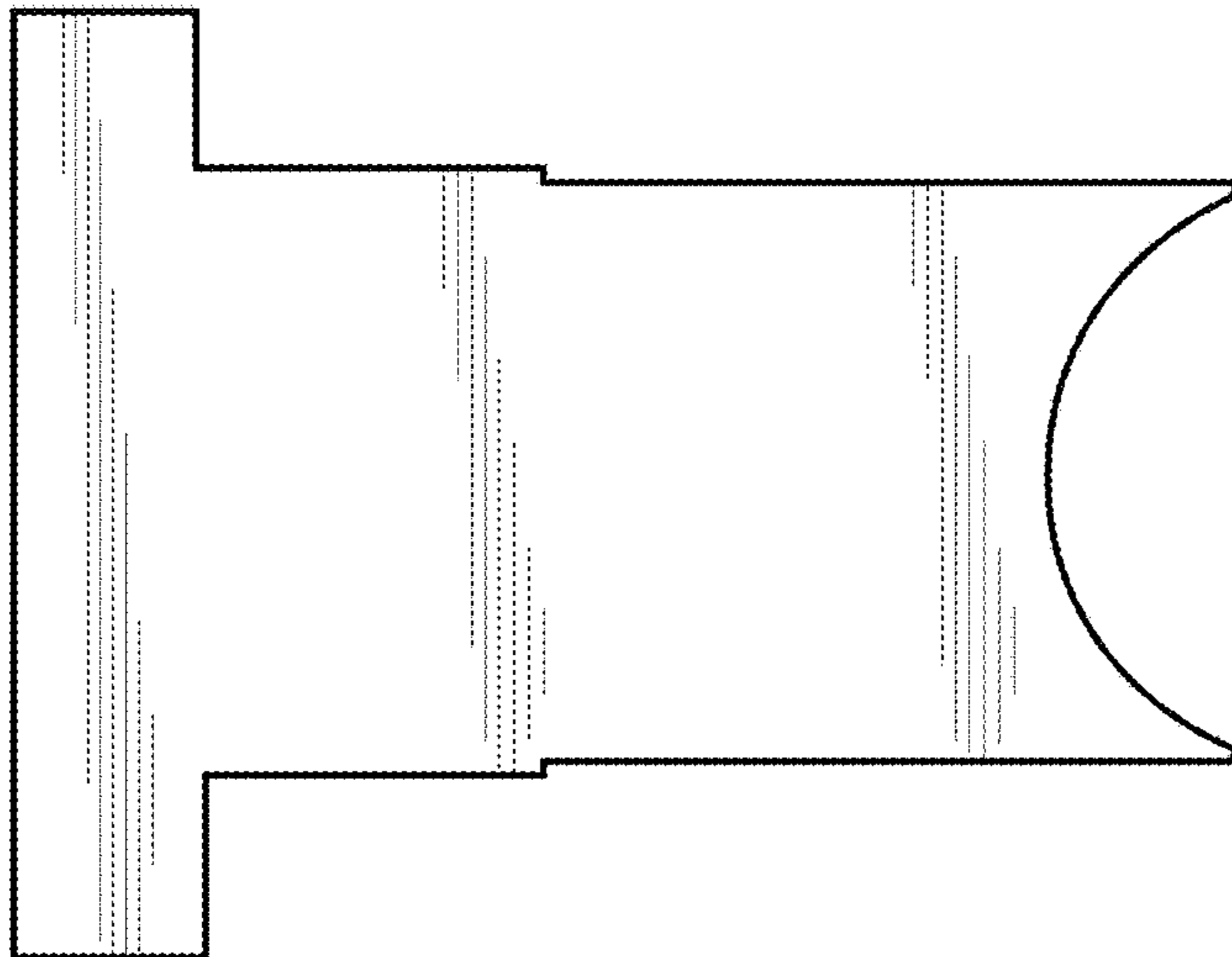


FIG. 14

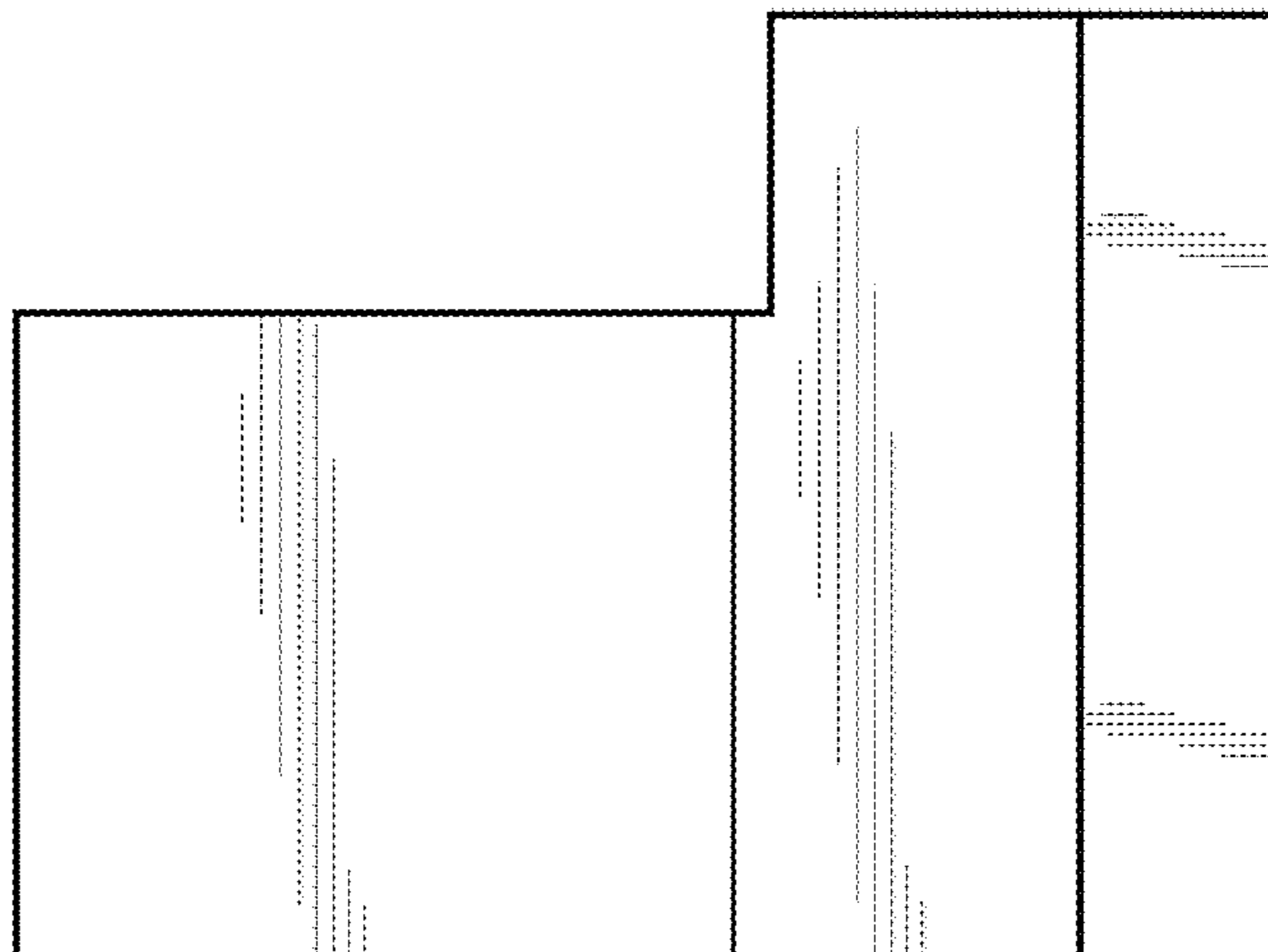


FIG. 15

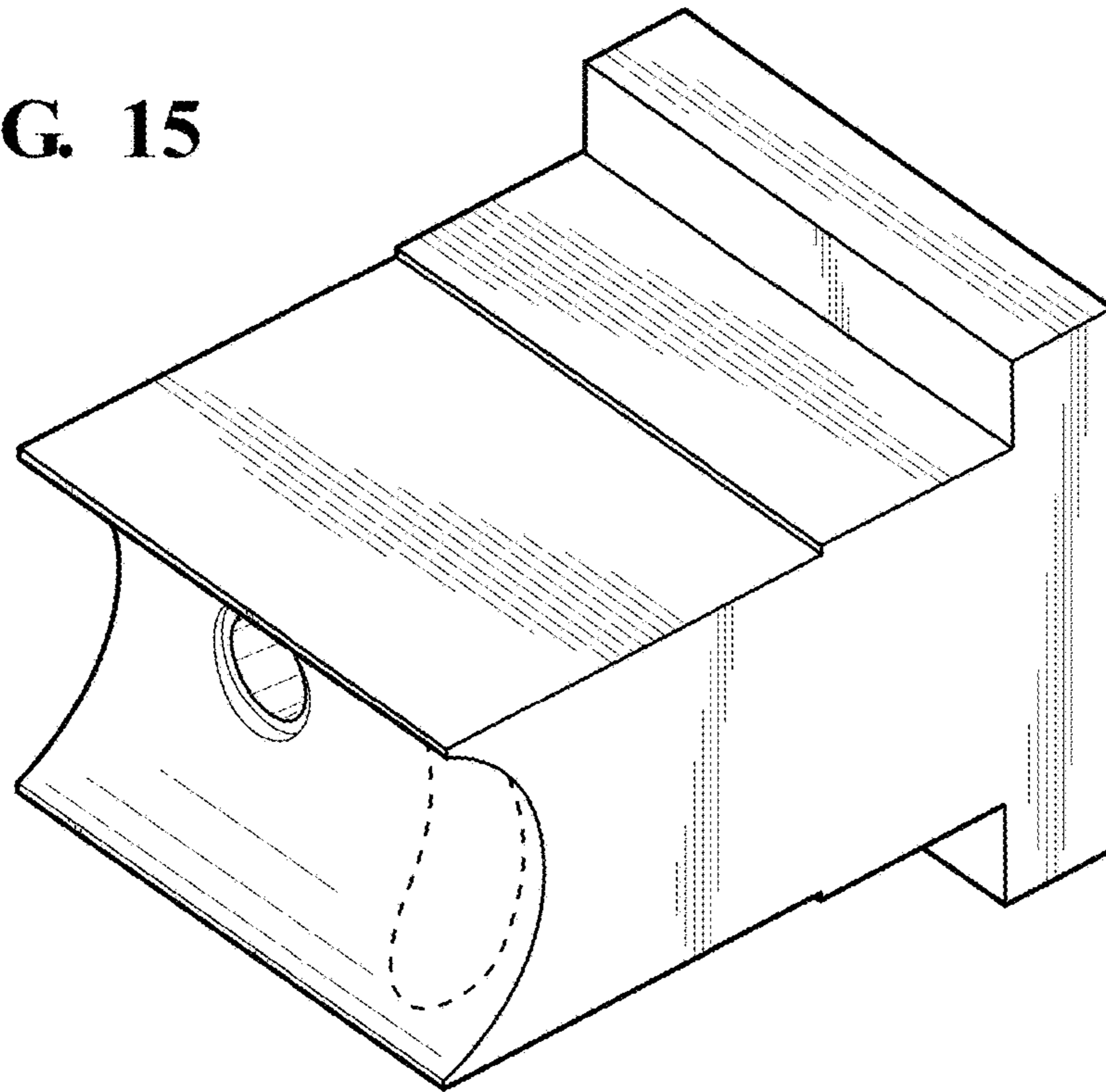


FIG. 16

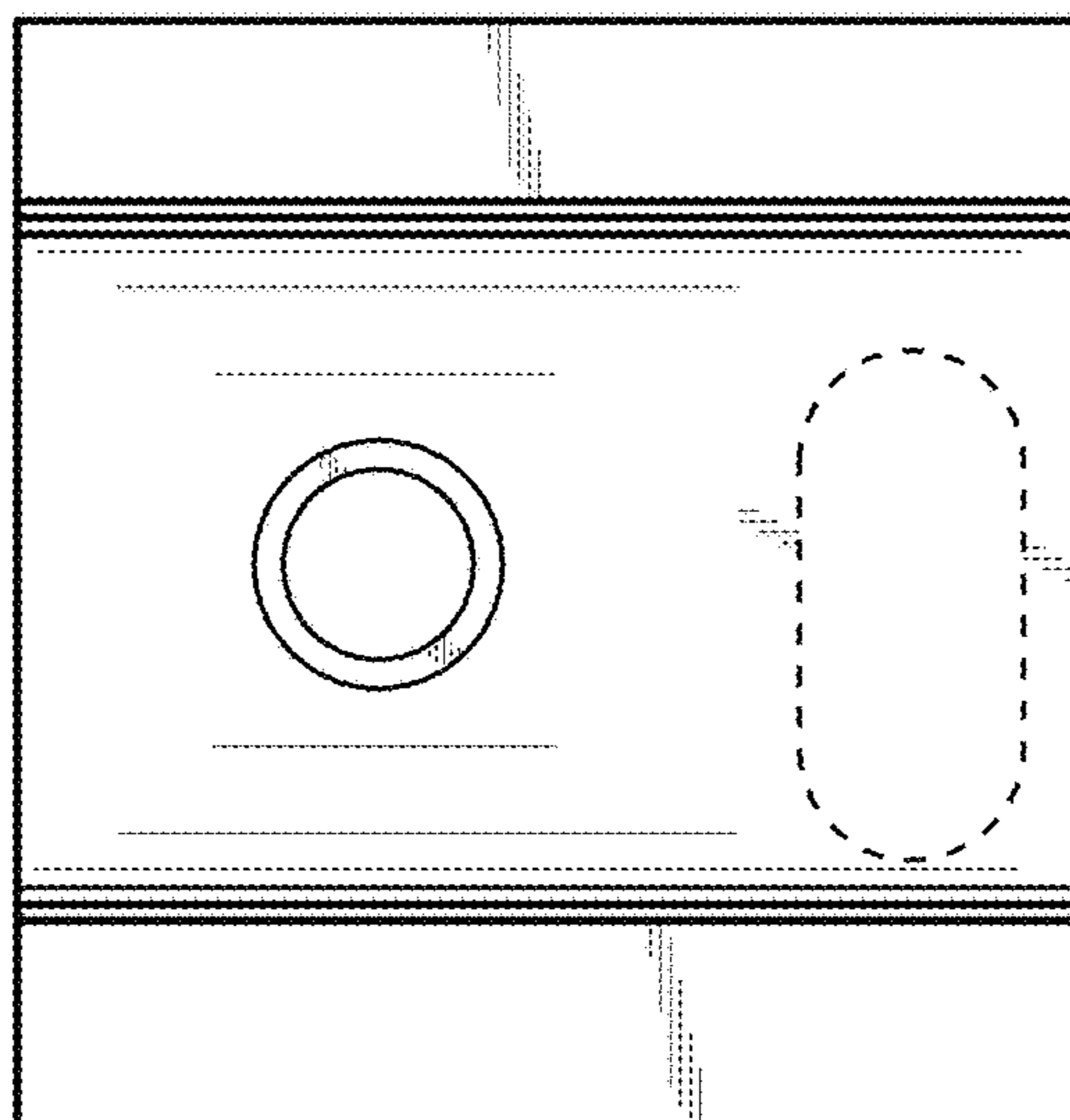


FIG. 17

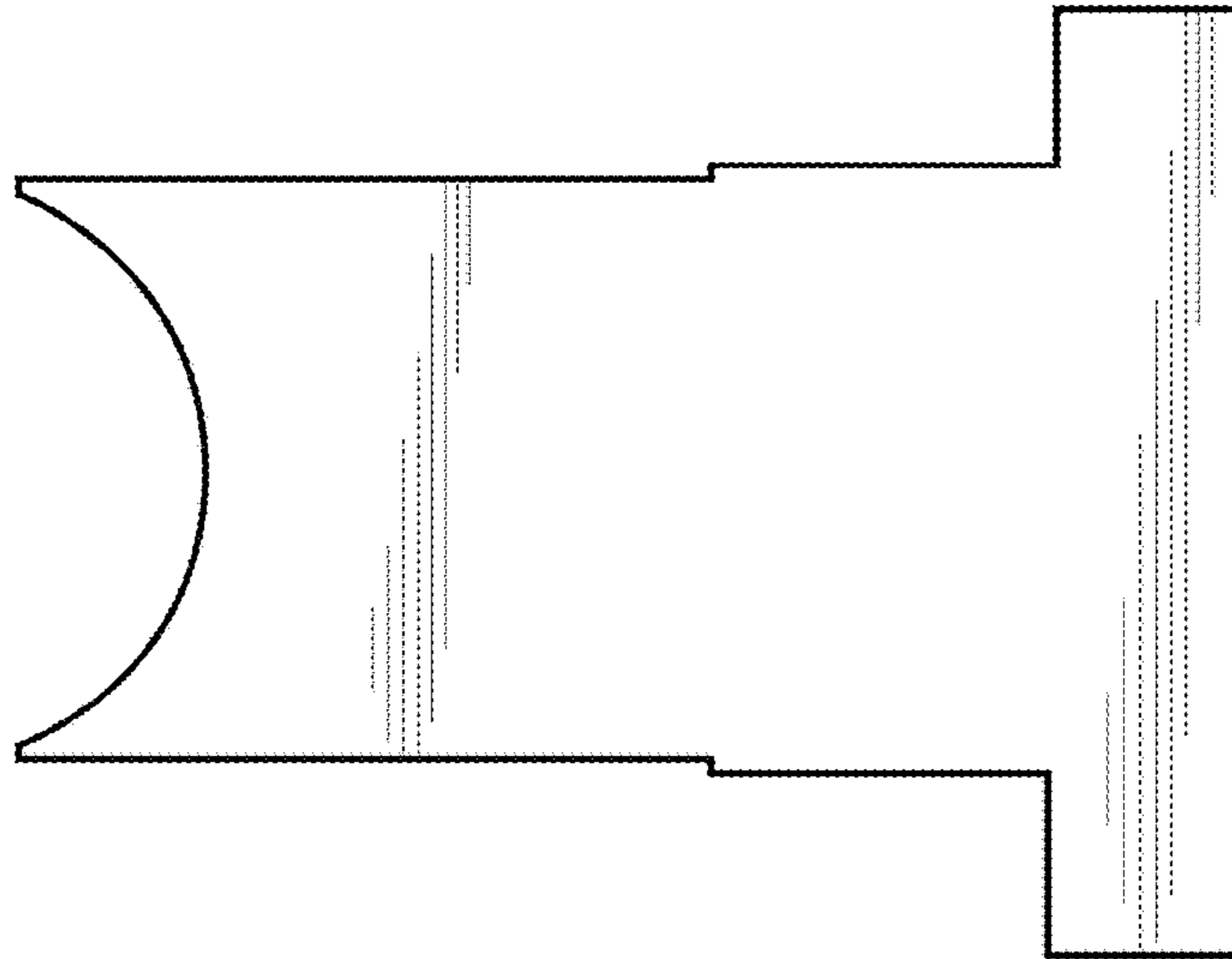


FIG. 18

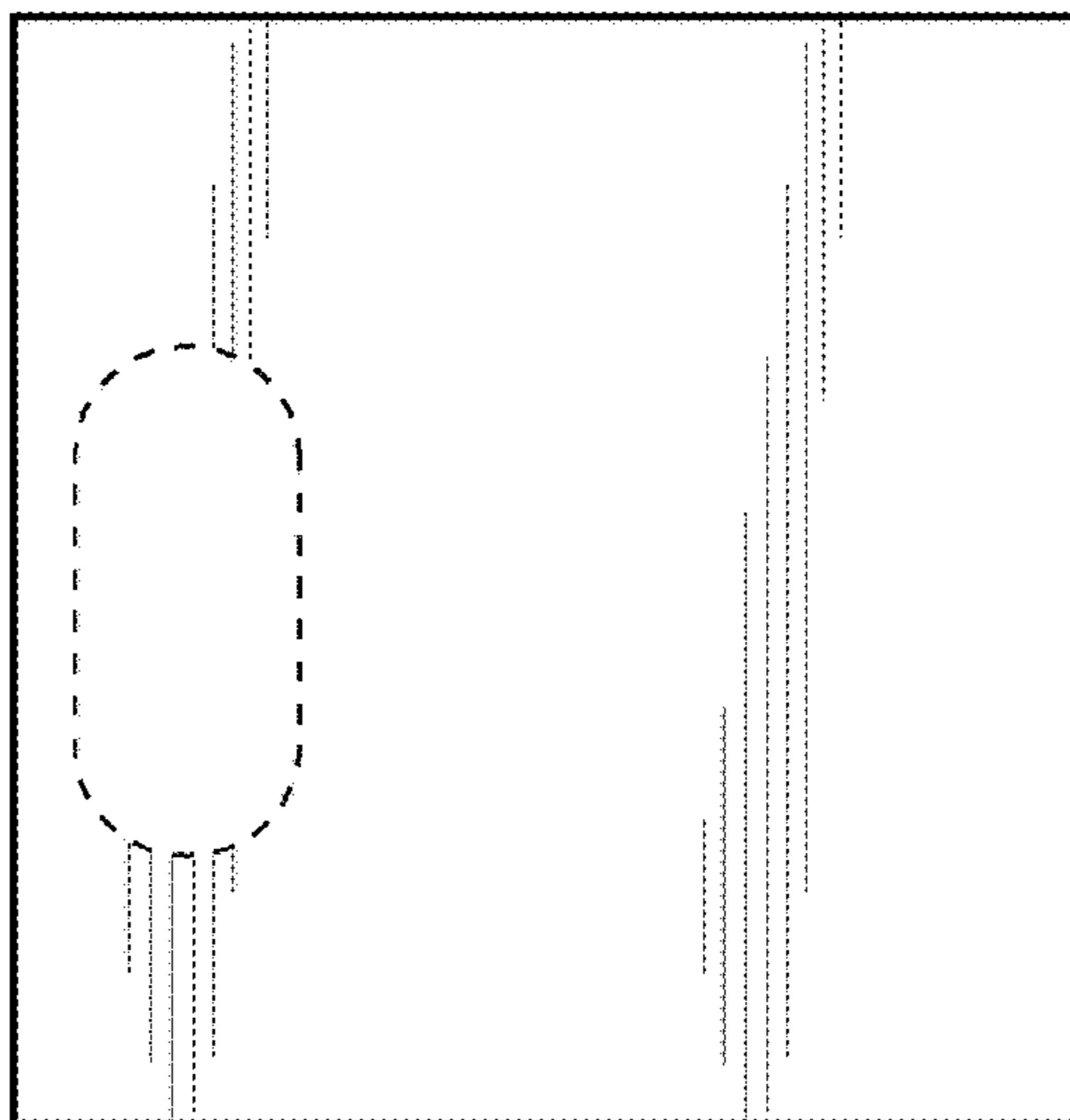


FIG. 19

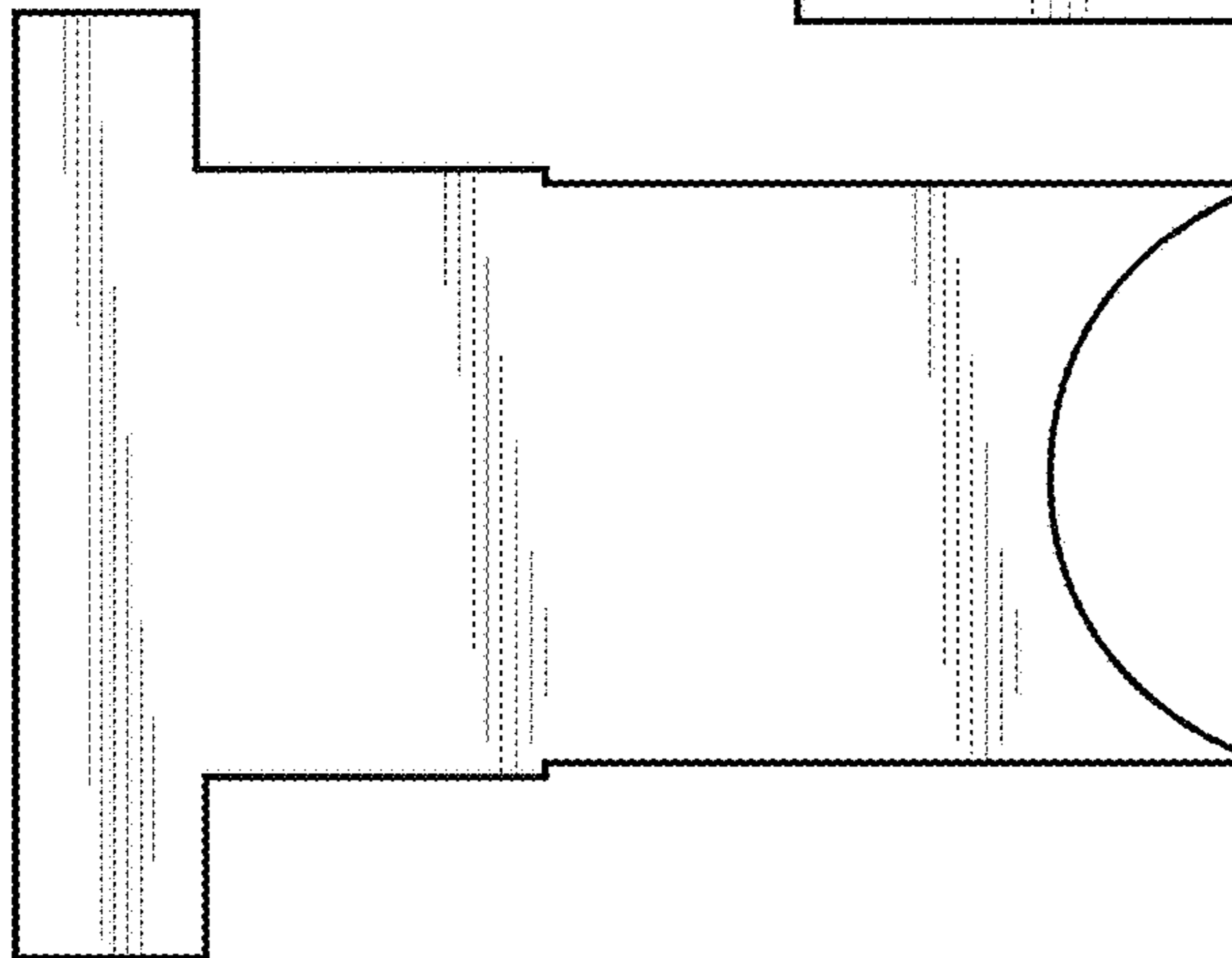
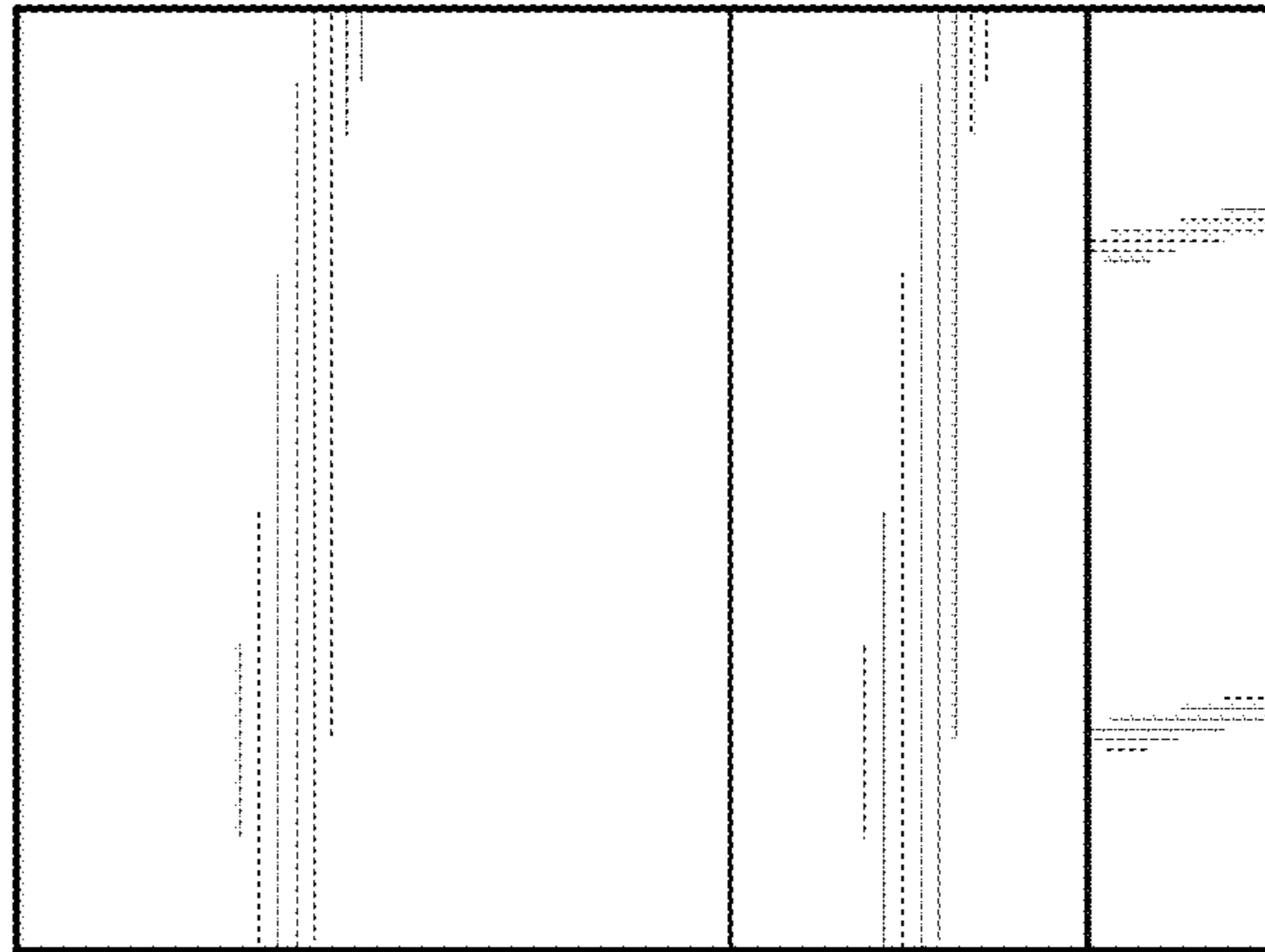


FIG. 20

FIG. 21

