



US00D824752S

(12) **United States Design Patent**  
**Johns**

(10) **Patent No.:** **US D824,752 S**  
(45) **Date of Patent:** **\*\* Aug. 7, 2018**

(54) **D-RING ISOLATOR**

(71) Applicant: **Omix-Ada, Inc.**, Suwanee, GA (US)

(72) Inventor: **Taylor Johns**, Atlanta, GA (US)

(73) Assignee: **Omix-ADA, Inc.**, Suwanee, GA (US)

(\*\*) Term: **15 Years**

(21) Appl. No.: **29/590,322**

(22) Filed: **Jan. 9, 2017**

(51) **LOC (11) Cl.** ..... **08-05**

(52) **U.S. Cl.**  
USPC ..... **D8/367**

(58) **Field of Classification Search**  
USPC ..... D8/367, 354, 349, 394, 372; D6/323,  
D6/320, 324  
CPC ..... F16L 3/13; F16L 3/26; A47G 23/0225;  
A47G 25/06; A47G 1/16; A47G 25/0607;  
A47G 1/17; A47F 5/0846; A47F 5/02;  
H02G 11/003; D06F 55/00; E04H 17/10;  
A47K 10/04

See application file for complete search history.

(56) **References Cited**

**U.S. PATENT DOCUMENTS**

D548,045 S \* 8/2007 Heppner ..... D8/343  
D681,440 S \* 5/2013 Yu ..... D8/396

D732,009 S \* 6/2015 Bak ..... D14/229  
D749,408 S \* 2/2016 Liao ..... D8/396  
D760,583 S \* 7/2016 Weilage ..... D8/395  
D766,711 S \* 9/2016 Babbage ..... D8/394  
D802,403 S \* 11/2017 Weng ..... D8/367  
2010/0231402 A1\* 9/2010 Flynt ..... A62B 35/0025  
340/679

\* cited by examiner

*Primary Examiner* — Cynthia Underwood

(74) *Attorney, Agent, or Firm* — Womble Bond Dickinson  
(US) LLP

(57) **CLAIM**

The ornamental design for a D-ring isolator, as shown and described.

**DESCRIPTION**

FIG. 1 is a left front perspective view of a D-ring isolator showing my new design.  
FIG. 2 is a front elevational view thereof, the rear elevational view being a mirror image of the front elevational view.  
FIG. 3 is a top plan view thereof.  
FIG. 4 is a bottom plan view thereof; and,  
FIG. 5 is a right side elevational view thereof, the left side elevational view being a mirror image of the right side elevational view.

**1 Claim, 2 Drawing Sheets**

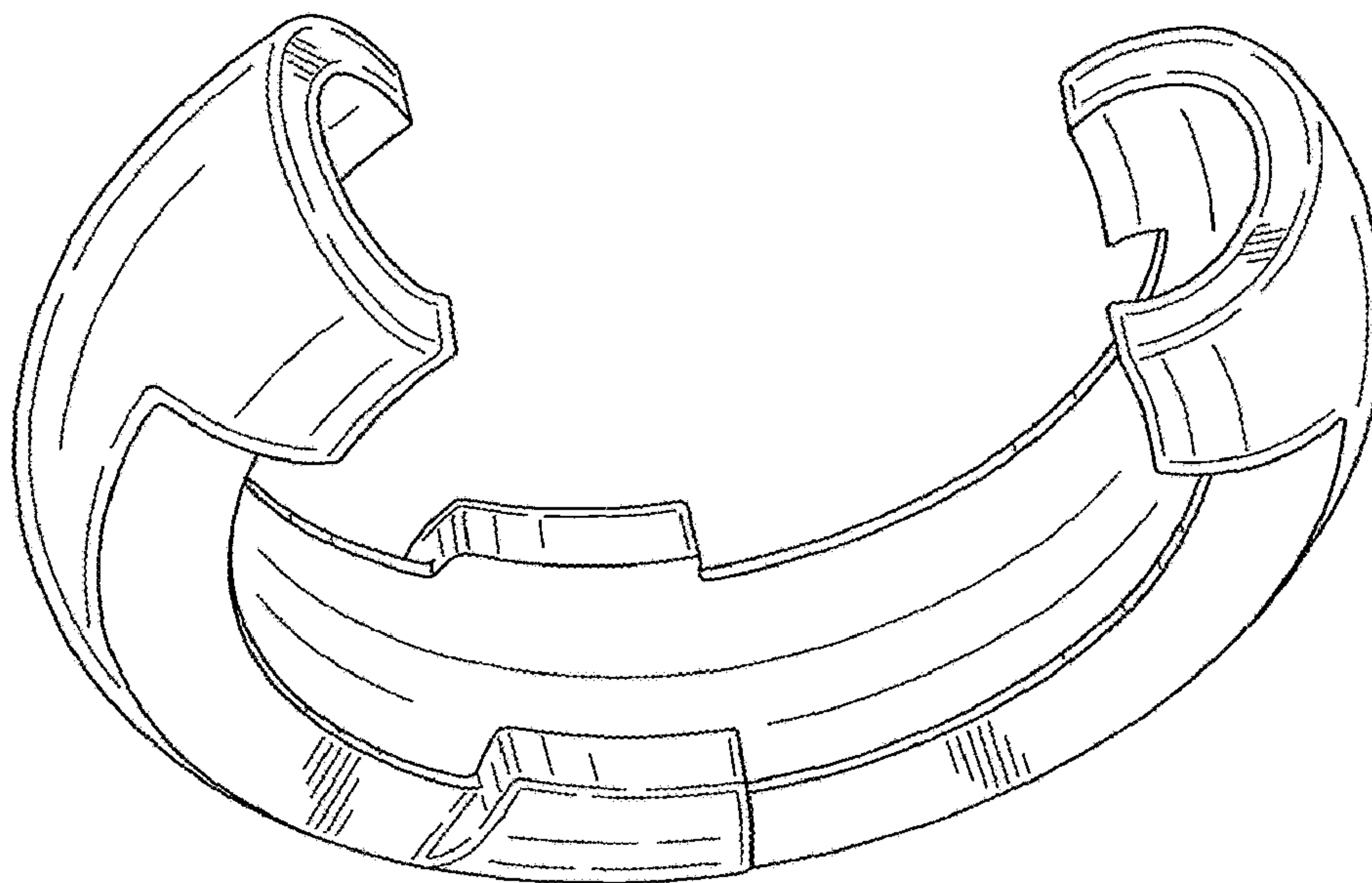


FIG. 1

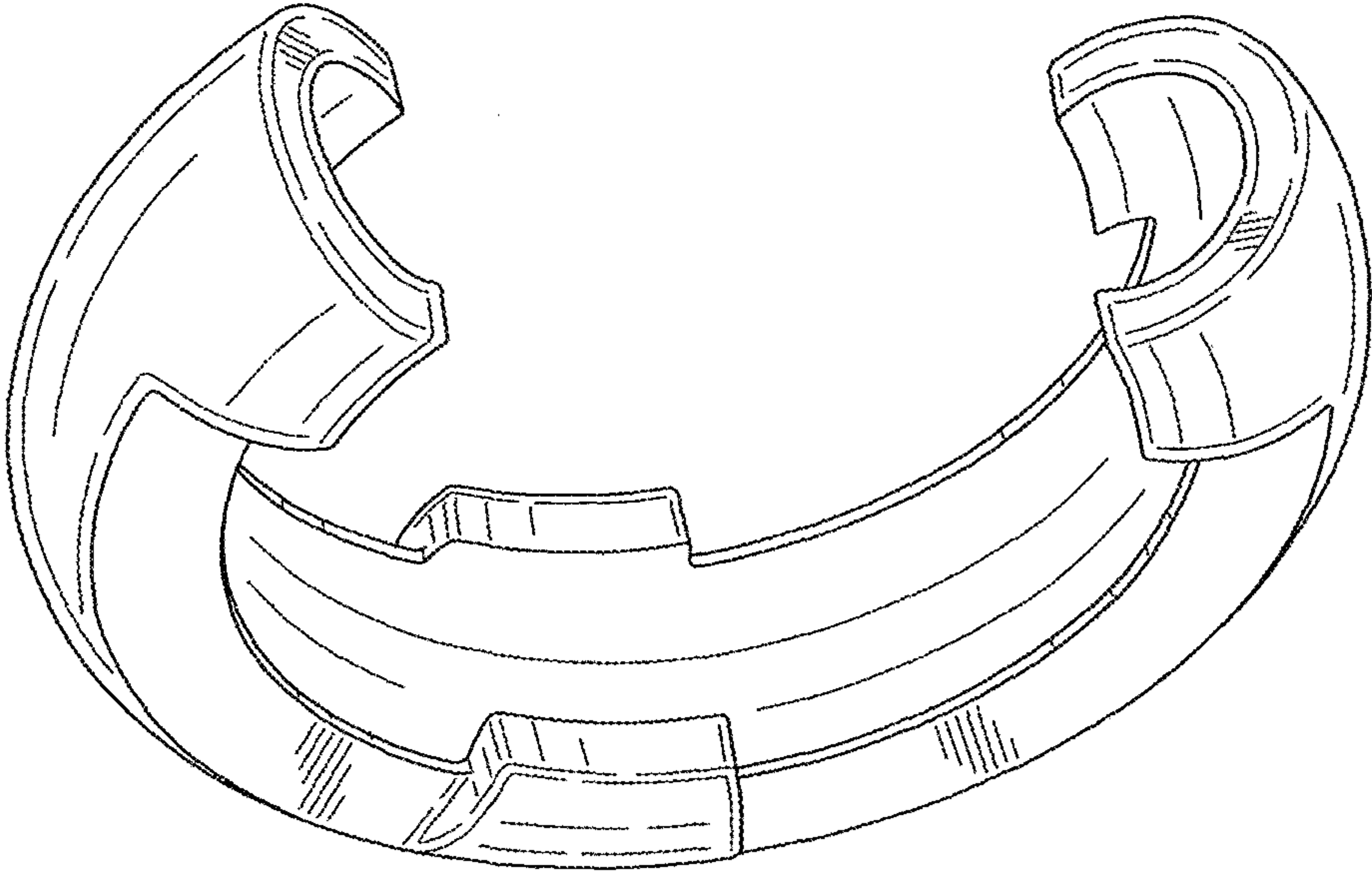


FIG. 2

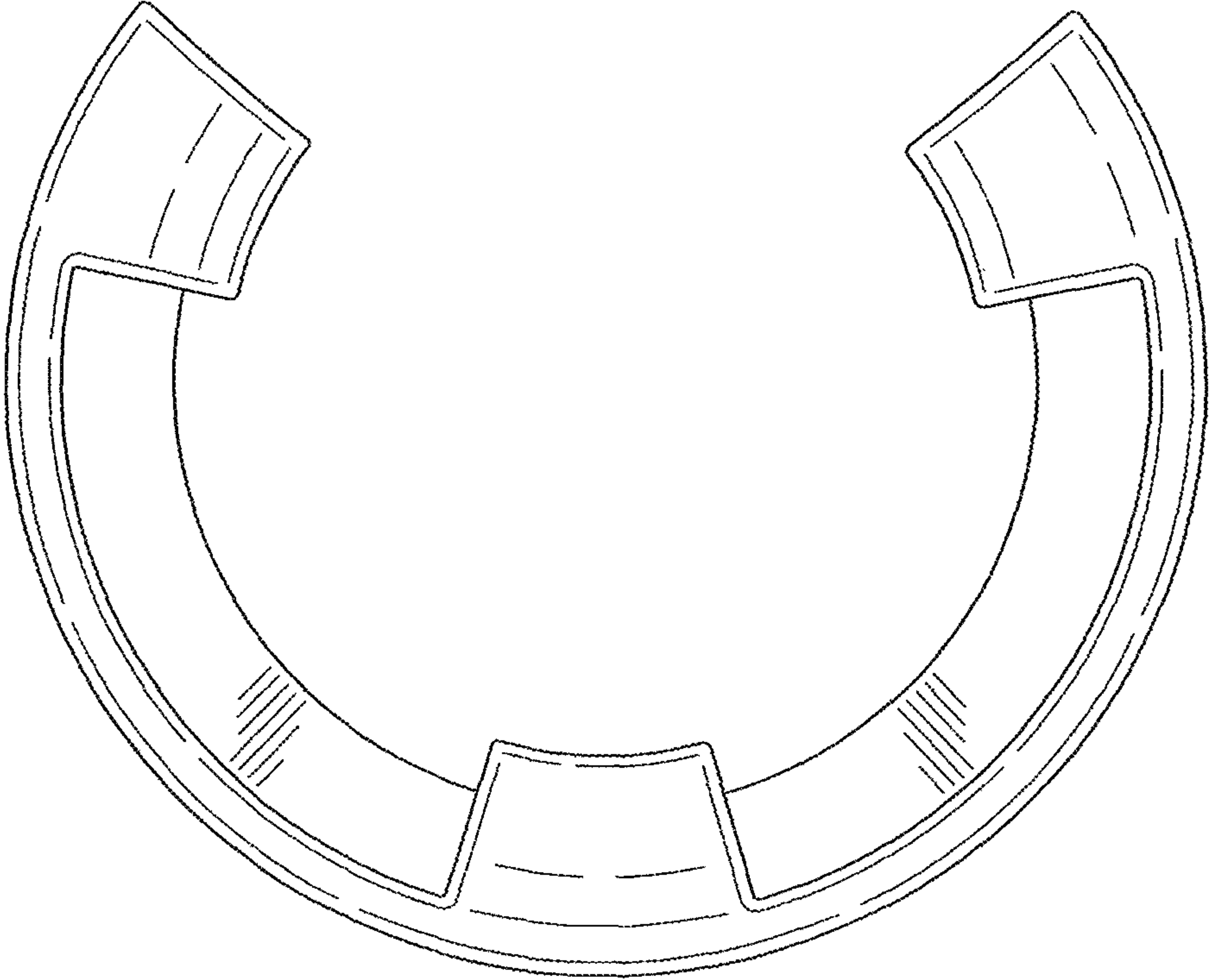


FIG. 3

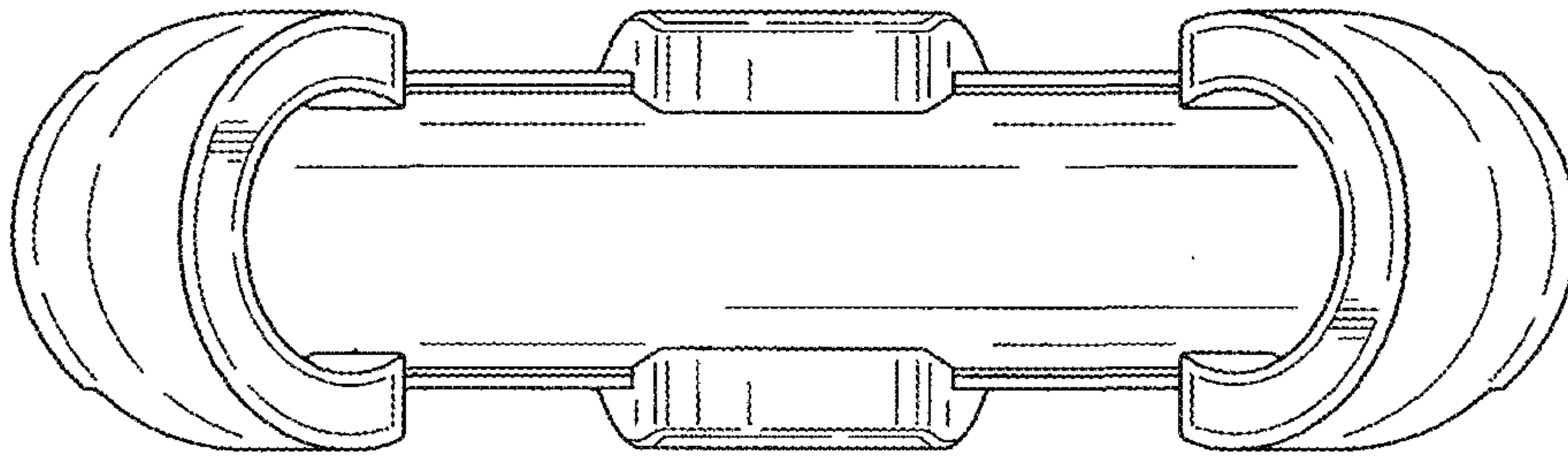


FIG. 4

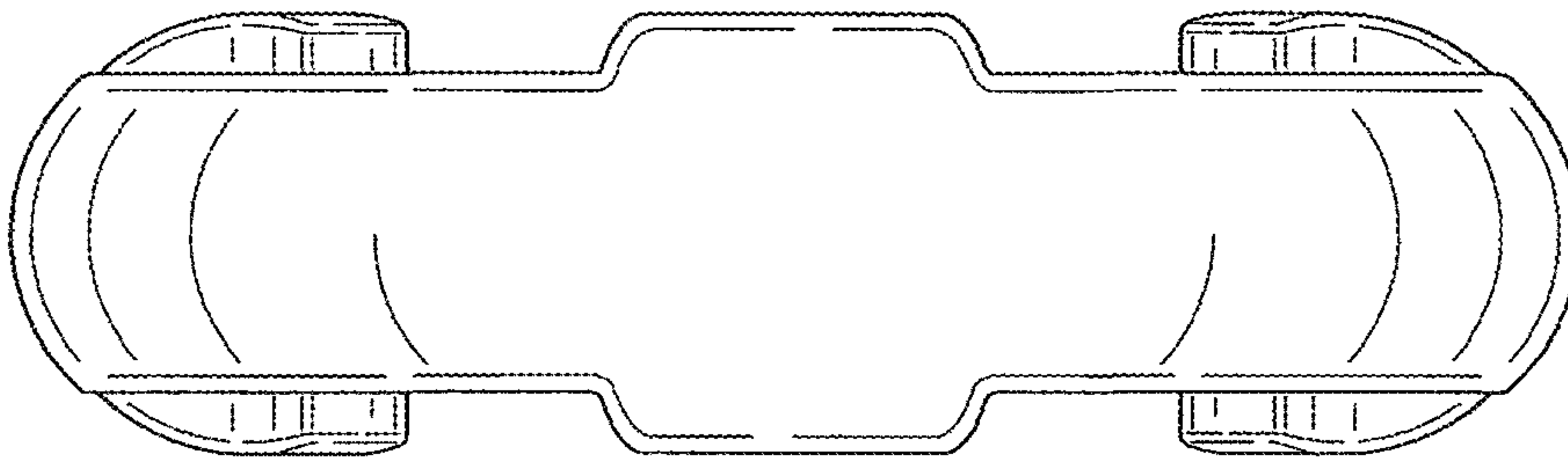


FIG. 5

