



US00D824751S

(12) **United States Design Patent**
Tisbo

(10) **Patent No.:** **US D824,751 S**

(45) **Date of Patent:** **** Aug. 7, 2018**

(54) **LINK MEMBER**

(71) Applicant: **Custom Plastics, Inc.**, Elk Grove Village, IL (US)

(72) Inventor: **Peter Tisbo**, Elk Grove Village, IL (US)

(73) Assignee: **Custom Plastics, Inc.**, Elk Grove Village, IL (US)

(**) Term: **15 Years**

(21) Appl. No.: **29/606,804**

(22) Filed: **Jun. 7, 2017**

(51) **LOC (11) Cl.** **09-06**

(52) **U.S. Cl.**
USPC **D8/356**

(58) **Field of Classification Search**
USPC D8/356, 354, 349; 206/233; 248/51
CPC B65H 57/16; E02D 5/803; B63B 21/045;
B63B 59/02; B60D 1/18; B60P 1/103;
B60P 7/0823; Y10T 24/3918; A62B
35/0081; A44B 13/0029; H04R 1/1033
See application file for complete search history.

(56) **References Cited**

U.S. PATENT DOCUMENTS

5,607,313 A * 3/1997 Nyman H01R 12/57
439/83
D589,999 S * 4/2009 Ollila D16/242

D717,157 S * 11/2014 Widdows D8/356
D734,132 S * 7/2015 Ware D8/356
D763,666 S * 8/2016 Wengreen D8/356
D799,941 S * 10/2017 Rothenberg D8/356
D806,523 S * 1/2018 Kencevski D8/356

* cited by examiner

Primary Examiner — Cynthia R Underwood

(74) *Attorney, Agent, or Firm* — McHale & Slavin, P.A.

(57) **CLAIM**

The ornamental design for a link member, as shown and described.

DESCRIPTION

FIG. 1 is a front perspective view of the link member of the instant invention;
FIG. 2 is a front end view thereof;
FIG. 3 is a top view thereof;
FIG. 4 is a left side view thereof;
FIG. 5 is a right side view thereof;
FIG. 6 is a bottom view thereof; and,
FIG. 7 is a rear view thereof.

1 Claim, 3 Drawing Sheets

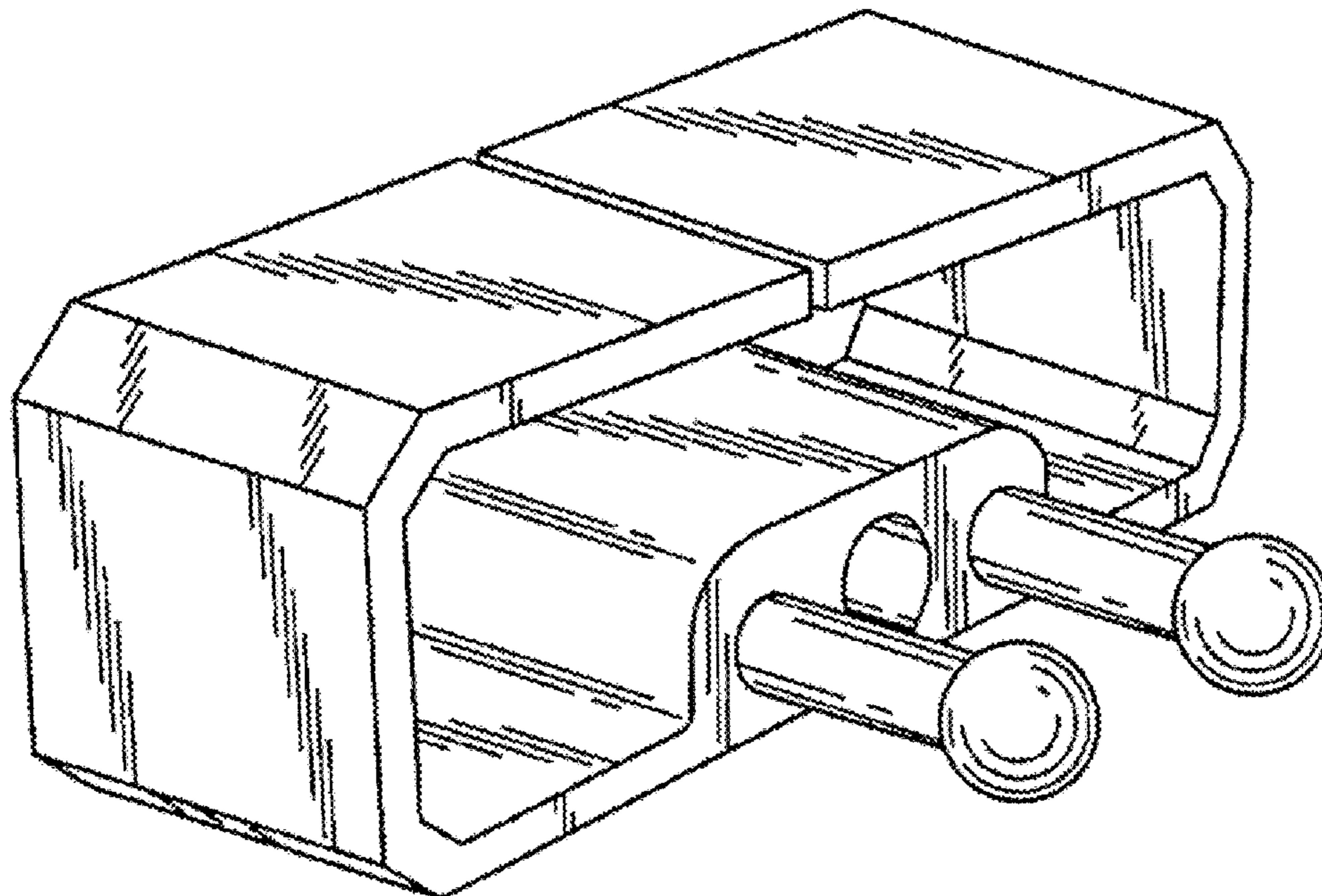


FIG. 1

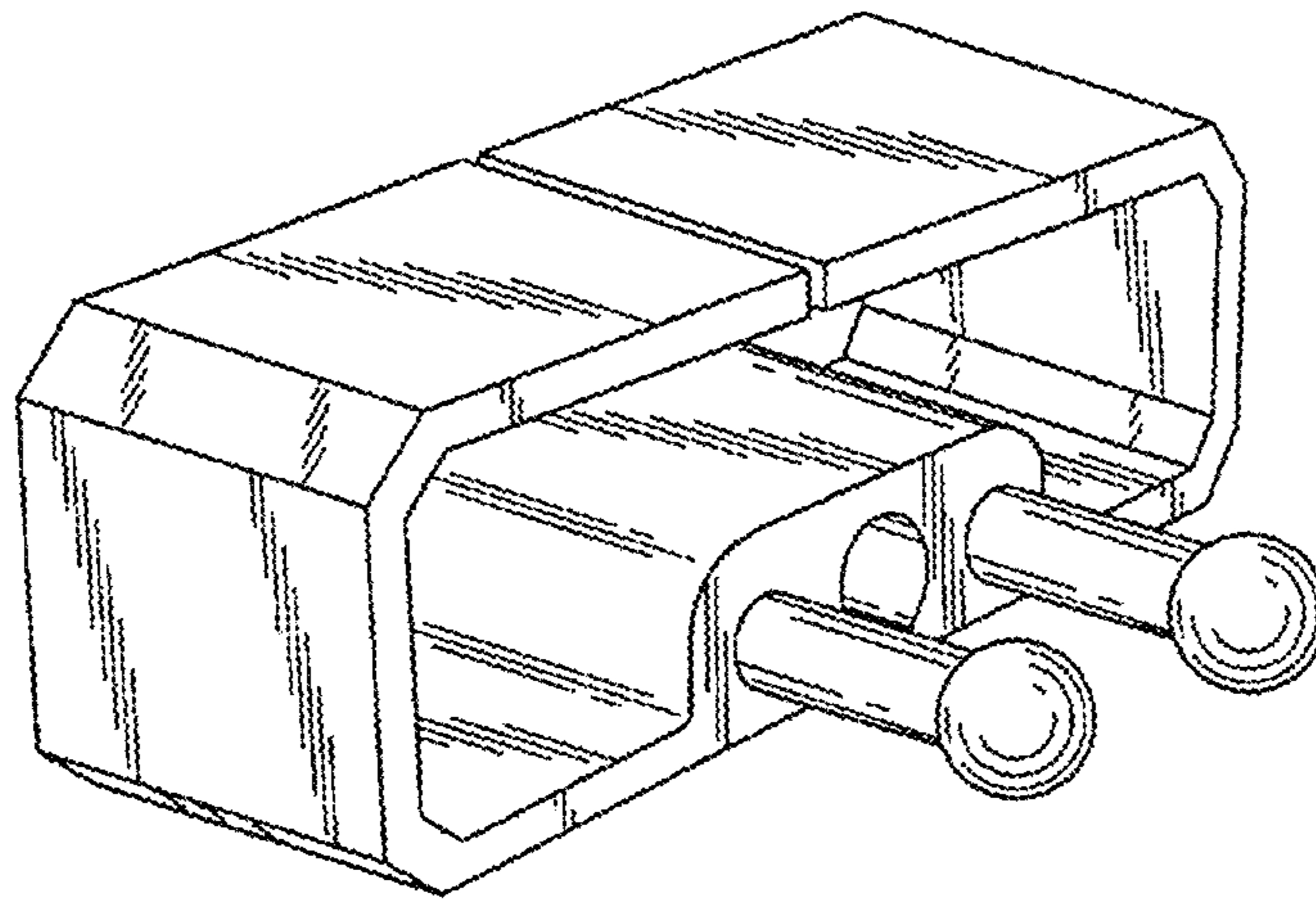


FIG. 2

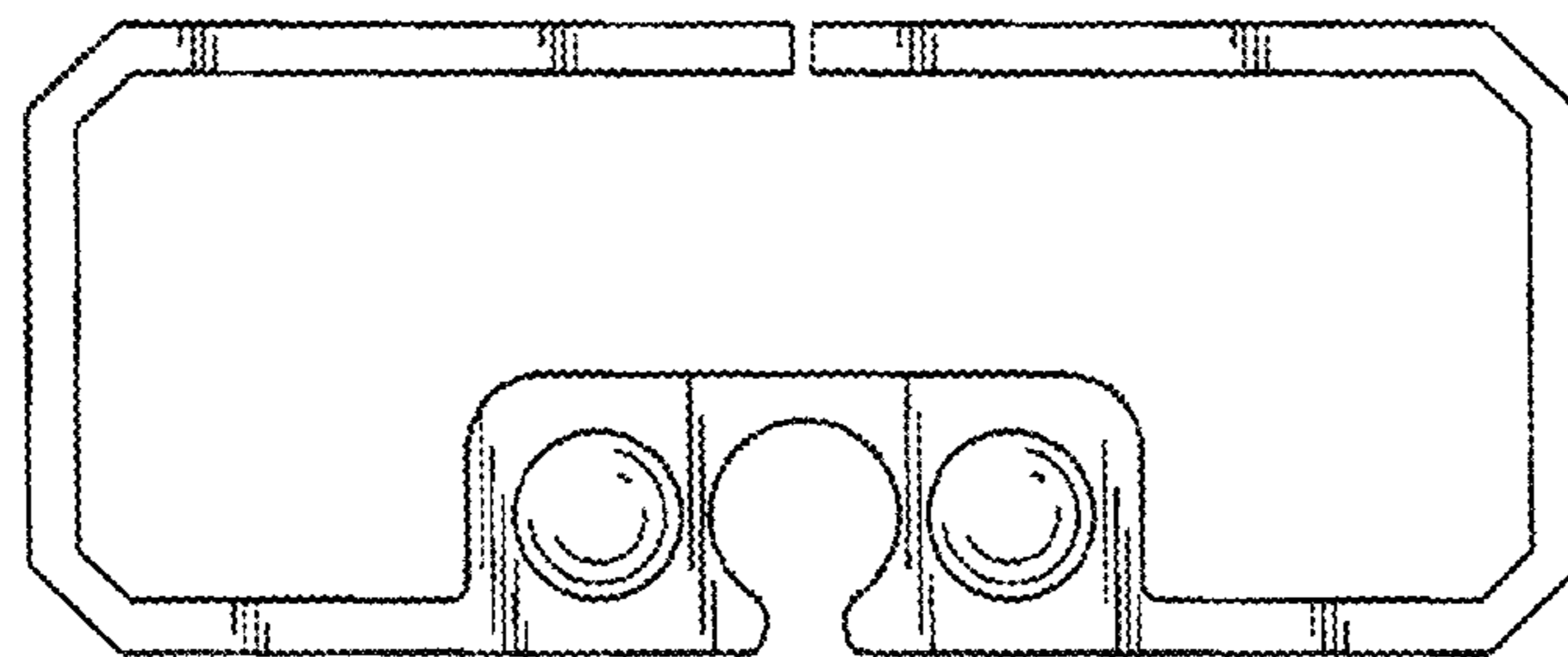


FIG. 3

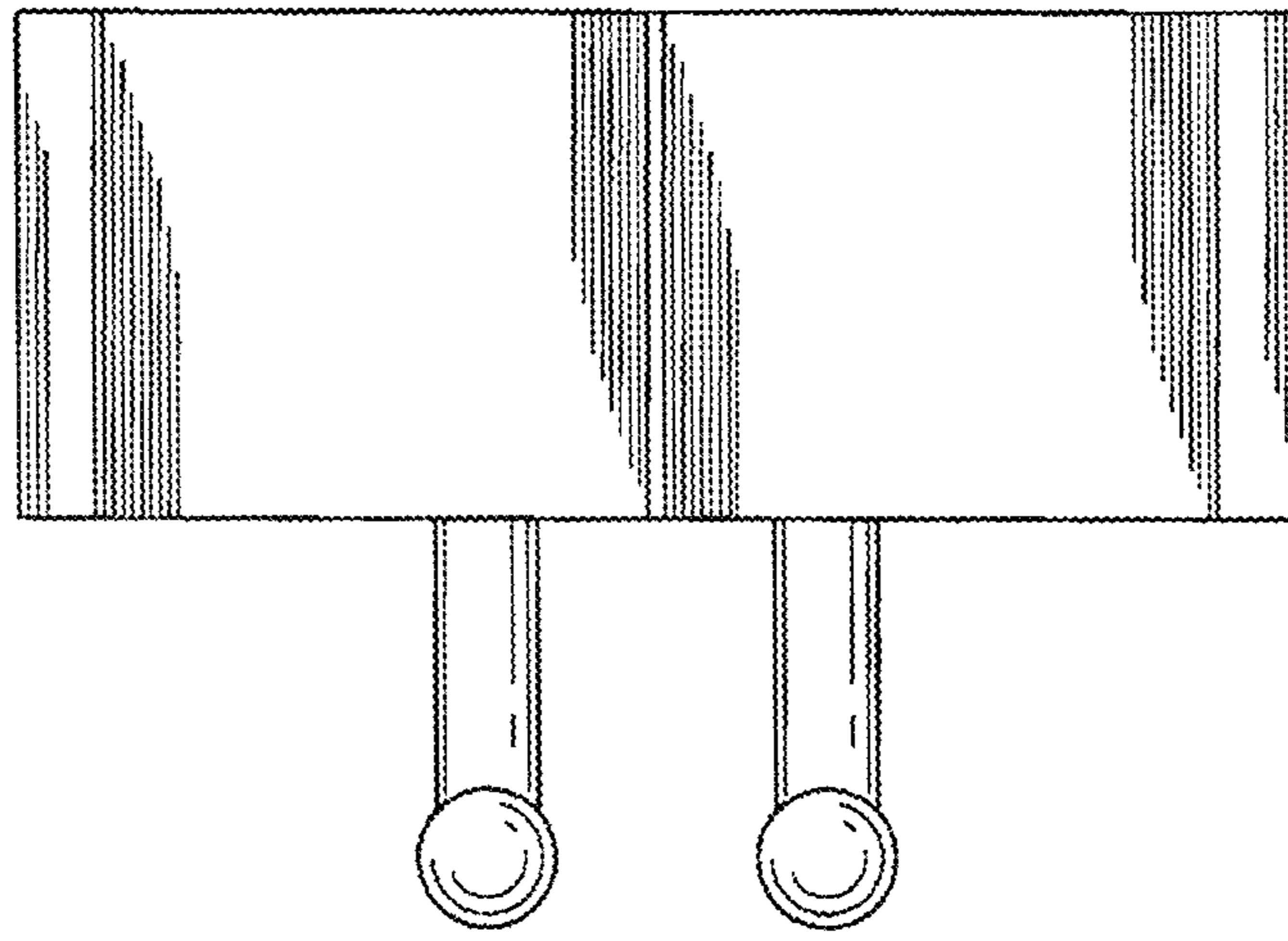


FIG. 4

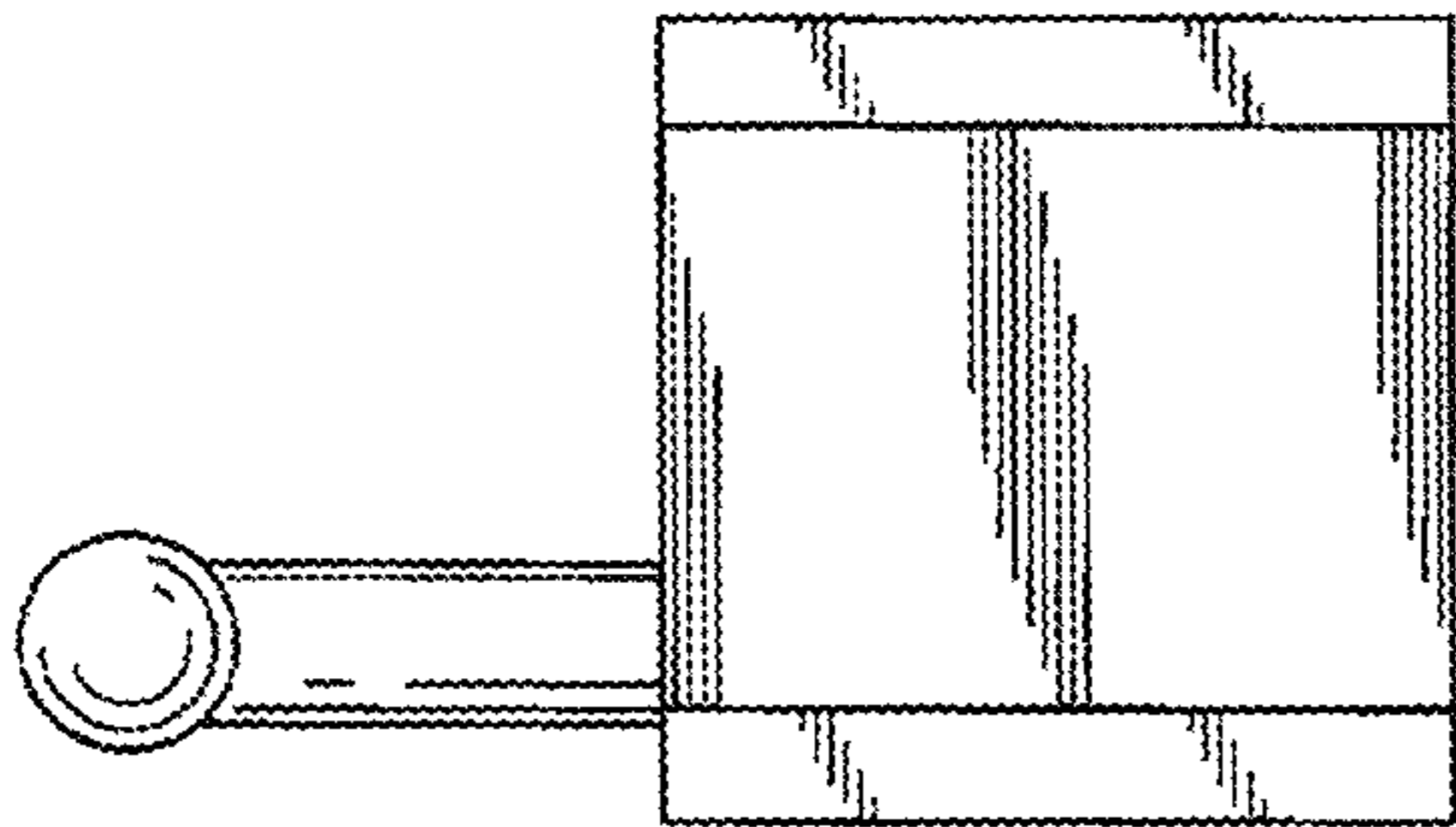


FIG. 5

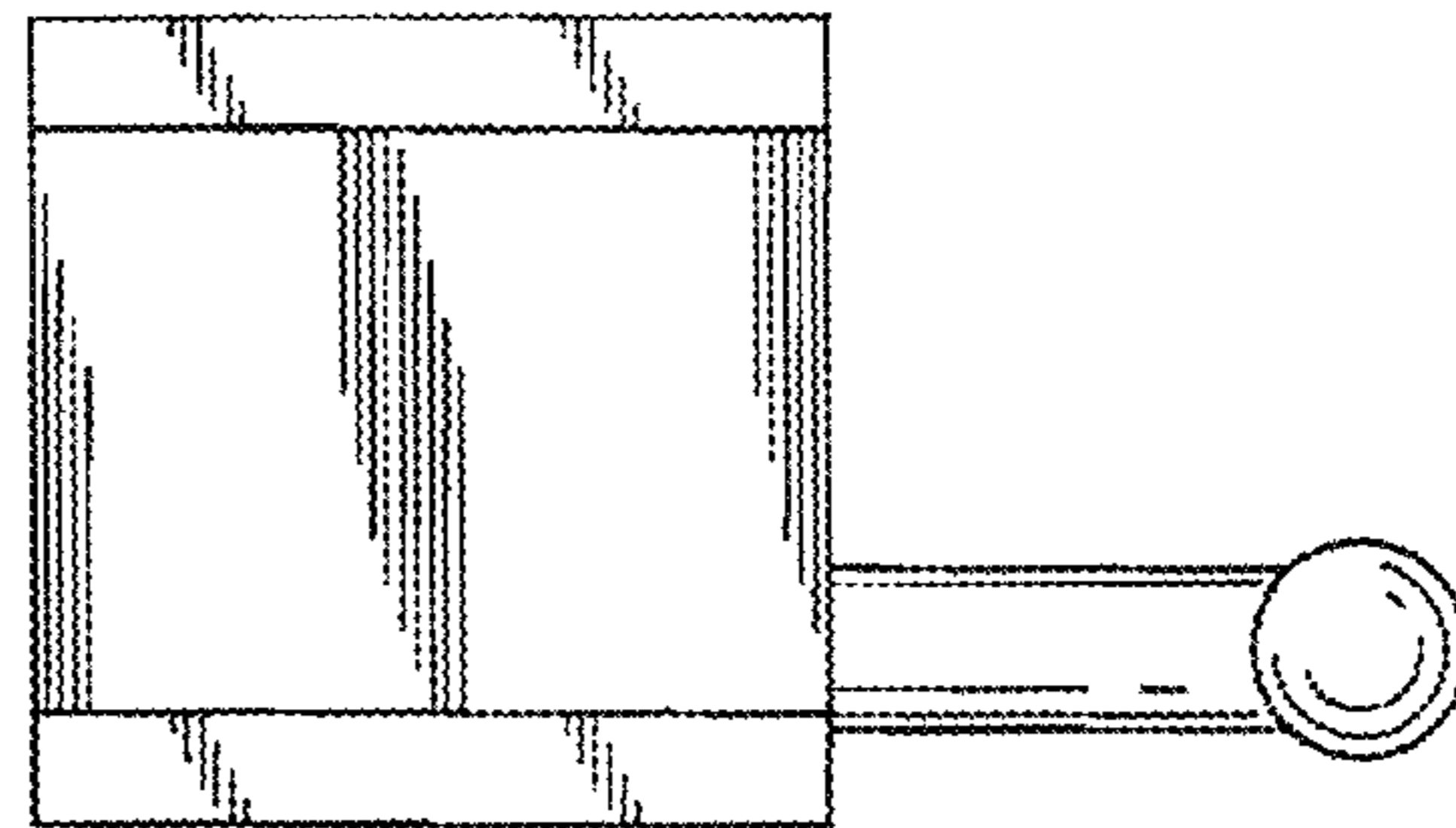


FIG. 6

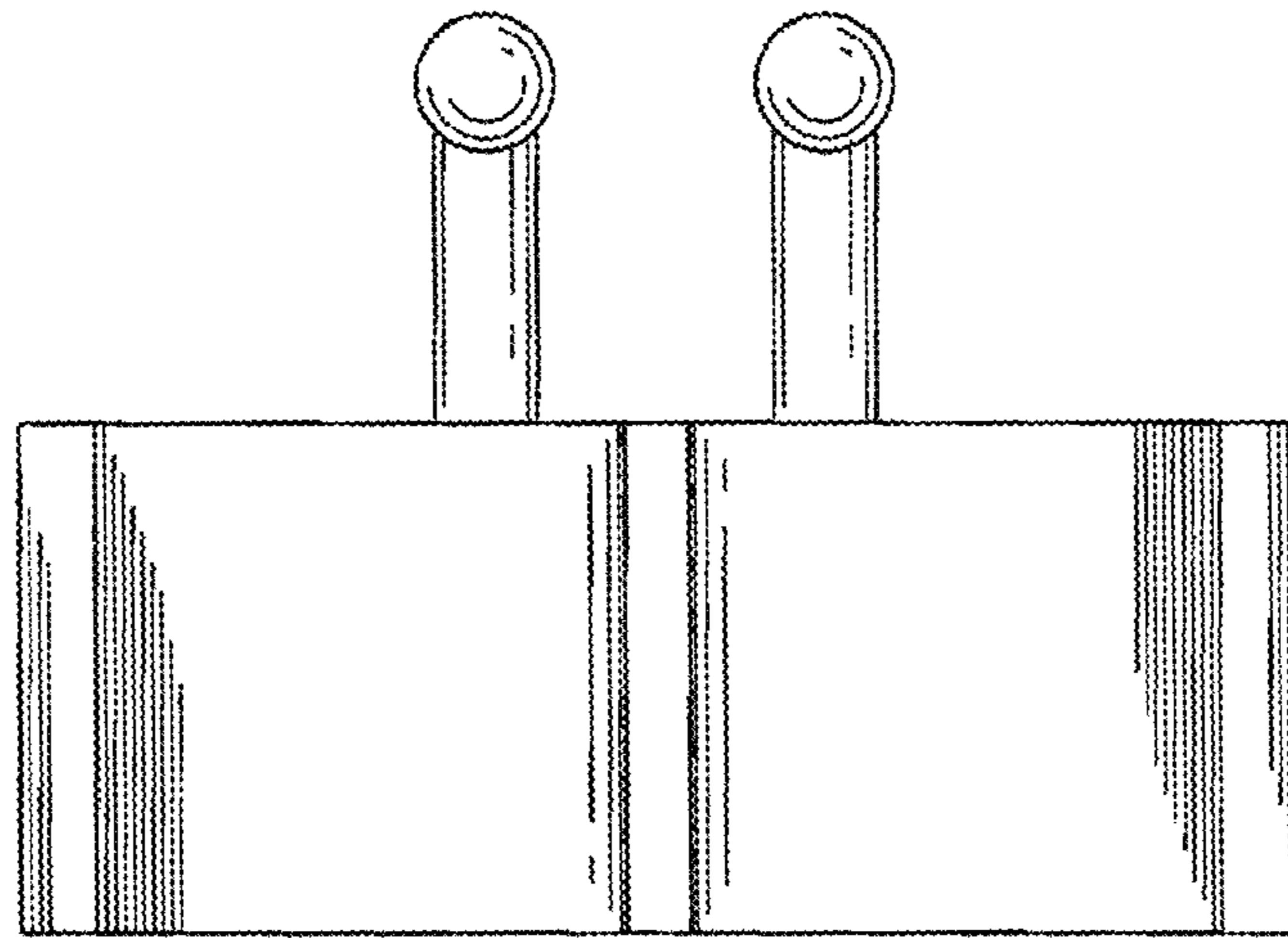


FIG. 7

