



US00D824750S

(12) **United States Design Patent**
Carnevali

(10) **Patent No.:** **US D824,750 S**

(45) **Date of Patent:** **** *Aug. 7, 2018**

(54) **SWING ARM CLAMP**

(71) Applicant: **Jeffrey D. Carnevali**, Seattle, WA (US)

(72) Inventor: **Jeffrey D. Carnevali**, Seattle, WA (US)

(*) Notice: This patent is subject to a terminal disclaimer.

(**) Term: **14 Years**

(21) Appl. No.: **29/479,710**

(22) Filed: **Jan. 17, 2014**

Related U.S. Application Data

(63) Continuation-in-part of application No. 29/430,035, filed on Aug. 20, 2012.

(51) **LOC (11) Cl.** **08-05**

(52) **U.S. Cl.**
USPC **D8/355; D14/253**

(58) **Field of Classification Search**
USPC D14/140, 140.8, 142, 168, 204, 209.1, D14/217, 221, 243-256, 434, 447, 452; D3/215, 218, 269; D2/861; D6/300, D6/310, 467, 553-574; 292/342, 343; D19/90; D12/411, 415; D13/108; 379/446, 455; D8/355, 363, 500, 72-73, D8/354, 394; 248/181.1
CPC F16M 13/00; F16M 11/00
See application file for complete search history.

(56) **References Cited**

U.S. PATENT DOCUMENTS

- 2,682,127 A * 6/1954 Binder A01K 97/10
24/489
- 5,845,885 A * 12/1998 Carnevali F16M 11/14
248/181.1
- D521,850 S * 5/2006 Richter D8/354

- D533,174 S * 12/2006 Richter D14/251
- D564,062 S * 3/2008 Carnevali D22/147
- D567,810 S * 4/2008 Yeh D14/253
- 7,464,814 B2 * 12/2008 Carnevali G06F 1/1626
206/320
- D588,903 S * 3/2009 Carnevali D8/355
- D596,012 S * 7/2009 Ferrer D8/355
- 7,849,630 B2 * 12/2010 Carnevali A01K 97/10
43/21.2
- RE42,060 E * 1/2011 Carnevali F16M 11/14
248/181.1
- 7,891,618 B2 * 2/2011 Carnevali A47B 21/0314
248/228.5
- 7,954,773 B2 * 6/2011 Carnevali B60N 3/103
220/737
- RE42,581 E * 8/2011 Carnevali F16M 11/14
248/181.1
- D654,120 S * 2/2012 Lin D14/434

(Continued)

Primary Examiner — Janice Hallmark

(74) *Attorney, Agent, or Firm* — Charles J Rupnick

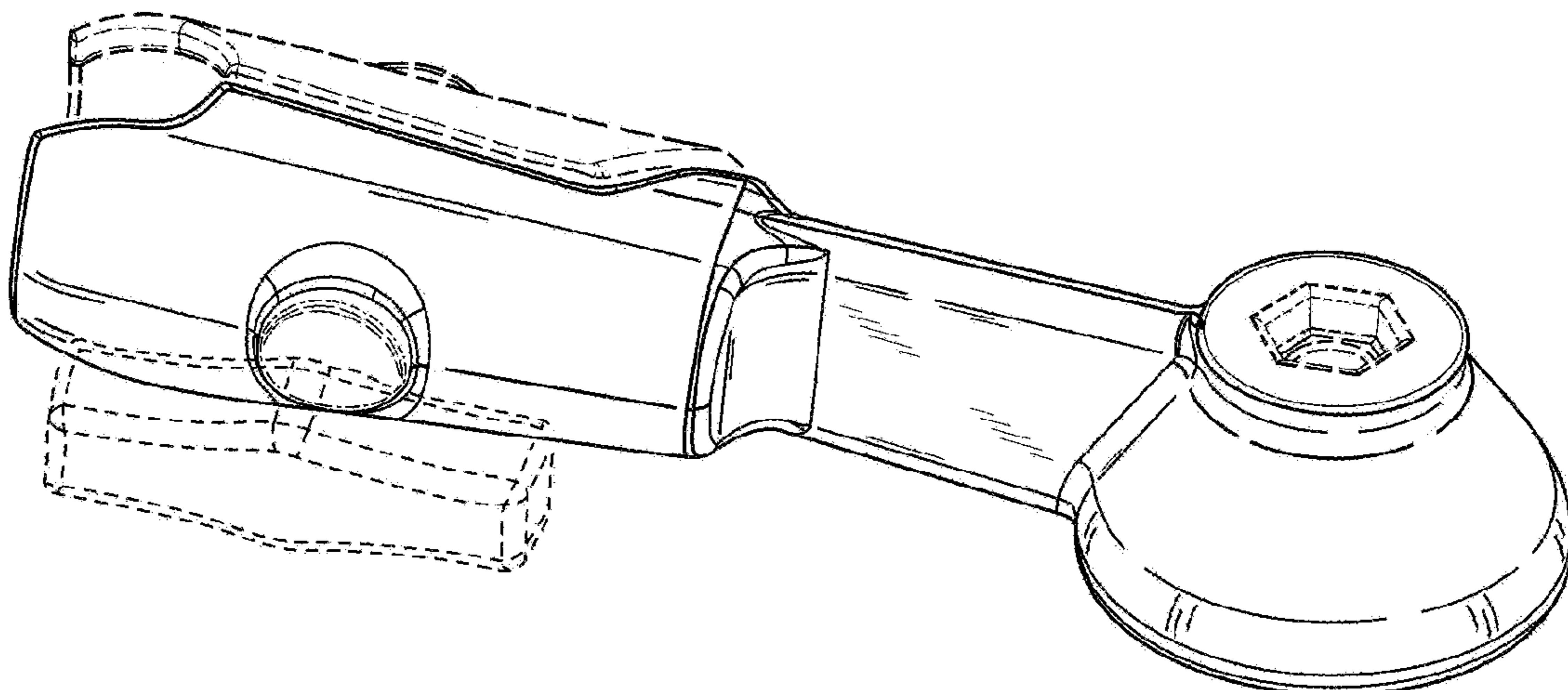
(57) **CLAIM**

The ornamental design for a swing arm clamp, as shown and described.

DESCRIPTION

FIG. 1 is perspective view of a swing arm clamp showing my new design;
 FIG. 2 is a top plan view thereof;
 FIG. 3 is a first side elevational view thereof;
 FIG. 4 is a front end elevational view thereof;
 FIG. 5 is a bottom plan view thereof; and,
 FIG. 6 is a second side elevational view thereof.
 The dash-dash broken lines shown in in the drawing figures depict a clamp handle and parts of the swing arm clamp that form no part of the claimed design. The dash-dot-dash broken lines depict the bounds of the claim in FIG. 3, FIG. 5, and FIG. 6, and form no part of the claimed design.

1 Claim, 3 Drawing Sheets



(56)

References Cited

U.S. PATENT DOCUMENTS

8,235,340	B2 *	8/2012	Carnevali	F16B 2/065 248/231.71
RE43,806	E *	11/2012	Carnevali	F16M 11/14 248/181.1
2005/0092877	A1 *	5/2005	Carnevali	F16M 11/40 248/160
2006/0000957	A1 *	1/2006	Carnevali	F16M 11/14 248/181.1
2006/0026807	A1 *	2/2006	Carnevali	B60R 11/0241 24/523
2006/0175766	A1 *	8/2006	Carnevali	B63B 49/00 277/628
2006/0256400	A1 *	11/2006	Carnevali	G06K 7/109 358/473
2007/0012825	A1 *	1/2007	Yeh	F16M 11/105 248/122.1
2008/0061197	A1 *	3/2008	Carnevali	F16M 11/14 248/181.1
2008/0061210	A1 *	3/2008	Carnevali	A47B 23/043 248/447
2009/0050758	A1 *	2/2009	Carnevali	F16B 47/00 248/205.8
2009/0108151	A1 *	4/2009	Carnevali	F16B 47/00 248/205.3
2009/0108152	A1 *	4/2009	Carnevali	F16B 47/00 248/205.5
2012/0317776	A1 *	12/2012	Carnevali	F16M 11/041 29/428
2013/0068915	A1 *	3/2013	Yang	F16M 11/041 248/551
2013/0206942	A1 *	8/2013	Trotsky	F16M 11/041 248/274.1

* cited by examiner

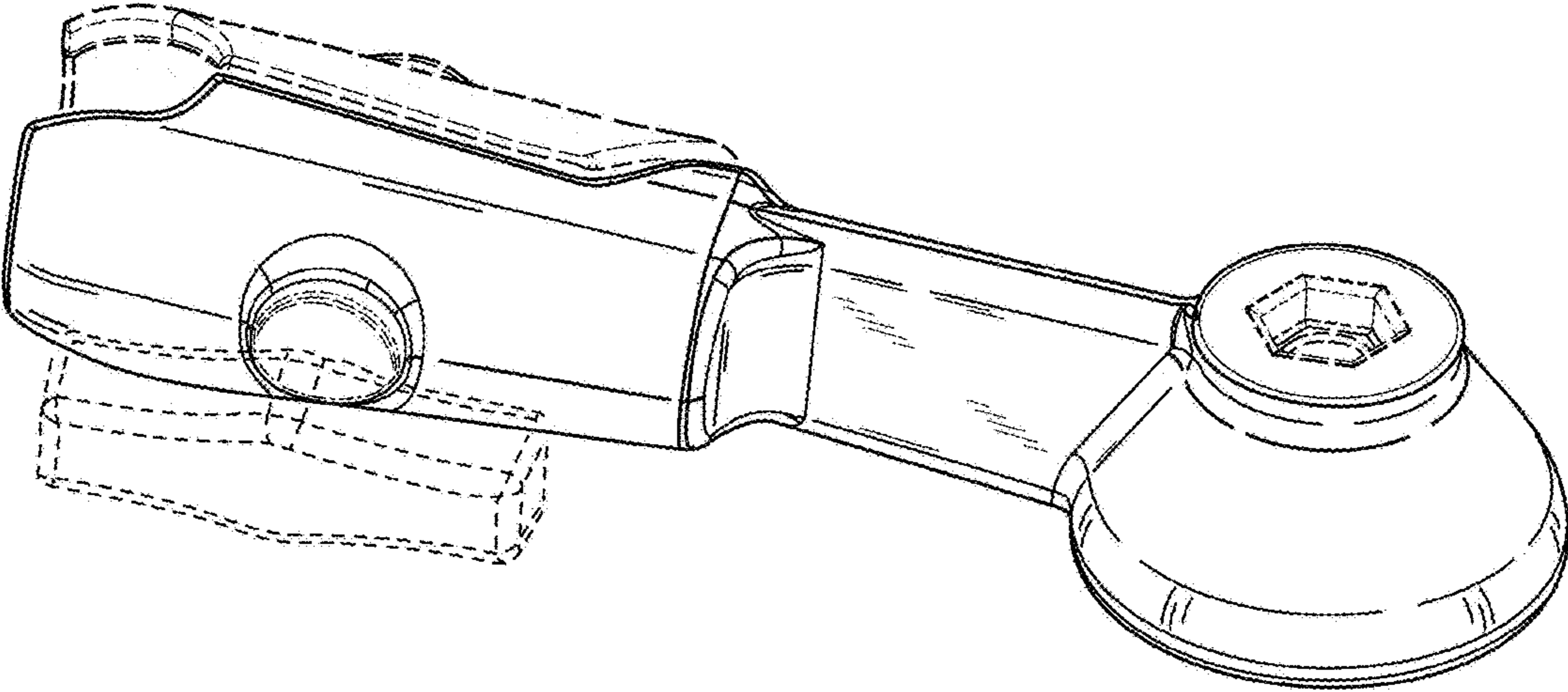


Fig. 1

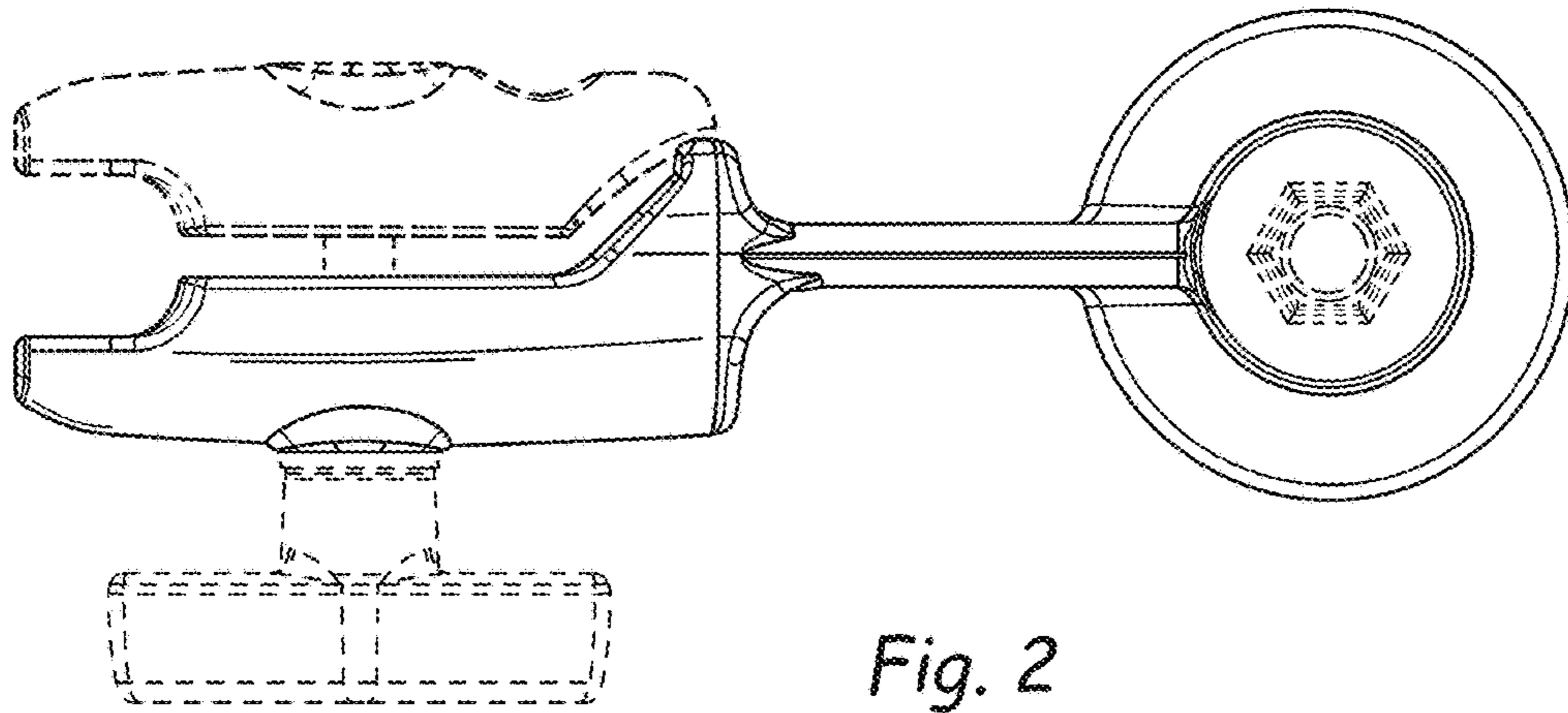


Fig. 2

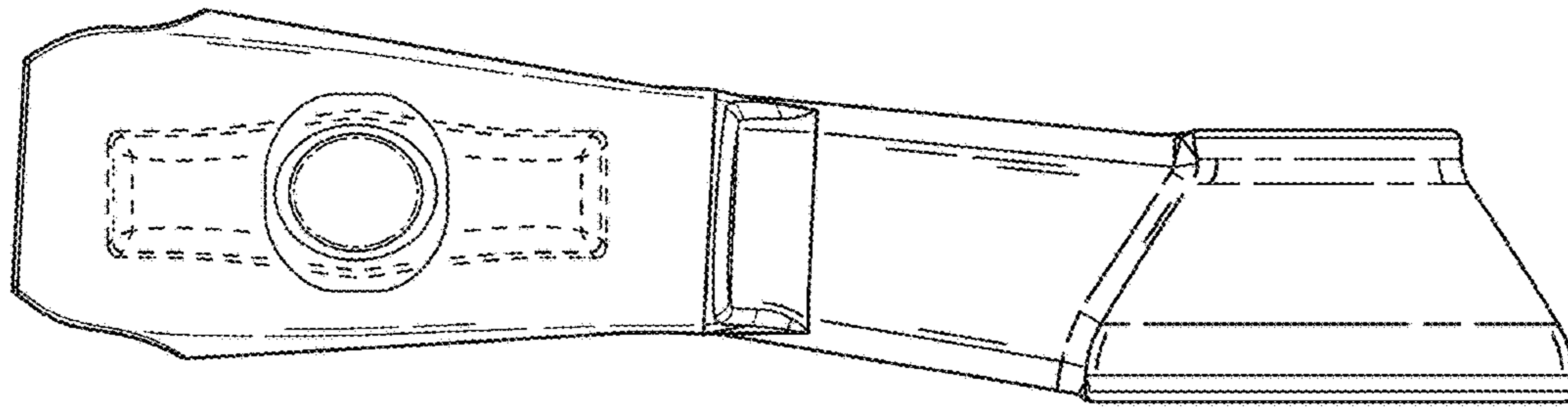


Fig. 3

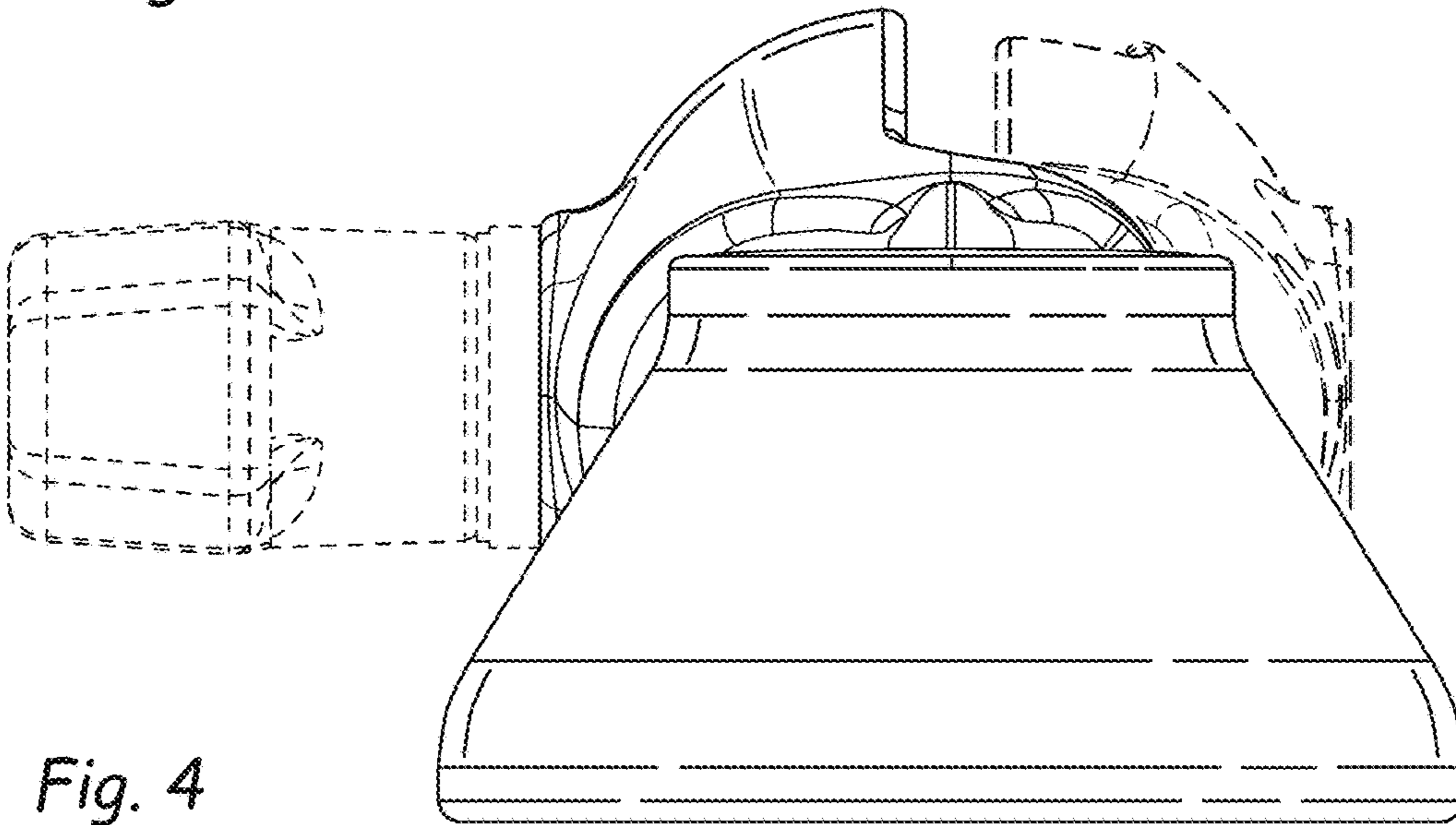


Fig. 4

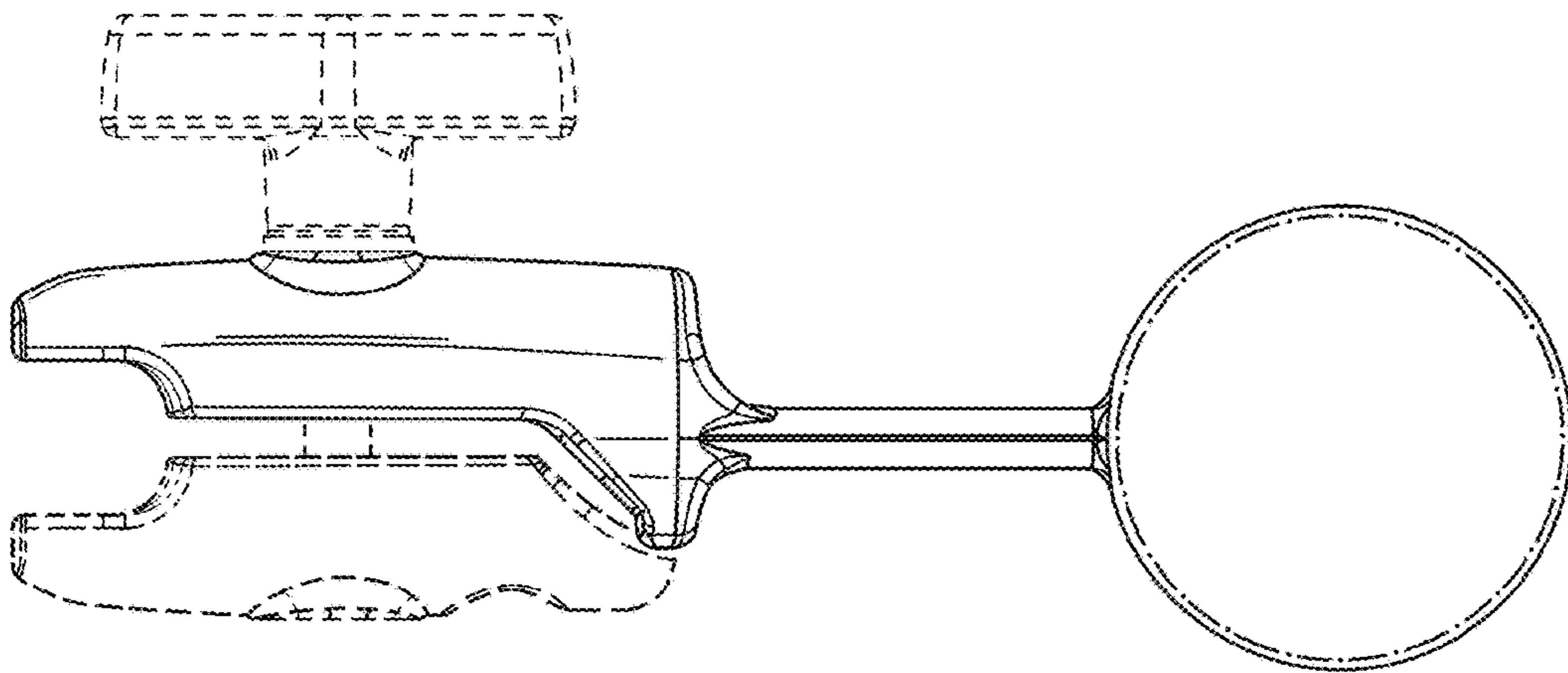


Fig. 5

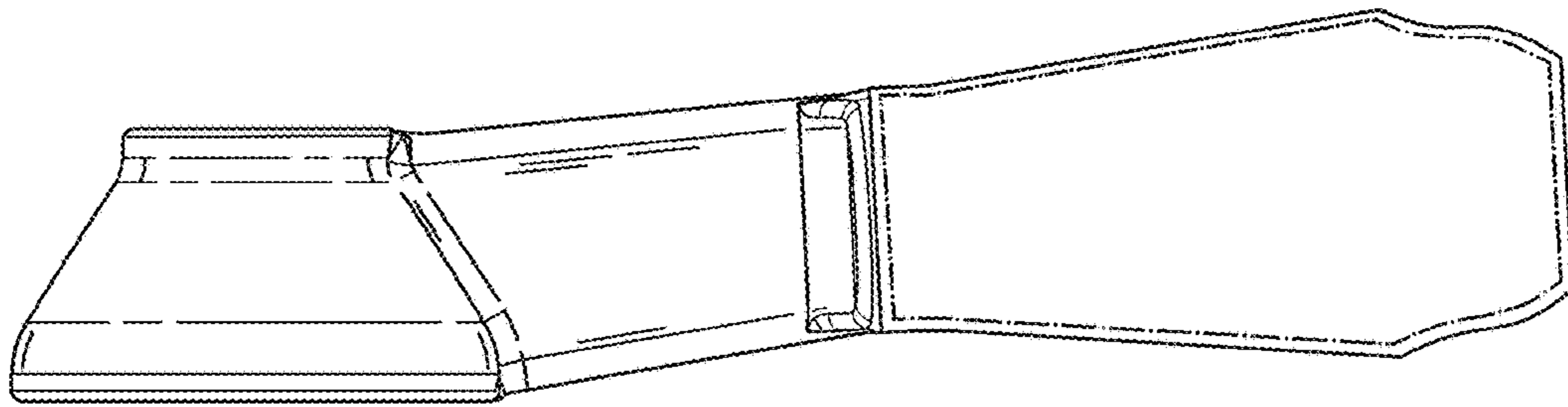


Fig. 6