



US00D824749S

(12) **United States Design Patent** (10) **Patent No.:** **US D824,749 S**
Wright et al. (45) **Date of Patent:** **** Aug. 7, 2018**

(54) **ROOFTOP SUPPORT**

(71) Applicant: **ZSI-Foster, Inc.**, Canton, MI (US)
(72) Inventors: **Thomas D. Wright**, Belleville, MI (US); **Jeffrey R. Henry**, Ballston Lake, NY (US)

(73) Assignee: **ZSI-Foster, Inc.**, Canton, MI (US)

(**) Term: **15 Years**

(21) Appl. No.: **29/591,881**

(22) Filed: **Jan. 25, 2017**

(51) **LOC (11) Cl.** **08-05**

(52) **U.S. Cl.**
USPC **D8/354**; D8/380

(58) **Field of Classification Search**
USPC D8/349, 354, 380; D13/102, 155
CPC F16L 3/00; F16L 3/237; F16B 5/12; F24F 13/0254

See application file for complete search history.

(56) **References Cited**

U.S. PATENT DOCUMENTS

D241,612 S * 9/1976 Matousek D8/354
D242,619 S * 12/1976 Bake D23/250
D417,135 S * 11/1999 McMahon D13/155
6,679,461 B1 * 1/2004 Hawkins F16L 3/00
248/346.01
D564,958 S * 3/2008 Almy D13/102
7,708,235 B2 * 5/2010 Hawkins F16L 3/24
248/346.01
7,735,270 B2 * 6/2010 Olle F24F 13/0254
52/167.9

(Continued)

FOREIGN PATENT DOCUMENTS

CA 155252 * 3/2015
CA 175942 * 2/2018
JP D169471 * 4/2003

OTHER PUBLICATIONS

B-Line DB10 Rooftop Channel Support, posted at amazon.com, posting date not given, [online], [site visited Mar. 26, 2018]. Available from Internet, URL: <https://www.amazon.com/B-Line-DB10-Recycled-Rooftop-Dura-BlokTM/dp/B00KCYTU5K/> (Year: 2018).*

(Continued)

Primary Examiner — George D. Kirschbaum

Assistant Examiner — Maria J Edwards

(74) *Attorney, Agent, or Firm* — Harness, Dickey & Pierce, P.L.C.

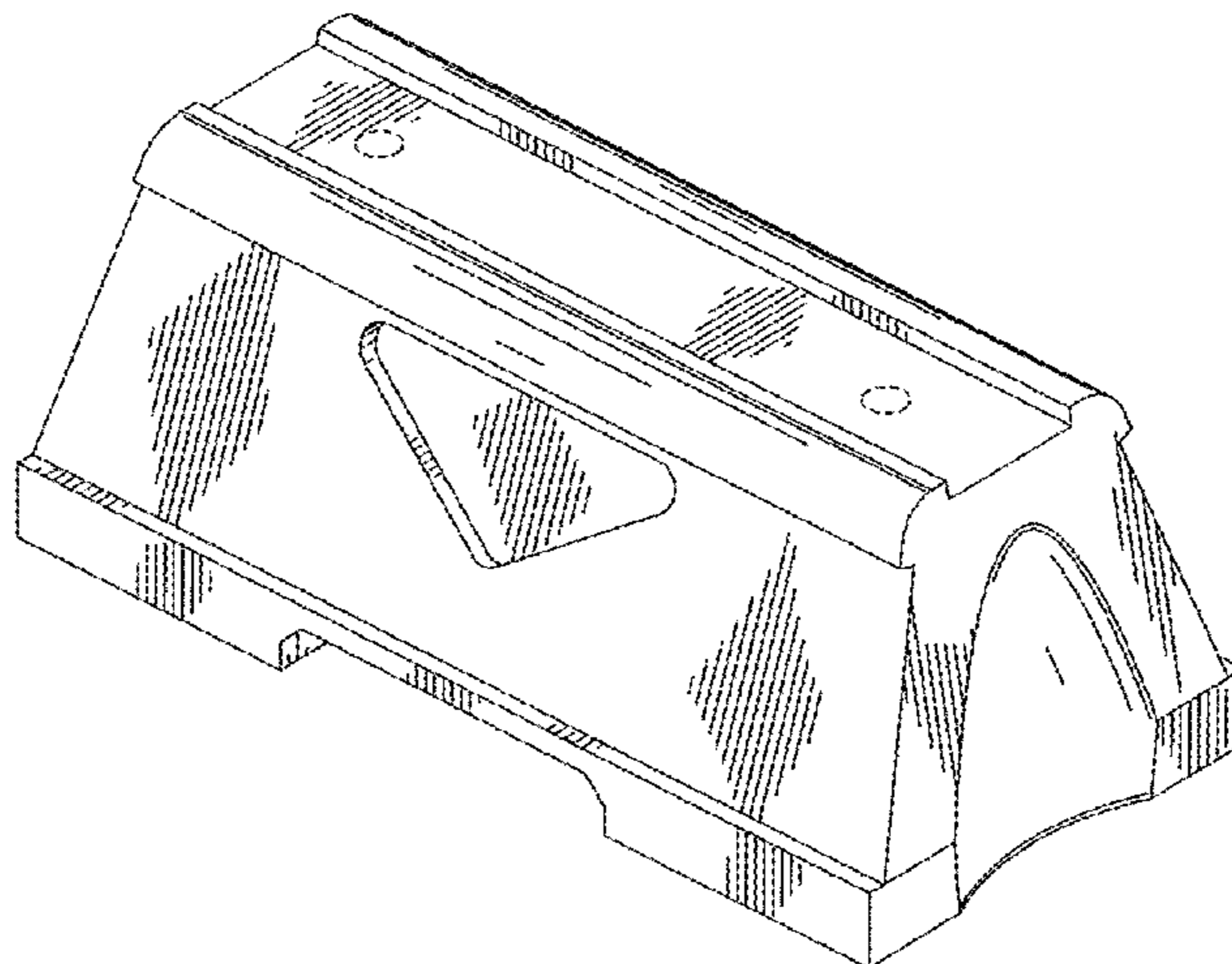
(57) **CLAIM**

The ornamental design for a rooftop support, as shown and described.

DESCRIPTION

FIG. 1 is a front perspective view of a rooftop support in accordance with the present invention; FIG. 2 is a bottom perspective view of the rooftop support of FIG. 1; FIG. 3 is a front elevational view of the rooftop support of FIG. 1; FIG. 4 is a left side elevational view of the rooftop support of FIG. 1; FIG. 5 is a top plan view of the rooftop support of FIG. 1; FIG. 6 is a right side elevational view of the rooftop support of FIG. 1; FIG. 7 is a back elevational view of the rooftop support of FIG. 1; and, FIG. 8 is a bottom plan view of the rooftop support of FIG. 1. The broken lines in FIGS. 1, 2, 5, and 8 depict portions of the rooftop support that form no part of the claimed design.

1 Claim, 3 Drawing Sheets



(56)

References Cited

U.S. PATENT DOCUMENTS

7,922,130 B2 * 4/2011 Hawkins F16L 3/00
 248/346.01
 D666,899 S * 9/2012 Eichner D8/380
 D667,296 S * 9/2012 Eichner D8/380
 8,356,778 B2 * 1/2013 Birli F16L 3/127
 248/65
 D692,393 S * 10/2013 Hillman D13/102
 D738,711 S * 9/2015 Tally D8/380
 D749,935 S * 2/2016 Rook D8/349
 D758,834 S * 6/2016 Tally D8/380
 D767,796 S * 9/2016 Kinsman D25/133
 D774,765 S * 12/2016 Hsieh D3/313
 9,523,380 B2 * 12/2016 Brown E04D 13/00
 9,528,271 B2 * 12/2016 Rook E04H 12/12
 9,726,303 B1 * 8/2017 Gretz F16L 3/00
 D810,008 S * 2/2018 Mollison D13/102
 D810,010 S * 2/2018 Rook D13/102
 2007/0120036 A1 * 5/2007 Olle F16L 3/24
 248/615

2008/0054143 A1 * 3/2008 Collins F16L 3/02
 248/227.2
 2014/0197282 A1 * 7/2014 Turner F16L 3/18
 248/49
 2014/0332641 A1 * 11/2014 Wilson F16L 3/2235
 248/71

OTHER PUBLICATIONS

B-Line DB20 Rooftop Support, posted at amazon.com, posting date not given, [online], [site visited Mar. 26, 2018]. Available from Internet, URL: <https://www.amazon.com/DB20-ROOF-TOP-SUPPORT-20-2/dp/B016X3T6B6/> (Year: 2018).*

Cush-A-Block Rooftop Supports, posted at zsi-inc.com, posting date not given, [online], [site visited Mar. 26, 2018]. Available from Internet, URL: <https://www.zsi-inc.com/index.php?P=Roof-451> (Year: 2018).*

HBS-Base Series H-Block Rooftop Support, posted at haydoncorp.com, posting date not given, [online], [site visited Mar. 26, 2018]. Available from Internet, URL: <https://www.haydoncorp.com/products/rooftop-supports/h-block-support/hbs-base-series> (Year: 2018).*

* cited by examiner

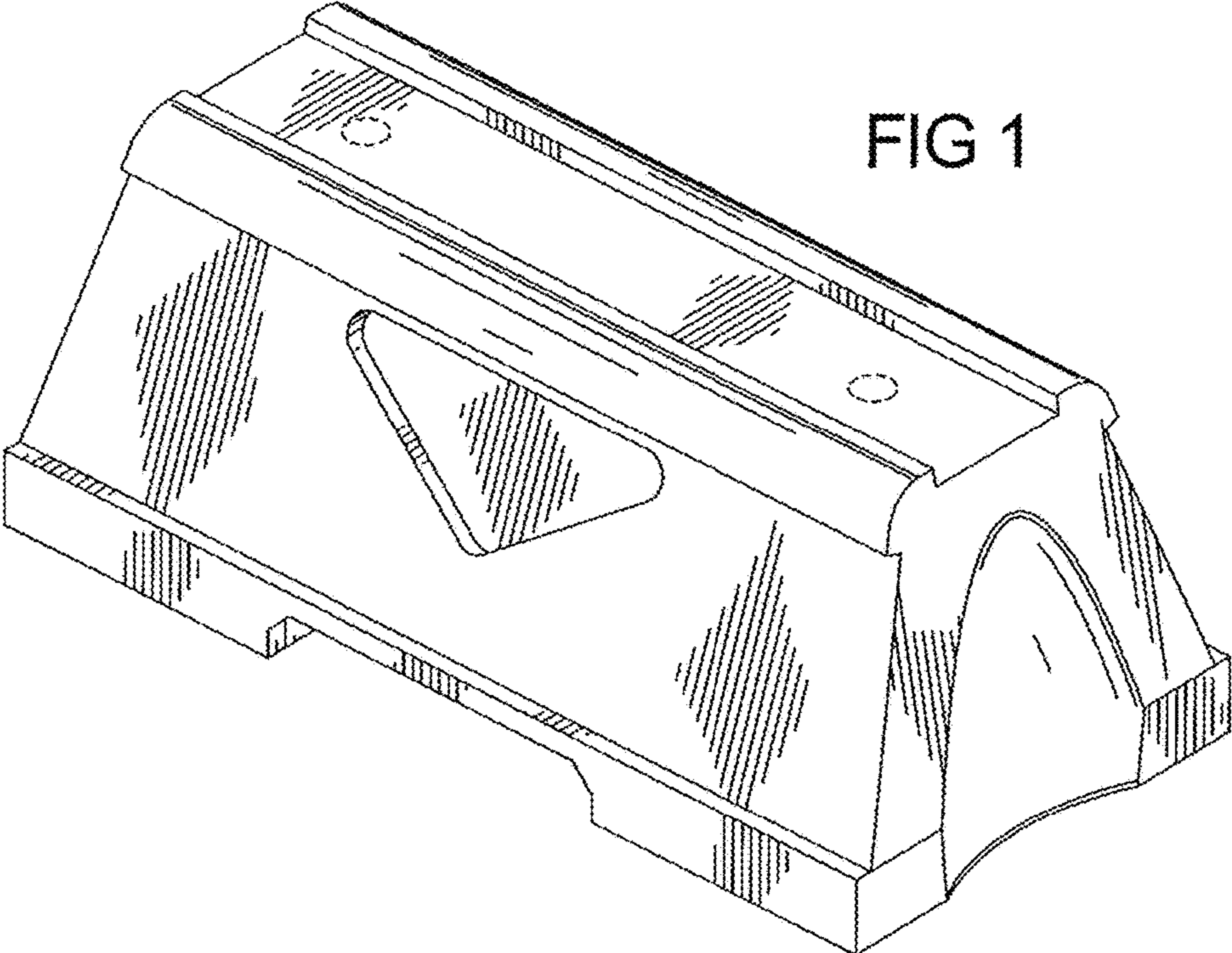


FIG 1

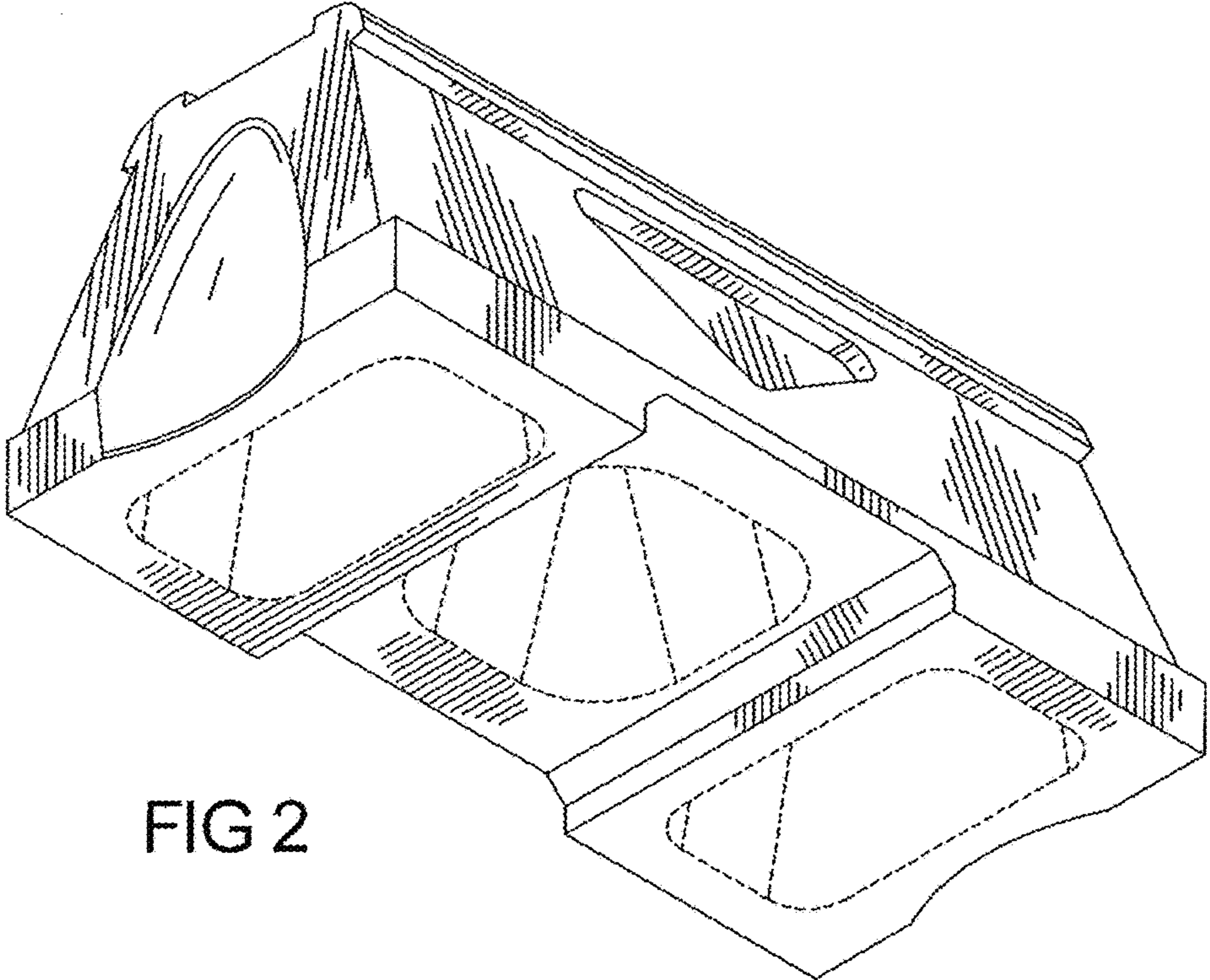


FIG 2

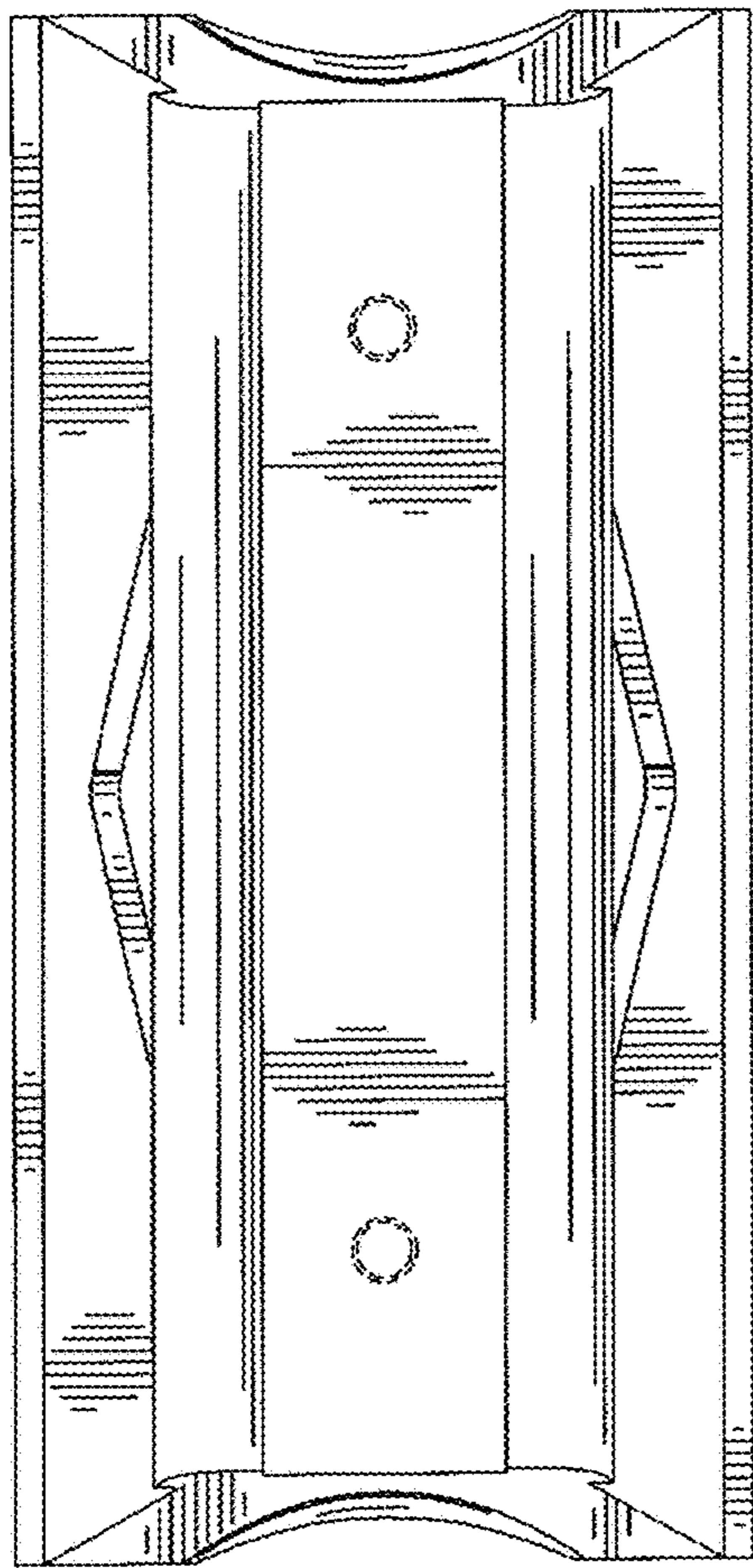


FIG 5

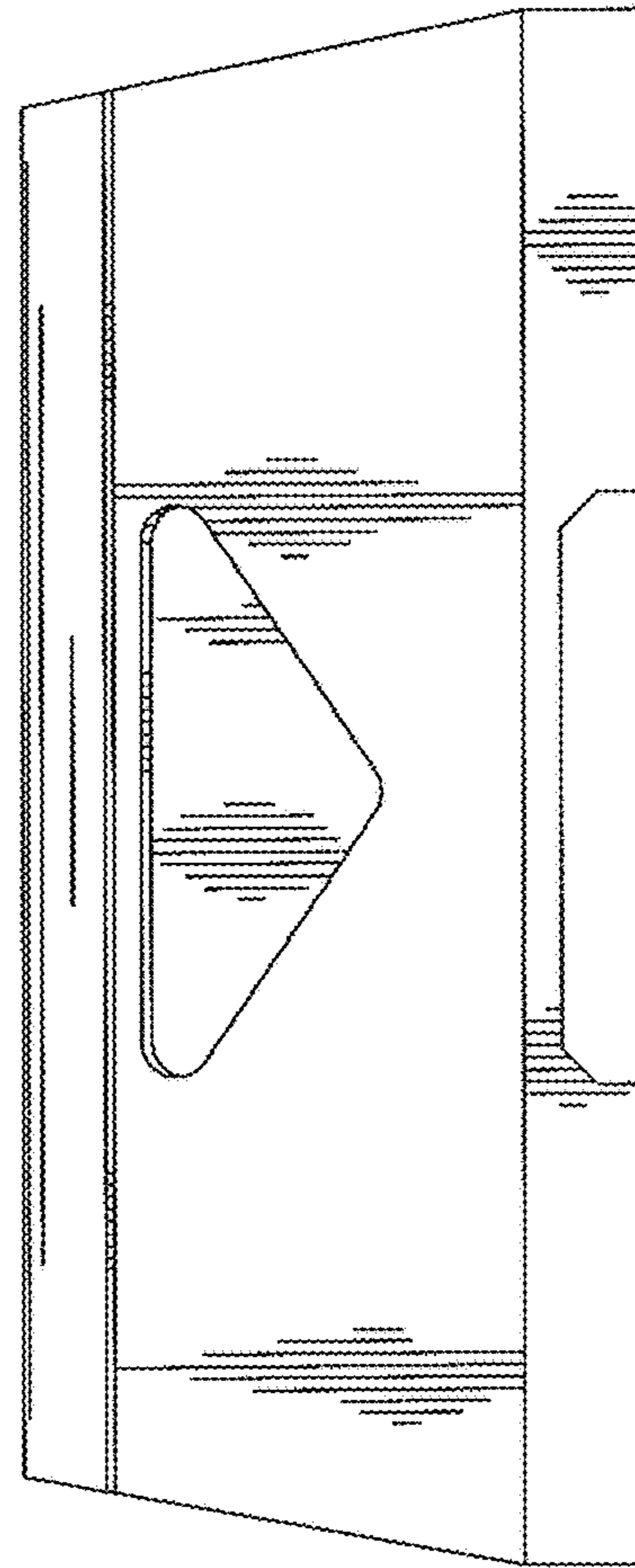


FIG 3

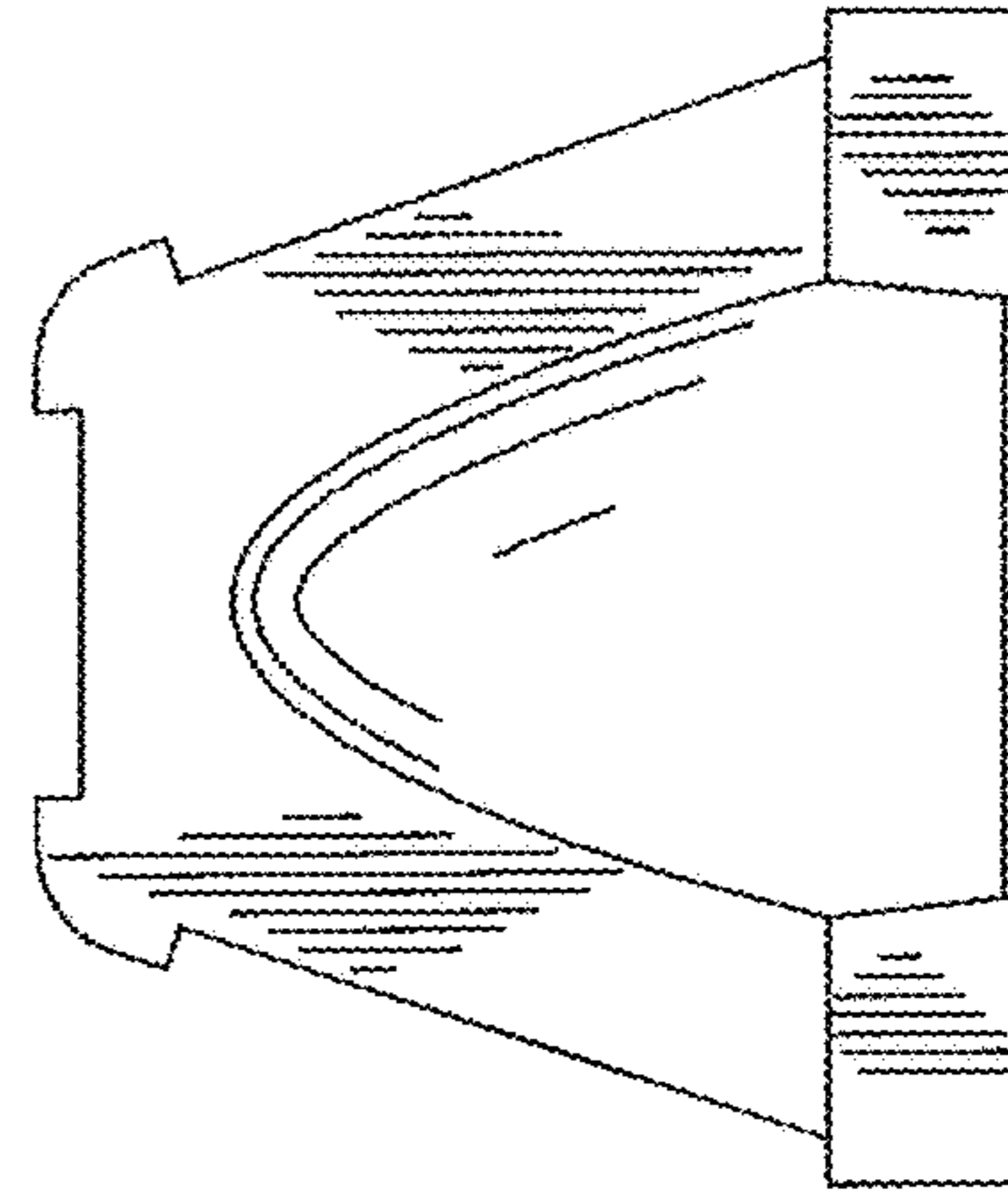


FIG 4

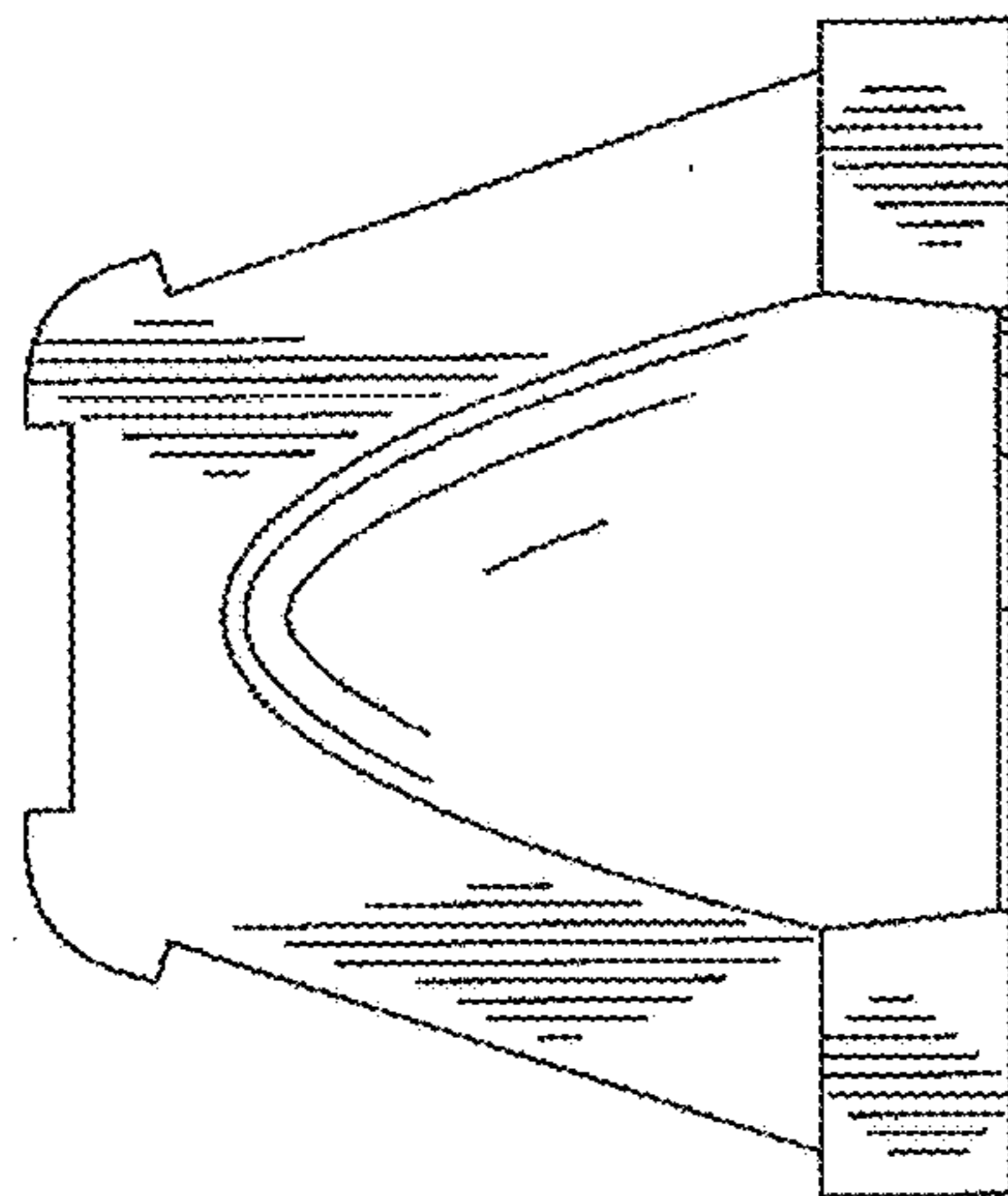


FIG 6

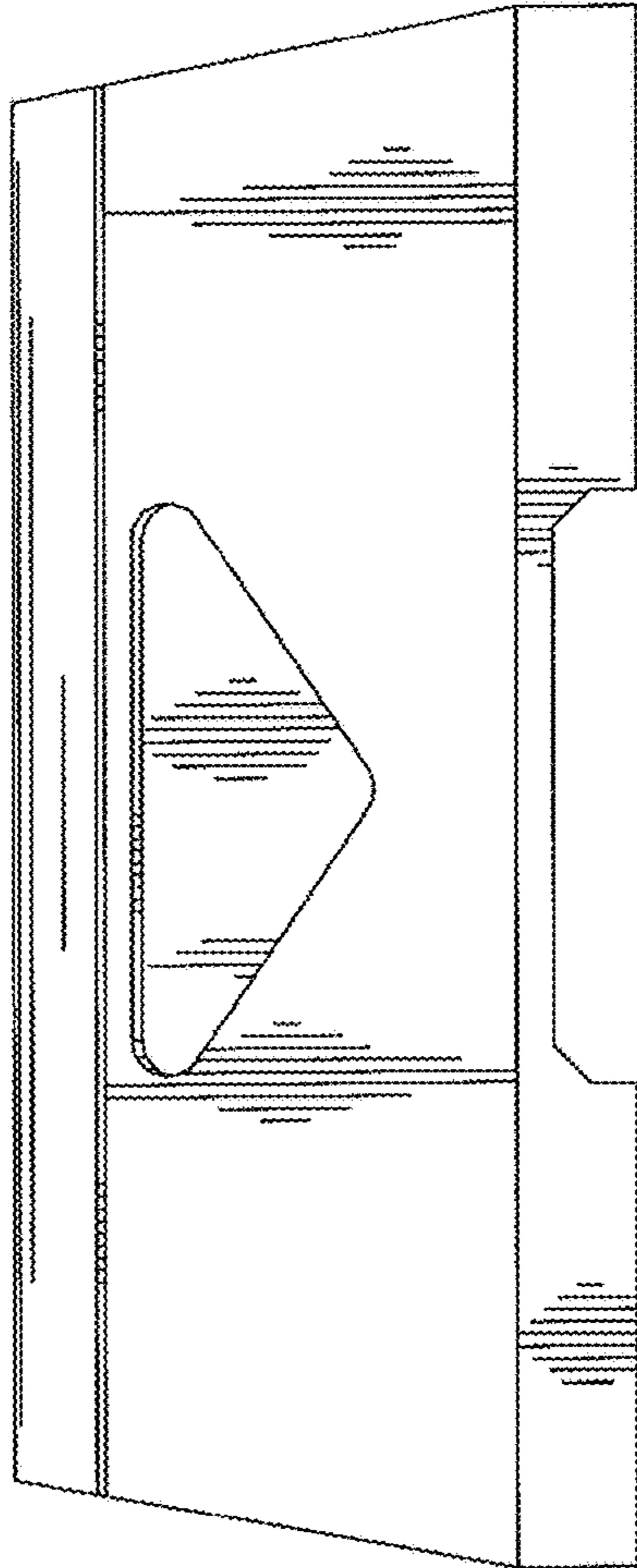


FIG 7

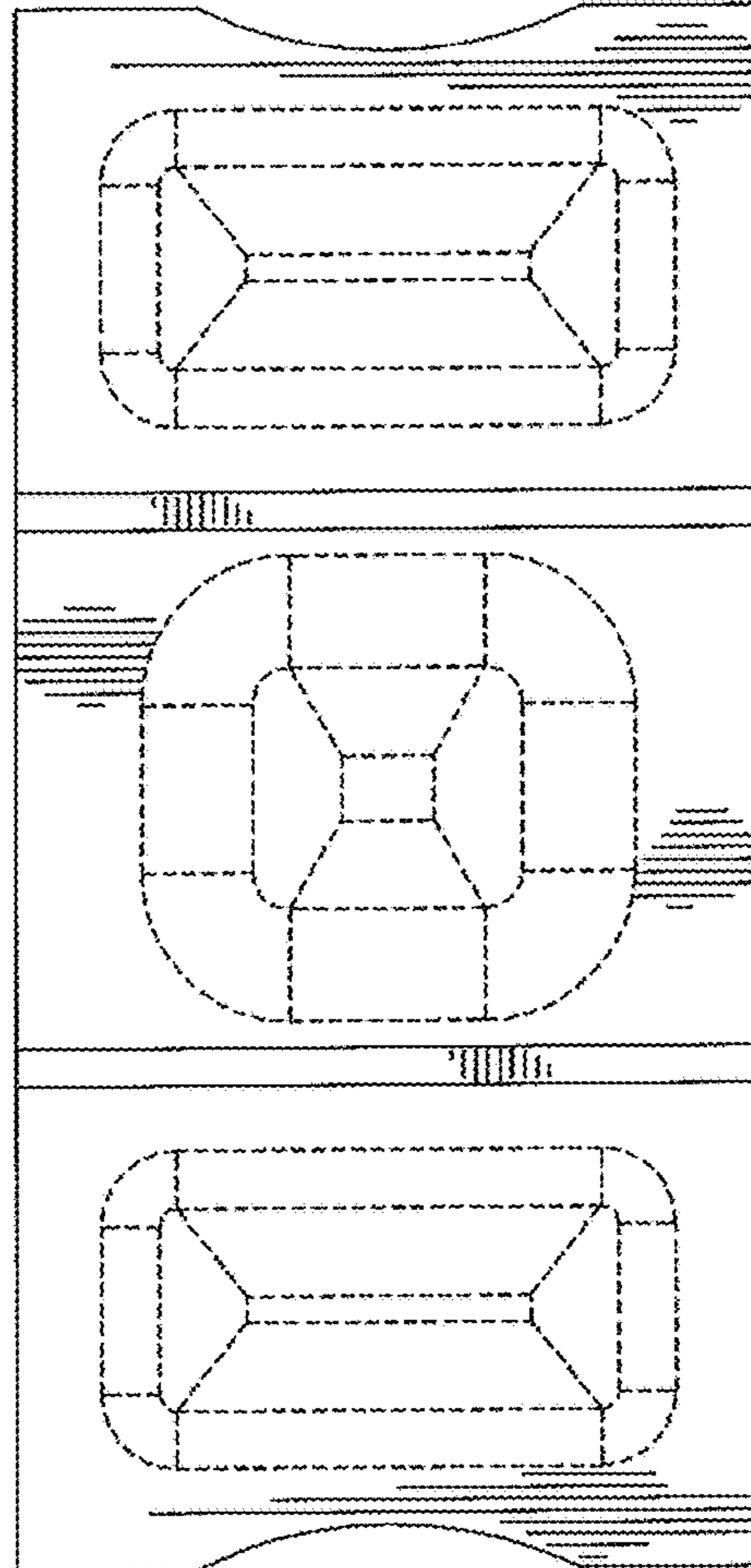


FIG 8