



US00D824748S

(12) **United States Design Patent** (10) **Patent No.:** **US D824,748 S**
Needel et al. (45) **Date of Patent:** **** Aug. 7, 2018**

(54) **VARIABLE ANGLE BRACKET**

9,079,465 B1 * 7/2015 Sanfleben B60D 1/58
D795,676 S * 8/2017 Karol D8/349
D799,937 S * 10/2017 Karol D8/354

(71) Applicant: **DEKA Products Limited Partnership,**
Manchester, NH (US)

(72) Inventors: **Gregory Needel,** Dallas, TX (US);
William D. Hunt, Gilmanton, NH
(US); **Daniel S. Karol,** Southborough,
MA (US)

(73) Assignee: **DEKA Products Limited Partnership,**
Manchester, NH (US)

(**) Term: **15 Years**

(21) Appl. No.: **29/572,415**

(22) Filed: **Jul. 27, 2016**

(51) **LOC (11) Cl.** **08-05**

(52) **U.S. Cl.**
USPC **D8/354**

(58) **Field of Classification Search**
USPC D8/354, 349, 355, 363, 366, 371, 373,
D8/380; 160/323 A, 321, 323.1;
248/267, 268; D12/223
CPC ... E02D 27/02; E04B 2005/322; E04G 11/06;
E04G 11/36

See application file for complete search history.

(56) **References Cited**

U.S. PATENT DOCUMENTS

D296,886 S * 7/1988 Young, Jr. D12/162
D442,539 S * 5/2001 Nickel D12/223
D528,951 S * 9/2006 Oben D12/180
D530,187 S * 10/2006 Esbaugh D8/354
D534,064 S * 12/2006 Gimpel D8/382
D534,905 S * 1/2007 Sergi D14/238
D556,842 S * 12/2007 Webber D21/694
D666,133 S * 8/2012 In D12/223

OTHER PUBLICATIONS

TETRIX® Max Adjustable Angle Flat Bracket—PITSCO TETRIX
Robotics http://www.tetrixrobotics.com/Mounts_and_Brackets/TETRIX_MAX_Adjustable_Angle_Flat_Bracket © 2017 Pitsco,
Inc.

TETRIX® Max Adjustable Angle Corner Bracket—PITSCO
TETRIX Robotics http://www.tetrixrobotics.com/TETRIX_MAX_Adjustable_Angle_Corner_Bracket?ap=10694-8739 © 2017 Pitsco, Inc.

Adjustable Angle Bracket—TEKNOMEGA S.r.l. (<http://www.teknomega.com>) <http://www.teknomega.com/fixing-system-for-photovoltaic-installations/steel-brackets-for-strut-profile/adjustable-angle-bracket> Copyright 2009 TEKNOMEGA S.r.l.

REV Robotics—REV 15mm—Bent Motor Bracket, www.revrobotics.com/product/rev-41-1027b/, REV Robotics LLC, Copyright 2016.

* cited by examiner

Primary Examiner — Mark Goodwin

(74) *Attorney, Agent, or Firm* — Kathleen Chapman

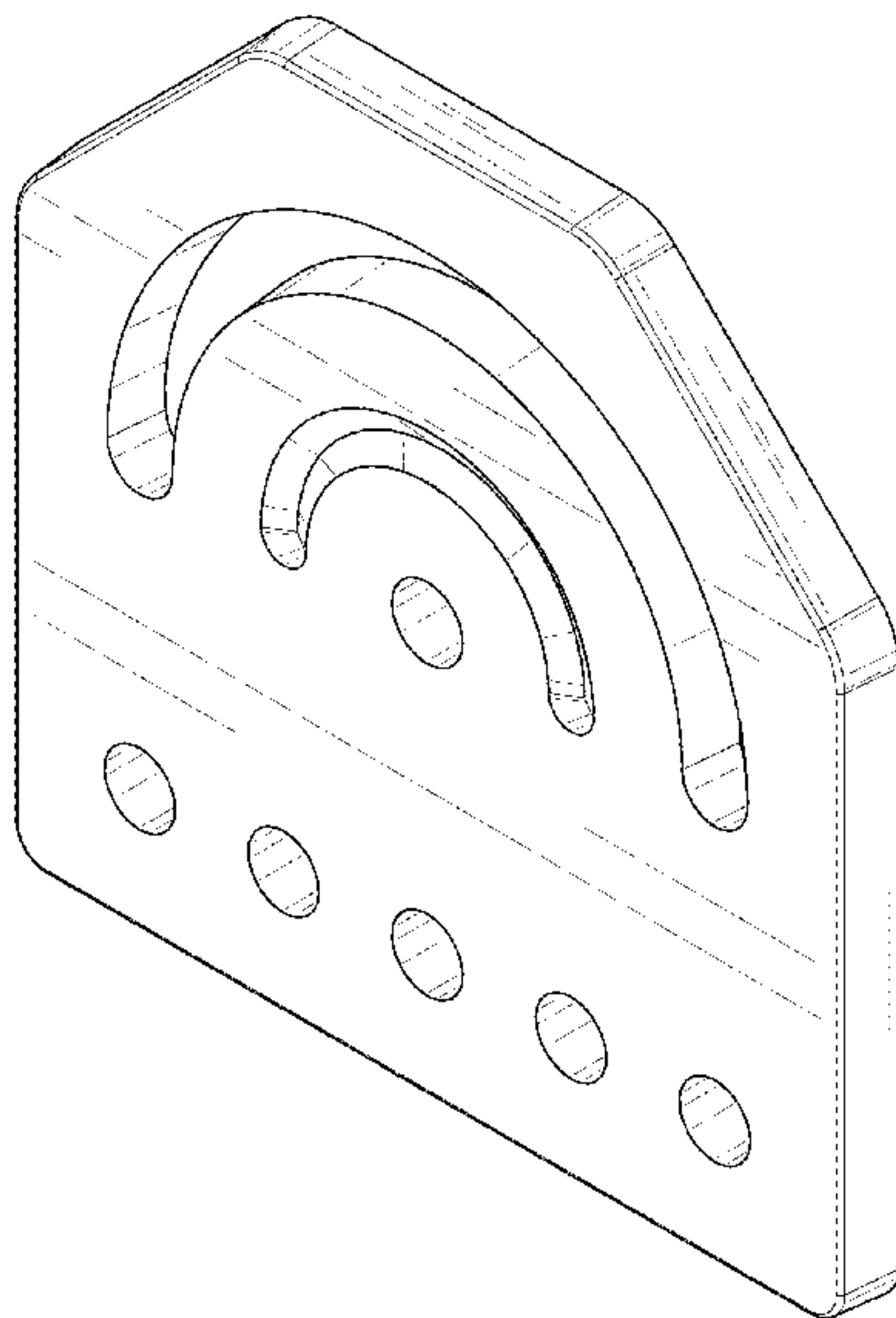
(57) **CLAIM**

The ornamental design of a variable angle bracket, as shown and described.

DESCRIPTION

FIG. 1 is a front, top, right side perspective view of the variable angle bracket, showing our new design; FIG. 2 is a front side elevational view thereof; FIG. 3 is a rear side elevational view thereof; FIG. 4 is a left side elevational view thereof; FIG. 5 is a right side elevational view thereof; FIG. 6 is a top plan view thereof; and, FIG. 7 is a bottom plan view thereof.

1 Claim, 5 Drawing Sheets



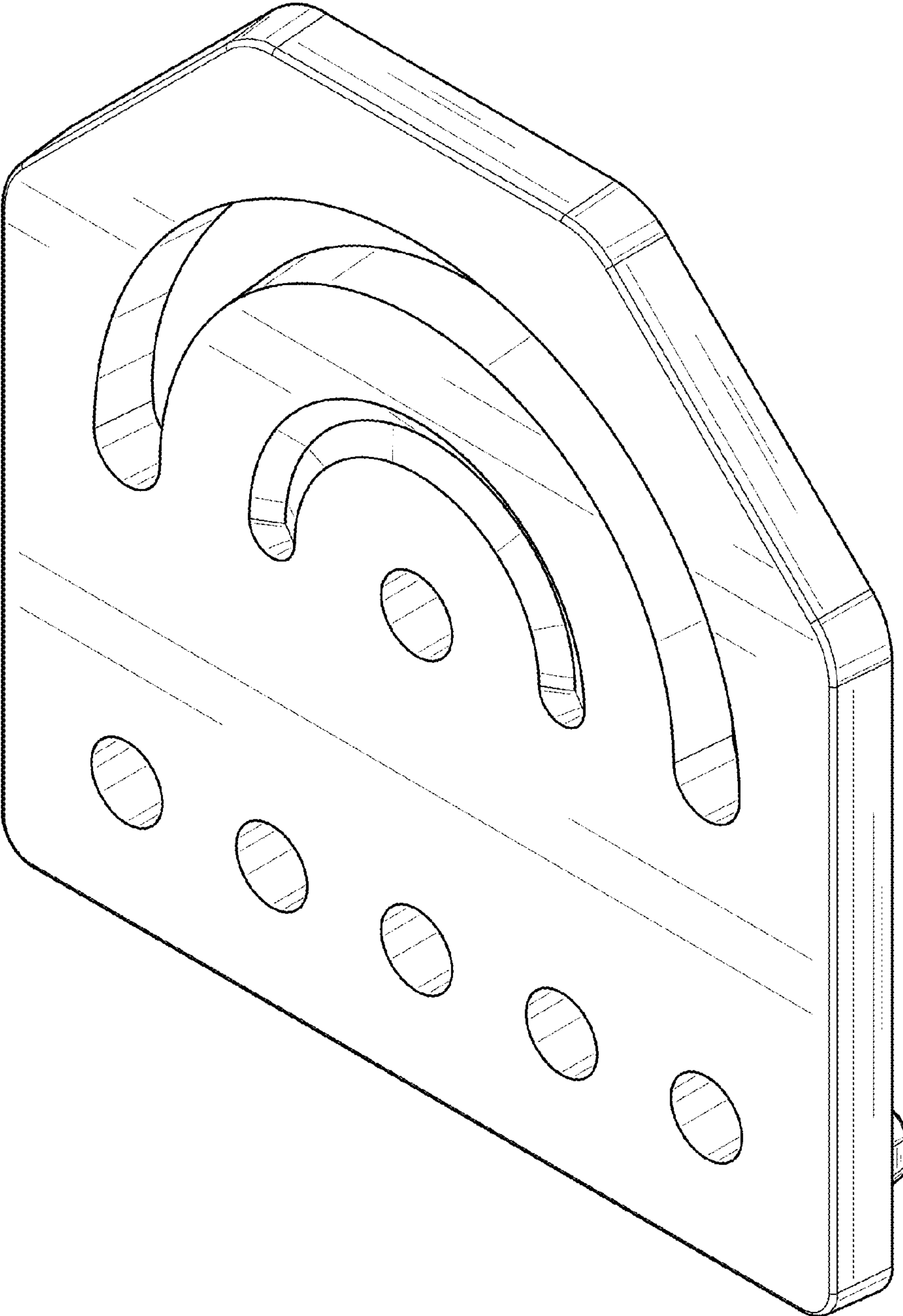


FIG. 1

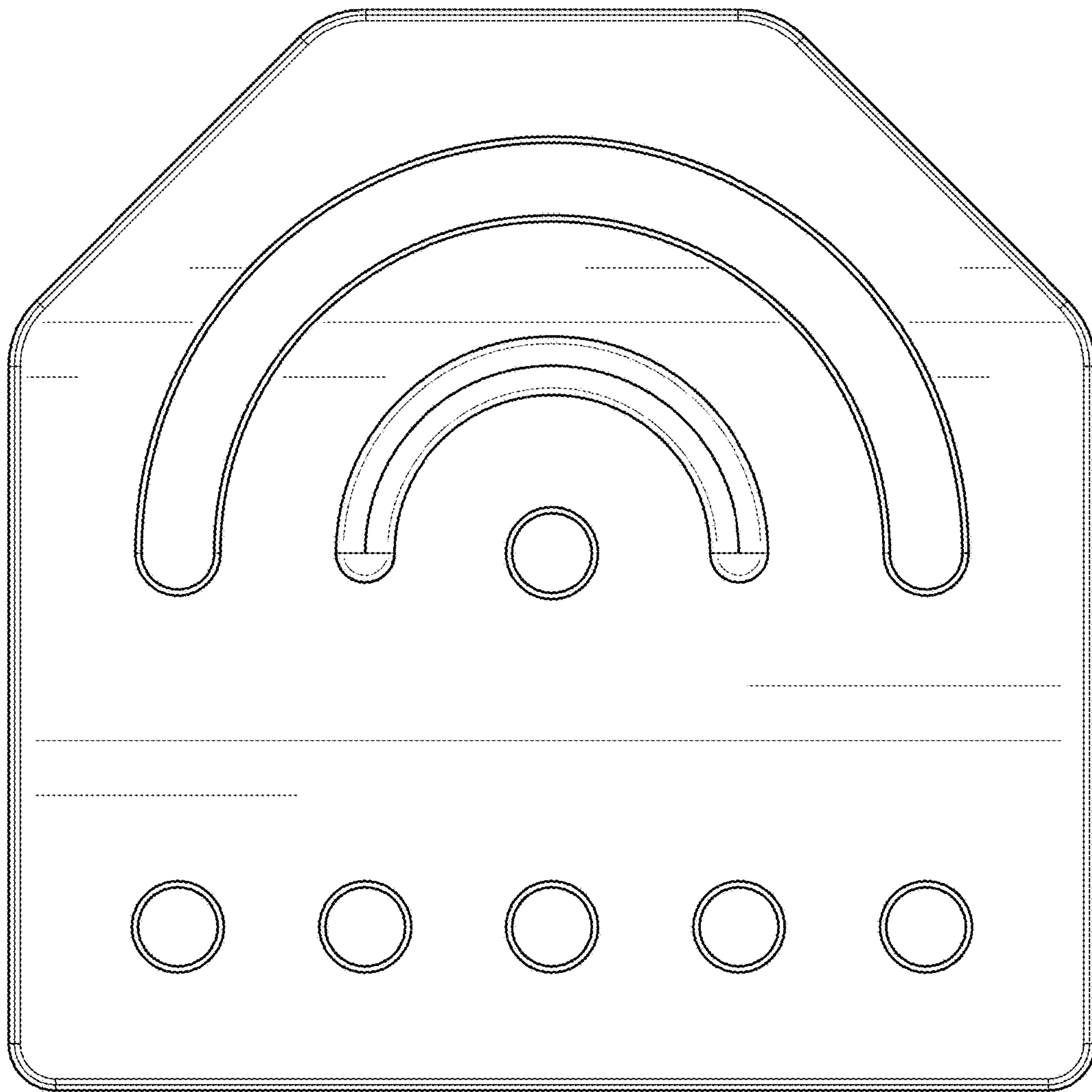


FIG. 2

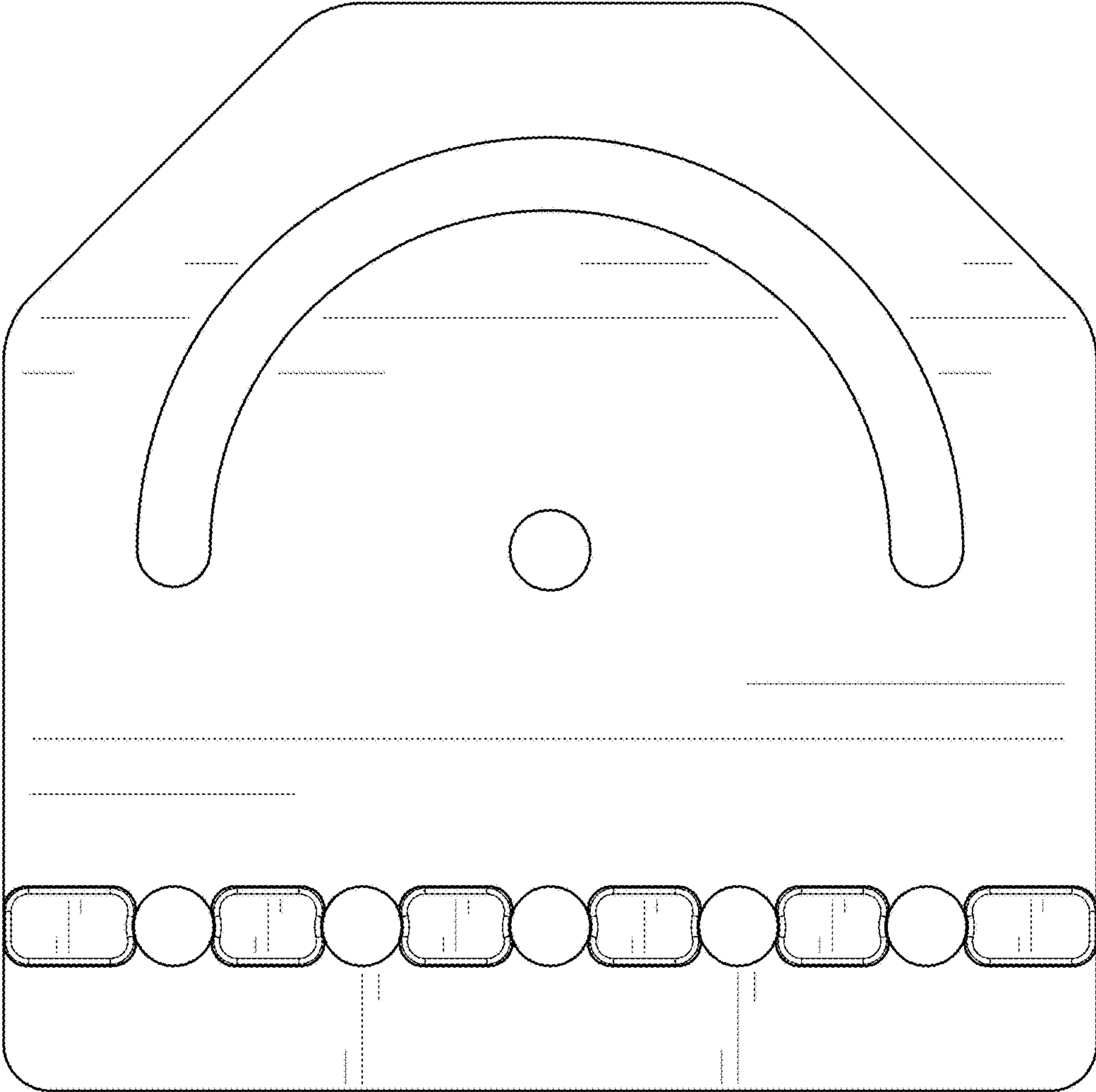


FIG. 3

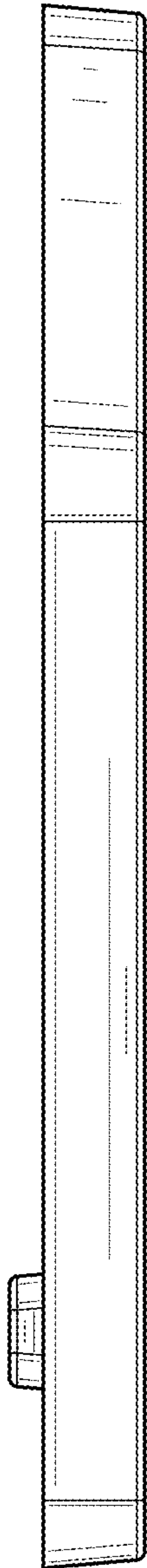


FIG. 4

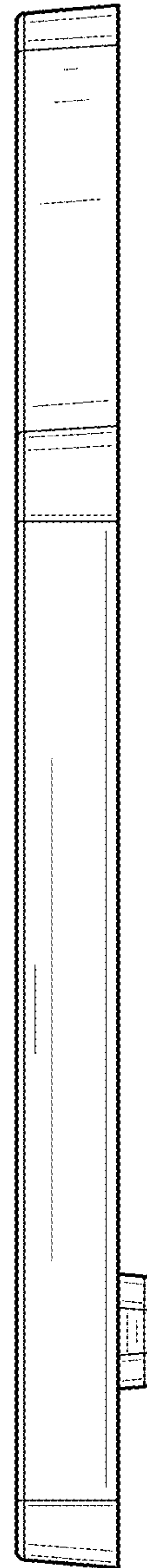


FIG. 5

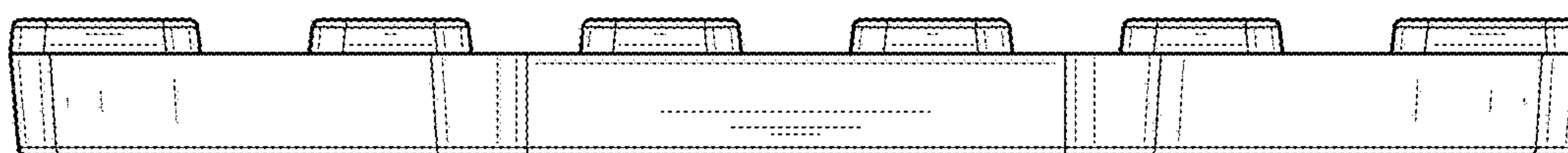


FIG. 6

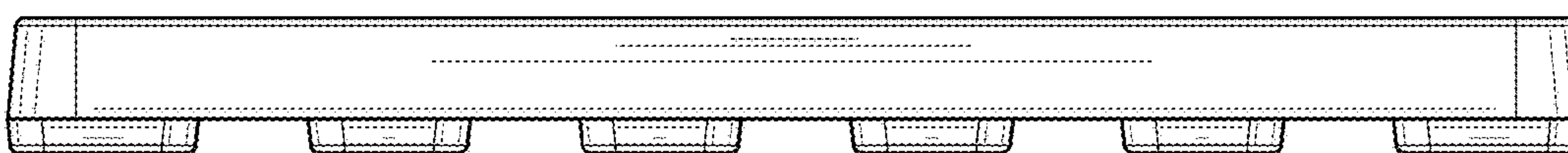


FIG. 7