



US00D824747S

(12) **United States Design Patent** (10) **Patent No.:** **US D824,747 S**
Briese et al. (45) **Date of Patent:** **** Aug. 7, 2018**

(54) **WINDOW SPACER FRAME LOCKING MEMBER**

6,746,058 B2 * 6/2004 Kienzler F16B 19/109
 292/175
 D581,247 S * 11/2008 Durrant D8/331
 D596,921 S * 7/2009 Hageman D8/330

(71) Applicant: **GED INTEGRATED SOLUTIONS, INC.**, Twinsburg, OH (US)

(Continued)

(72) Inventors: **William Briese**, Hinckley, OH (US);
Clifford J. Weber, Richfield, OH (US)

FOREIGN PATENT DOCUMENTS

KR 300349686.0000 * 4/2004

(73) Assignee: **GED Integrated Solutions, Inc.**,
 Twinsburg, OH (US)

OTHER PUBLICATIONS

(**) Term: **15 Years**

Six (6) photographs of a Table Cap for desks. The Table Cap shown in the photographs was on sale more than one-year prior to the filing of the subject application. That is, the Table Cap shown in the photographs was on sale at least as early as Sep. 29, 2015. Three (3) pages total for consideration.

(21) Appl. No.: **29/579,520**

(22) Filed: **Sep. 30, 2016**

Primary Examiner — Susan Bennett Hattan
Assistant Examiner — Leanne Was-Englehart
 (74) *Attorney, Agent, or Firm* — John A. Yirga, Esq.;
 Tarolli, Sundheim, Covell & Tummino LLP

(51) **LOC (11) Cl.** **08-07**

(52) **U.S. Cl.**
 USPC **D8/343; D25/48.7**

(58) **Field of Classification Search**
 USPC D8/330, 331, 339, 341, 343; D25/48.1,
 D25/48.3, 48.7, 48.8, 61, 199
 CPC F16B 21/12; F16B 41/00; F16B 41/002;
 F16B 19/109; F16B 5/0208; F16B 5/0266
 See application file for complete search history.

(57) **CLAIM**

The ornamental design for a window spacer frame locking member, as shown and described.

DESCRIPTION

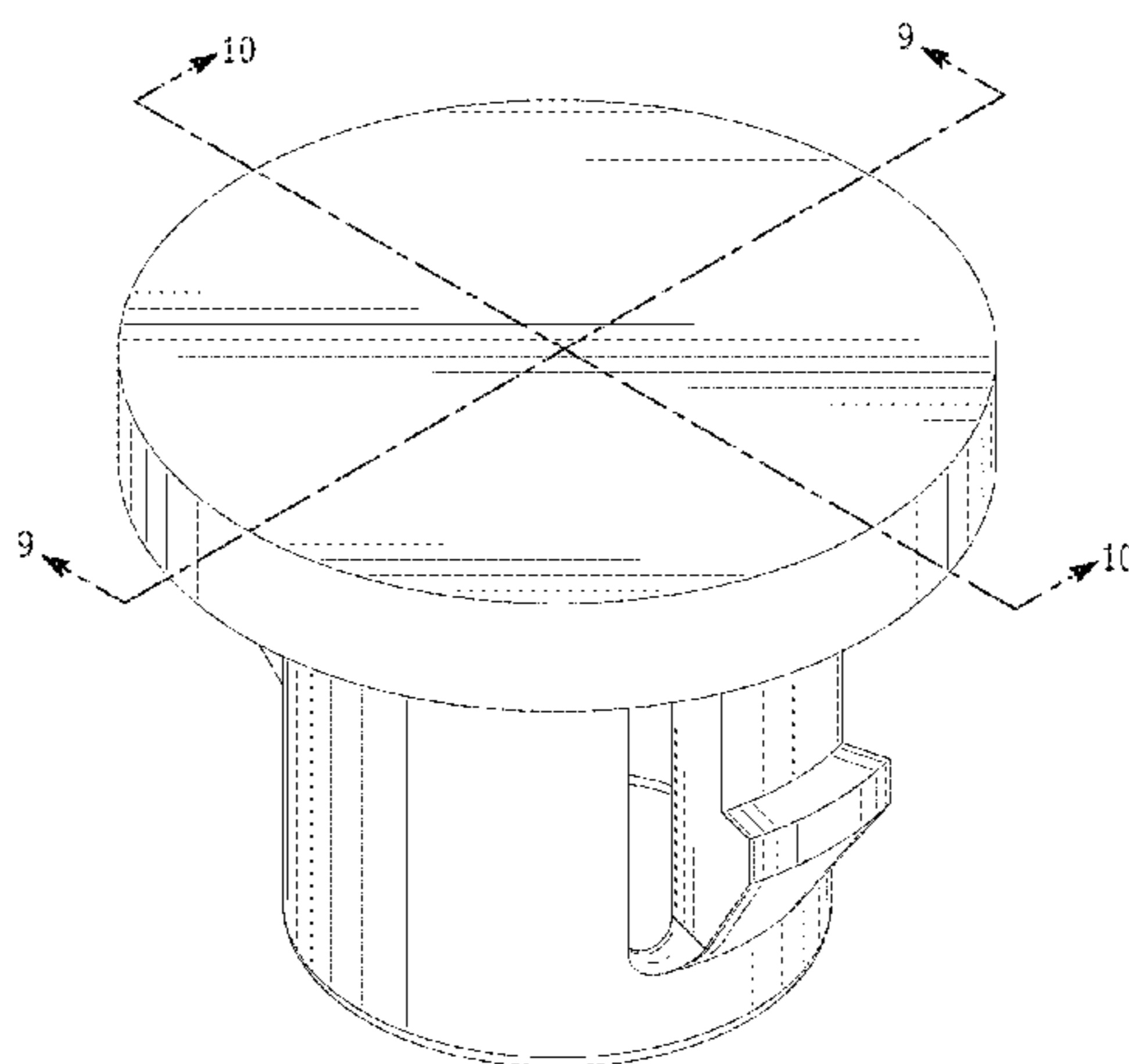
(56) **References Cited**

U.S. PATENT DOCUMENTS

D34,031 S * 2/1901 Milligan D8/385
 1,018,336 A * 2/1912 Otte F16B 21/12
 411/351
 3,924,506 A * 12/1975 Uozumi F16B 21/12
 411/360
 D273,091 S * 3/1984 Kurosaki D8/382
 5,133,168 A * 7/1992 Neilly E06B 3/5892
 52/204.5
 5,157,950 A * 10/1992 Demarest, Jr. E05B 17/2073
 292/67
 D350,686 S * 9/1994 Myers D8/343
 D390,162 S * 2/1998 Philipson D11/222
 D469,680 S * 2/2003 Laabs D8/343

FIG. 1 is a top left perspective view of a window spacer frame locking member in accordance with the present disclosure;
 FIG. 2 is a bottom right perspective view thereof;
 FIG. 3 is a right side elevation view thereof;
 FIG. 4 is a left side elevation view thereof;
 FIG. 5 is a front elevation view thereof;
 FIG. 6 is a rear elevation view thereof;
 FIG. 7 is a top plan view thereof;
 FIG. 8 is a bottom plan view thereof;
 FIG. 9 is a cross-section of a right side elevation view thereof taken along lines 9-9 of FIG. 1; and,
 FIG. 10 is a cross-section front elevation view thereof taken along lines 10-10 of FIG. 1.

1 Claim, 10 Drawing Sheets



(56)

References Cited

U.S. PATENT DOCUMENTS

D617,172 S *	6/2010	DiVito	D8/343	2005/0238456 A1*	10/2005	Stinson	F16B 13/045
7,802,365 B2*	9/2010	McGlinchy	B21D 53/74					411/34
				29/403.3	2007/0294865 A1*	12/2007	Sano	F16B 19/1081
7,866,033 B2*	1/2011	James	E06B 3/67304					24/324
				29/403.1	2010/0199569 A1*	8/2010	Piedade	E06B 65/0025
D649,431 S *	11/2011	Shartel	D8/330					49/460
8,393,840 B2*	3/2013	Chiu	F16B 5/0208	2013/0336719 A1*	12/2013	Baus	F16B 2/16
				411/353					403/379.5
8,720,874 B2*	5/2014	Tschida	F16B 19/109	2015/0125235 A1*	5/2015	Benthien	F16B 21/065
				269/229					411/72
D736,420 S *	8/2015	Somerfield	D25/199	2015/0139754 A1*	5/2015	Aoshima	F16B 19/004
9,212,515 B2*	12/2015	Calcel	B21D 53/74					411/504
D752,952 S *	4/2016	Barz	D8/349	2015/0259970 A1*	9/2015	Briese	E06B 3/67386
9,316,242 B2*	4/2016	Aoshima	F16B 19/004					156/109
D795,674 S *	8/2017	Schroll	D8/343	2015/0361713 A1*	12/2015	Briese	E06B 3/66309
2004/0262929 A1*	12/2004	Trickel	E05B 65/0841					52/783.1
				292/241	2016/0017910 A1*	1/2016	McDowell	F16B 19/008
									403/323
					2016/0298668 A1*	10/2016	Kanie	F16B 21/07

* cited by examiner

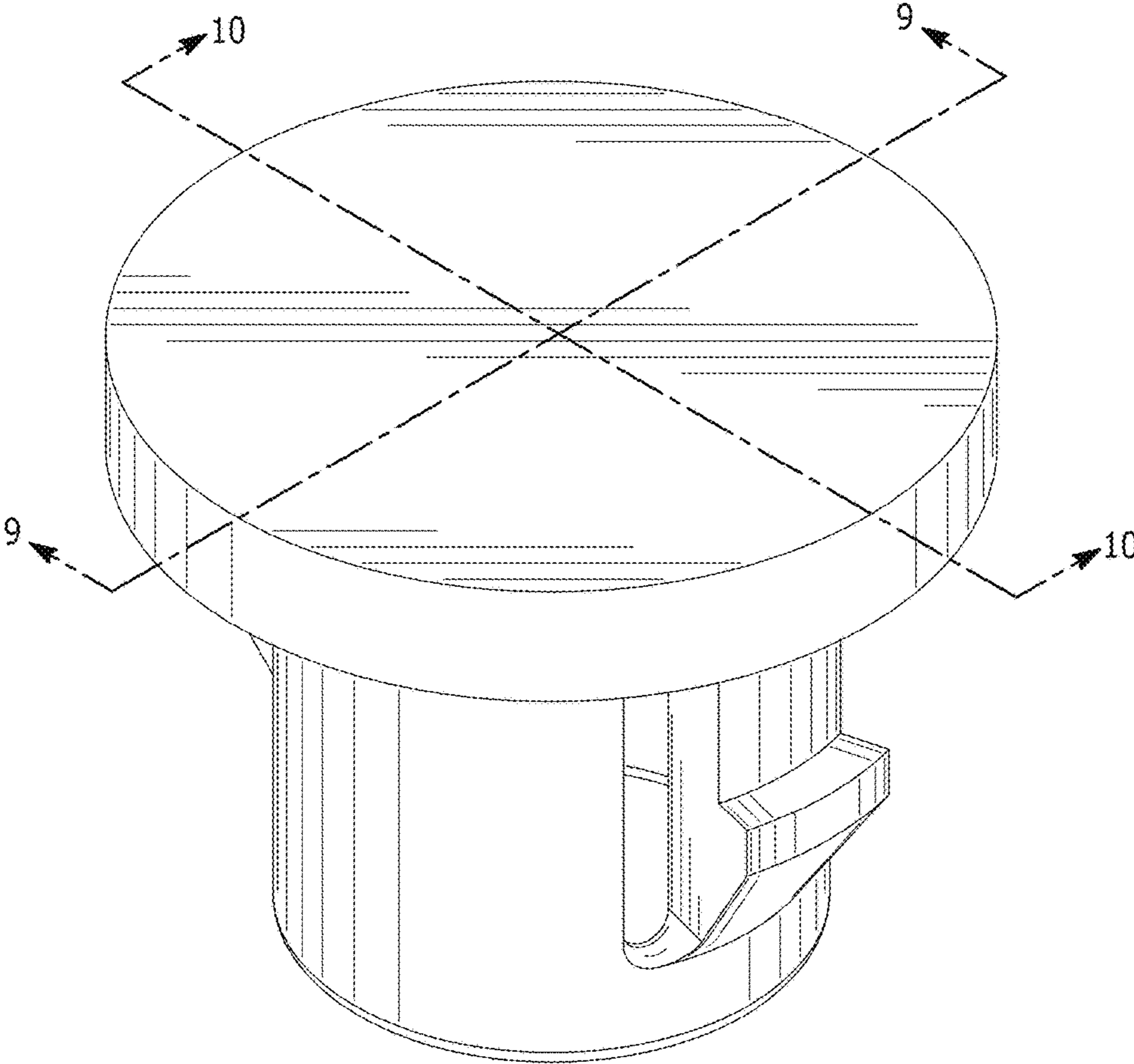


FIG. 1

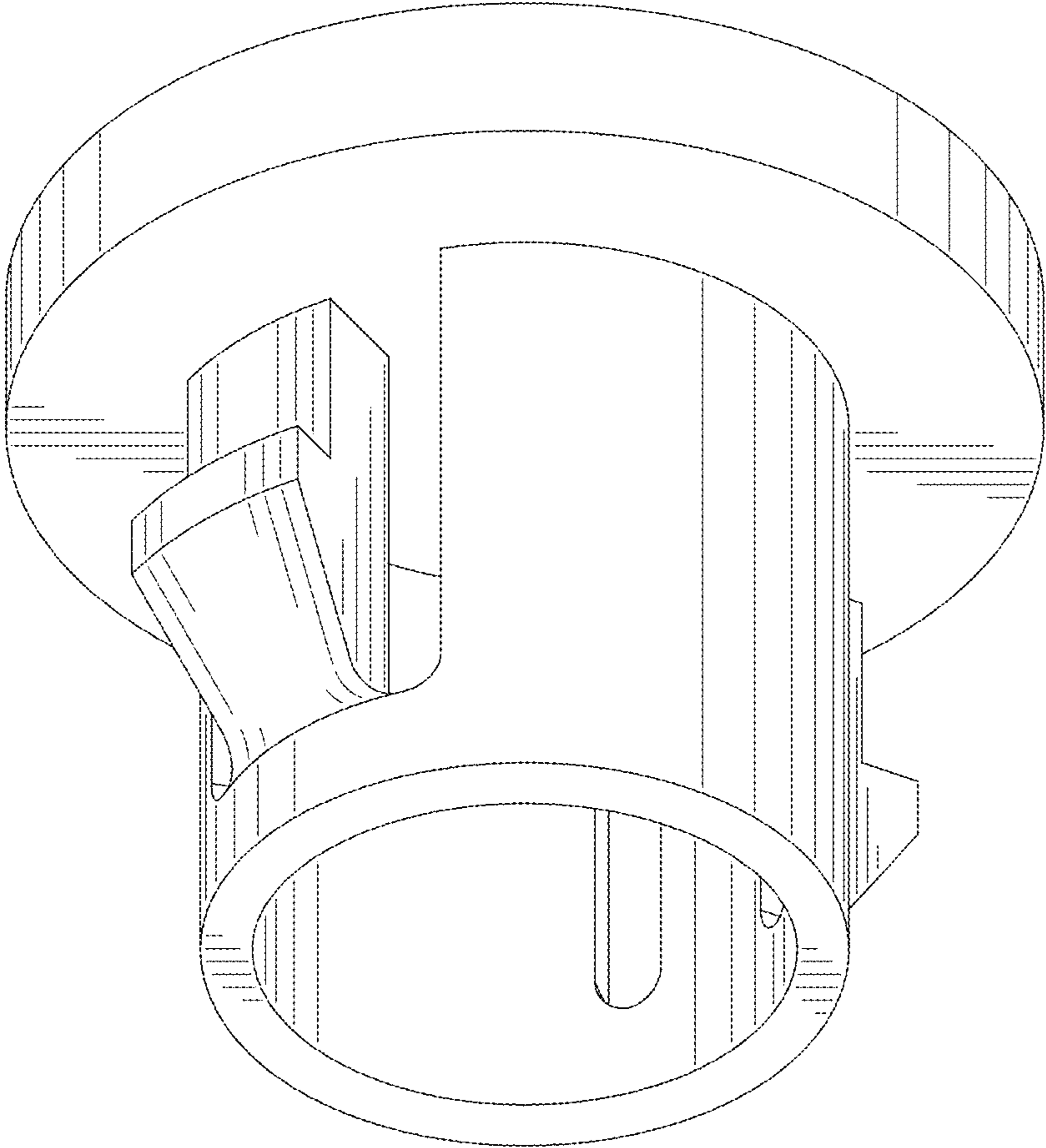


FIG. 2

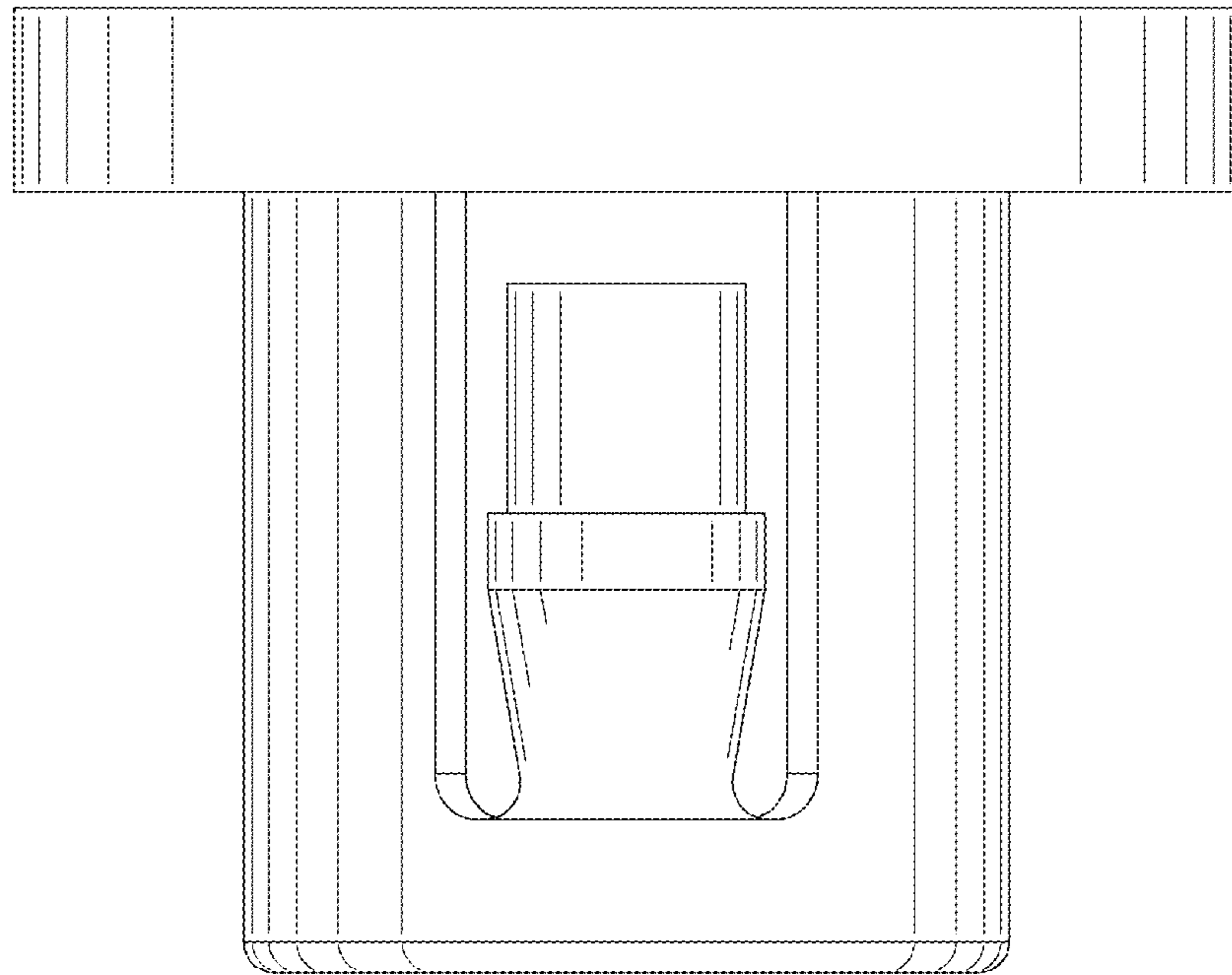


FIG. 3

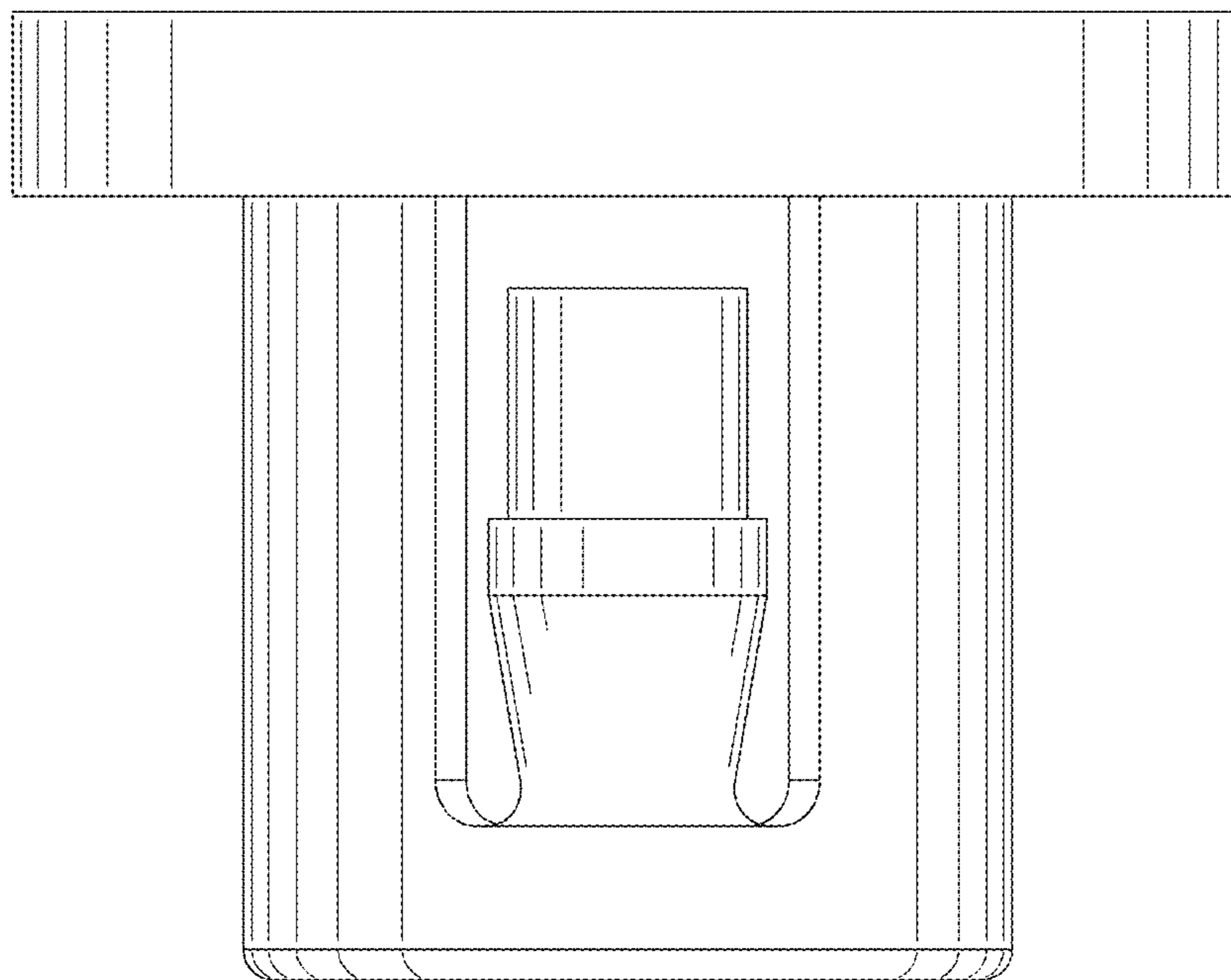


FIG. 4

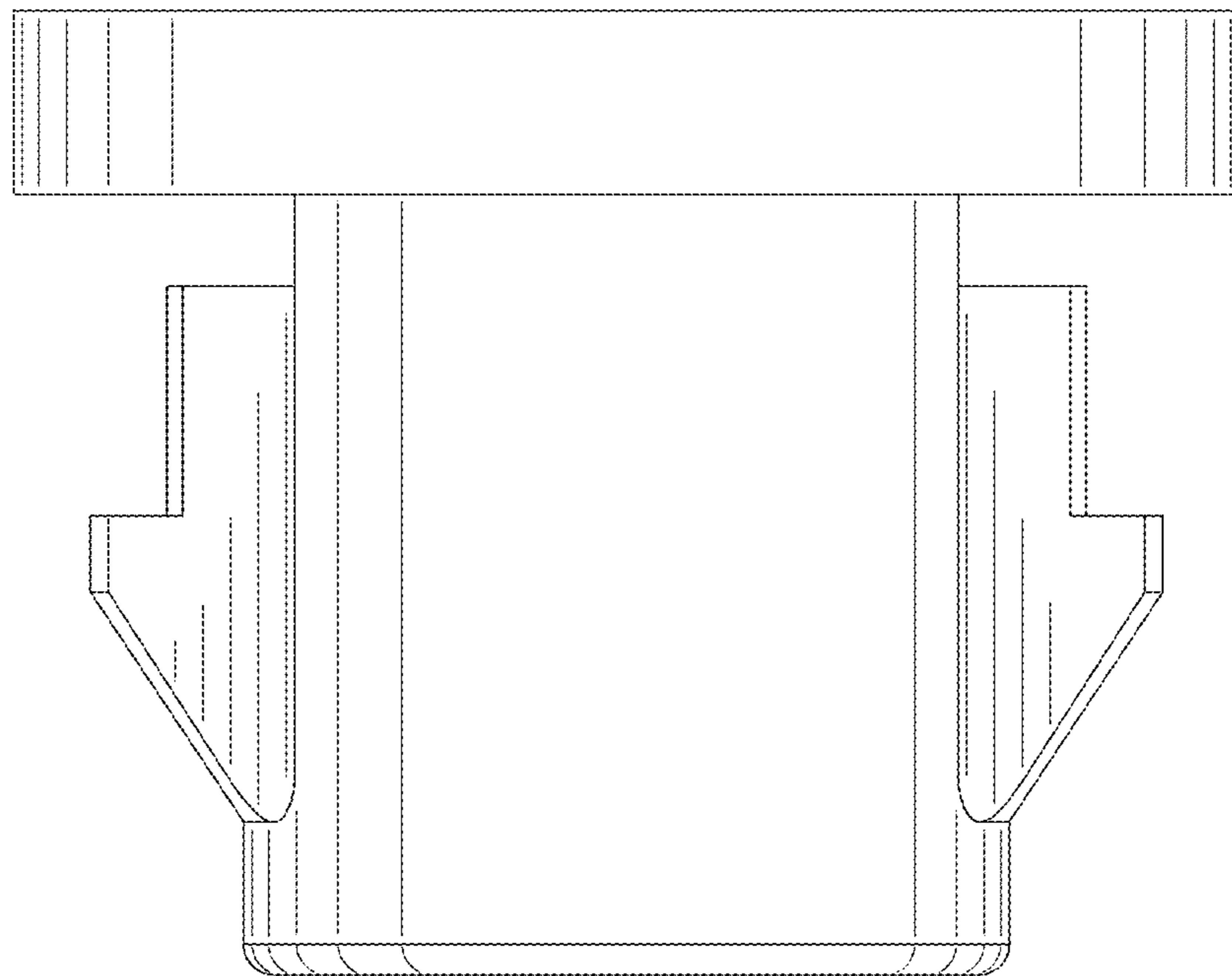


FIG. 5

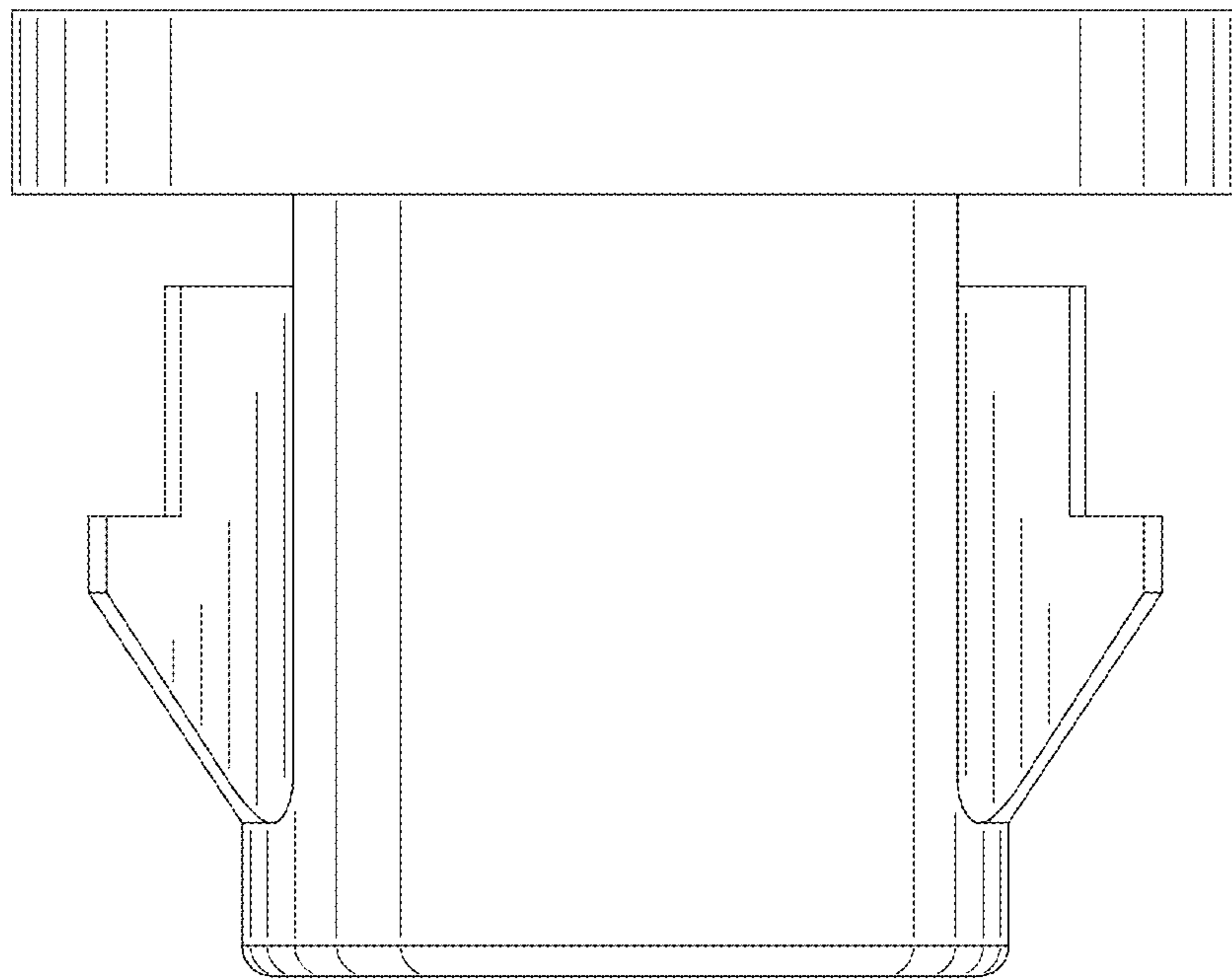


FIG. 6

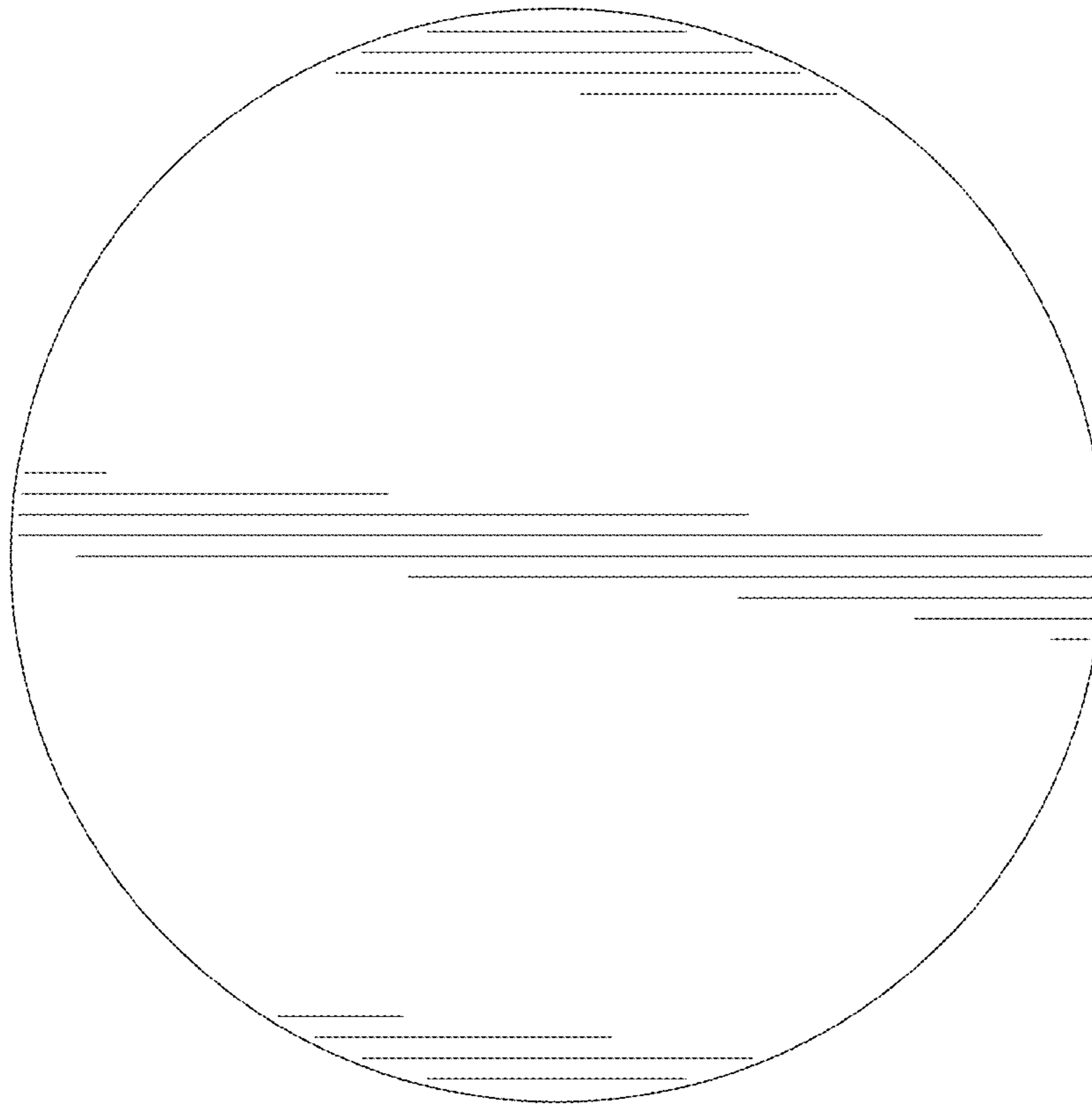


FIG. 7

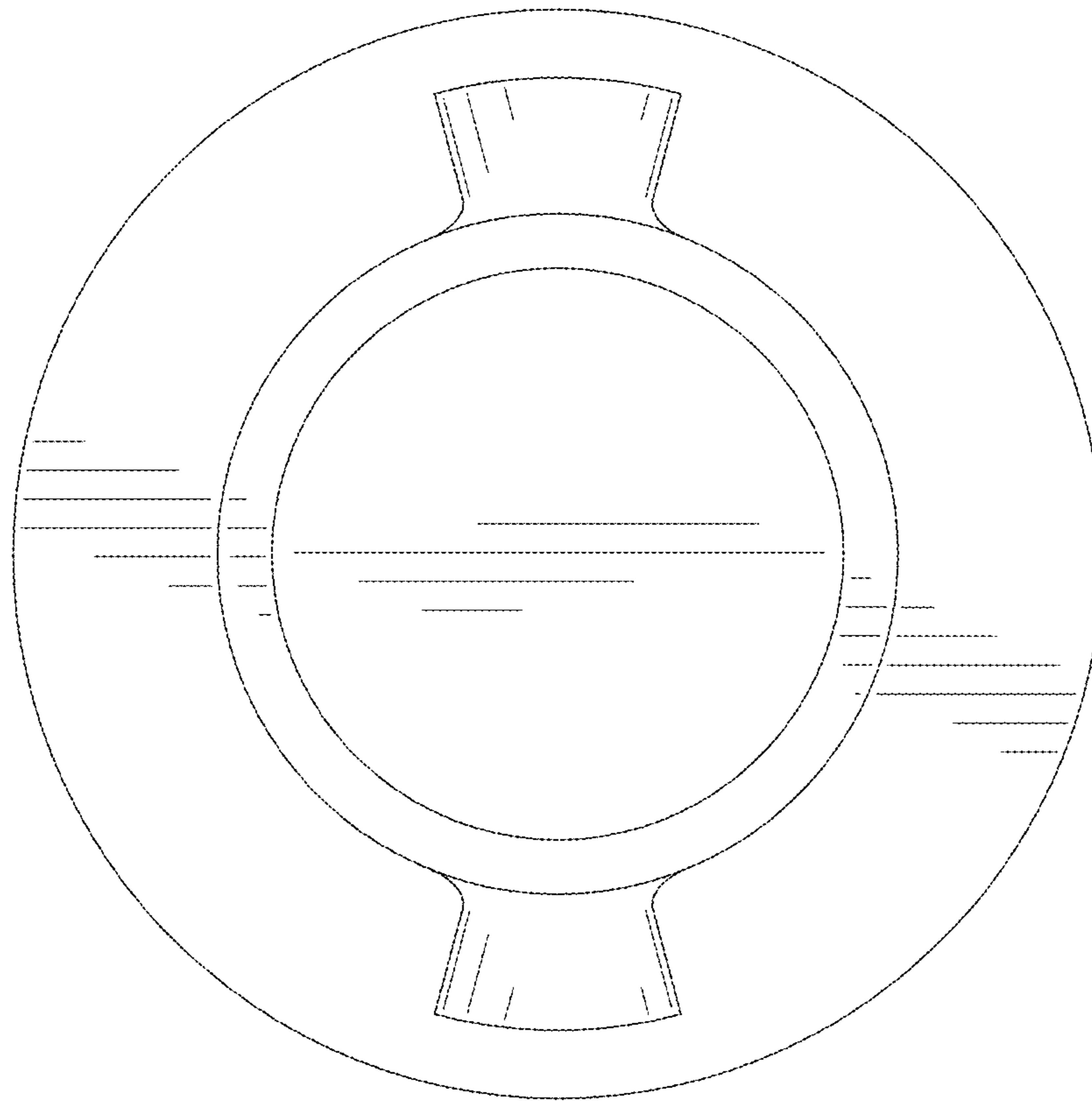


FIG. 8

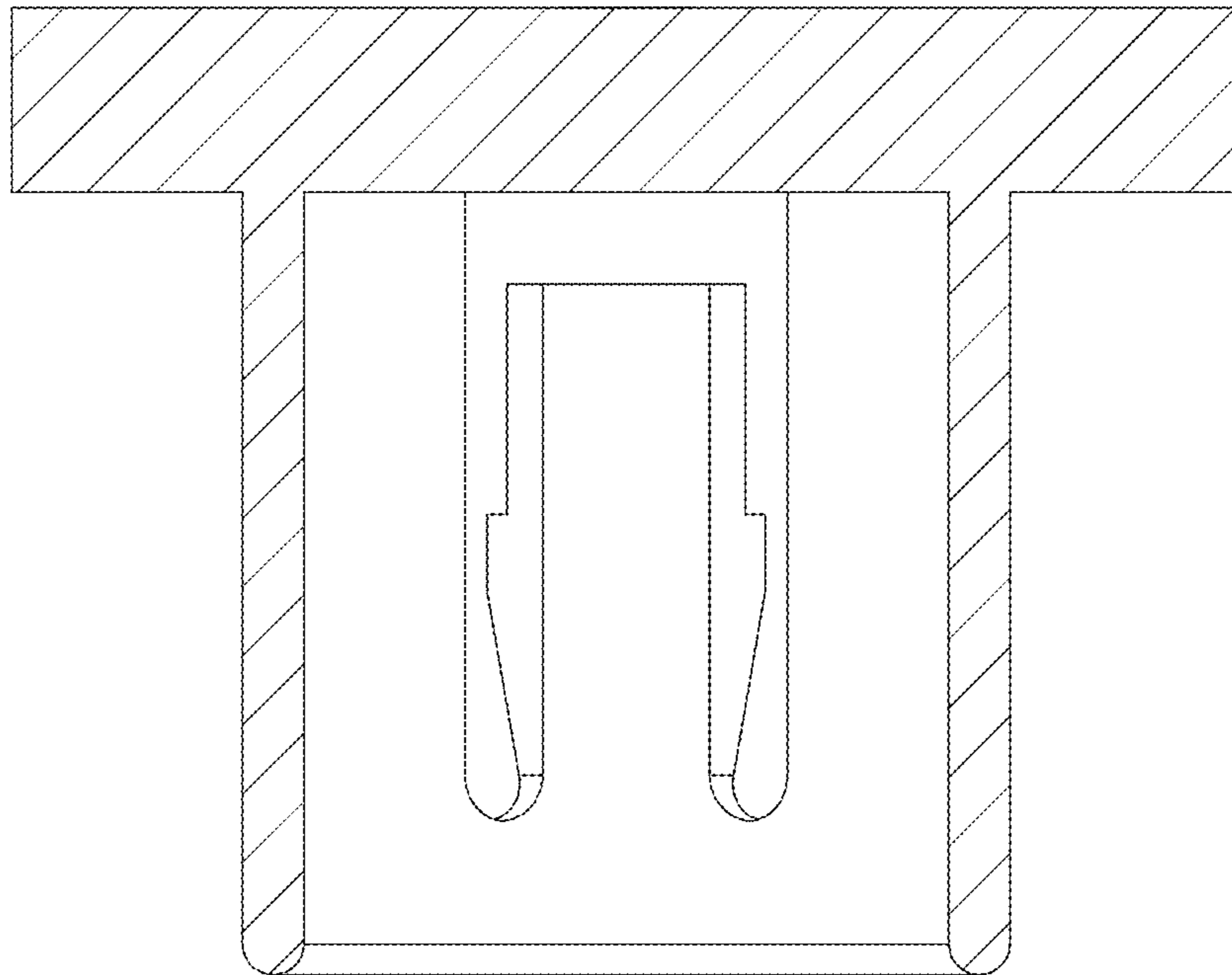


FIG. 9

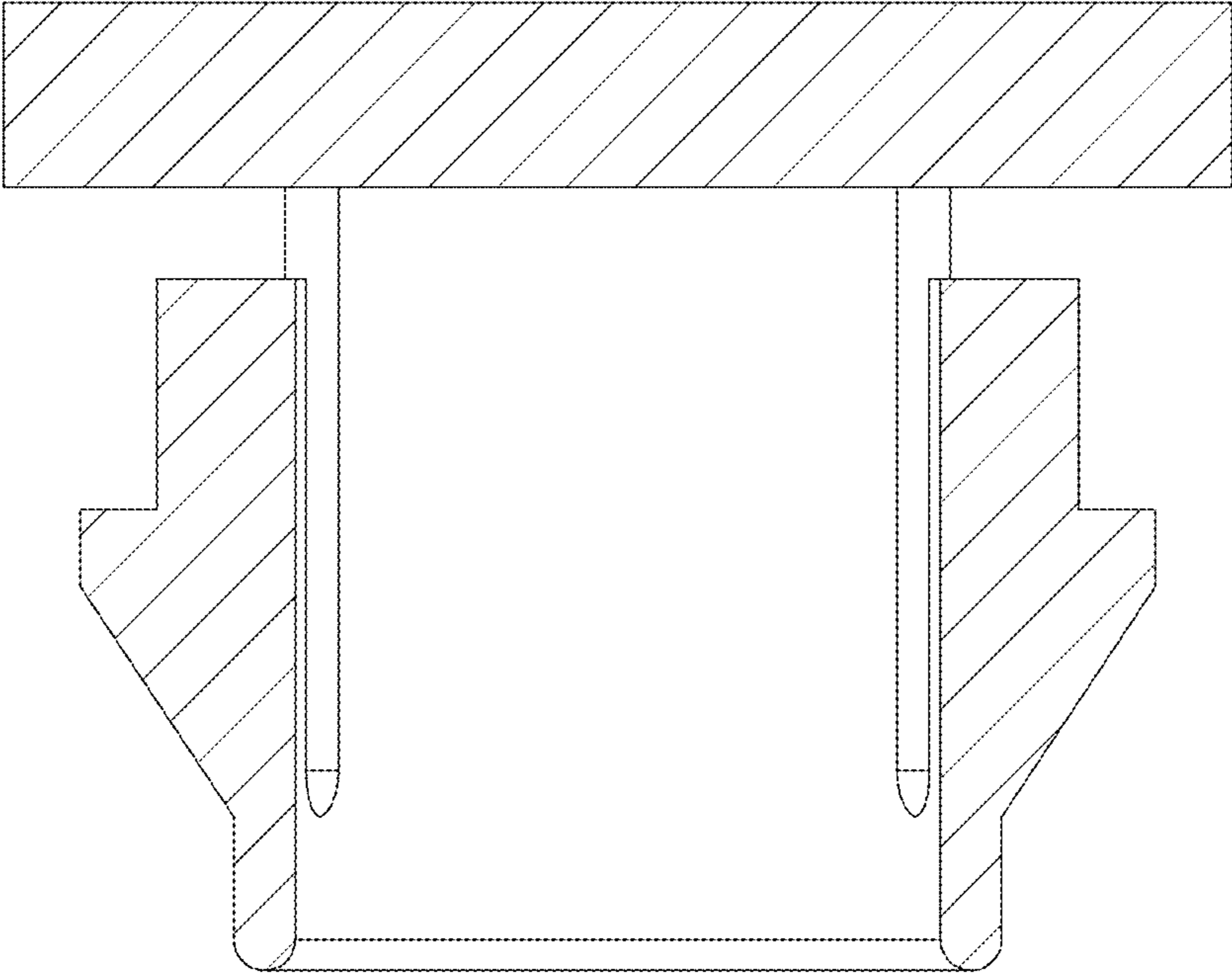


FIG. 10