



US00D824746S

(12) **United States Design Patent** (10) **Patent No.:** **US D824,746 S**
Lambertson et al. (45) **Date of Patent:** **** *Aug. 7, 2018**

(54) **EXTENSION POLE EXTENSION CONTROL HOUSING FOR A PAINT ROLLER**

- (71) Applicant: **The Sherwin-Williams Company**,
Cleveland, OH (US)
- (72) Inventors: **Michael C. Lambertson**, Aurora, OH (US); **Rita Forman-House**, Avon Lake, OH (US); **Dennis P. De Renzo**, Concord Township, OH (US); **Michael O'Banion**, West Minister, MD (US)
- (73) Assignee: **SWIMC, LLC**, Cleveland, OH (US)

(*) Notice: This patent is subject to a terminal disclaimer.

(**) Term: **14 Years**

(21) Appl. No.: **29/506,455**

(22) Filed: **Oct. 15, 2014**

(51) **LOC (11) Cl.** **08-02**

(52) **U.S. Cl.**
USPC **D8/339**

(58) **Field of Classification Search**
USPC D8/107, 331, 339, 341, 342, 382
CPC E16B 7/1427; B25G 1/04; B25G 3/18; F16B 7/105; Y10T 16/473
See application file for complete search history.

(56) **References Cited**

U.S. PATENT DOCUMENTS

2,517,700	A	9/1948	Odin
2,871,044	A	10/1957	Peterson et al.
2,942,900	A	4/1959	Brucker
2,992,026	A	4/1959	Farber
3,596,946	A	8/1971	Burton et al.
3,762,058	A	10/1973	Heater
4,464,078	A	8/1984	Vorobyov

(Continued)

OTHER PUBLICATIONS

International Search Report for corresponding International Application No. PCT/US2014/025439 dated Jul. 23, 2014.

(Continued)

Primary Examiner — Phillip S Hyder

(74) *Attorney, Agent, or Firm* — Daniel A. Sherwin; Roger D. Emerson; Emerson, Thomson & Bennett, LLC

(57) **CLAIM**

The ornamental design for an extension pole extension control housing for a paint roller, as shown and described.

DESCRIPTION

FIG. 1 is a side perspective view of an extension pole extension control housing for a paint roller;

FIG. 2 is an exploded view of the extension pole extension control housing for a paint roller;

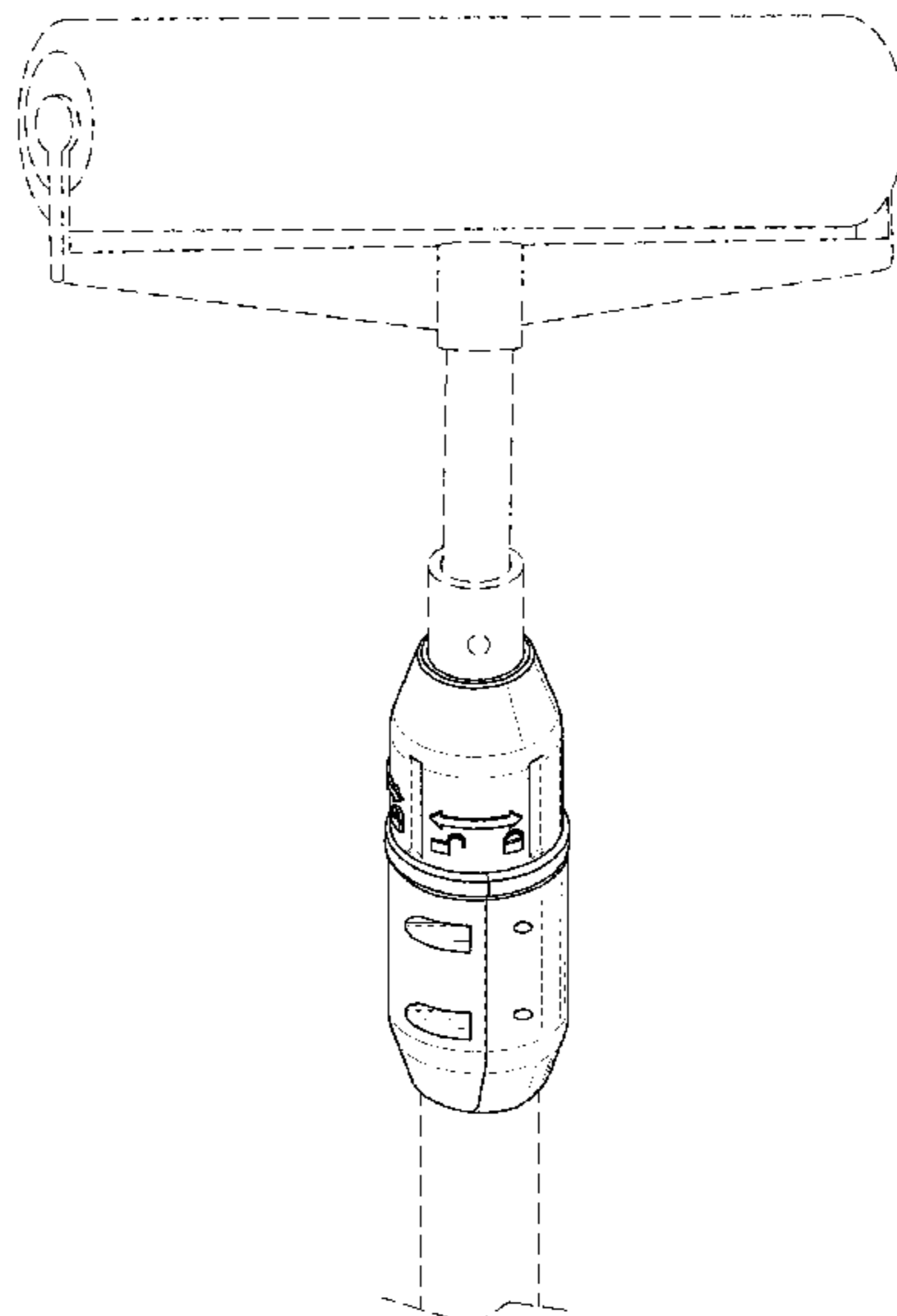
FIG. 3 is a back view of a first half of the lower housing portion for the extension pole extension control housing for a paint roller as shown in the lower right corner of FIG. 2; FIG. 4 is a perspective view of a second half of the lower housing portion for the extension pole extension control housing for a paint roller as shown in the lower left corner of FIG. 2;

FIG. 5 is perspective view of the second half of the lower housing portion for the extension pole extension control housing for a paint roller rotated at a different angle from that which is shown within FIG. 4; and,

FIG. 6 is a perspective view of an end cap shown in FIG. 2 for the extension pole extension control housing for a paint roller.

The broken lines depict portions of the extension pole extension control housing for a paint roller in which the design is embodied that are not considered part of the claimed design. The broken line showing of the paint roller is provided for purposes of environment and forms no part of the claimed design.

1 Claim, 6 Drawing Sheets



(56)

References Cited

U.S. PATENT DOCUMENTS

4,662,771 A 5/1987 Roe et al.
D354,554 S * 1/1995 Newman, Sr. D23/266
5,836,620 A * 11/1998 Wang F16L 27/12
285/302
5,983,455 A * 11/1999 Polzin B05C 17/0205
15/144.4
6,311,368 B1 11/2001 Sartori
6,461,074 B2 * 10/2002 Taylor B25G 1/04
15/144.4
6,464,074 B1 10/2002 Taylor
D466,389 S * 12/2002 Clivio D8/1
6,874,201 B2 4/2005 Ta et al.
D518,350 S * 4/2006 Hay D8/1
D519,820 S * 5/2006 Newman D8/1
D538,133 S * 3/2007 Richardson D8/339
7,637,684 B2 * 12/2009 Tims F16B 7/1427
403/109.5
D649,862 S * 12/2011 Arvinte D8/339
D736,600 S * 8/2015 Rossano D8/355
2006/0218752 A1 * 10/2006 Potempa B05C 17/0205
16/429
2008/0276429 A1 * 11/2008 Bukovitz B25G 3/14
16/429

OTHER PUBLICATIONS

International Preliminary Report on Patentability for corresponding
International Patent Application No. PCT/US14/25439 dated Feb.
19, 2015.

* cited by examiner

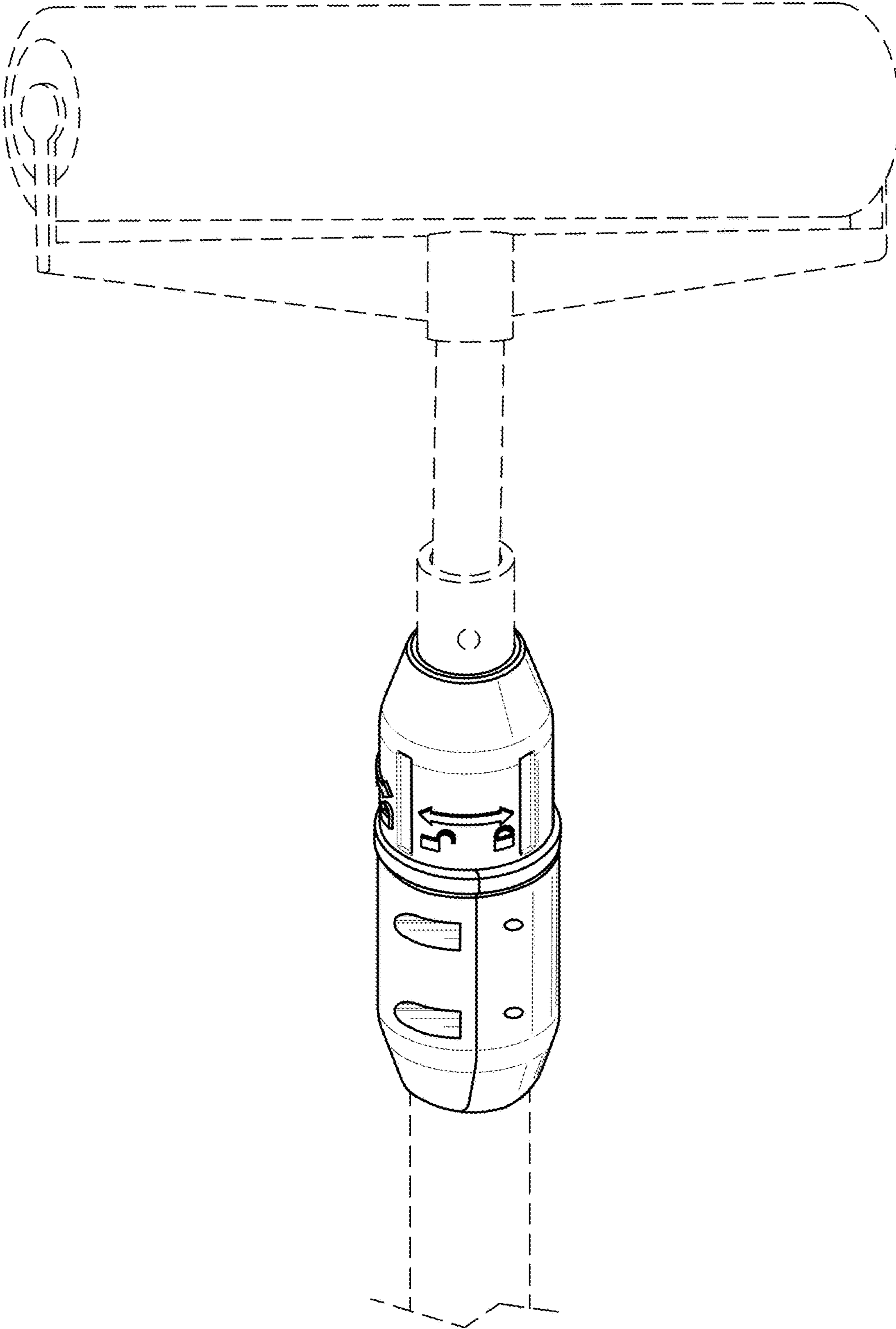


FIG. 1

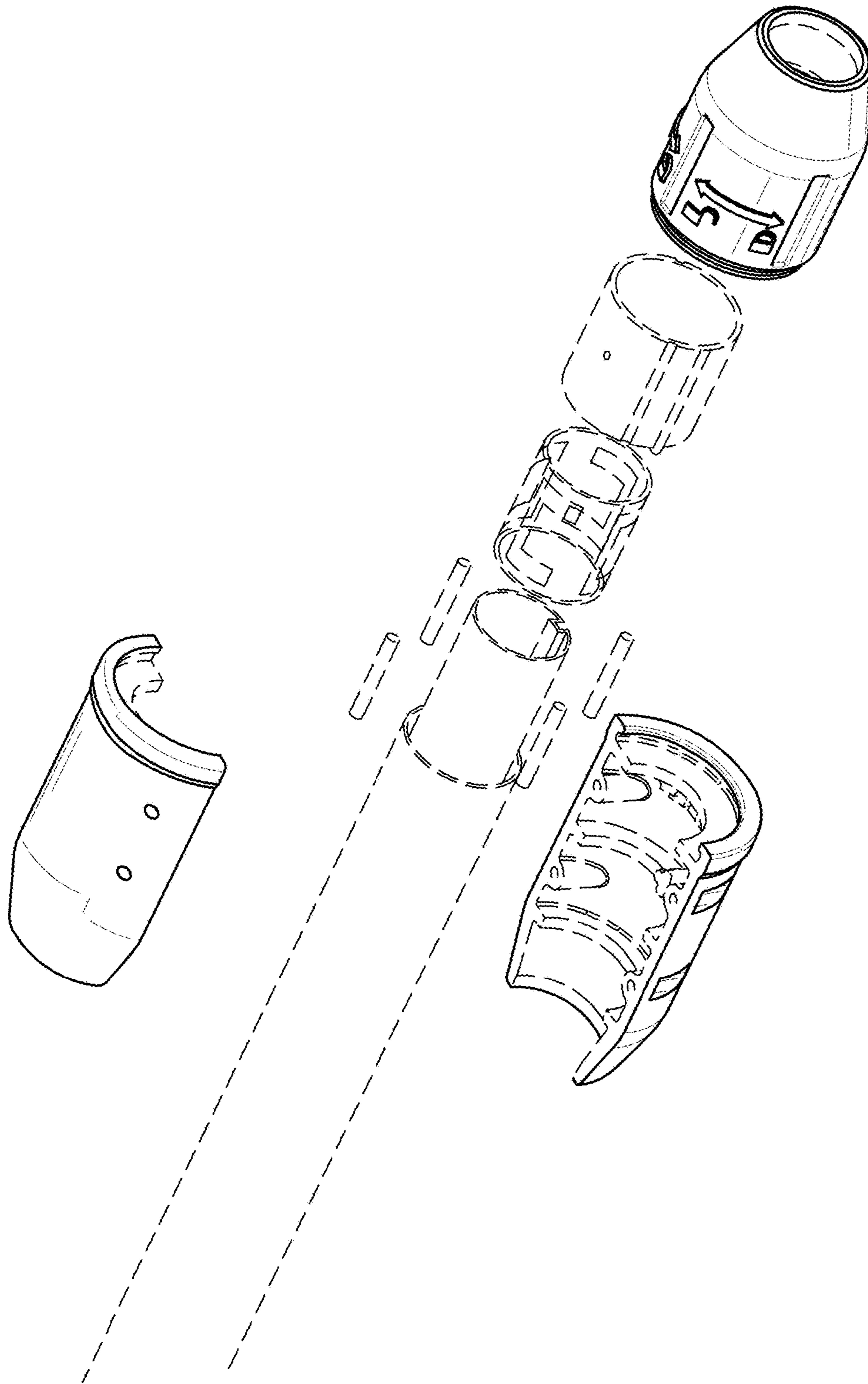


FIG. 2

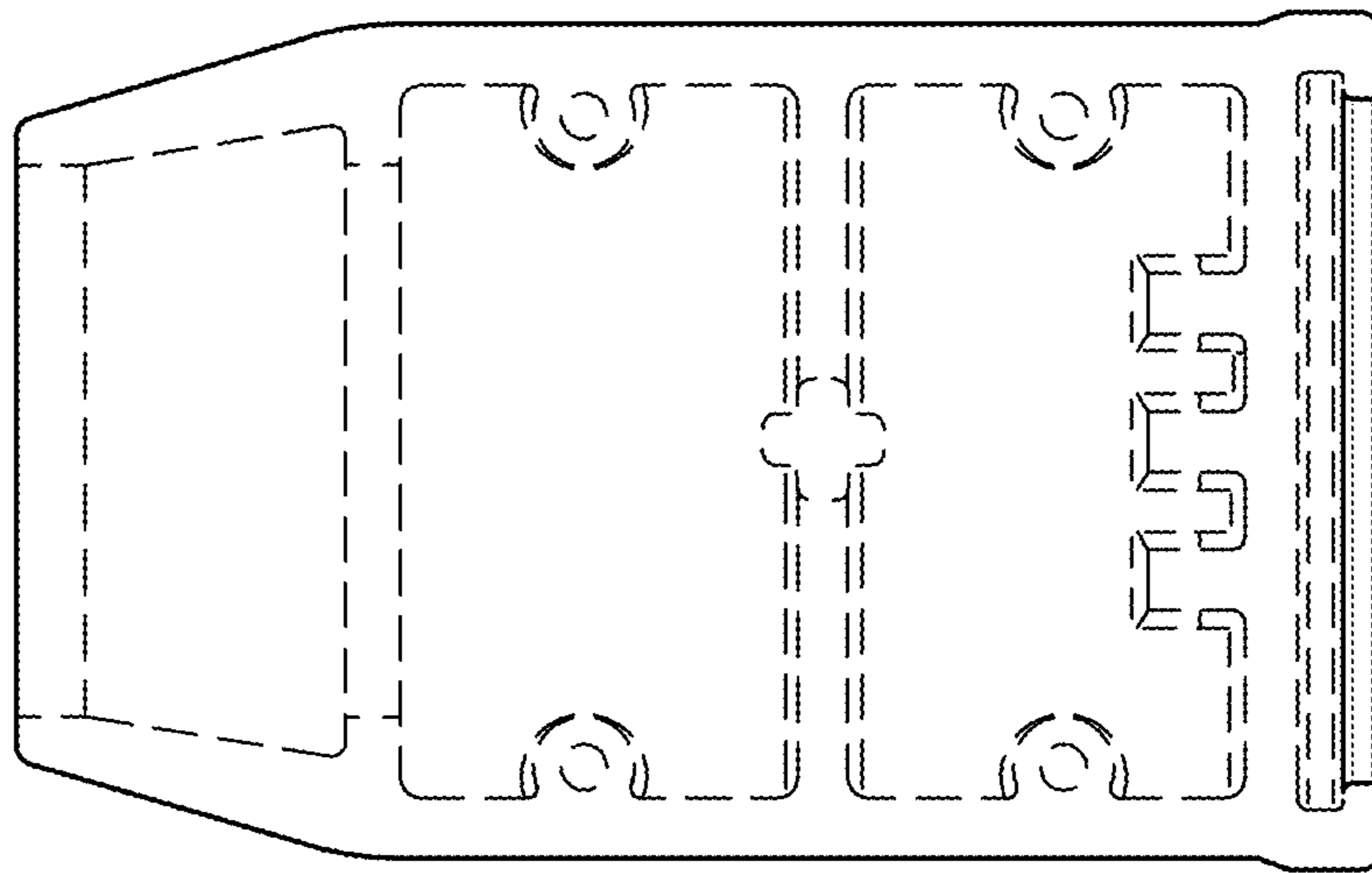


FIG. 3

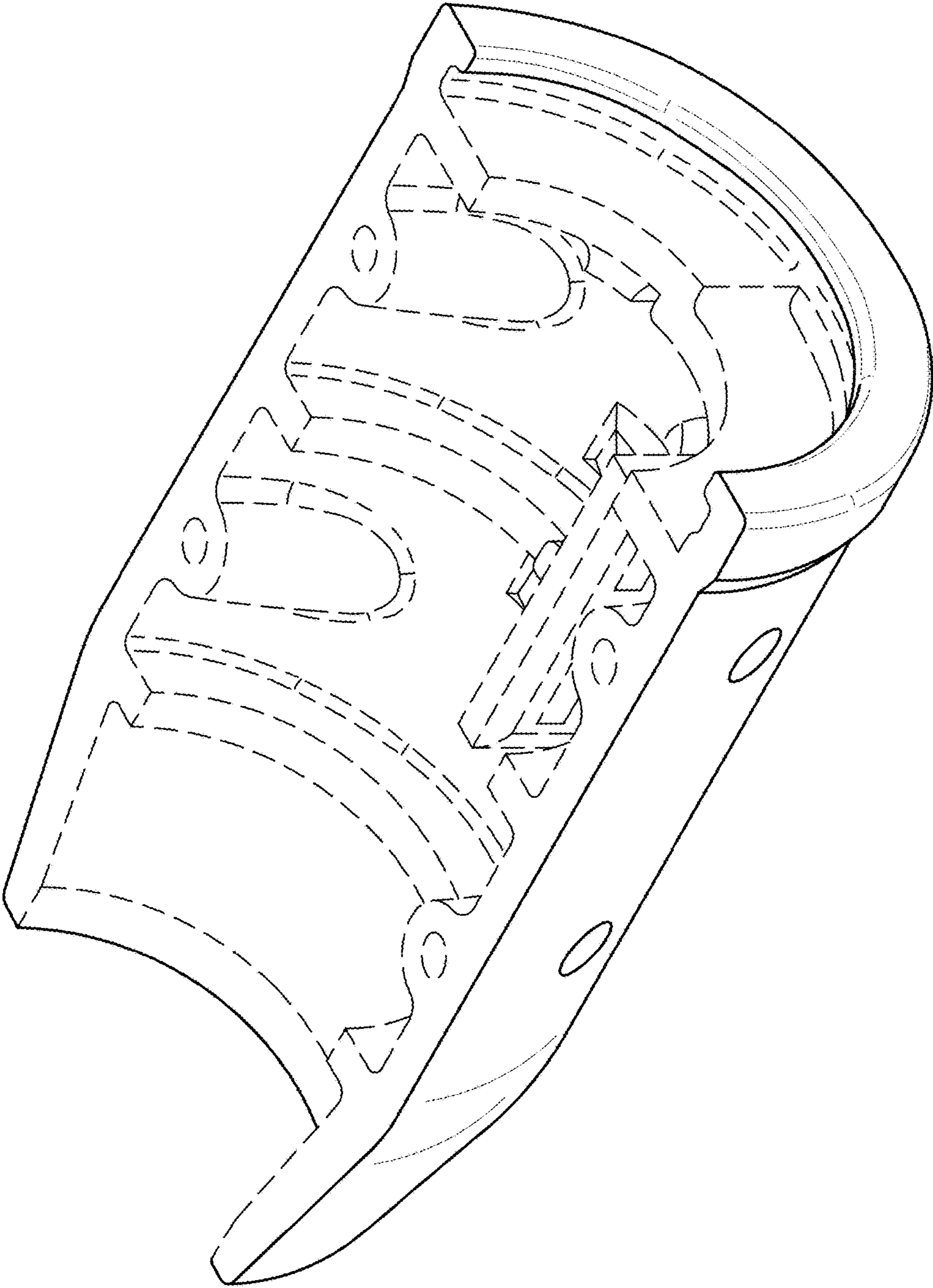


FIG. 4

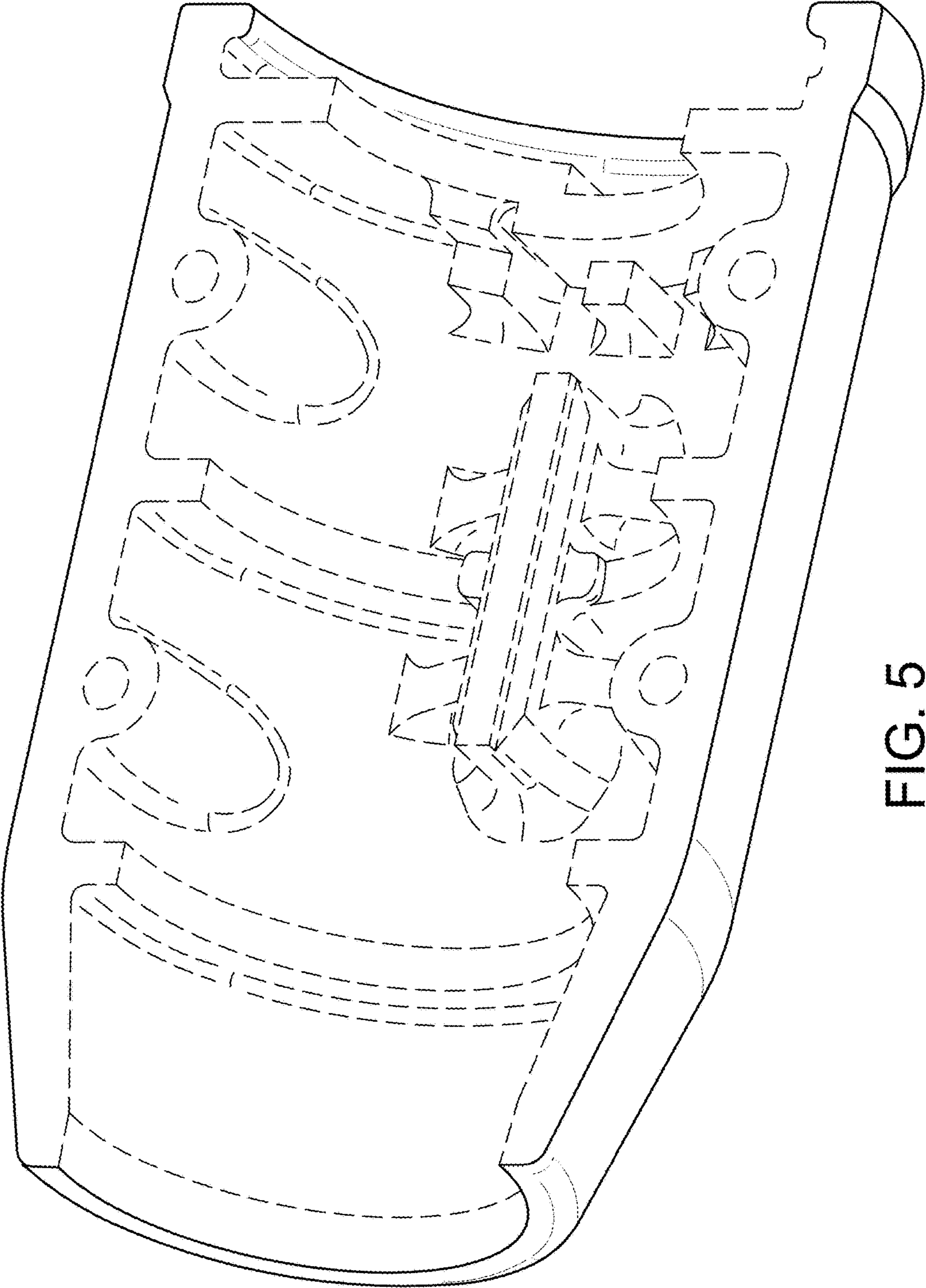


FIG. 5

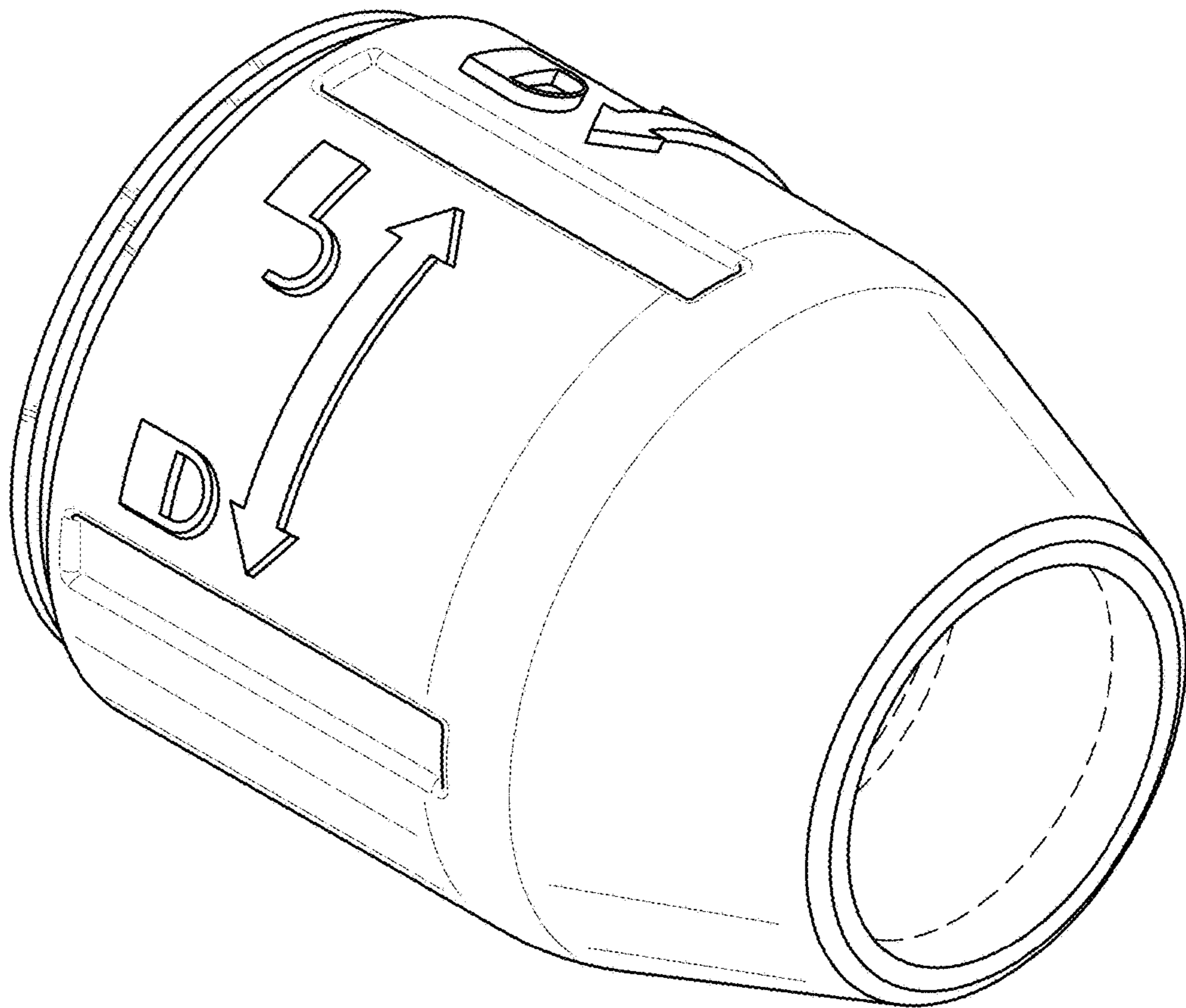


FIG. 6