



US00D824744S

(12) **United States Design Patent**
Ortner

(10) **Patent No.:** **US D824,744 S**

(45) **Date of Patent:** **** Aug. 7, 2018**

(54) **KNOB**

(71) Applicant: **Electrolux Home Products, Inc.**,
Charlotte, NC (US)

(72) Inventor: **Matthew Ortner**, Charlotte, NC (US)

(73) Assignee: **Electrolux Home Products, Inc.**,
Charlotte, NC (US)

(**) Term: **15 Years**

(21) Appl. No.: **29/593,031**

(22) Filed: **Feb. 6, 2017**

(51) **LOC (11) Cl.** **08-06**

(52) **U.S. Cl.**
USPC **D8/311**

(58) **Field of Classification Search**
USPC D8/107, 300, 301, 307, 310, 311, 312;
D10/102; D23/250, 421; D7/393, 394,
D7/396, 543, 545, 547, 548; D13/174
CPC ... Y10T 292/57; Y10T 292/82; Y10T 16/469;
Y10T 16/44; Y10T 16/476; Y10T
74/2084; Y10T 292/85; Y10T 74/2087;
Y10T 16/4713; Y10T 16/506; Y10T
74/20876; Y10T 74/20612; Y10T
70/5765; Y10T 16/459; Y10T 74/2066;
Y10T 16/487; Y10T 74/20822

See application file for complete search history.

(56) **References Cited**

U.S. PATENT DOCUMENTS

D207,489 S * 4/1967 Collins D8/311
D225,204 S * 11/1972 Kendrick D8/311
D349,101 S * 7/1994 Schaeffer D13/158
6,767,104 B2 * 7/2004 Worrell H01H 19/025
362/23.19
D498,657 S 11/2004 Milrud et al.
D511,669 S * 11/2005 Milner D8/300

D521,314 S * 5/2006 Ball D7/393
7,171,727 B2 * 2/2007 Wylie F24C 7/082
16/441
D559,206 S * 1/2008 Neveu D13/174
D567,060 S 4/2008 Busalt et al.
D577,538 S * 9/2008 Suh D7/393
D612,704 S 3/2010 Funnell et al.
D612,705 S * 3/2010 Baker D8/311
D628,457 S 12/2010 Bengtson
D634,156 S 3/2011 Fuller et al.
D642,042 S * 7/2011 Kim D8/311
D703,998 S 5/2014 Funnell, II et al.
D762,593 S * 8/2016 Oneufer D13/174
D766,697 S 9/2016 Vergin
D766,698 S 9/2016 Vergin
D775,493 S * 1/2017 Funnell, II D7/406
D786,345 S * 5/2017 Kimura D18/56

(Continued)

FOREIGN PATENT DOCUMENTS

CA 130016 A 1/2010
CA 137425 A 7/2011

(Continued)

Primary Examiner — Lauren R Calve

(74) *Attorney, Agent, or Firm* — Banner & Witcoff, Ltd.

(57) **CLAIM**

The ornamental design for a knob, as shown and described.

DESCRIPTION

FIG. 1 is a front perspective view of a knob showing my new design;

FIG. 2 is a front view thereof;

FIG. 3 is a bottom view thereof;

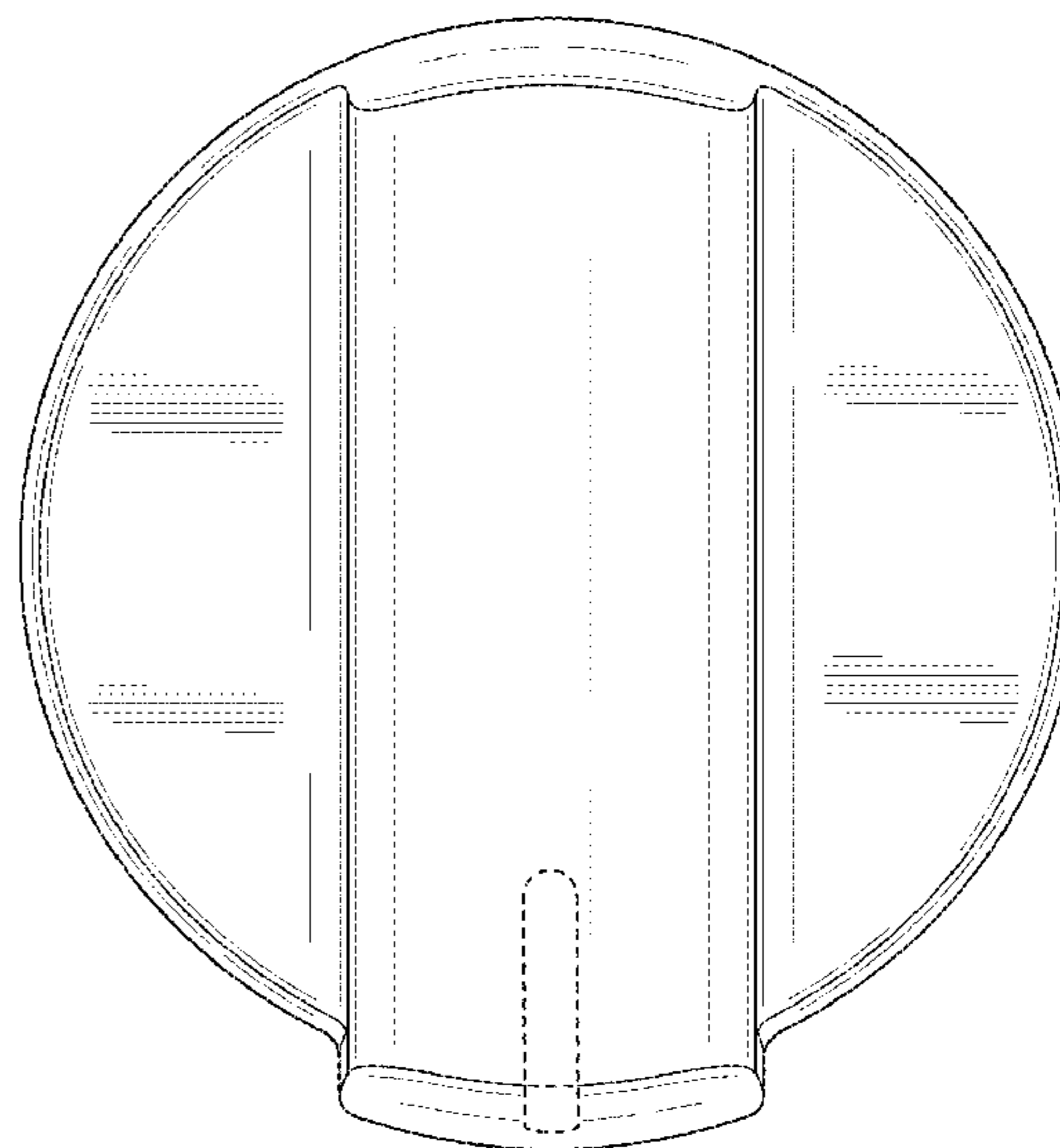
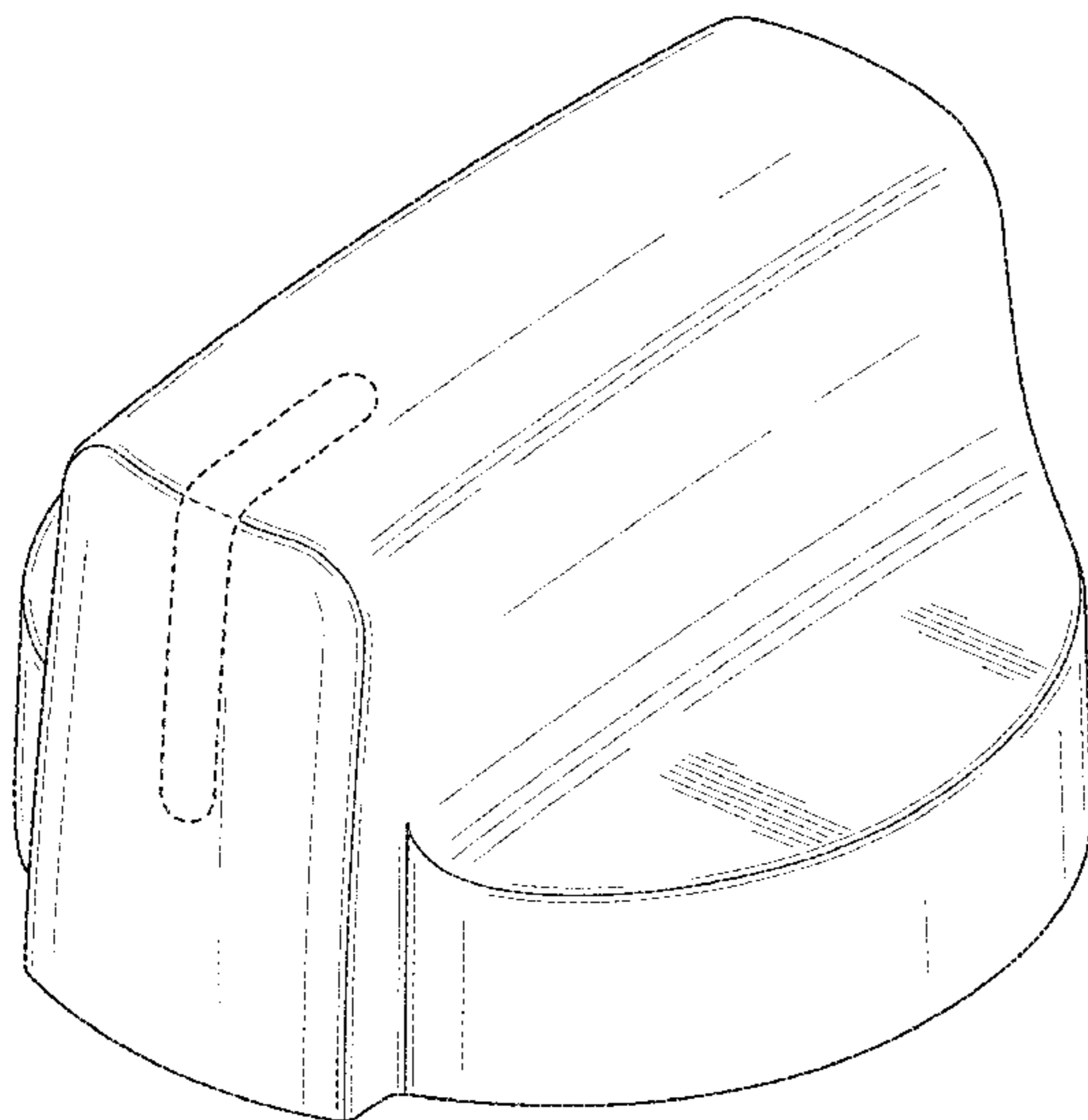
FIG. 4 is a top view thereof;

FIG. 5 is a right side view thereof; and,

FIG. 6 is a left side view thereof.

The broken lines shown represent unclaimed subject matter and form no part of the claimed design.

1 Claim, 4 Drawing Sheets



(56)

References Cited

U.S. PATENT DOCUMENTS

D790,273 S * 6/2017 Vergin D7/406
2004/0107545 A1* 6/2004 Worrell G05G 1/10
16/441
2015/0221458 A1* 8/2015 Oneufer H01H 9/223
200/43.15

FOREIGN PATENT DOCUMENTS

CN 301964933 6/2012
CN 303435737 11/2015

* cited by examiner

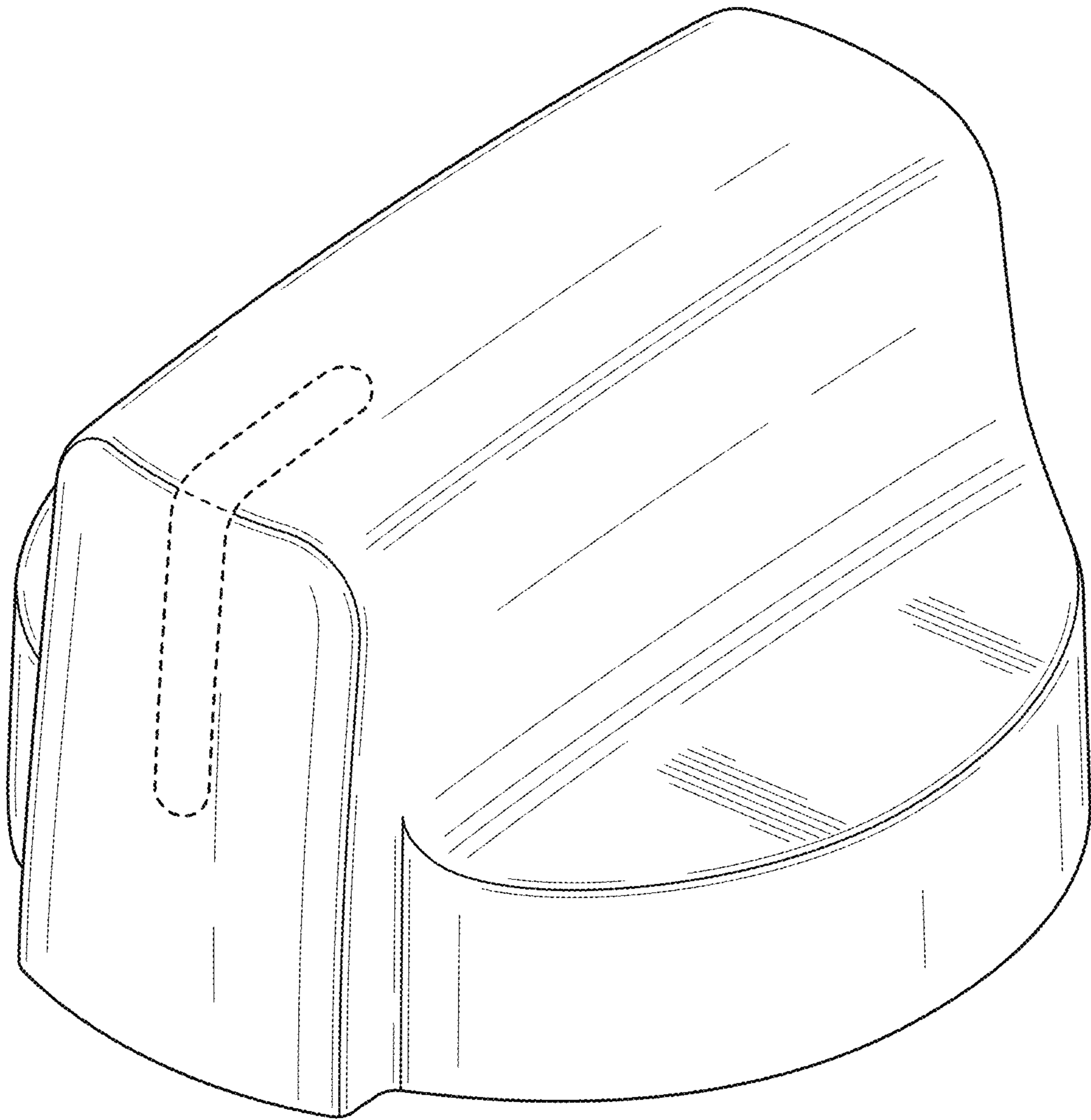


FIG. 1

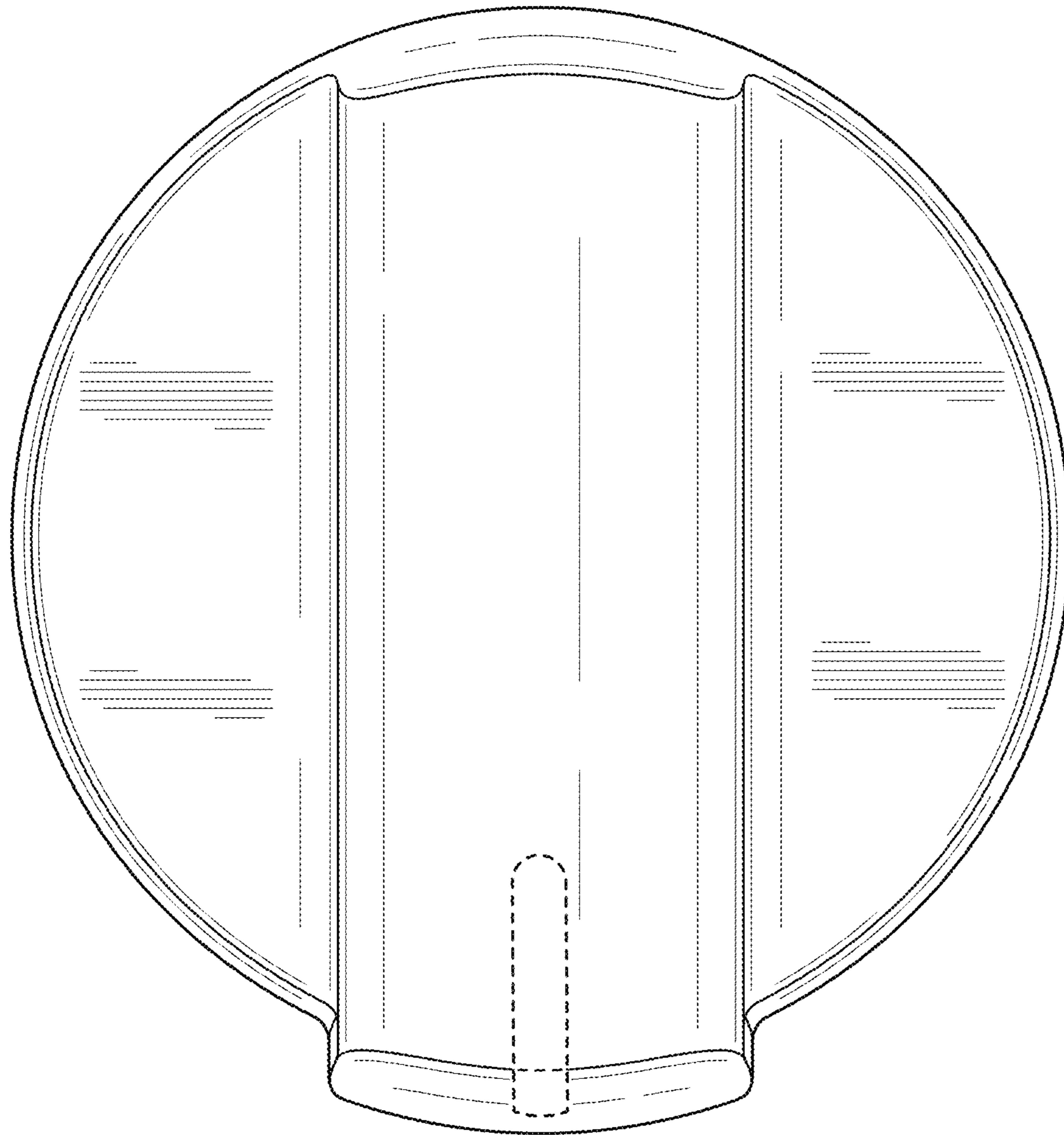


FIG. 2

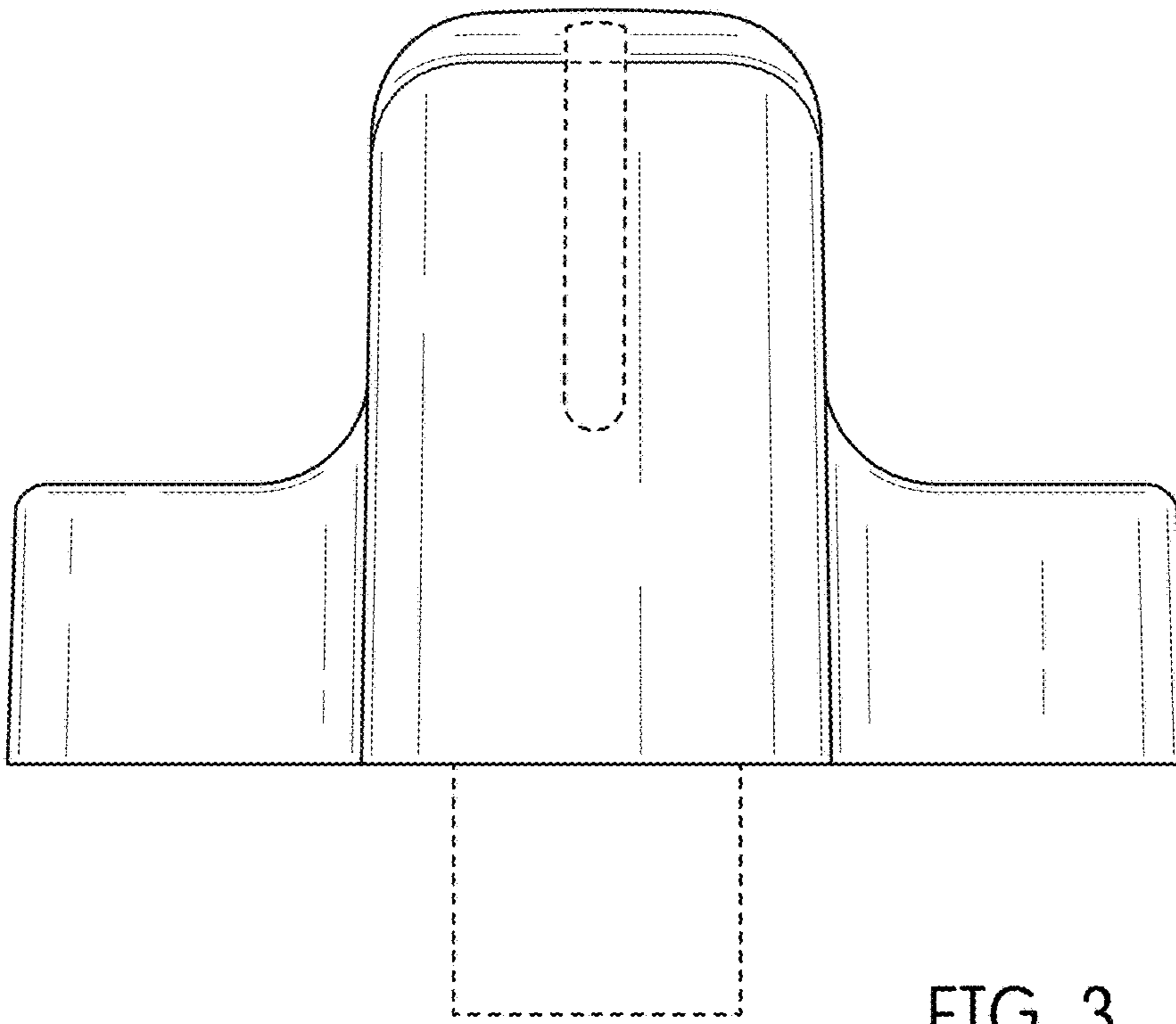


FIG. 3

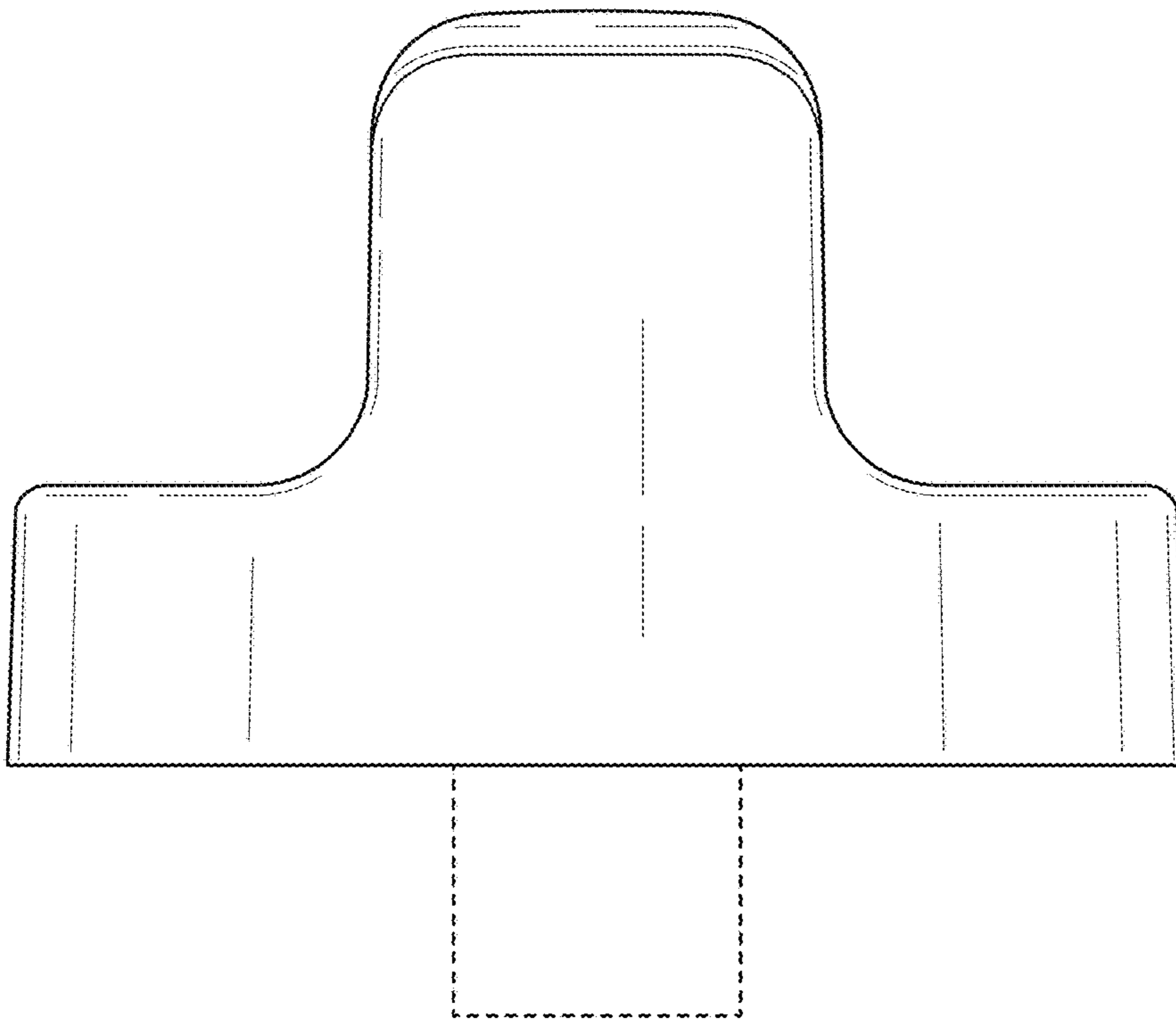


FIG. 4

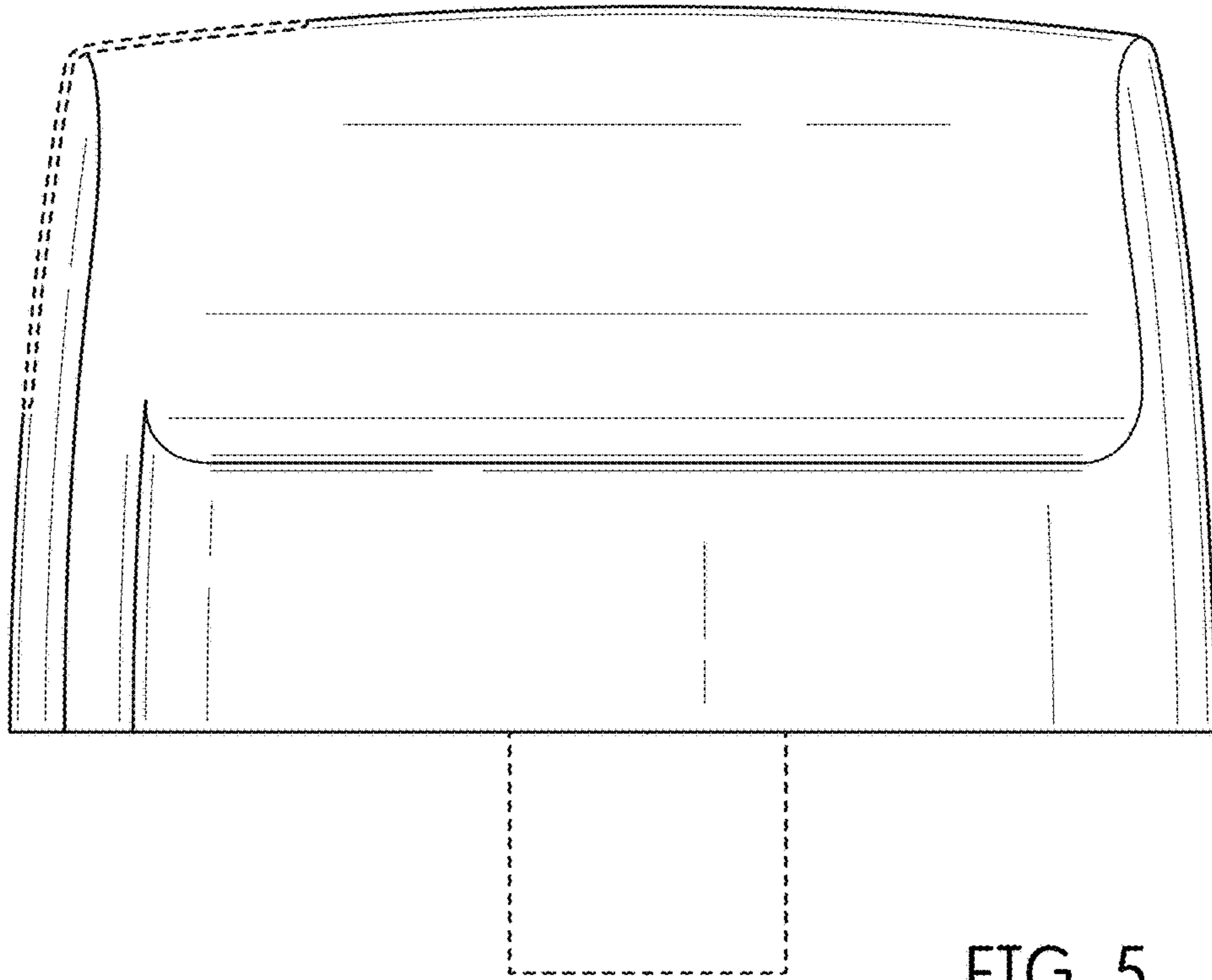


FIG. 5

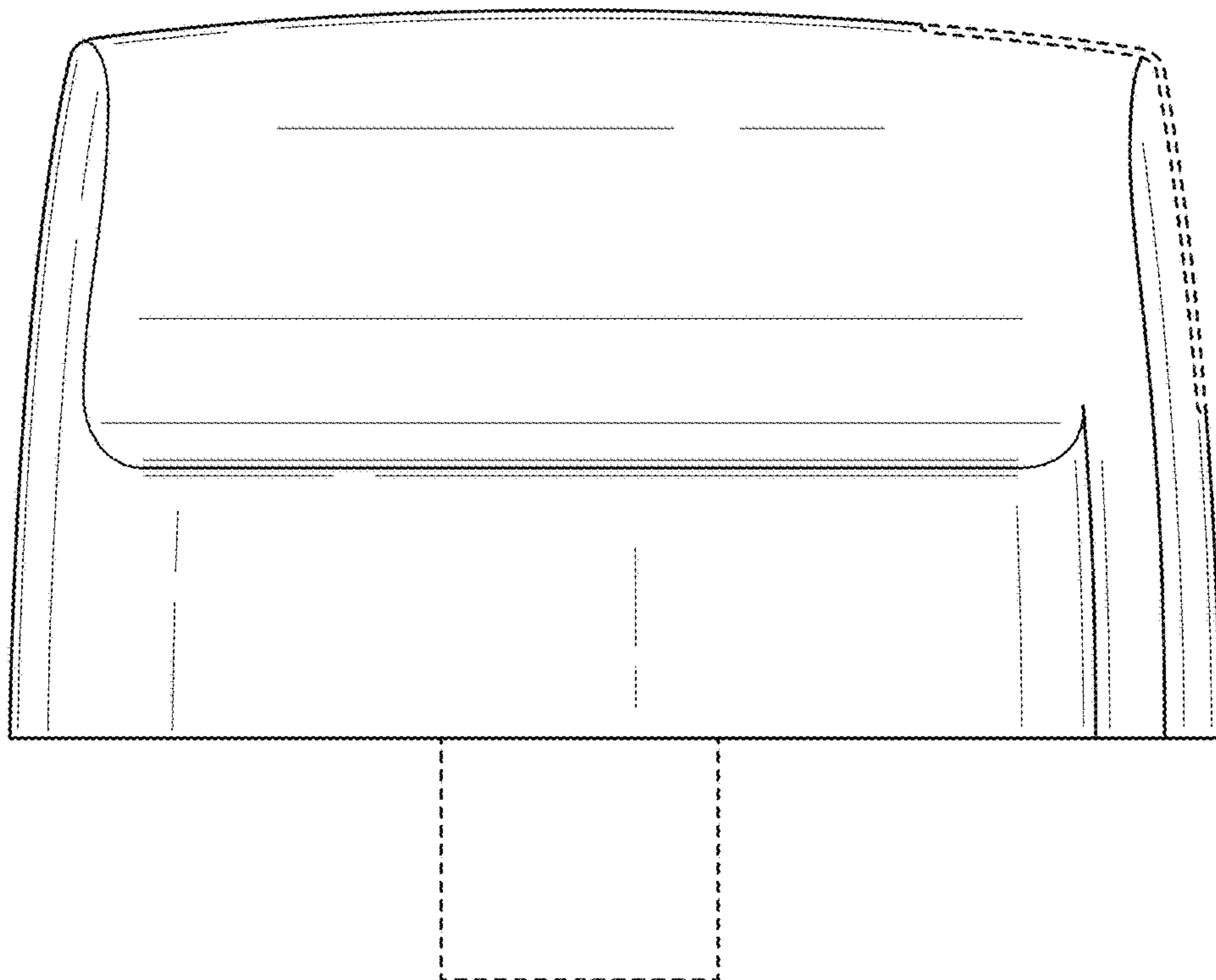


FIG. 6